

[54] TOY HELICOPTER

[76] Inventor: James F. Mariol, 481 Dean View Dr., Cincinnati, Ohio 45224

[**] Term: 14 Years

[21] Appl. No.: 528,613

[22] Filed: Sep. 1, 1983

[52] U.S. Cl. D21/85

[58] Field of Search D21/85, 90; 446/36, 446/37, 38, 34, 56

D. 258,671 3/1981 Sase D21/85
2,937,473 5/1960 Vlachos D21/90

Primary Examiner—Charles A. Rademaker
Attorney, Agent, or Firm—Wood, Herron & Evans

[57] CLAIM

The ornamental design for a toy helicopter, as shown and described.

DESCRIPTION

FIG. 1 is a side elevational view of a toy helicopter showing my new design, the opposite side of which is a mirror image thereof.

FIG. 2 is a front elevational view thereof.

FIG. 3 is a top plan view thereof.

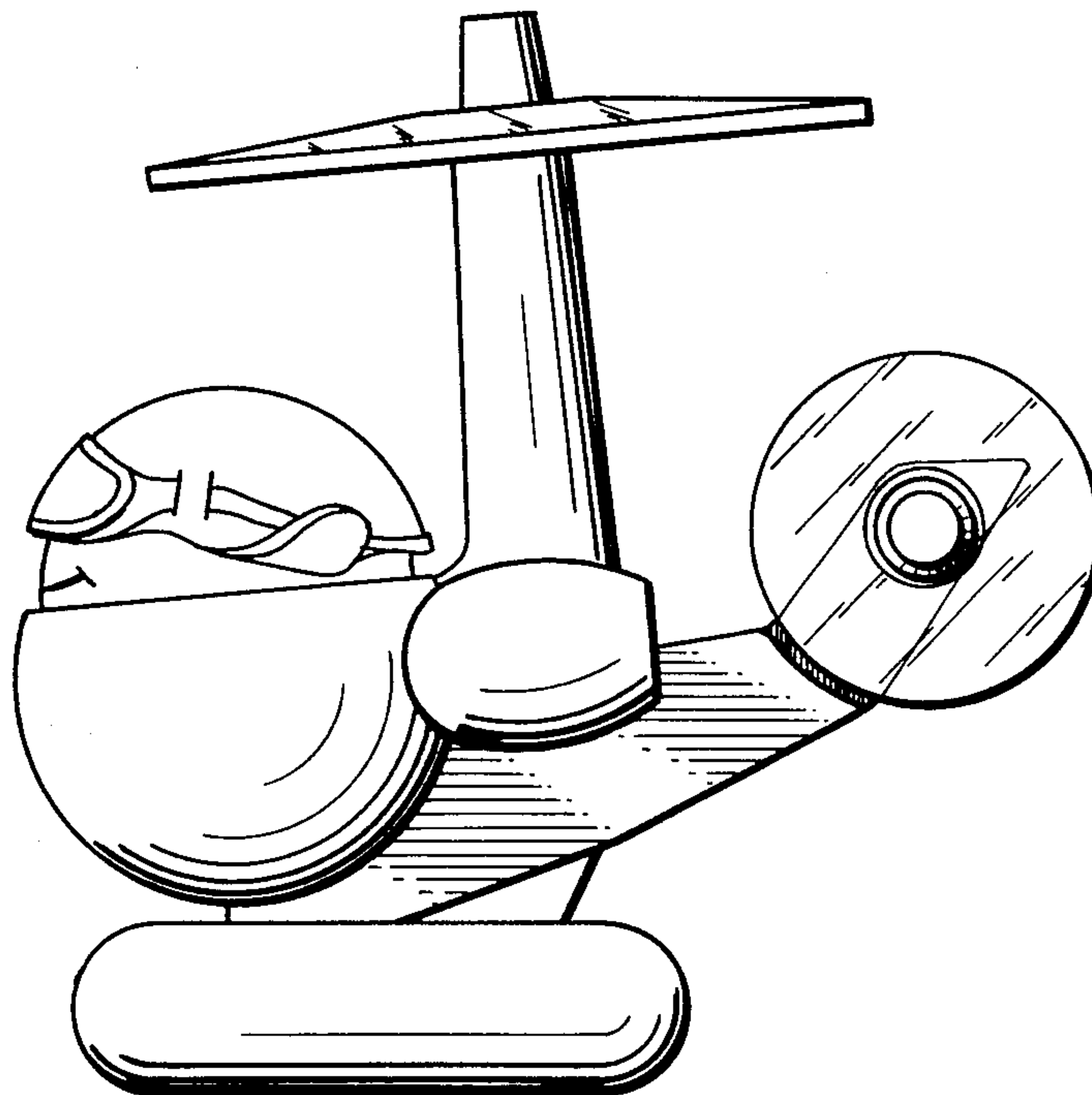
FIG. 4 is a rear elevational view thereof.

FIG. 5 is a bottom plan view thereof.

[56] References Cited

U.S. PATENT DOCUMENTS

- D. 224,430 7/1972 Fever D21/85
- D. 232,183 7/1974 Reed D21/85
- D. 238,597 1/1976 Goldfarb et al. D21/85



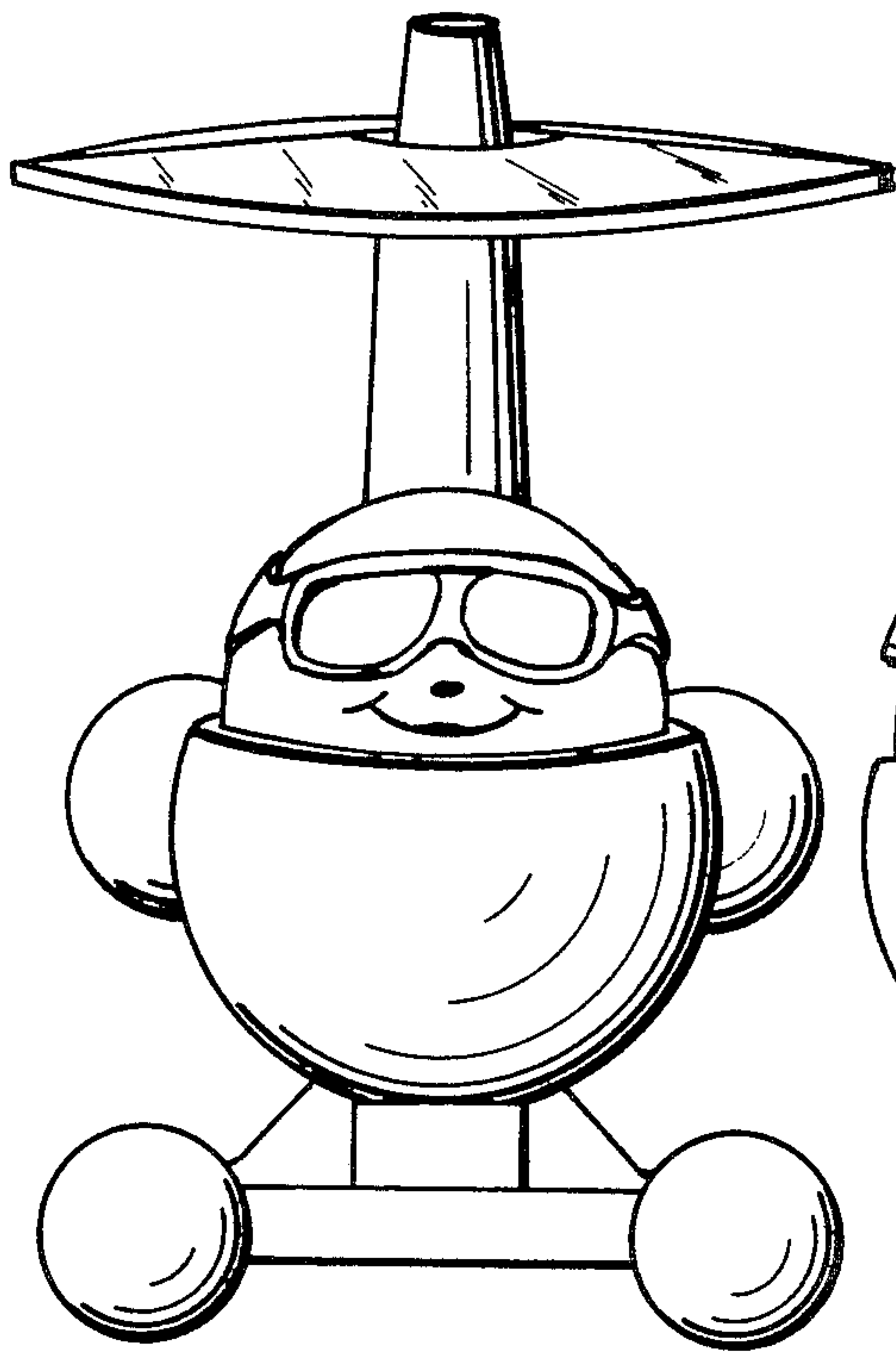


FIGURE 2

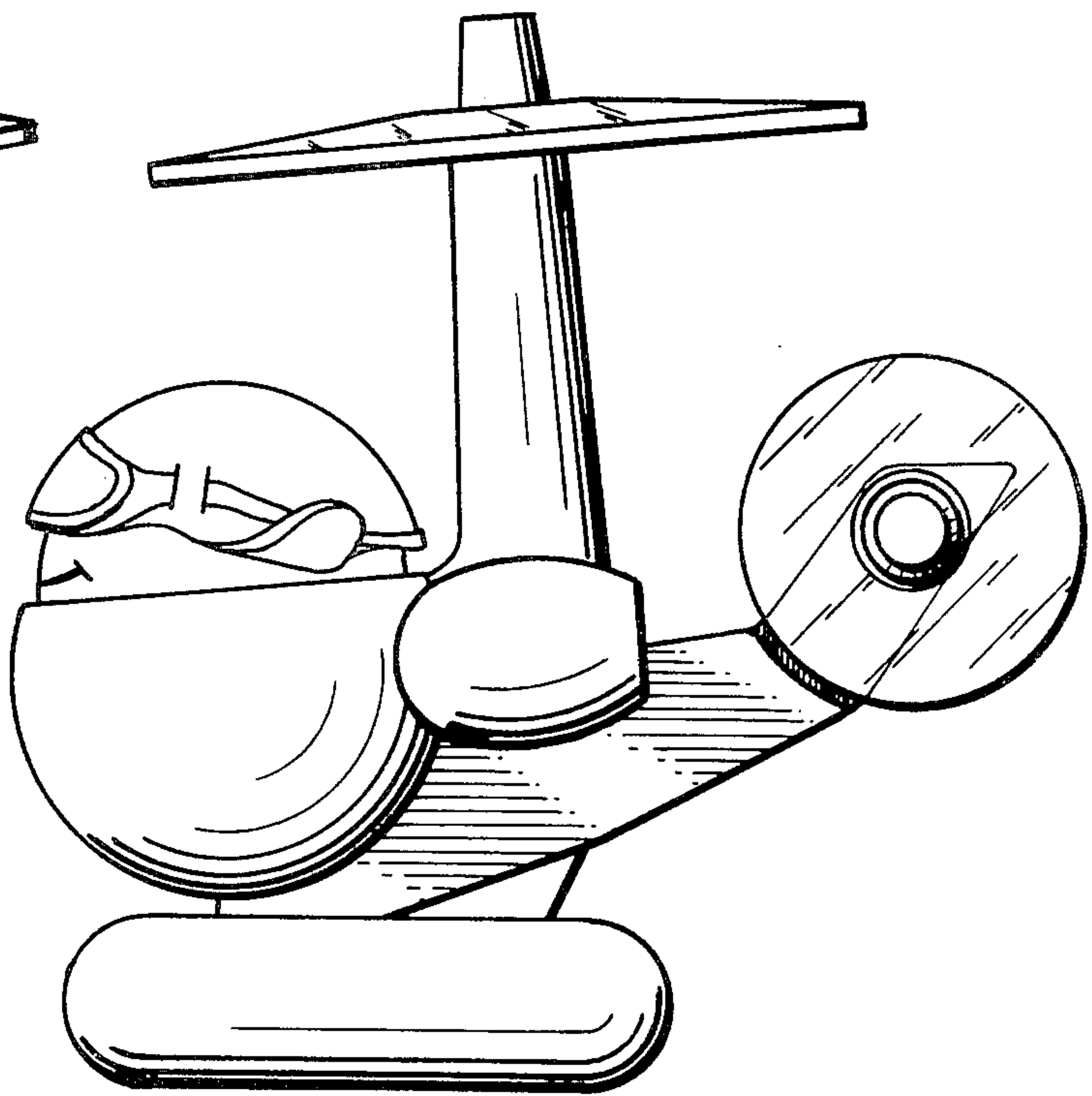


FIGURE 1

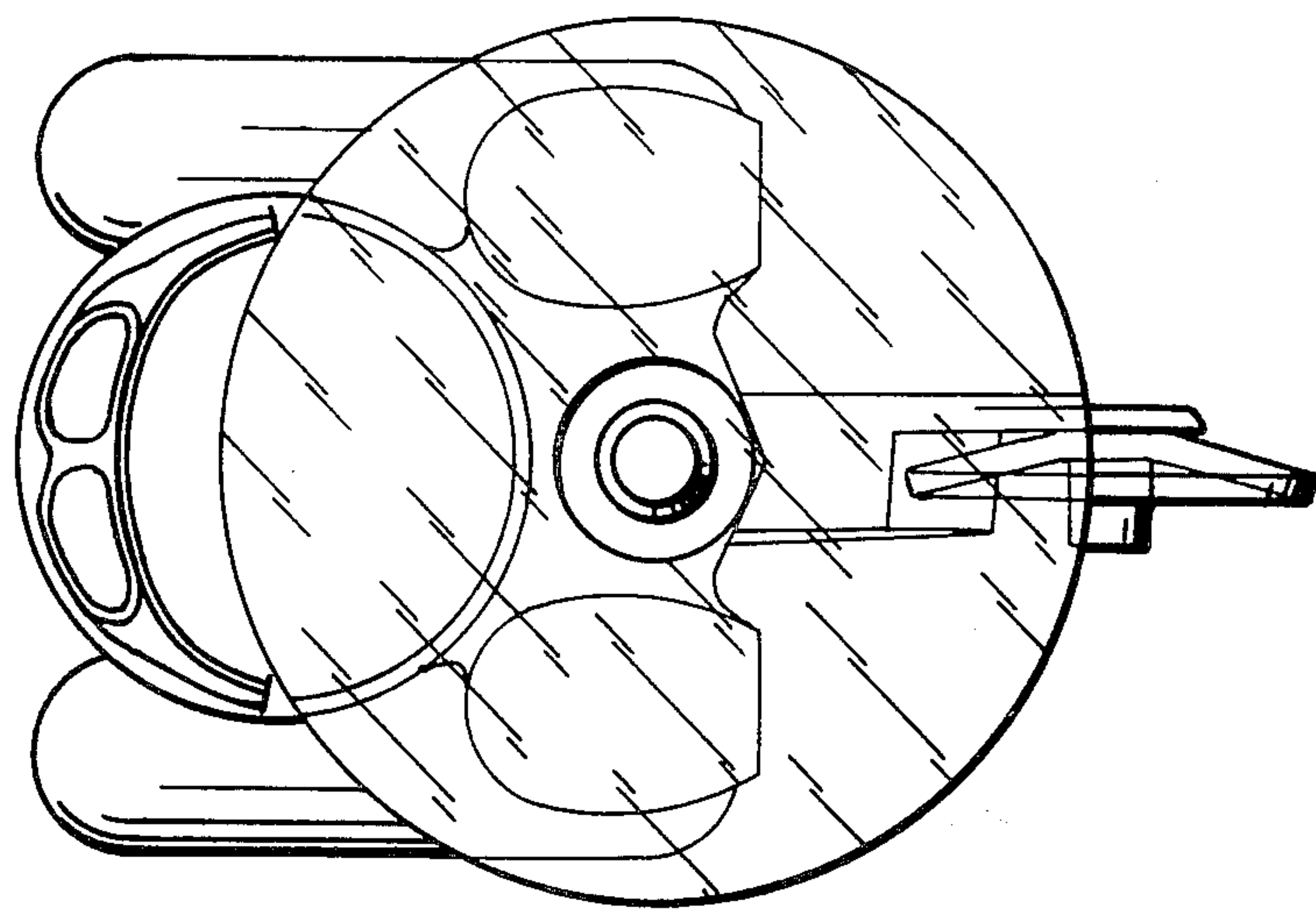


FIGURE 3

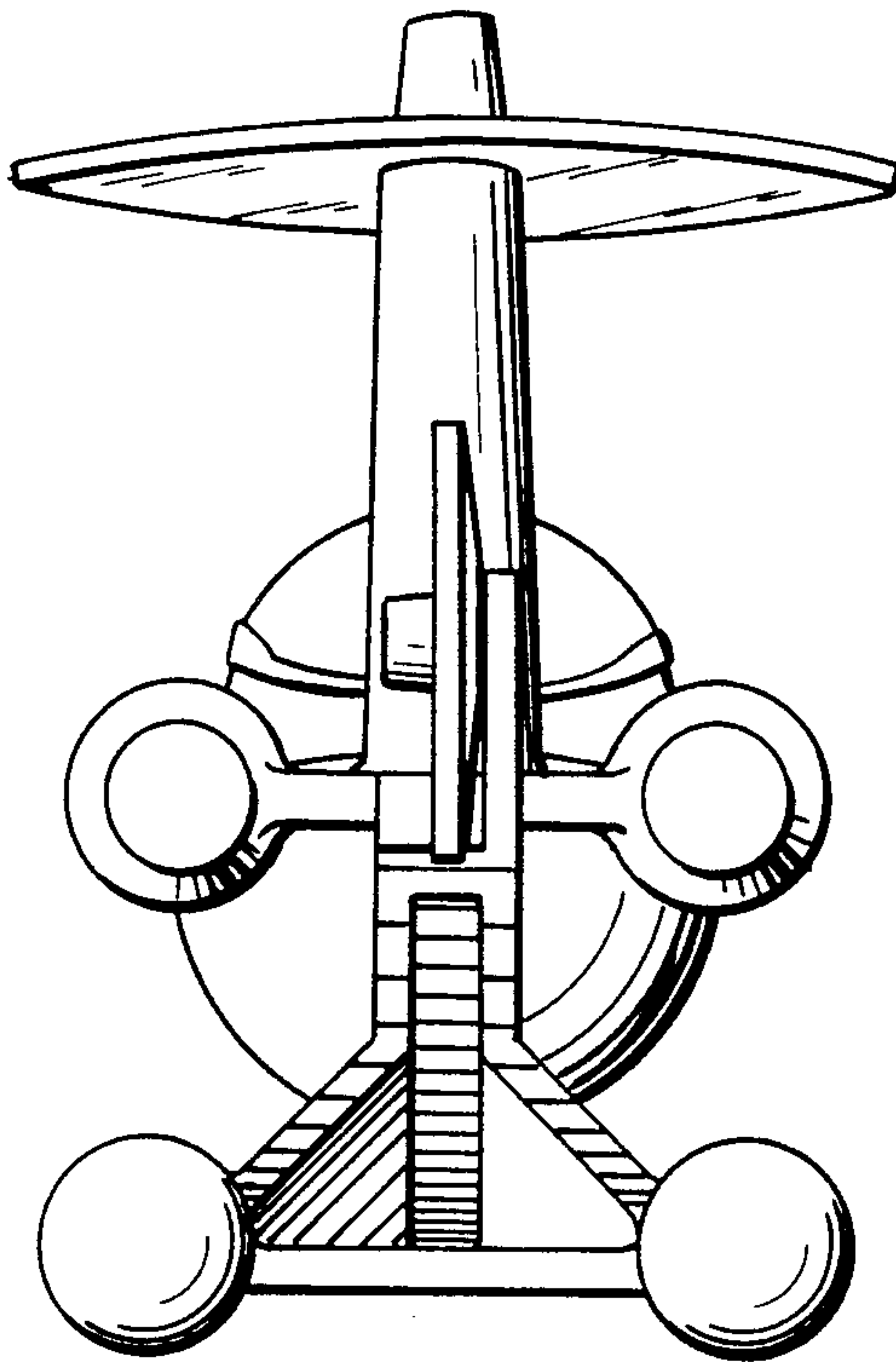


FIGURE 4

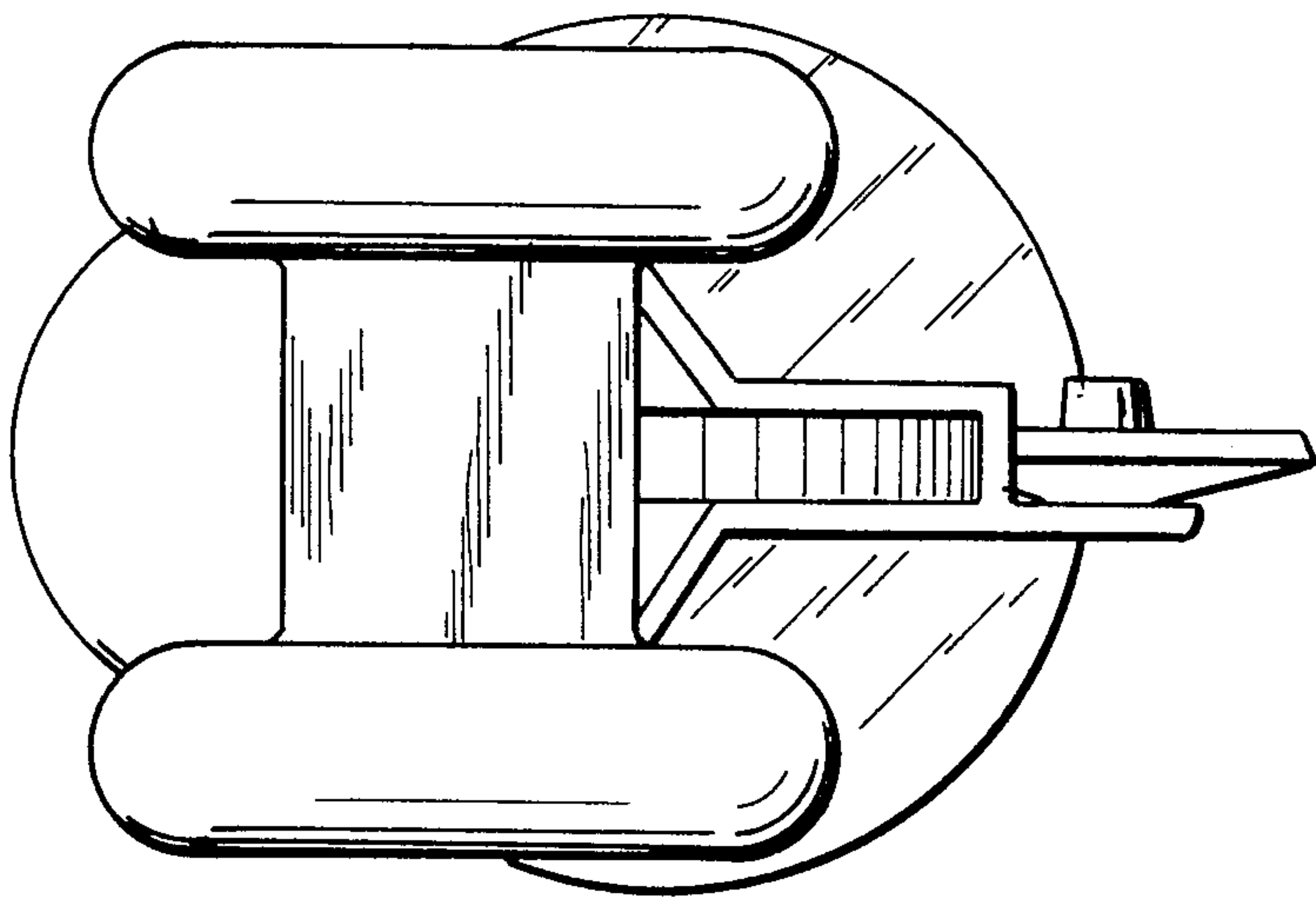


FIGURE 5