

- [54] IDENTIFICATION HOLDER FOR A LUGGAGE CASE OR THE LIKE
- [75] Inventors: Roger D. Winter, Lakewood; James S. Gregg, Aurora; Daniel R. Skewis, Westminster, all of Colo.
- [73] Assignee: Samsonite Corporation, Denver, Colo.
- [**] Term: 14 Years
- [21] Appl. No.: 516,749
- [22] Filed: Jul. 25, 1983
- [52] U.S. Cl. D20/43; D3/99
- [58] Field of Search D3/30.1, 54, 71, 76, D3/77, 39, 78, 99; 100/102, 115, 109; D20/40-44; D9/418, 420, 423, 432, 337; 40/10 R, 10 D, 10 A, 16

3,380,573	4/1968	Gulotta	D9/423
3,497,907	3/1970	Colina	D9/423
4,177,587	12/1979	Dorsen	40/10 D

FOREIGN PATENT DOCUMENTS

195493	4/1923	United Kingdom	D9/420
--------	--------	----------------------	--------

Primary Examiner—George P. Word
Attorney, Agent, or Firm—George J. Netter

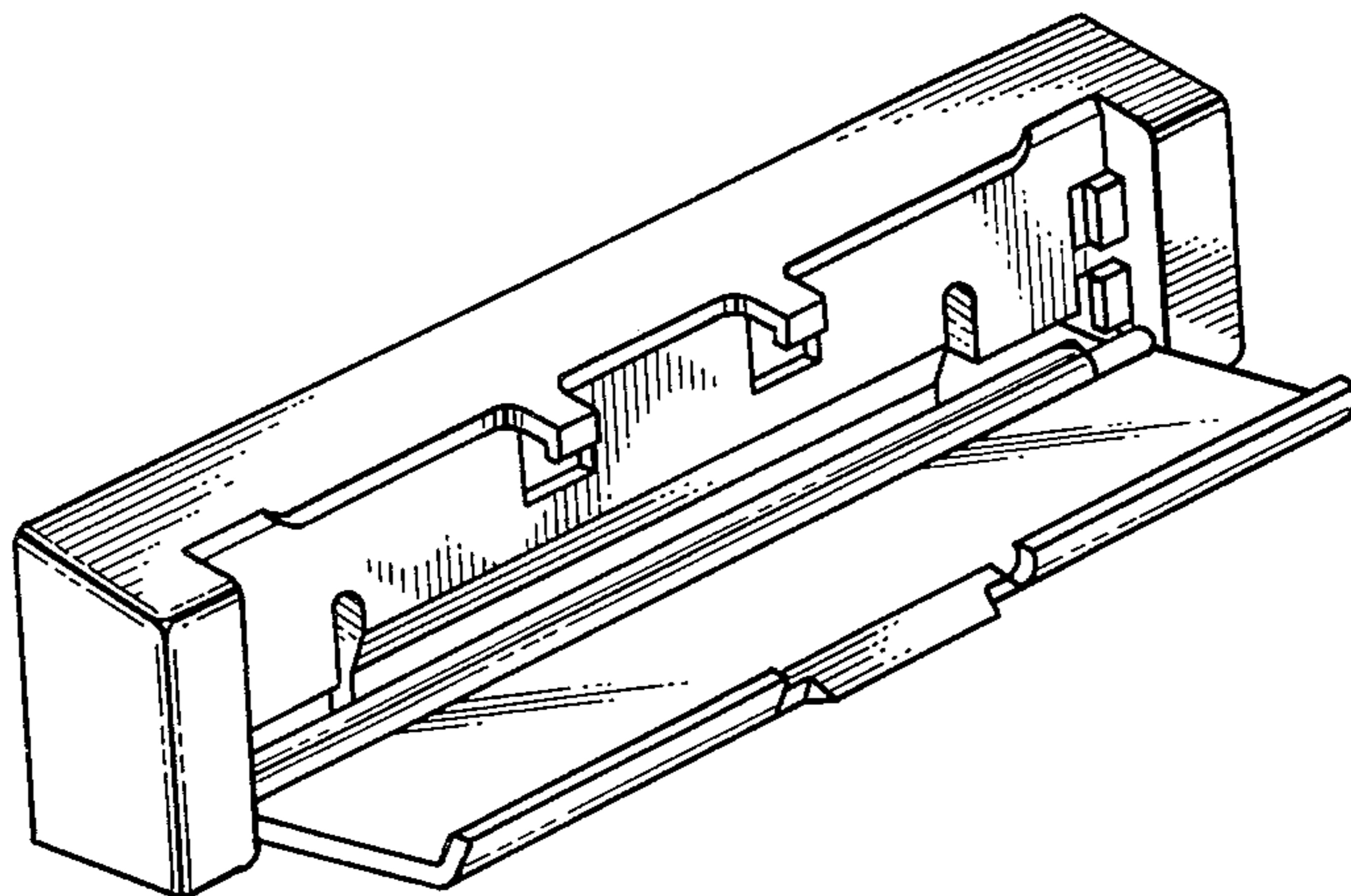
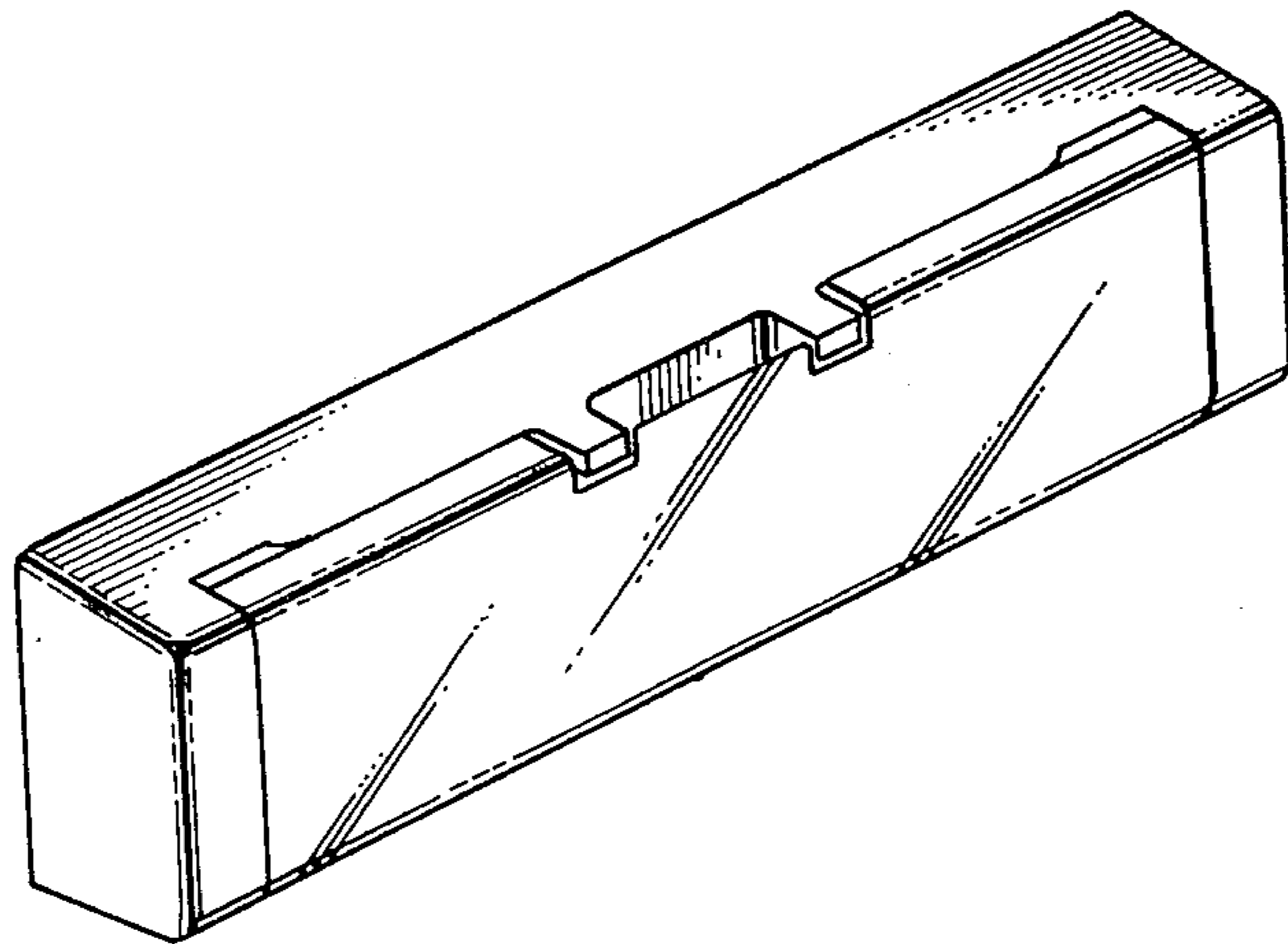
[57] CLAIM

The ornamental design for an identification holder for a luggage case, as shown and described.

DESCRIPTION

FIG. 1 is a perspective view of an identification holder for a luggage case or the like showing our new design. FIG. 2 is a front elevational view. FIG. 3 is an end elevational view. FIG. 4 is a top plan view. FIG. 5 is a rear elevational view. FIG. 6 is a bottom plan view. FIG. 7 is a perspective similar to FIG. 1 with the holder lid open; and FIG. 8 is an end elevational view similar to FIG. 3 with the holder lid open.

- [56] References Cited
- U.S. PATENT DOCUMENTS
- D. 130,273 11/1941 Jensen
- D. 202,446 9/1965 Braun
- D. 206,518 12/1966 Evans
- D. 269,053 5/1983 Castelli



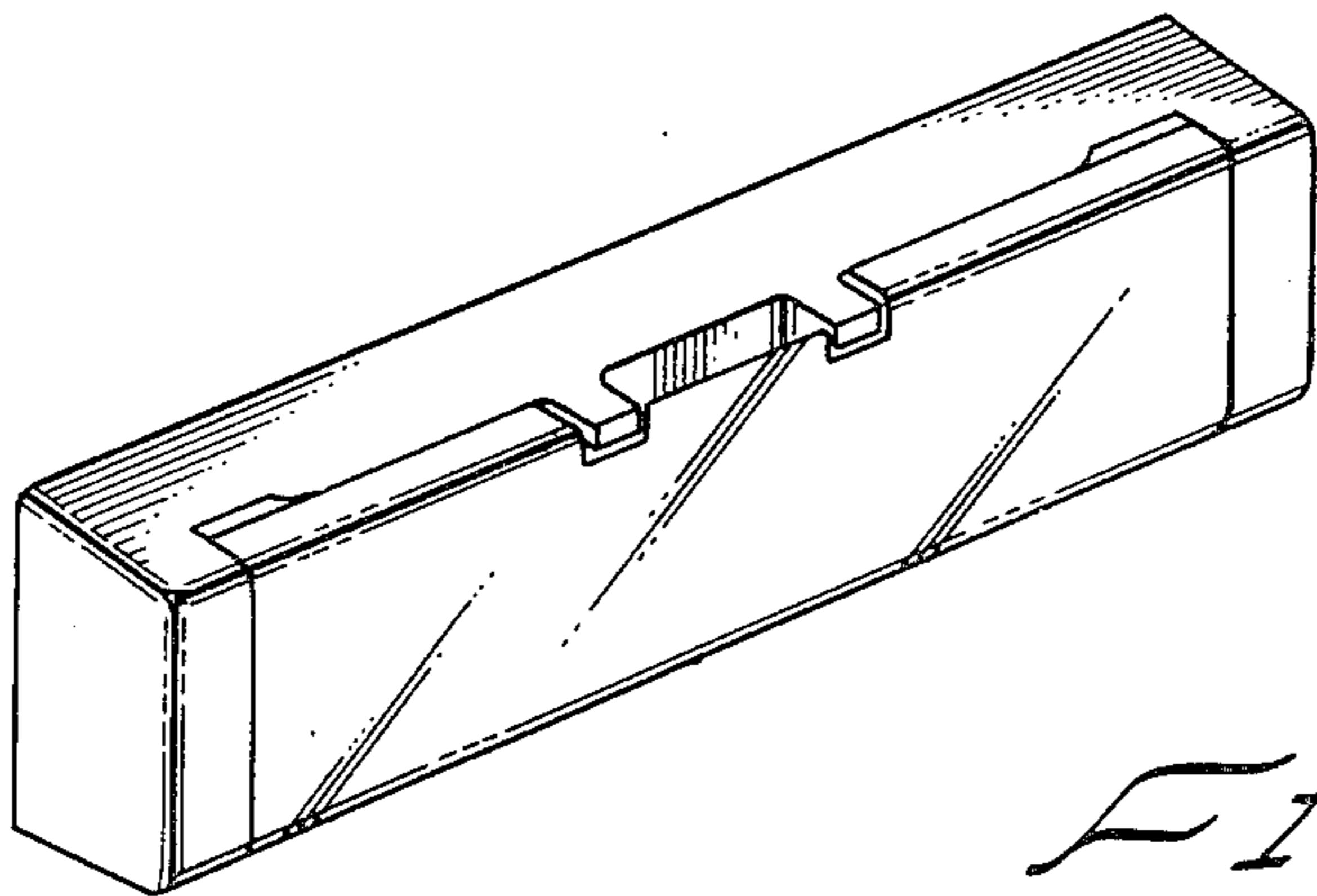


FIG. 1

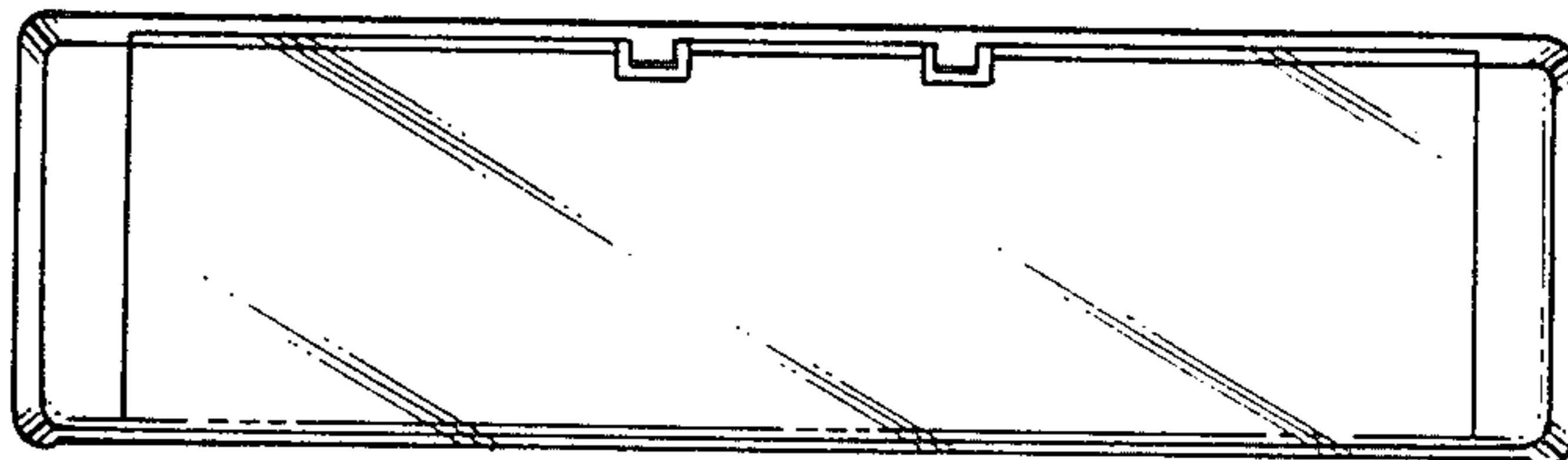


FIG. 2.

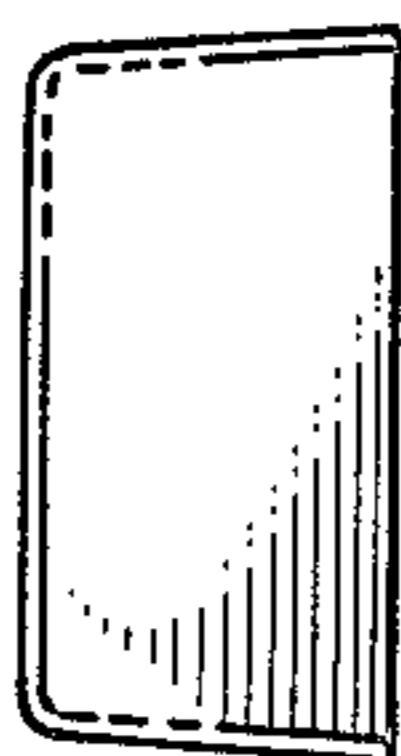


FIG. 3.

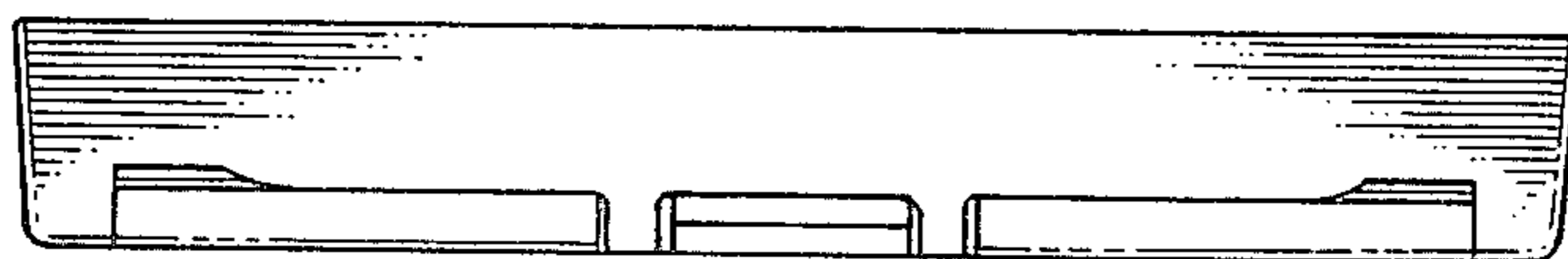


FIG. 4.

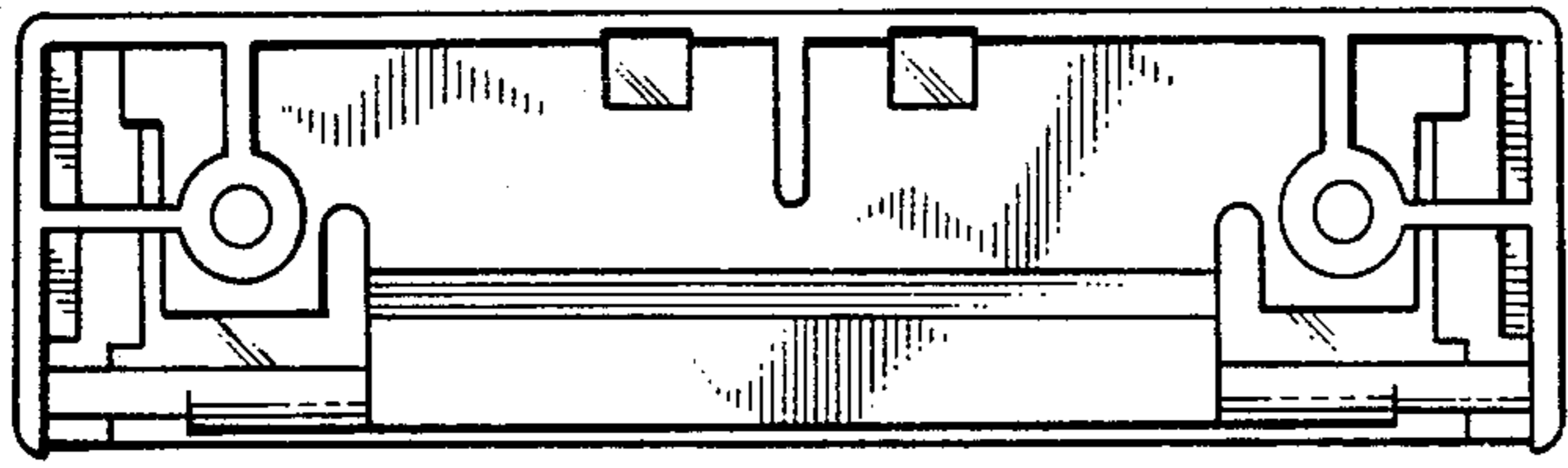


FIG. 5.



FIG. 6.

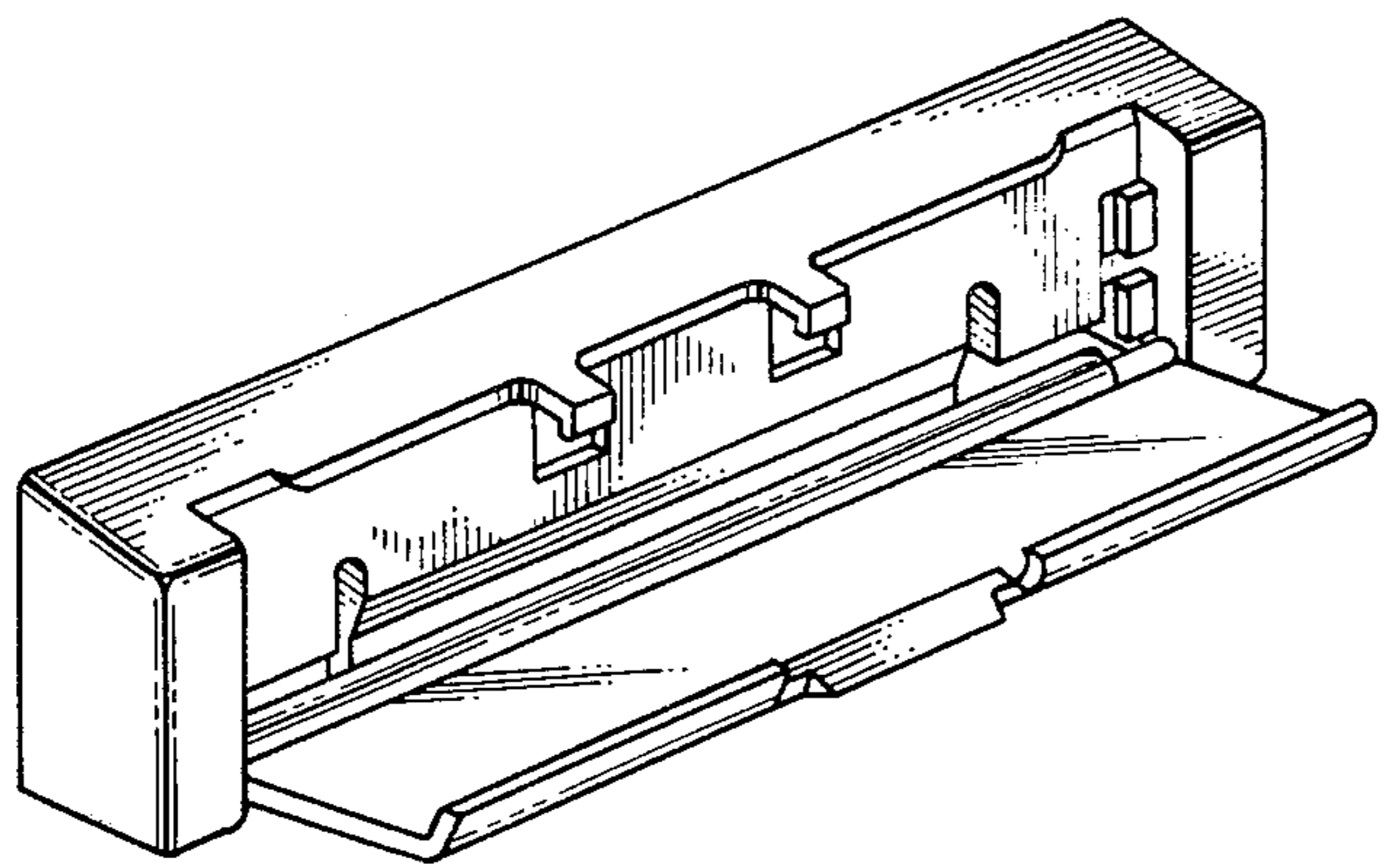


FIG. 7.

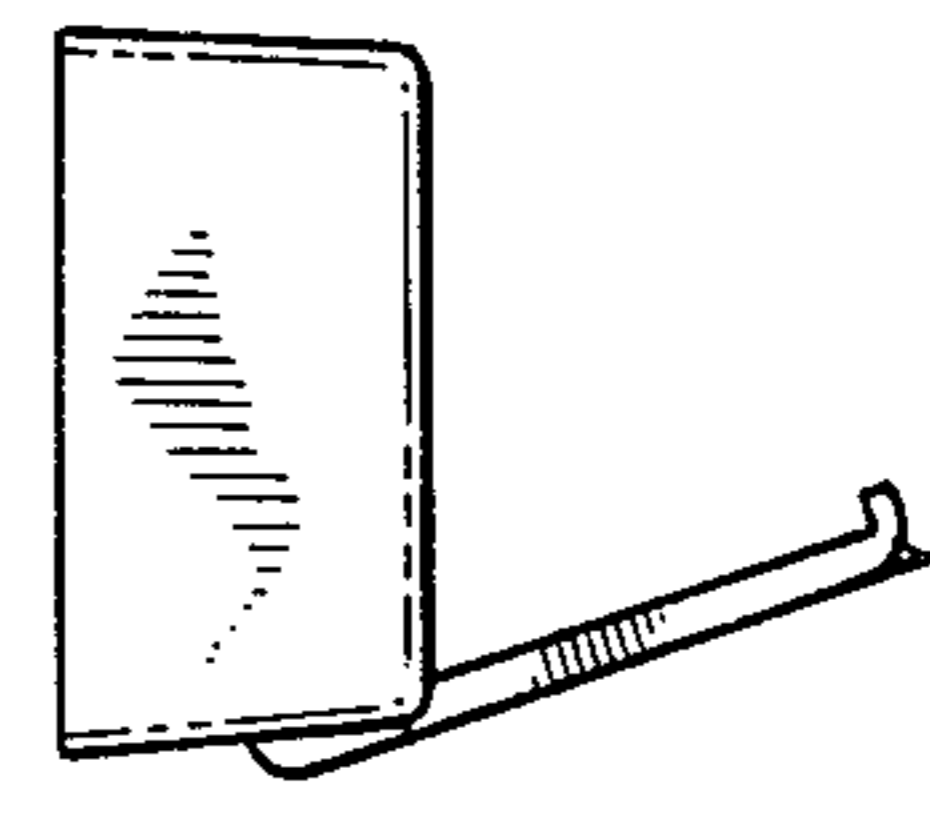


FIG. 8.