

[54] COMBINED BULLETIN BOARD, TELEPHONE BOOK AND PAD HOLDER

[75] Inventor: Ross Deacon, Syracuse, N.Y.

[73] Assignee: Syroco, Inc., Syracuse, N.Y.

[\*\*] Term: 14 Years

[21] Appl. No.: 494,355

[22] Filed: May 13, 1983

[52] U.S. Cl. .... D19/52; D6/302

[58] Field of Search ..... D19/20, 52, 75, 86, D19/87, 90; 281/15 B; D6/302; 40/152, 152.1, 156

[56] References Cited

U.S. PATENT DOCUMENTS

D. 157,715	3/1950	Wolfe	.....	D19/86
D. 164,157	8/1951	Chrzanowski	.....	D19/87
D. 203,725	2/1966	Genin	.....	D19/52
D. 255,306	6/1980	Jacoby et al.	.....	D19/52
D. 274,589	7/1984	Christensen et al.	.....	D19/52
2,590,618	3/1952	Hodkin	.....	281/15 B
3,843,166	10/1974	Barone	.....	281/15 B

Primary Examiner—George P. Word

Attorney, Agent, or Firm—Stanley R. Moore

[57] CLAIM

The ornamental design for the combined bulletin board, telephone book and pad holder, as shown and described.

DESCRIPTION

FIG. 1 is a perspective view of a combined bulletin board, telephone book and pad holder showing my new design;

FIG. 2 is a front elevational view of the combined bulletin board, telephone book and pad holder of FIG. 1;

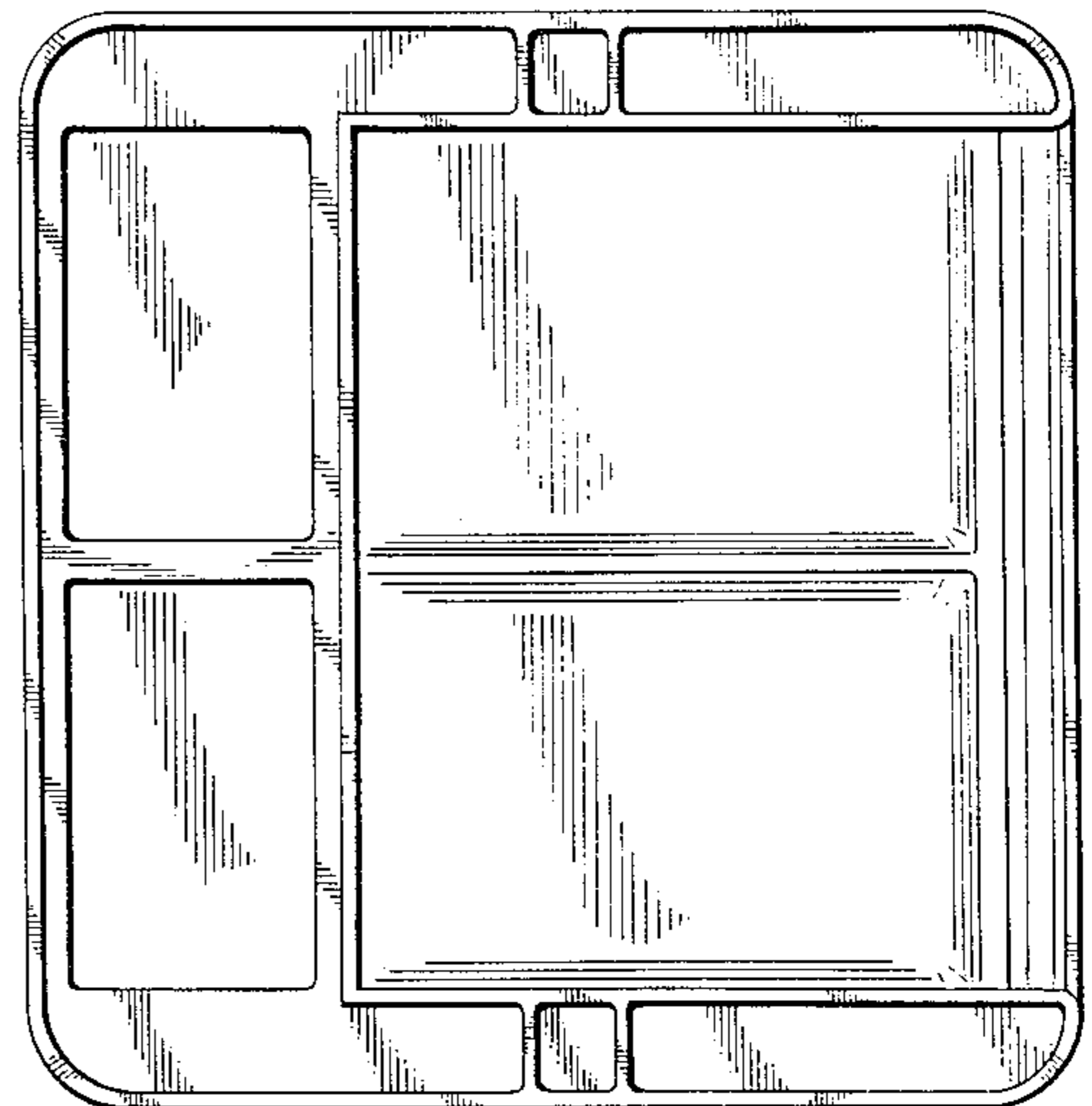
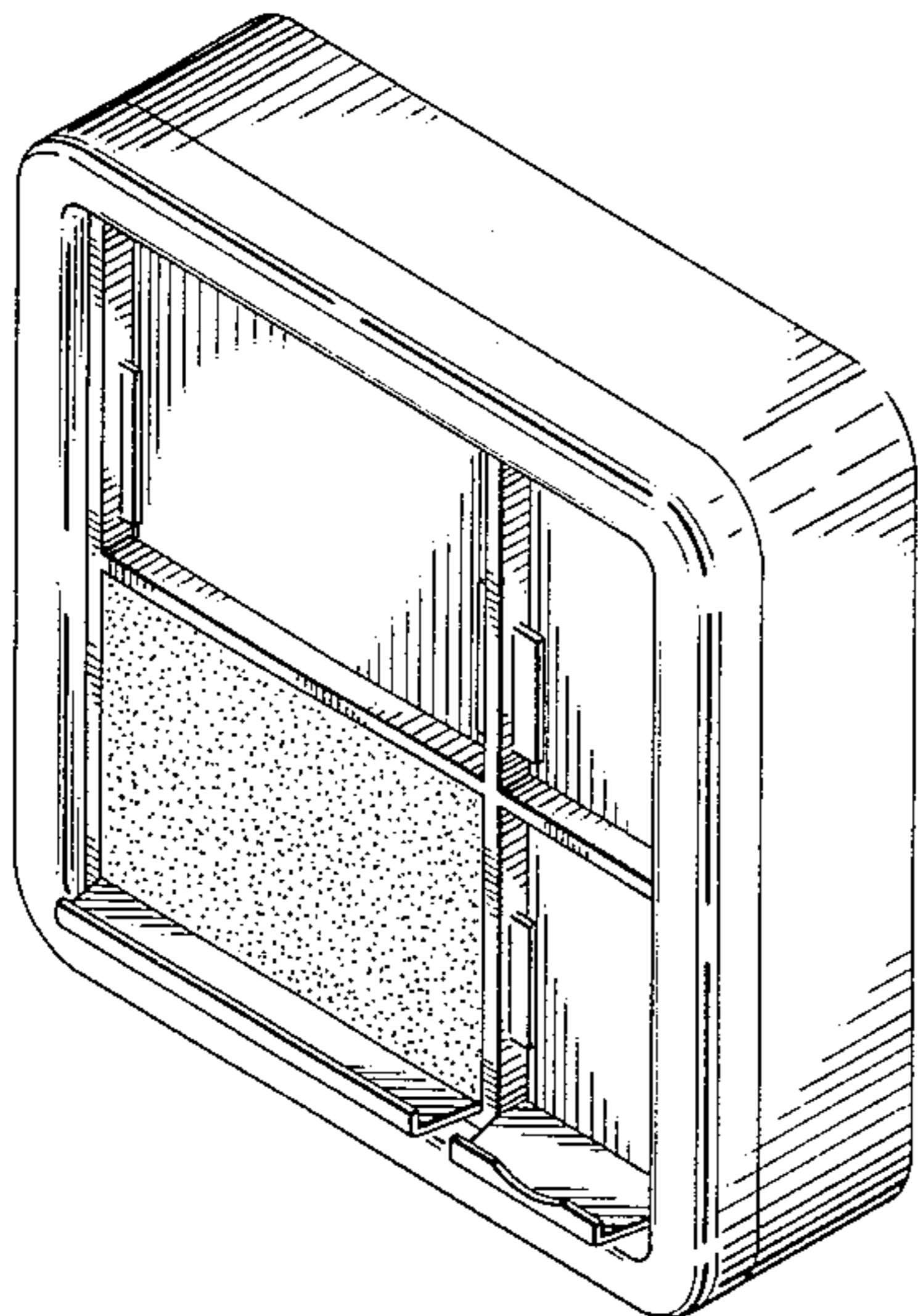
FIG. 3 is a side elevational view of the combined bulletin board, telephone book and pad holder of FIG. 1, taken from the right side thereof;

FIG. 4 is a side elevational view of the combined bulletin board, telephone book and pad holder of FIG. 1, taken from the left side thereof;

FIG. 5 is a rear elevational view of the combined bulletin board, telephone book and pad holder of FIG. 1;

FIG. 6 is a top plan view of the combined bulletin board, telephone book and pad holder of FIG. 1; and

FIG. 7 is a bottom plan view of the combined bulletin board, telephone book and pad holder of FIG. 1.



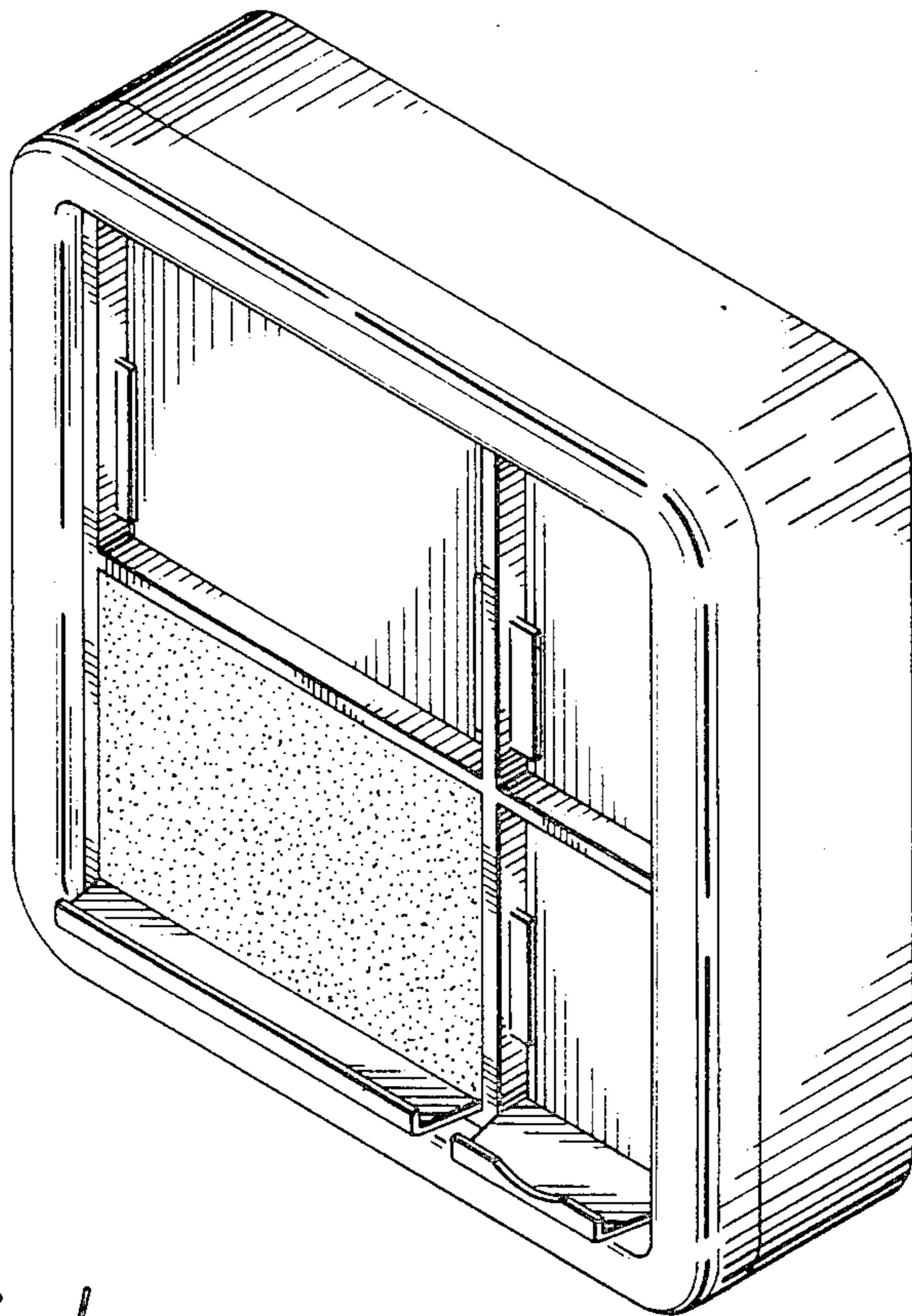


FIG. 1

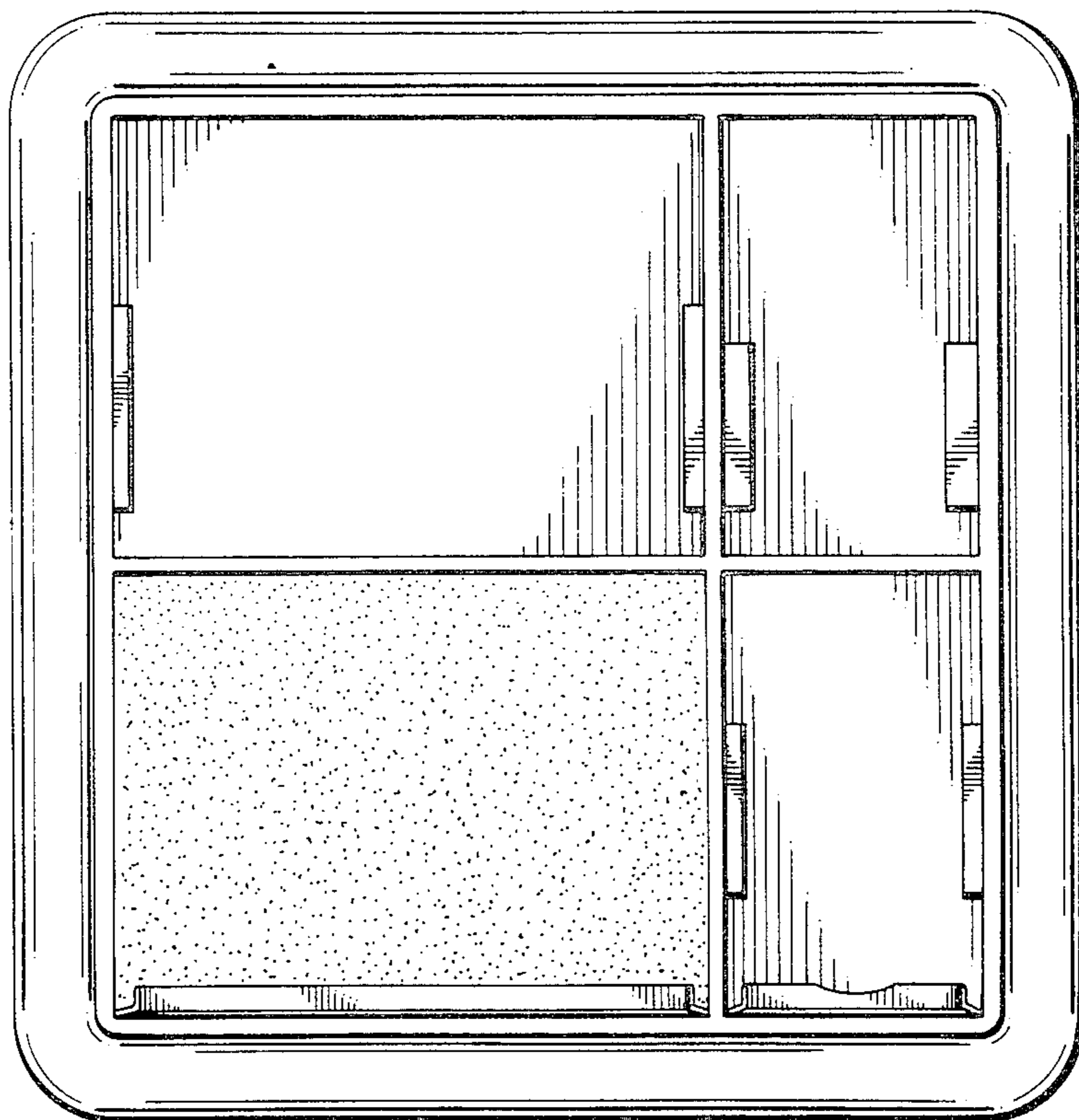


FIG. 2

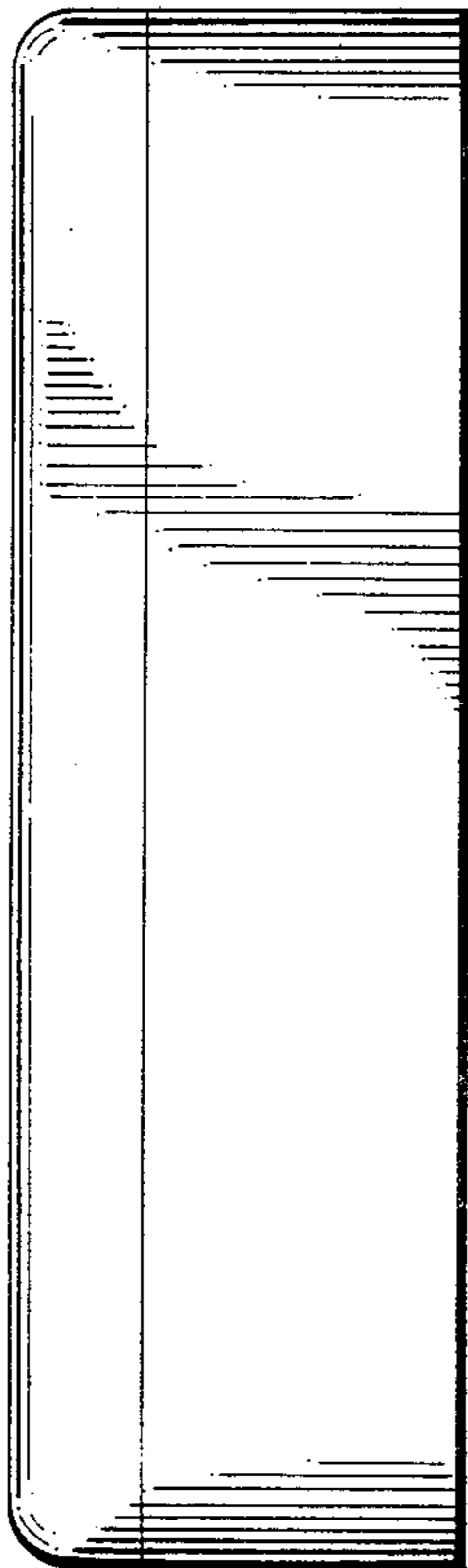


FIG. 3

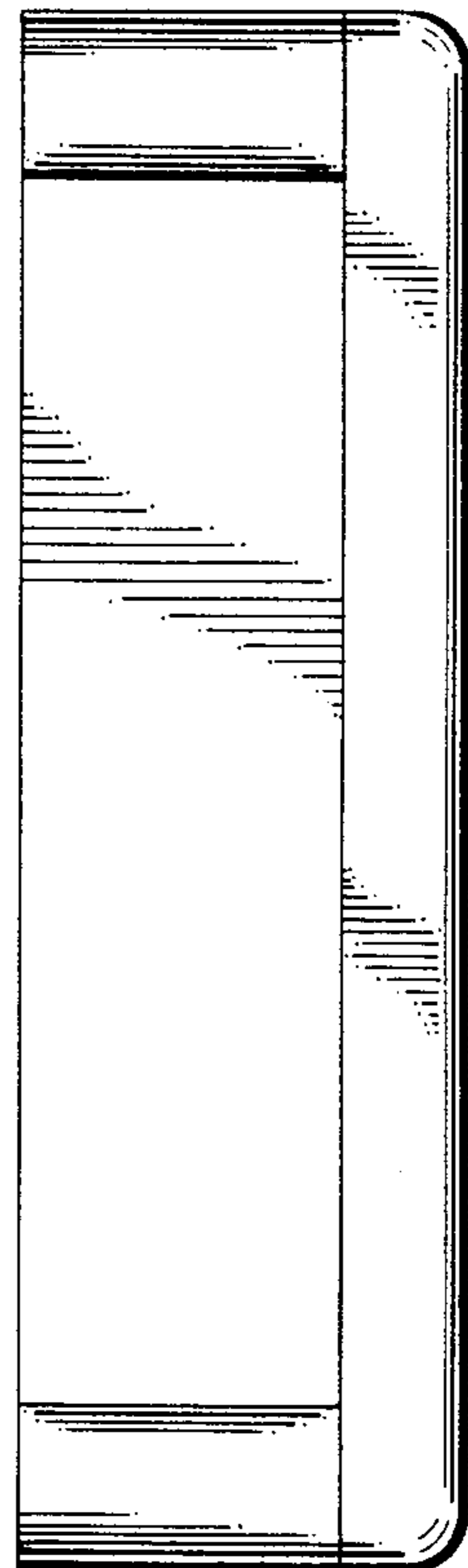


FIG. 4

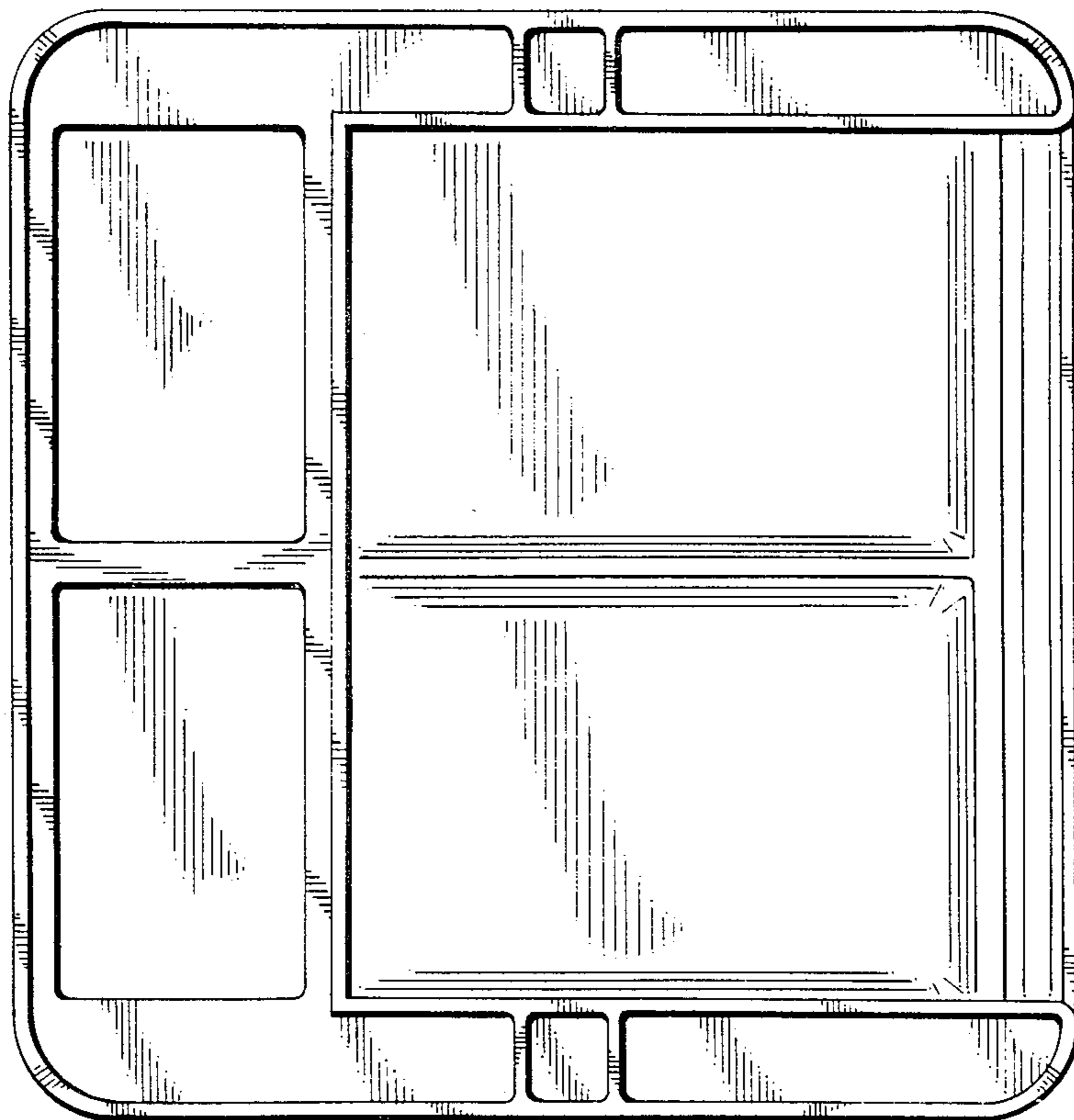


FIG. 5

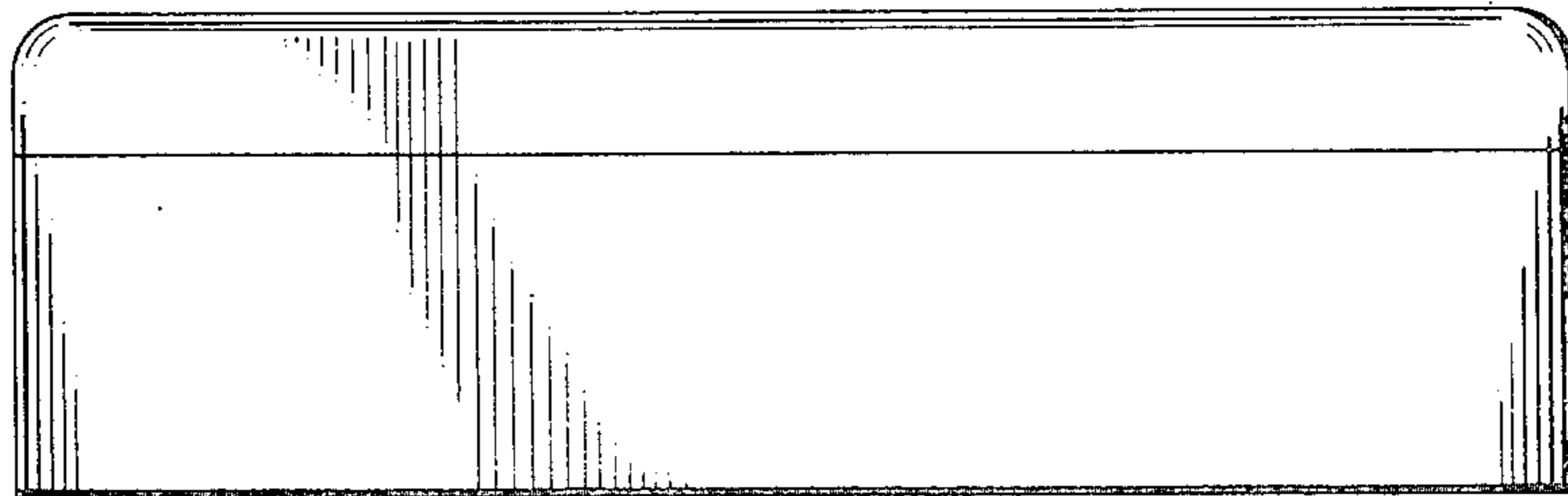


FIG. 6

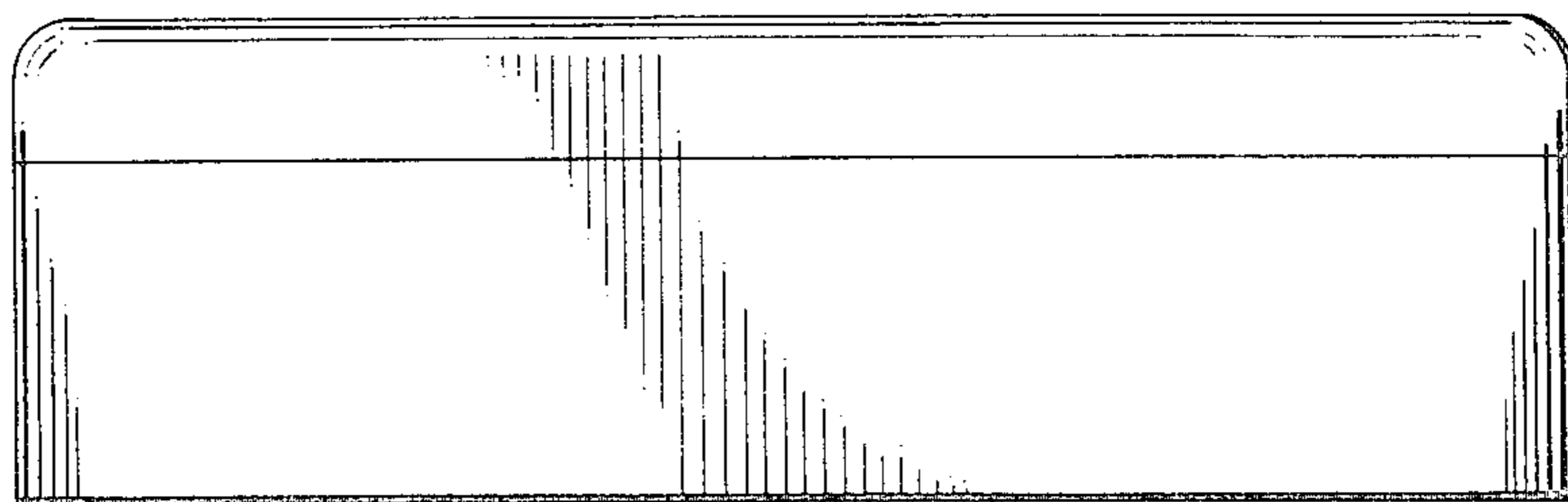


FIG. 7