

[54] ELECTRONIC TYPEWRITER

OTHER PUBLICATIONS

[75] Inventor: James P. Wang, Lexington, Ky.

Datamation, 7/1974, p. 33—Terminet 1200 Printer at bottom left.

[73] Assignee: International Business Machines Corporation, Armonk, N.Y.

Primary Examiner—Louis S. Zarfes
Attorney, Agent, or Firm—Laurence R. Letson

[**] Term: 14 Years

[57] CLAIM

The ornamental design for an electronic typewriter, as shown and described.

[21] Appl. No.: 537,222

DESCRIPTION

[22] Filed: Sep. 29, 1983

[52] U.S. Cl. D18/1

[58] Field of Search D18/1, 2, 11, 13;
D14/100, 107, 111, 115; 400/689-694

FIG. 1 is a left front perspective view of an electronic typewriter, showing my new design;

FIG. 2 is a top view thereof;

FIG. 3 is a front perspective view thereof;

FIG. 4 is a rear elevational view thereof;

FIG. 5 is an elevational view of the right end thereof;

FIG. 6 is an elevational view of the left end thereof;

FIG. 7 is a plan view of the bottom thereof;

FIG. 8 is a right rear perspective view thereof;

FIG. 9 is a left front perspective view of an electronic typewriter showing my new design;

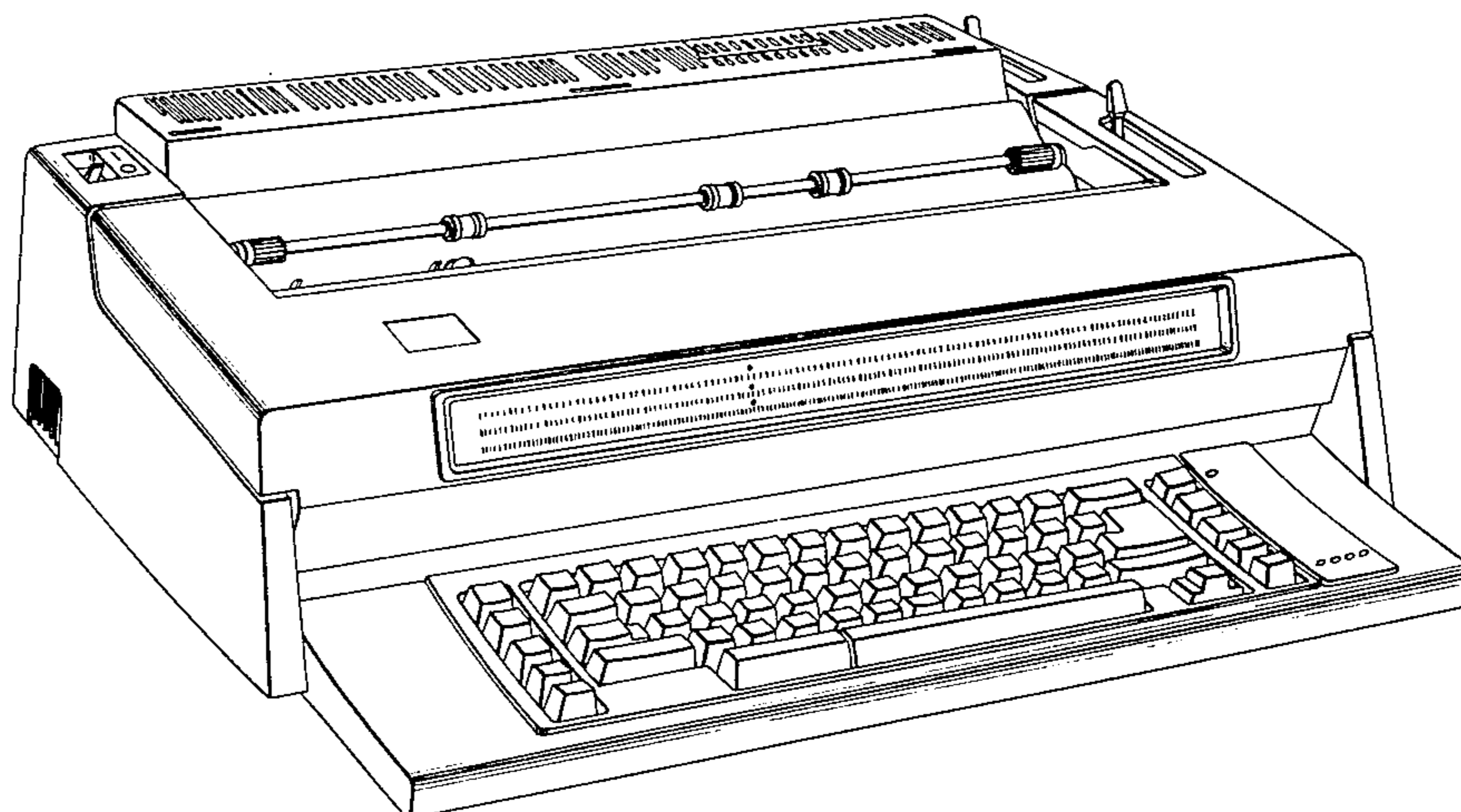
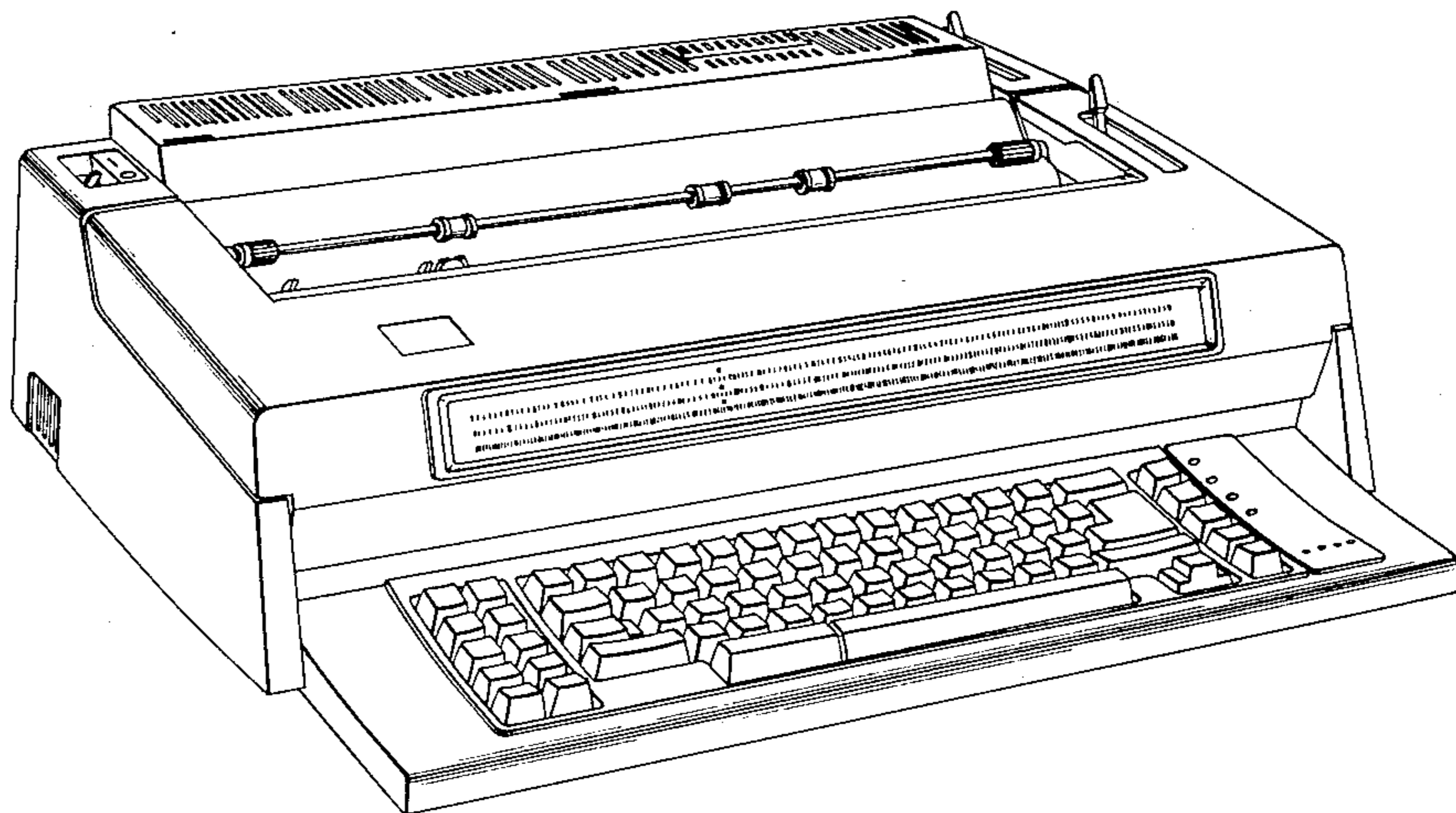
FIG. 10 is a top plan view of the second embodiment thereof; and

FIG. 11 is a front perspective view of the second embodiment thereof.

[56] References Cited

U.S. PATENT DOCUMENTS

D. 198,879	8/1964	Furlani et al.	D18/1
D. 252,519	7/1979	Roche	D18/11
D. 260,768	9/1981	Campbell et al.	D14/100
3,827,543	8/1974	Kawano et al.	D18/1 X
3,830,352	8/1974	Kolpek	D18/1 X



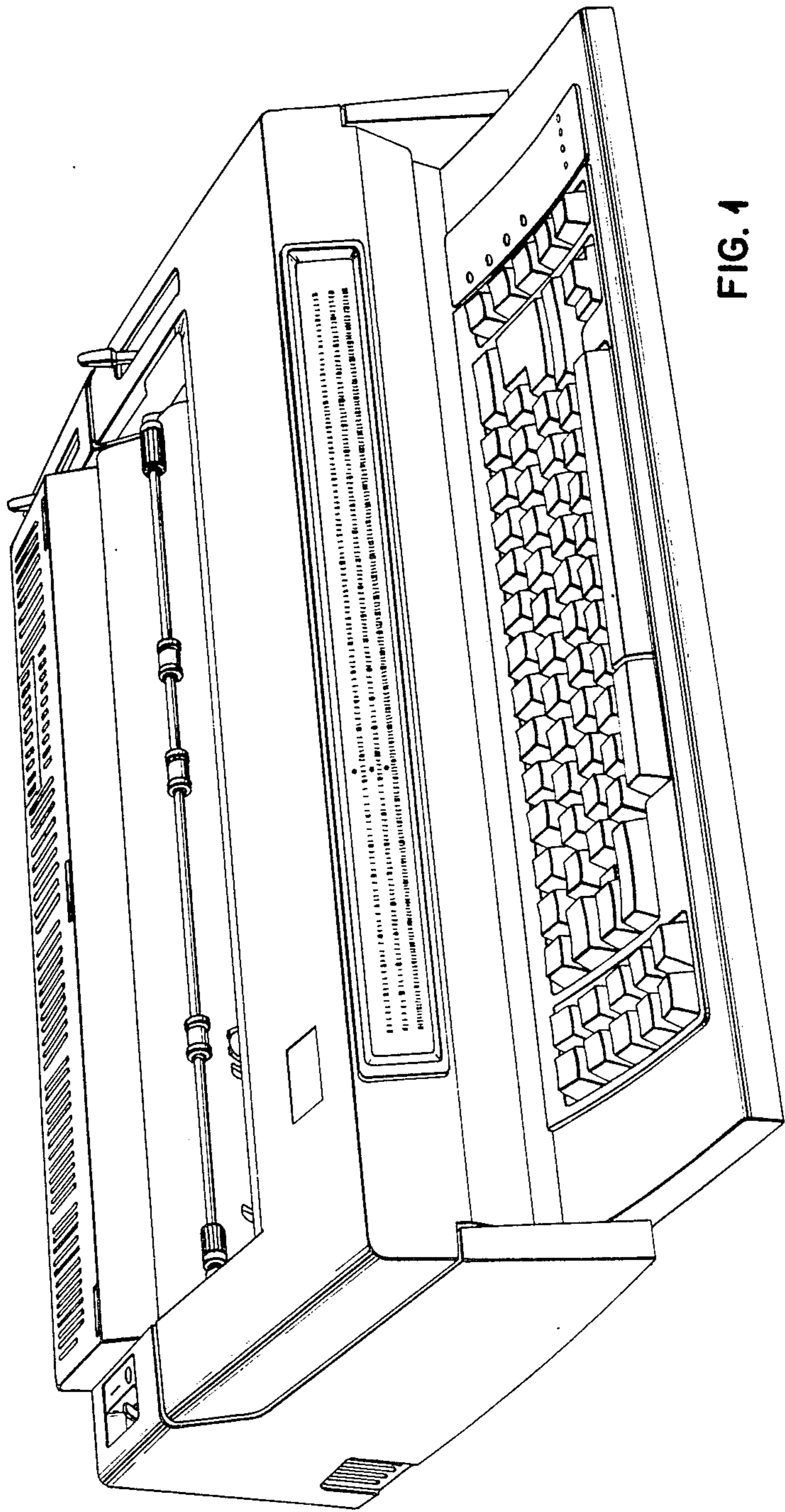


FIG. 1

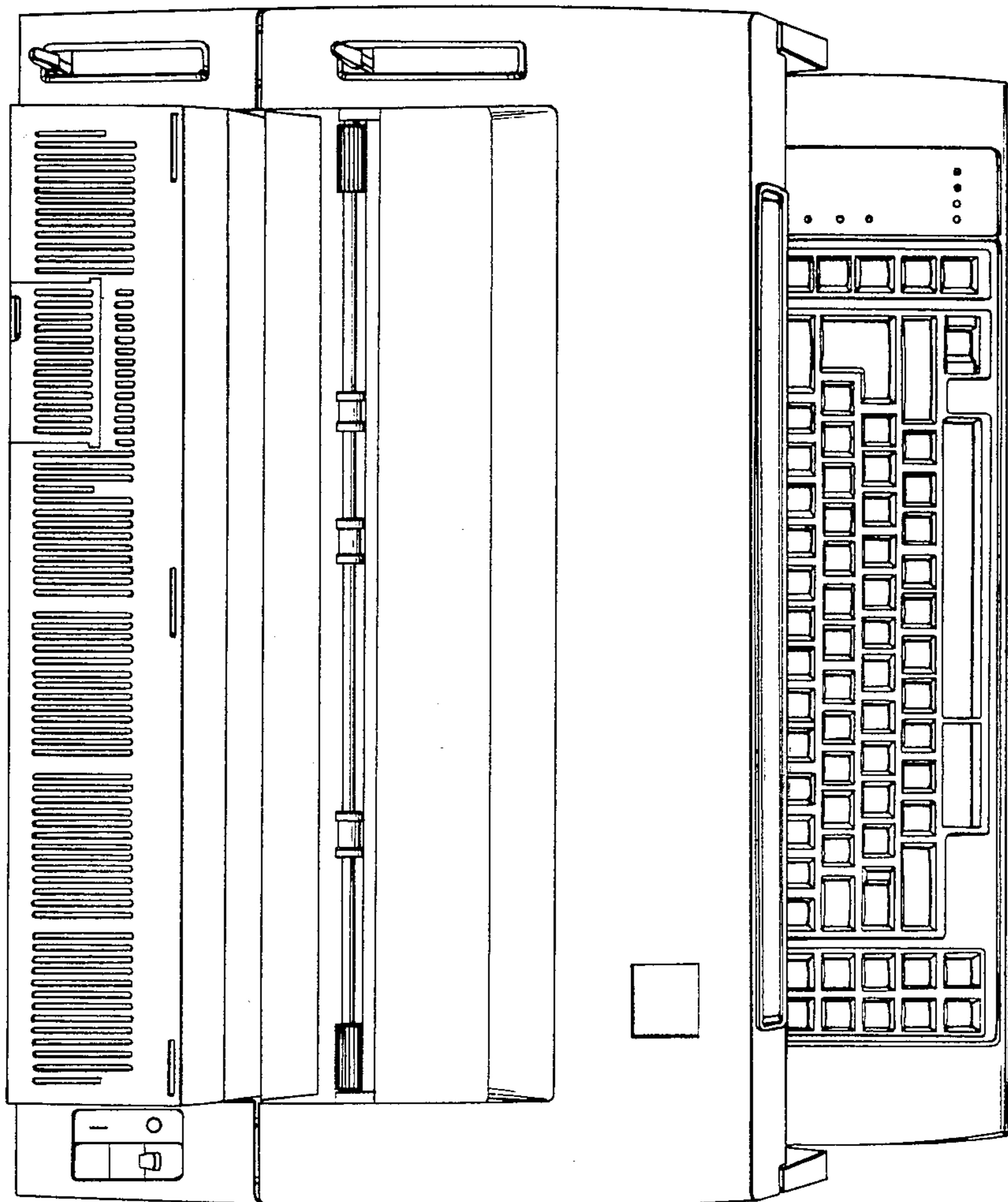


FIG. 2

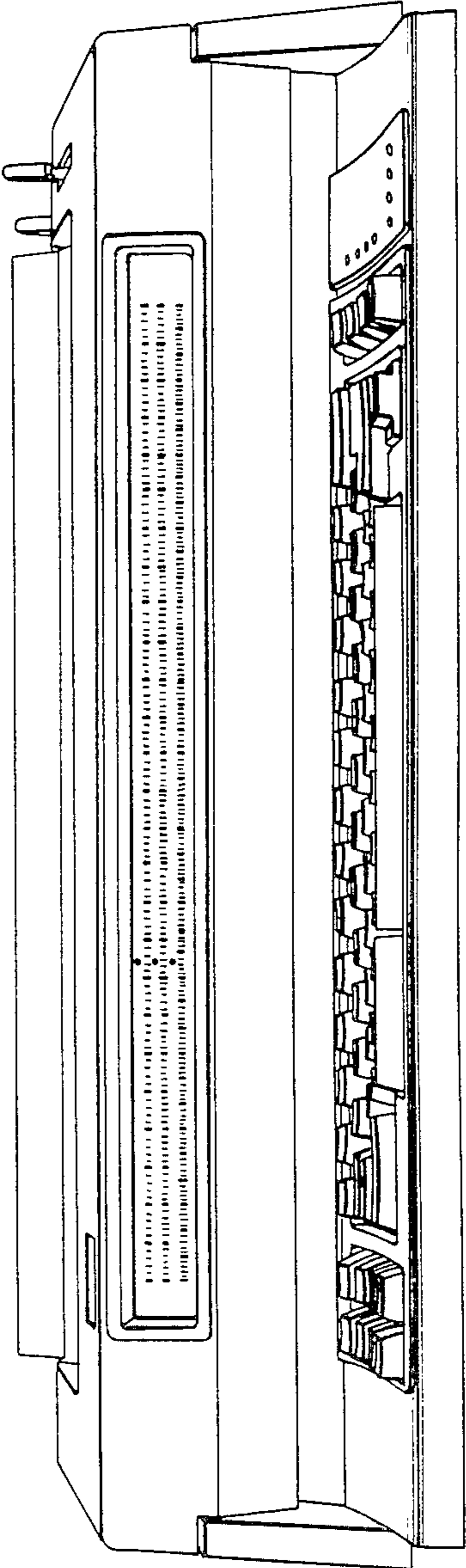


FIG. 3

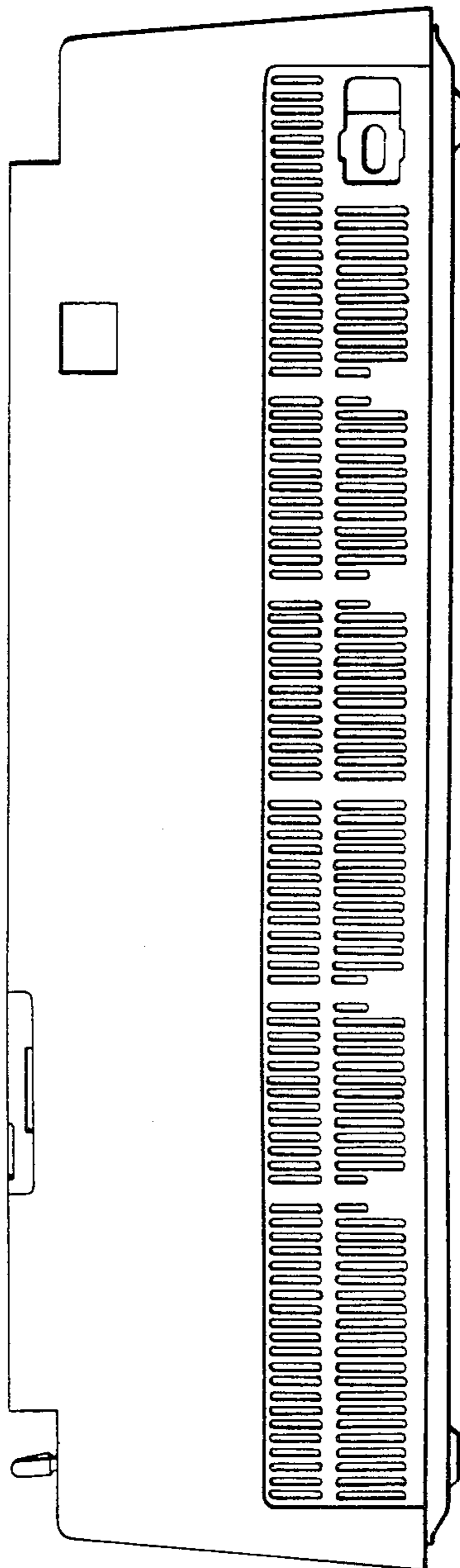


FIG. 4



FIG. 5

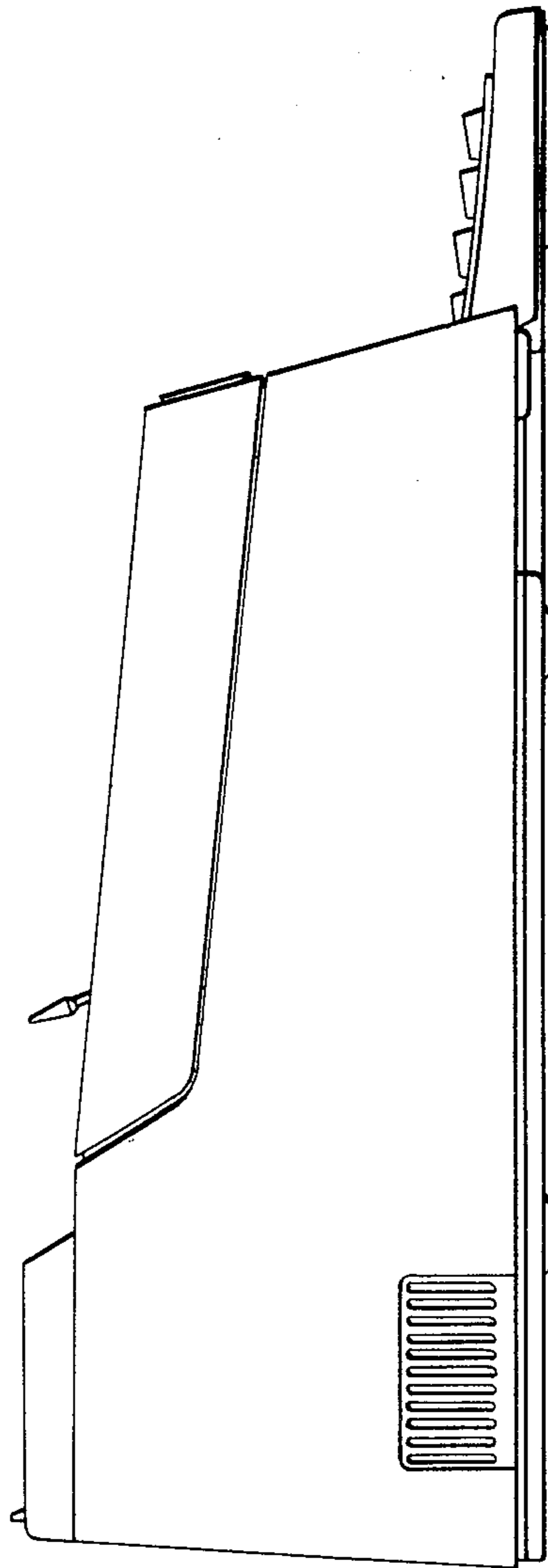


FIG. 6

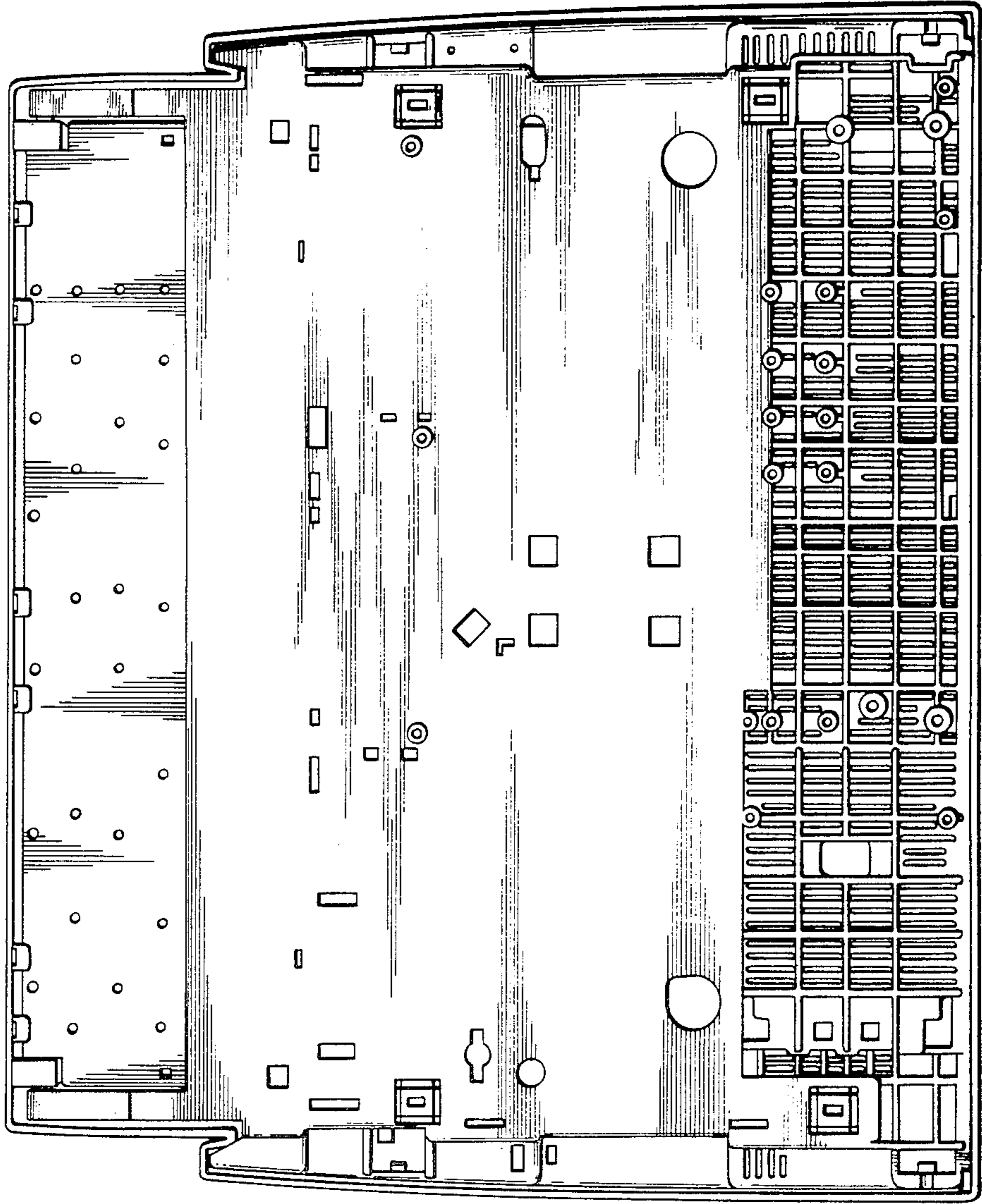


FIG. 7

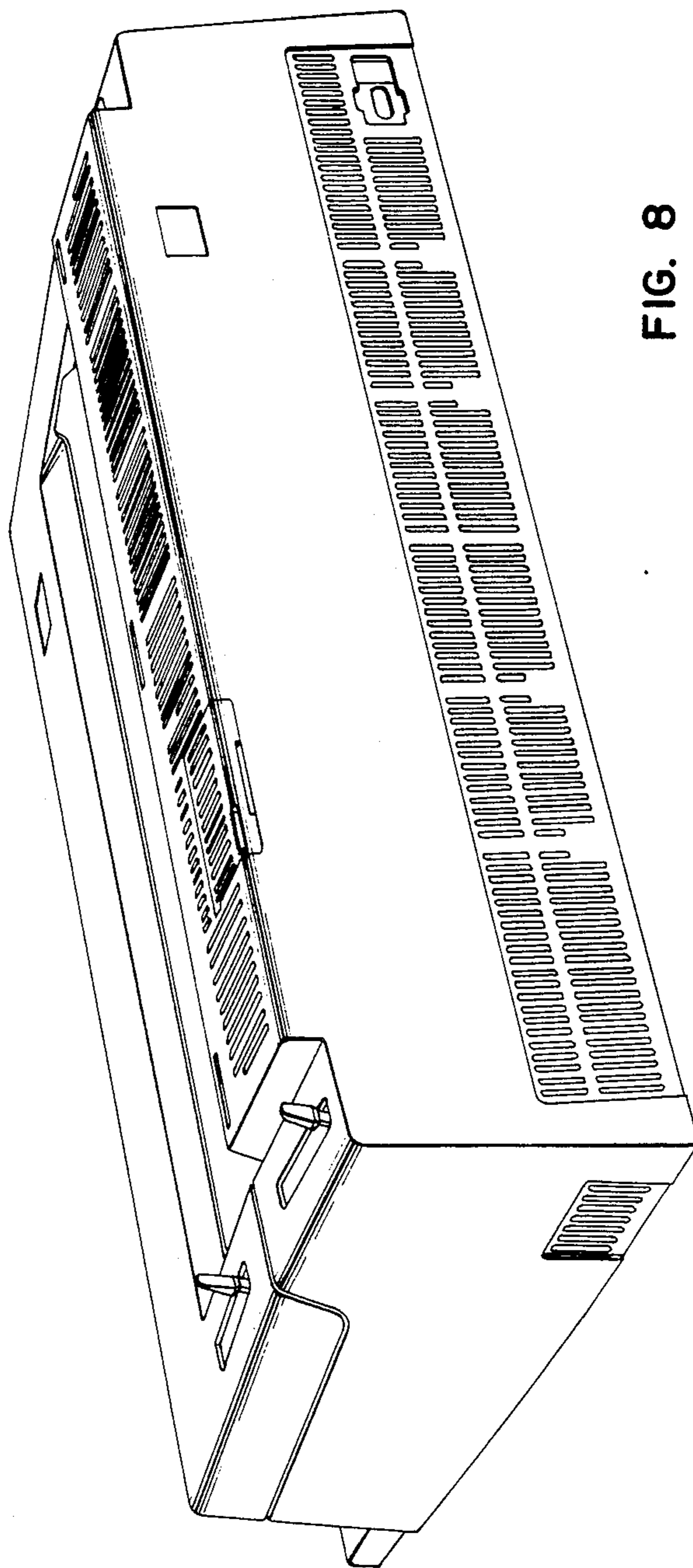


FIG. 8

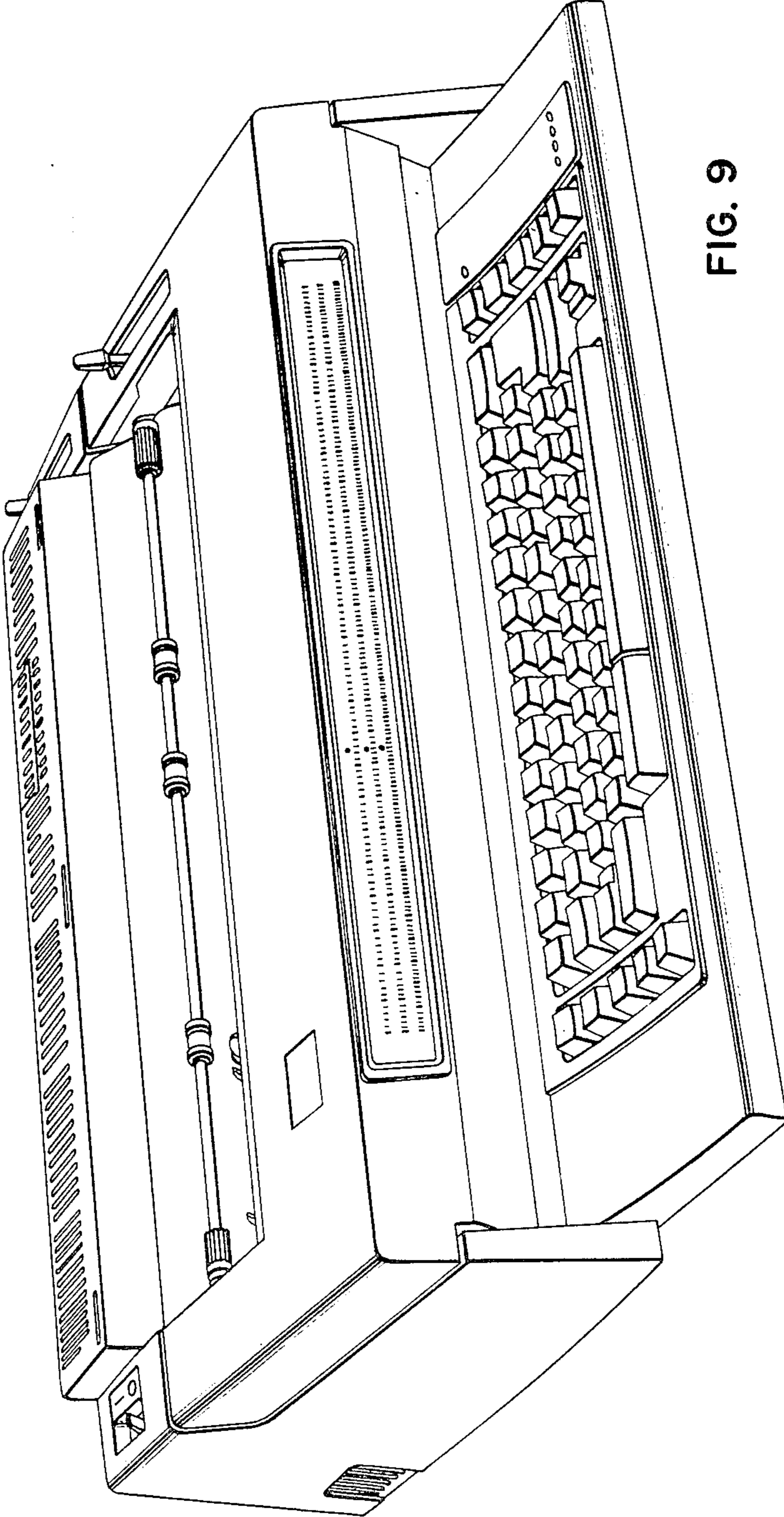


FIG. 9

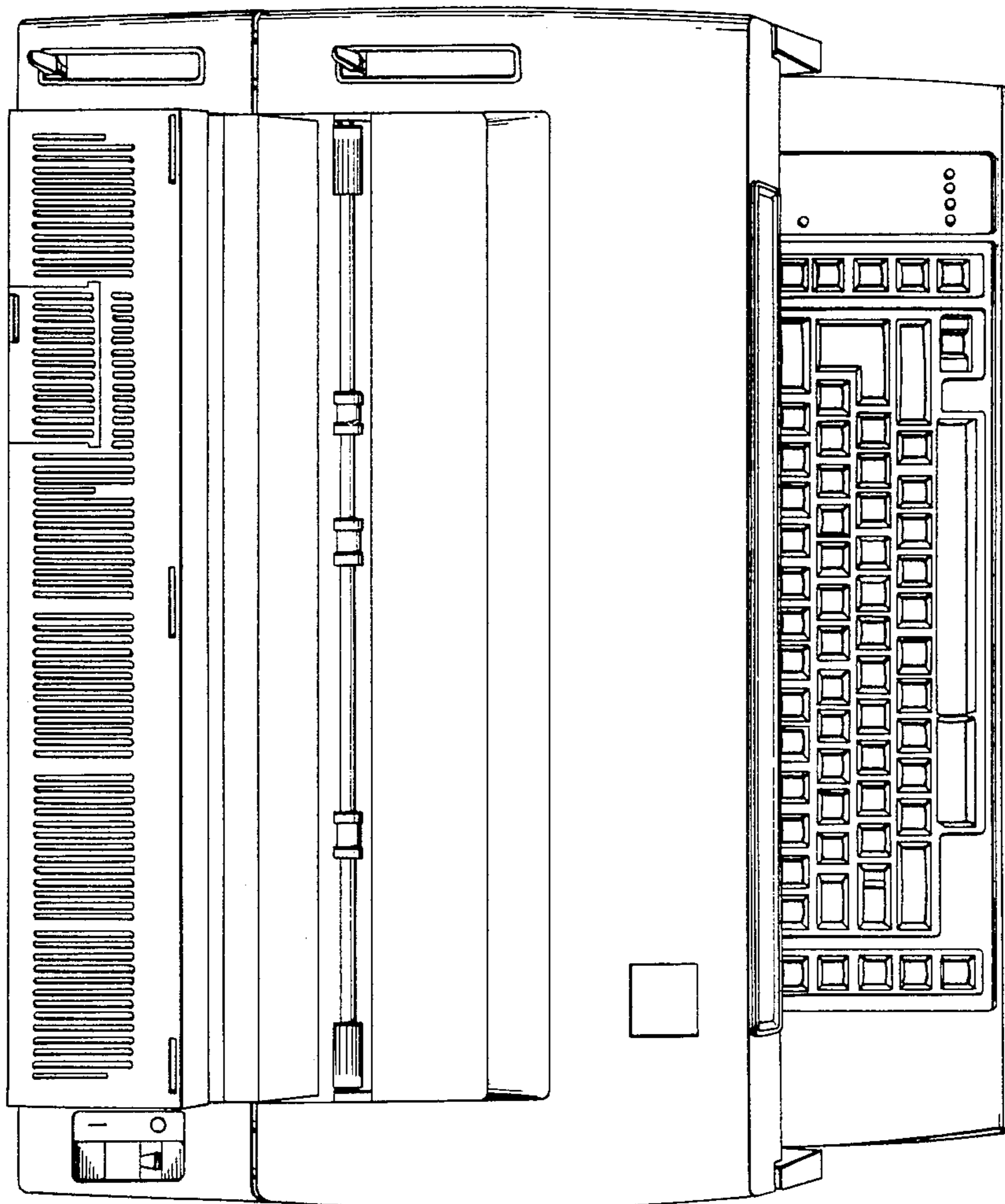


FIG. 10

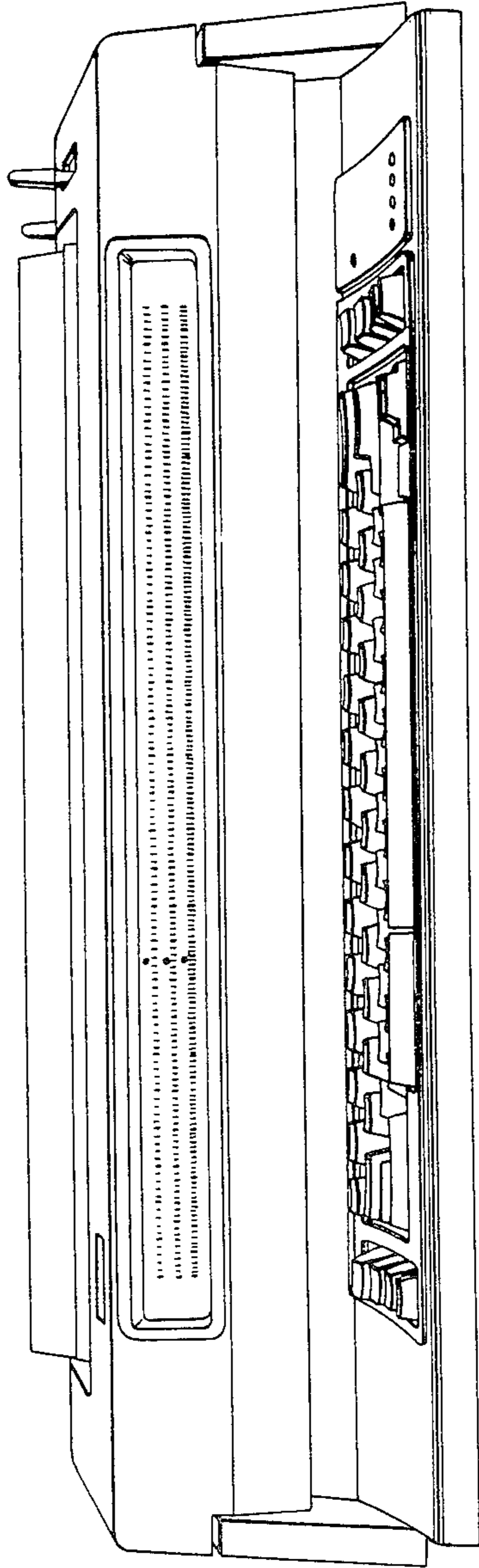


FIG. 11