

[54] ICE CUBE TRAY

2,257,377 9/1941 Haben ..... 249/121

[76] Inventor: William Barnhart, 629 Ransom, Ripon, Wis. 54971

Primary Examiner—Wallace R. Burke  
Assistant Examiner—Lynn Wilder  
Attorney, Agent, or Firm—Lockwood, Alex, FitzGibbon & Cummings

[\*\*] Term: 14 Years

[21] Appl. No.: 500,837

[57] CLAIM

[22] Filed: Jun. 3, 1983

The ornamental design for an ice cube tray, substantially as shown and described.

[52] U.S. Cl. .... D15/90

[58] Field of Search ..... D15/90; D7/43, 44; 249/118, 119, 121, 127-132, 203

DESCRIPTION

[56] References Cited

FIG. 1 is a perspective view of an ice cube tray showing my new design;

U.S. PATENT DOCUMENTS

FIG. 2 is a top plan view thereof;

D. 125,151 2/1941 Fagan ..... D15/90

FIG. 3 is a side elevational view thereof, the other three sides being identical thereto; and

D. 179,060 10/1956 Bliss ..... D15/90

FIG. 4 is a bottom plan view thereof.

2,097,356 10/1937 Truesdale ..... D7/43

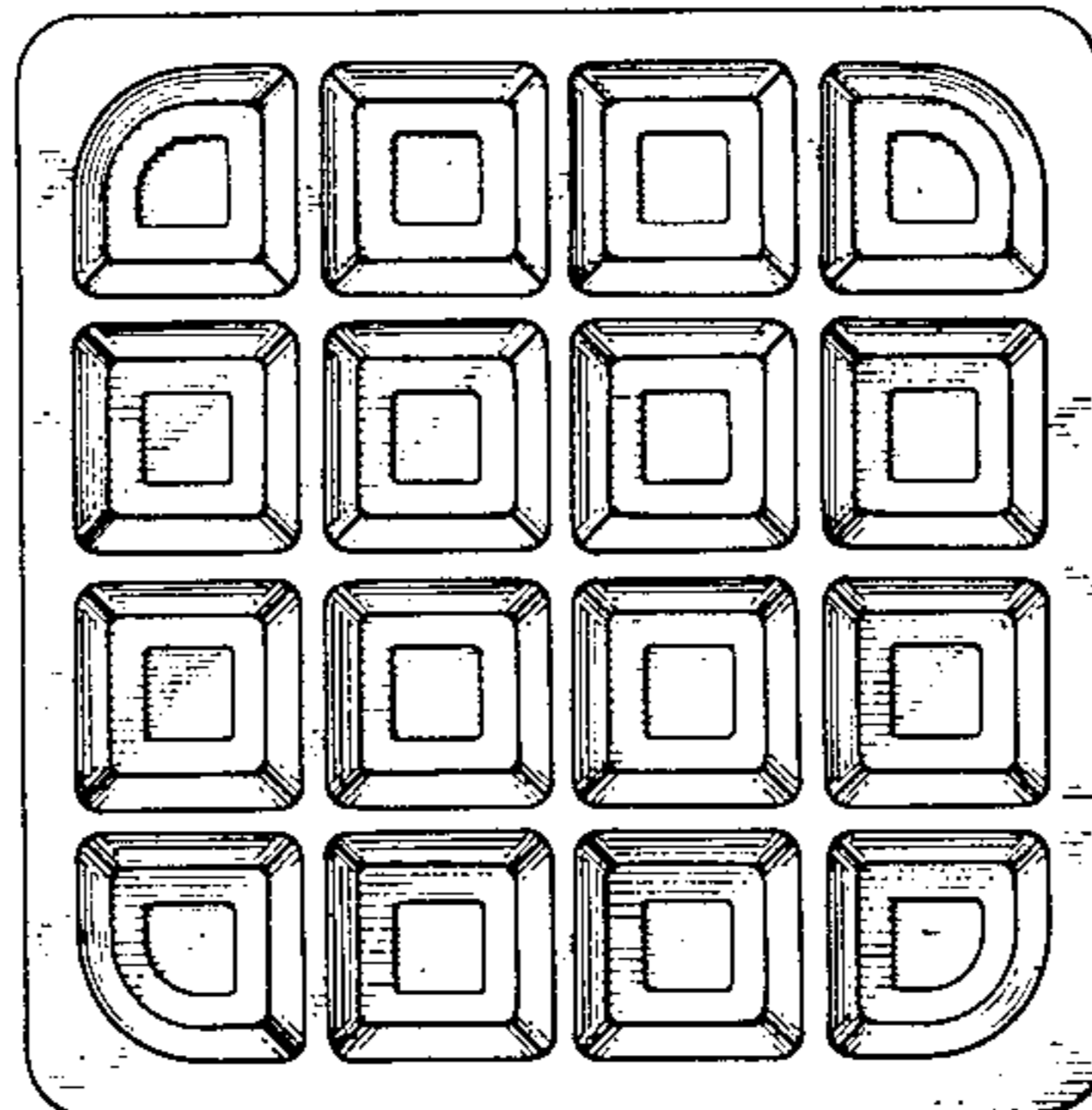
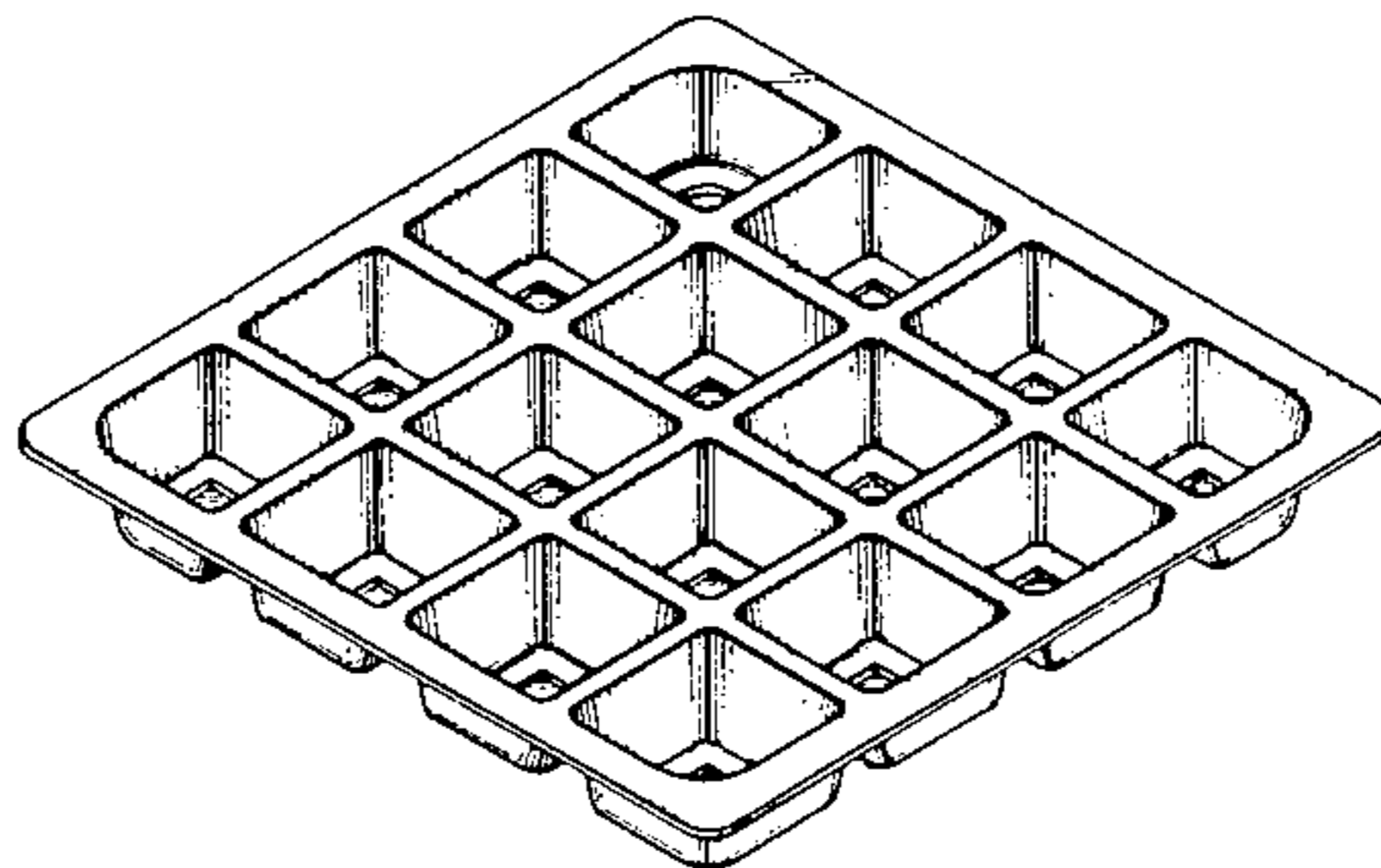


FIG. 1

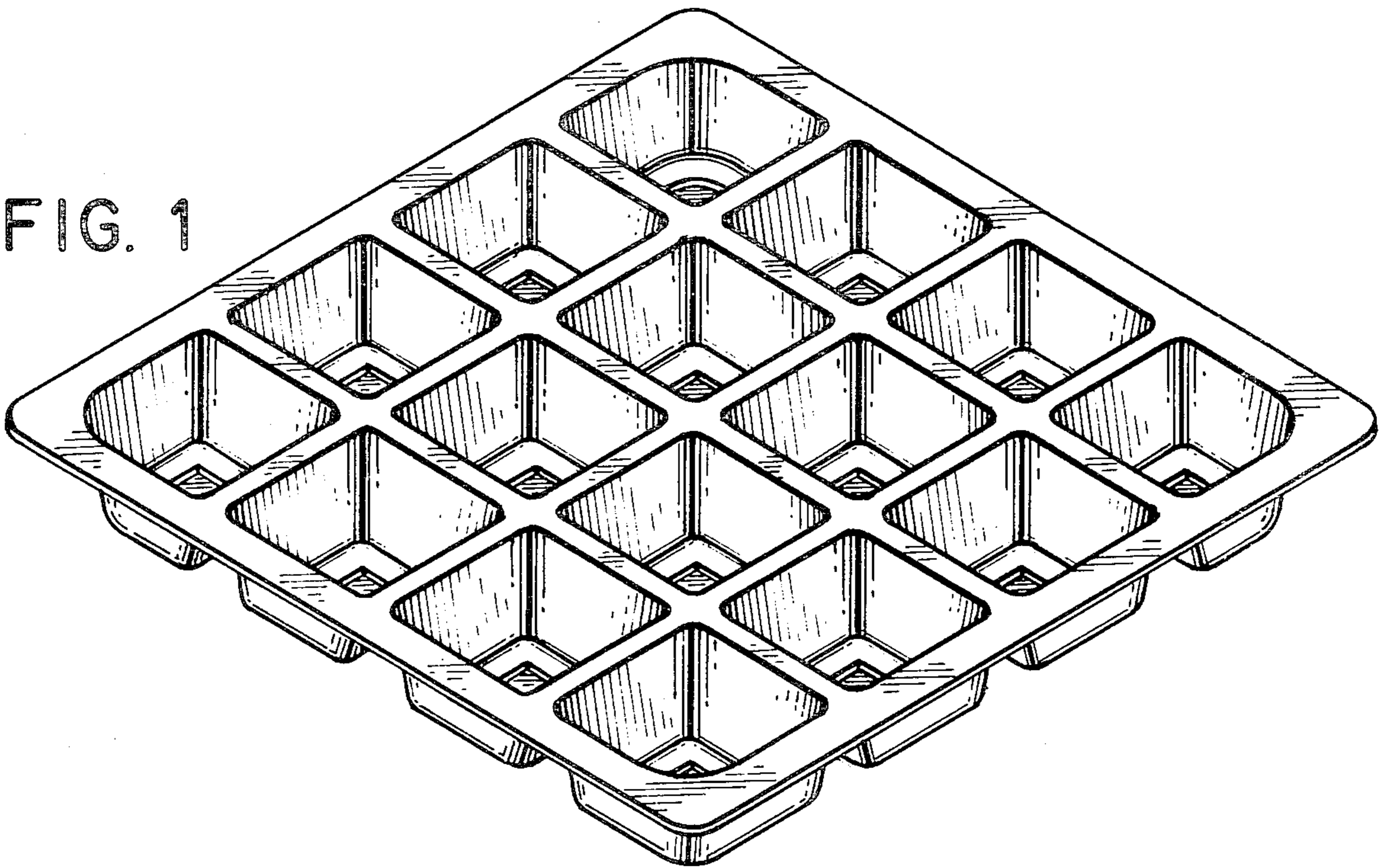


FIG. 2

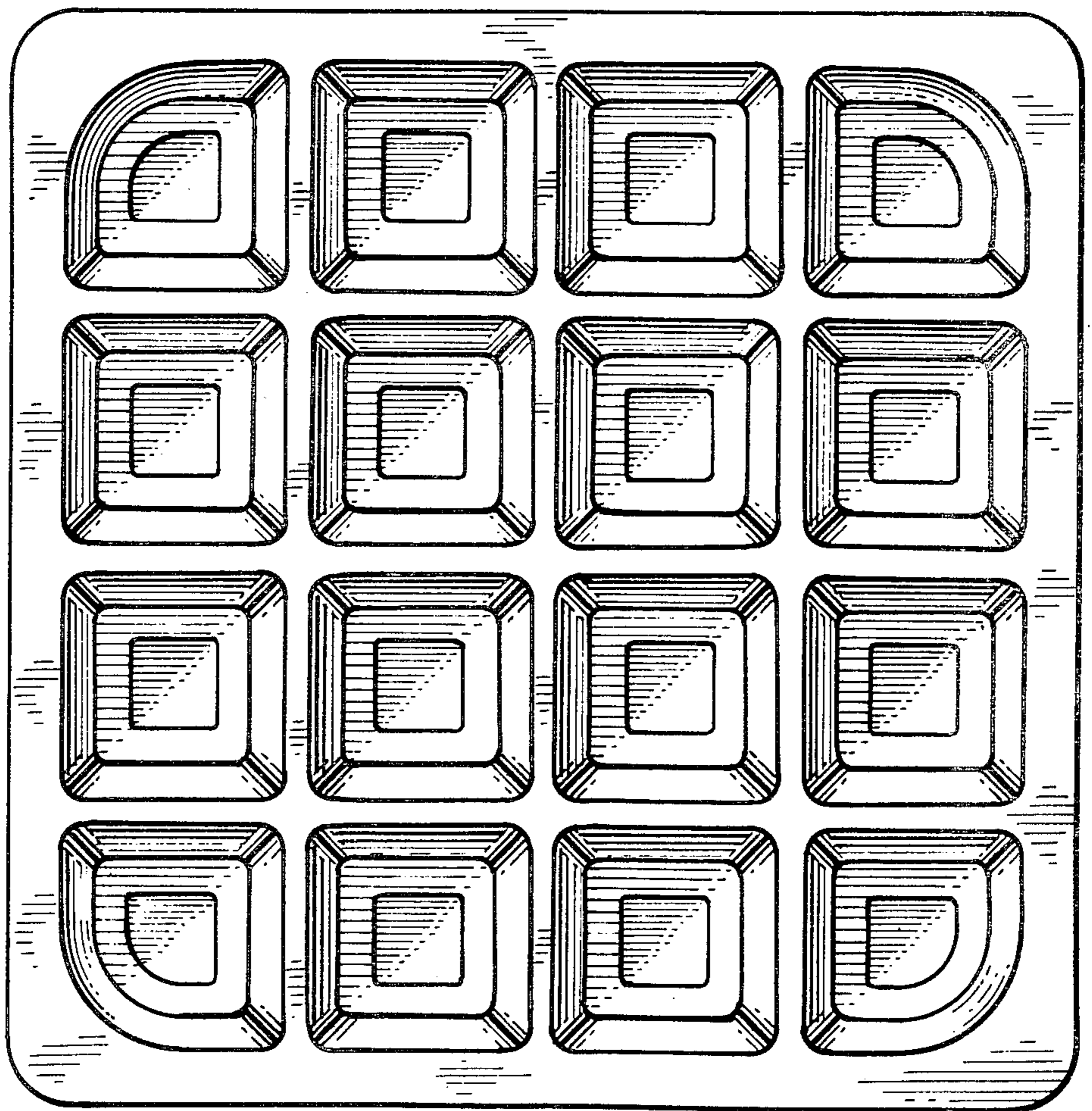


FIG. 3

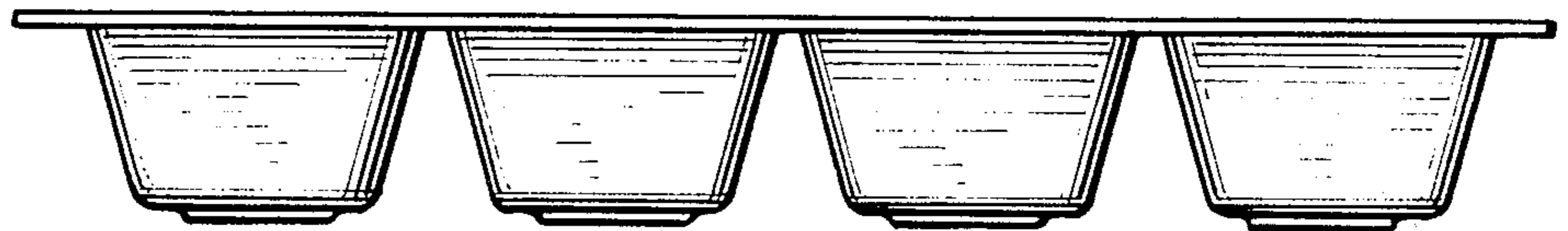


FIG. 4

