

[54] PULLED AERATOR

[75] Inventor: Charles W. Doering, Louisville, Ky.

[73] Assignee: Brinly-Hardy Co., Inc., Louisville, Ky.

[**] Term: 14 Years

[21] Appl. No.: 566,509

[22] Filed: Dec. 29, 1983

[52] U.S. Cl. D15/27

[58] Field of Search D15/10, 11, 27, 28; 172/21, 548, 540, 604

[56] References Cited

U.S. PATENT DOCUMENTS

2,881,847	4/1959	Strasel	172/21
3,062,300	11/1962	Bullard	172/21
4,047,576	9/1977	Rau et al.	172/540
4,202,414	5/1980	vom Braucke et al.	172/21

FOREIGN PATENT DOCUMENTS

0806176	3/1949	Fed. Rep. of Germany	172/548
2445098	8/1980	France	172/21

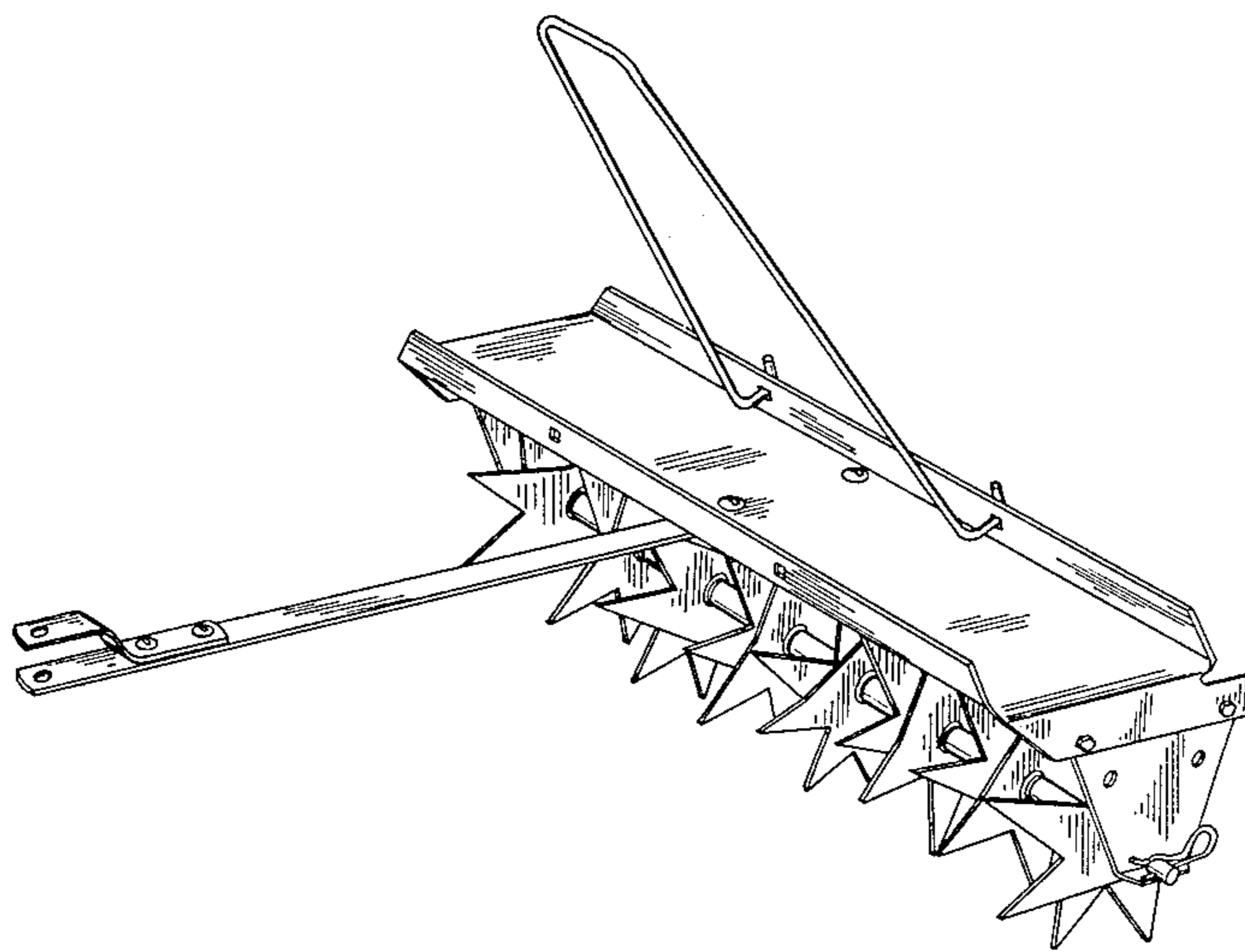
Primary Examiner—B. J. Bullock
Assistant Examiner—Suzanne N. Gitlin
Attorney, Agent, or Firm—Frank C. Leach, Jr.

[57] CLAIM

The ornamental design for a pulled aerator, substantially as shown and described.

DESCRIPTION

FIG. 1 is a reduced right side perspective view of a pulled aerator showing my new design; FIG. 2 is a right side elevational view thereof; FIG. 3 is a top plan view thereof; FIG. 4 is a front elevational view thereof; FIG. 5 is a bottom plan view thereof. In FIGS. 2-5, the handle and hitch are shown broken away for ease of illustration.



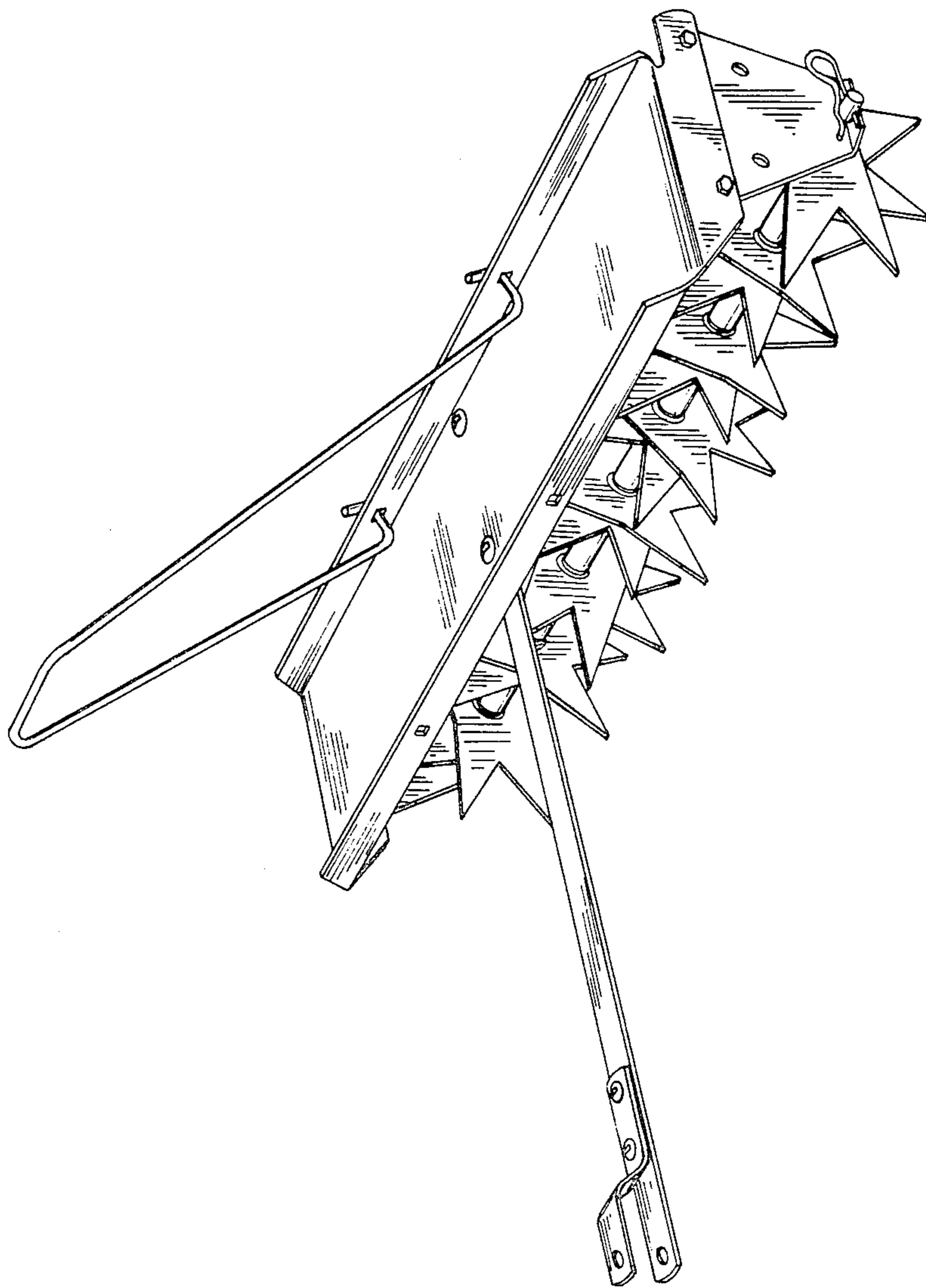


FIG. 1

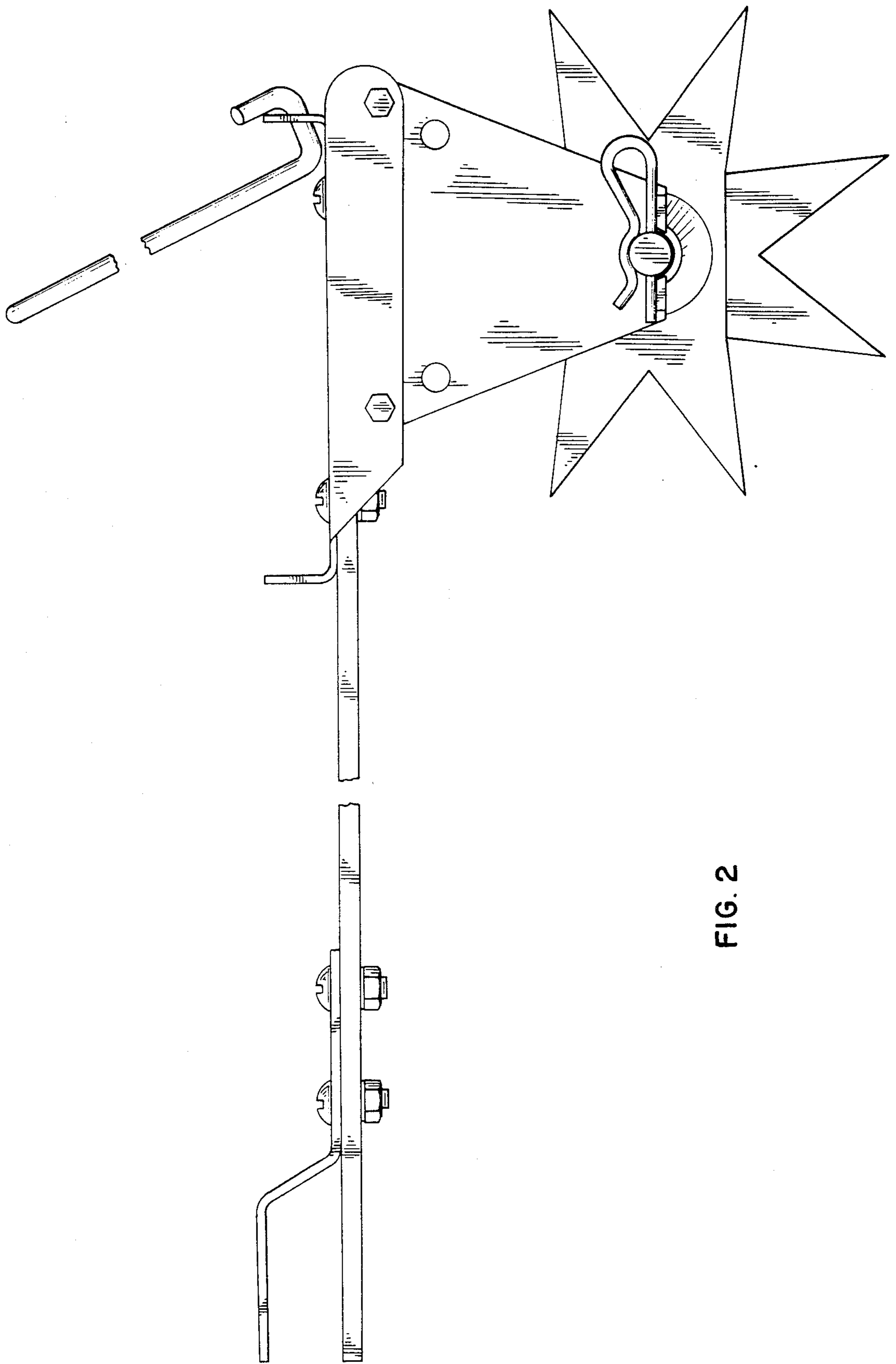


FIG. 2

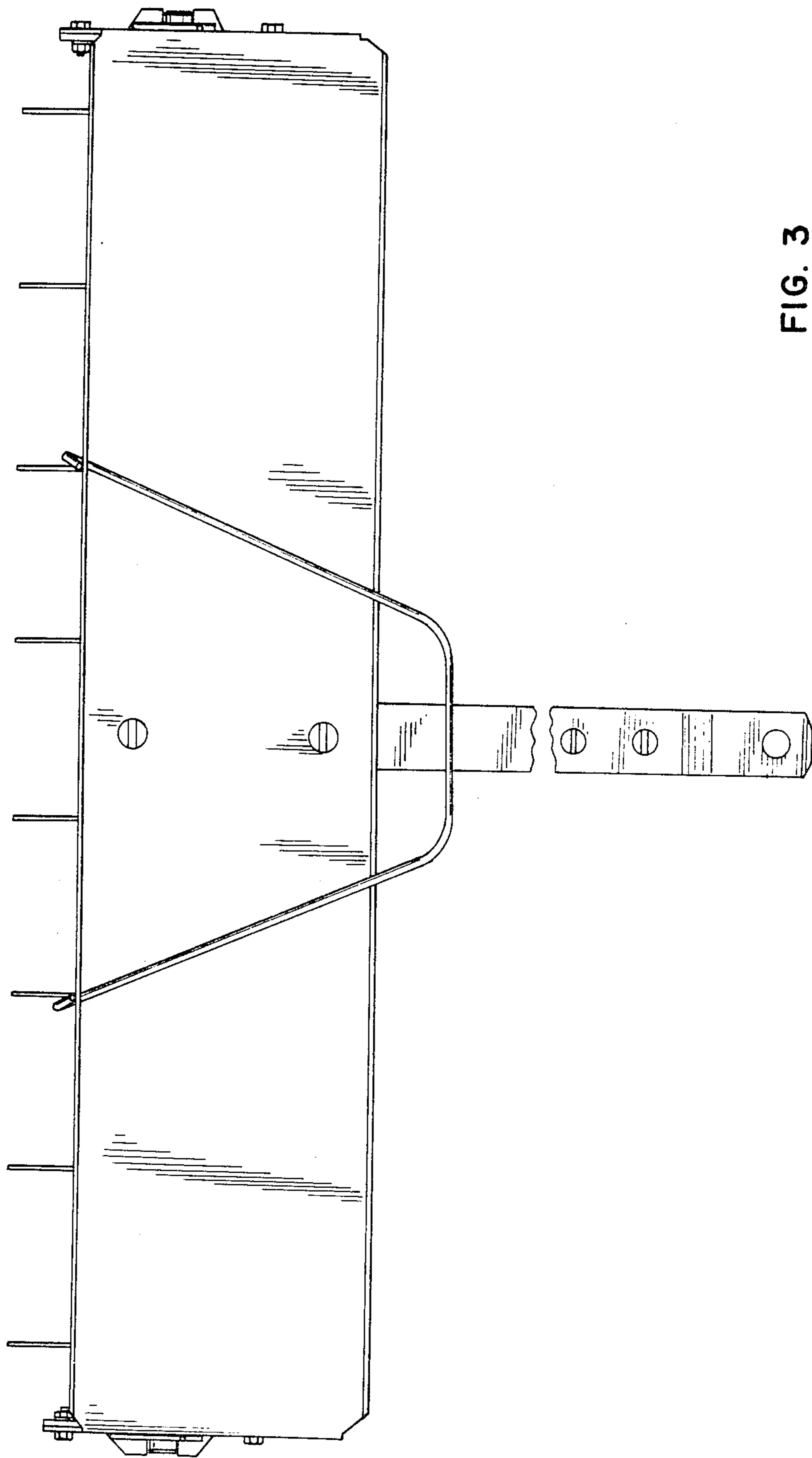


FIG. 3

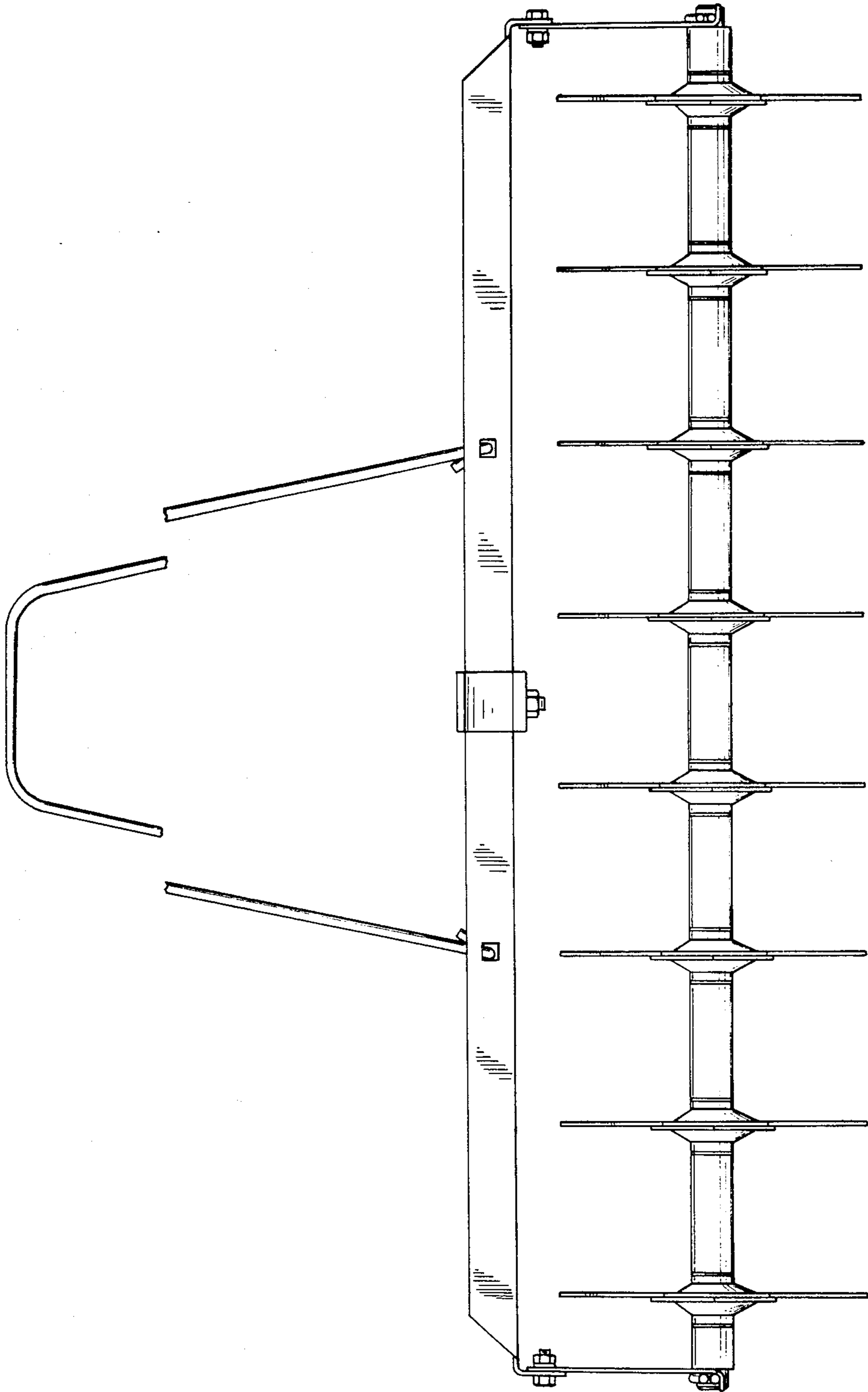


FIG. 4

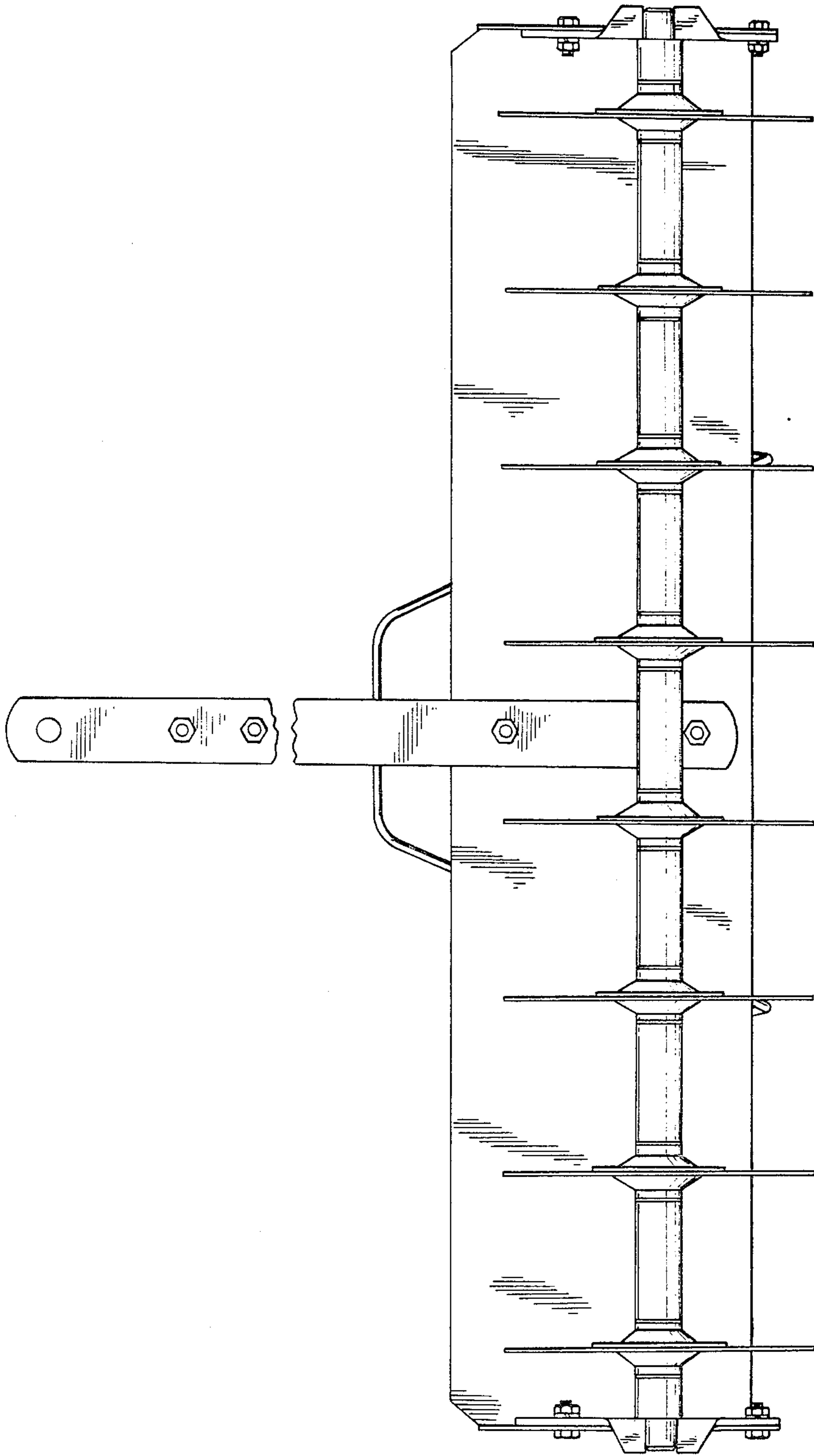


FIG. 5