

[54] HOUSING FOR A LAWN MOWER

[75] Inventor: Kazuharu Nakamura, Aichi, Japan

[73] Assignee: Toyotomi Kogyo Co., Ltd., Aichi, Japan

[**] Term: 14 Years

[21] Appl. No.: 525,727

[22] Filed: Aug. 23, 1983

[30] Foreign Application Priority Data

Feb. 23, 1983 [JP] Japan 58-7452

[52] U.S. Cl. D15/14

[58] Field of Search D15/10, 14, 17, 18, D15/33; 56/320.2, 255

[56] References Cited

U.S. PATENT DOCUMENTS

D. 215,013	9/1969	Holm	D15/14
D. 252,205	6/1979	Knight	D15/14
B. 494,167	3/1976	Comer	56/320.2
3,400,523	9/1968	Klingofstrom	56/320.2
4,194,345	3/1980	Pioch et al.	56/320.2

FOREIGN PATENT DOCUMENTS

0971757	7/1975	Canada	56/320.2
2908416	9/1980	Fed. Rep. of Germany	56/320.2
484511	9/1978	Japan	.	
535056	7/1980	Japan	.	

OTHER PUBLICATIONS

Hardware Age, 10/11/1956, p. 155, Lawn Mower located at the lower left corner.

Primary Examiner—B. J. Bullock

Assistant Examiner—Suzanne N. Gitlin

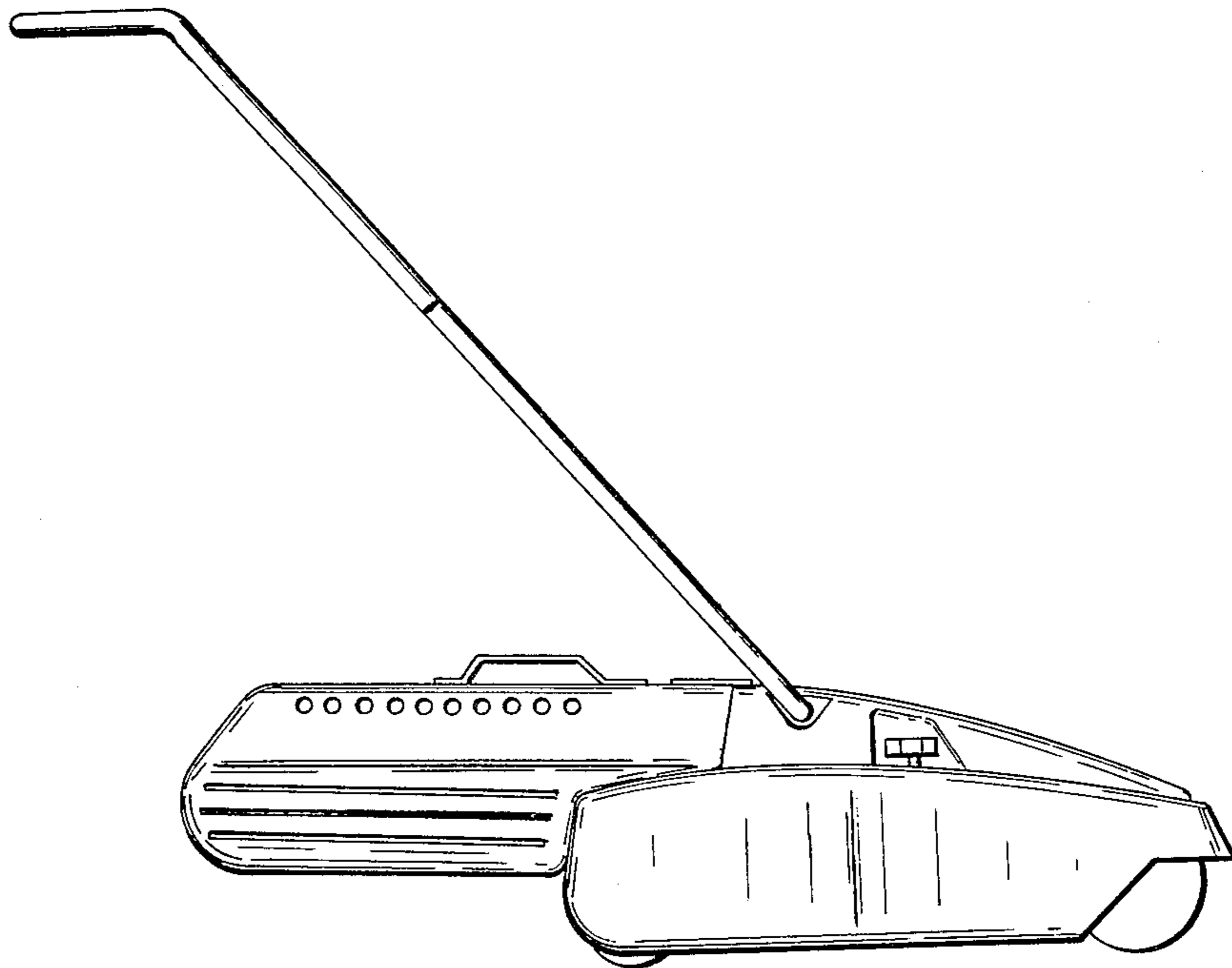
Attorney, Agent, or Firm—Pollock, Vande Sande & Priddy

[57] CLAIM

The ornamental design for a housing for a lawn mower, substantially as shown and described.

DESCRIPTION

FIG. 1 is a right side elevational view of a housing for a lawn mower showing my new design; FIG. 2 is a front elevational view thereof; FIG. 3 is a left side elevational view thereof; FIG. 4 is a rear elevational view thereof; FIG. 5 is a top plan view thereof; and, FIG. 6 is a bottom plan view thereof.



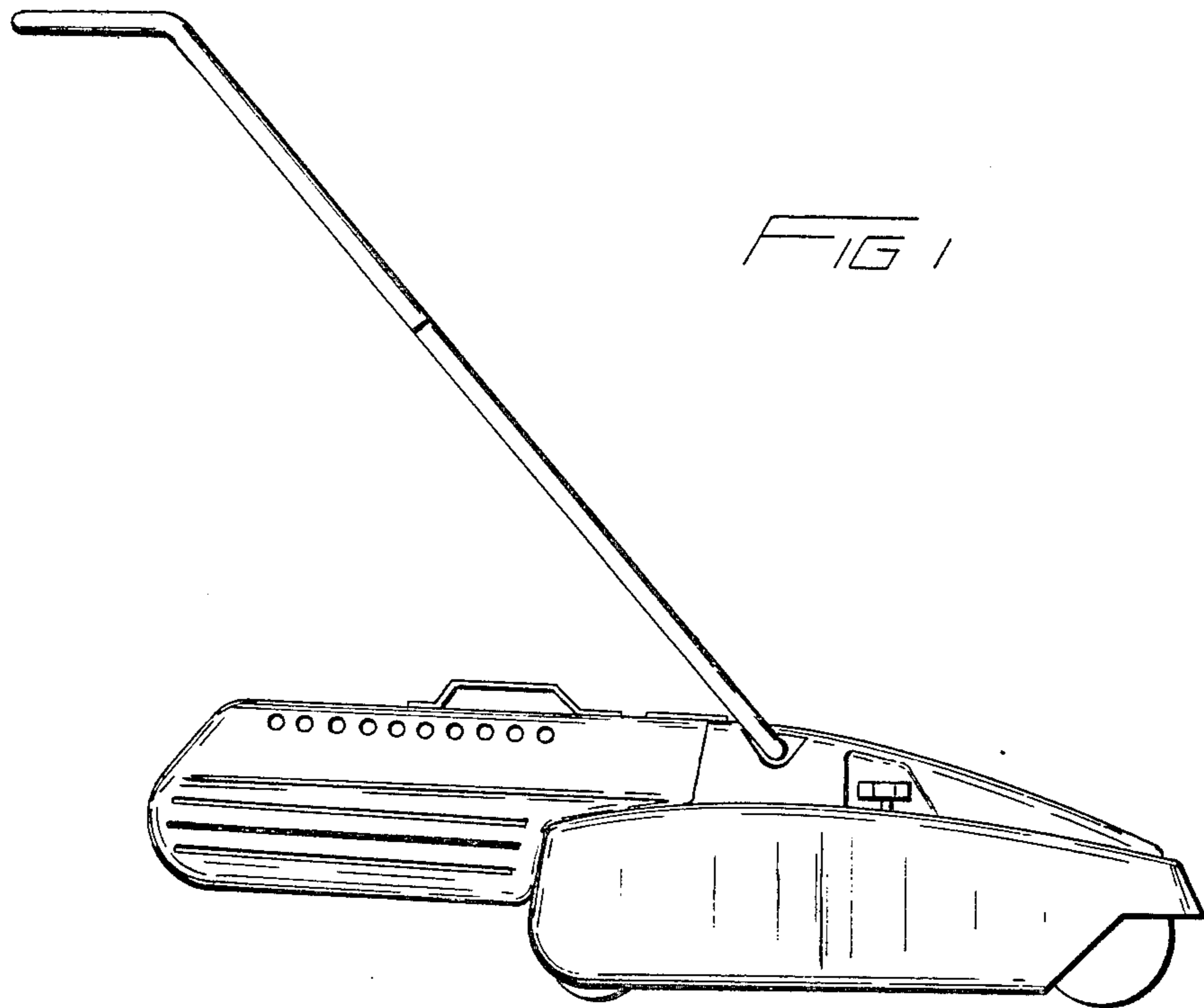


FIG 1

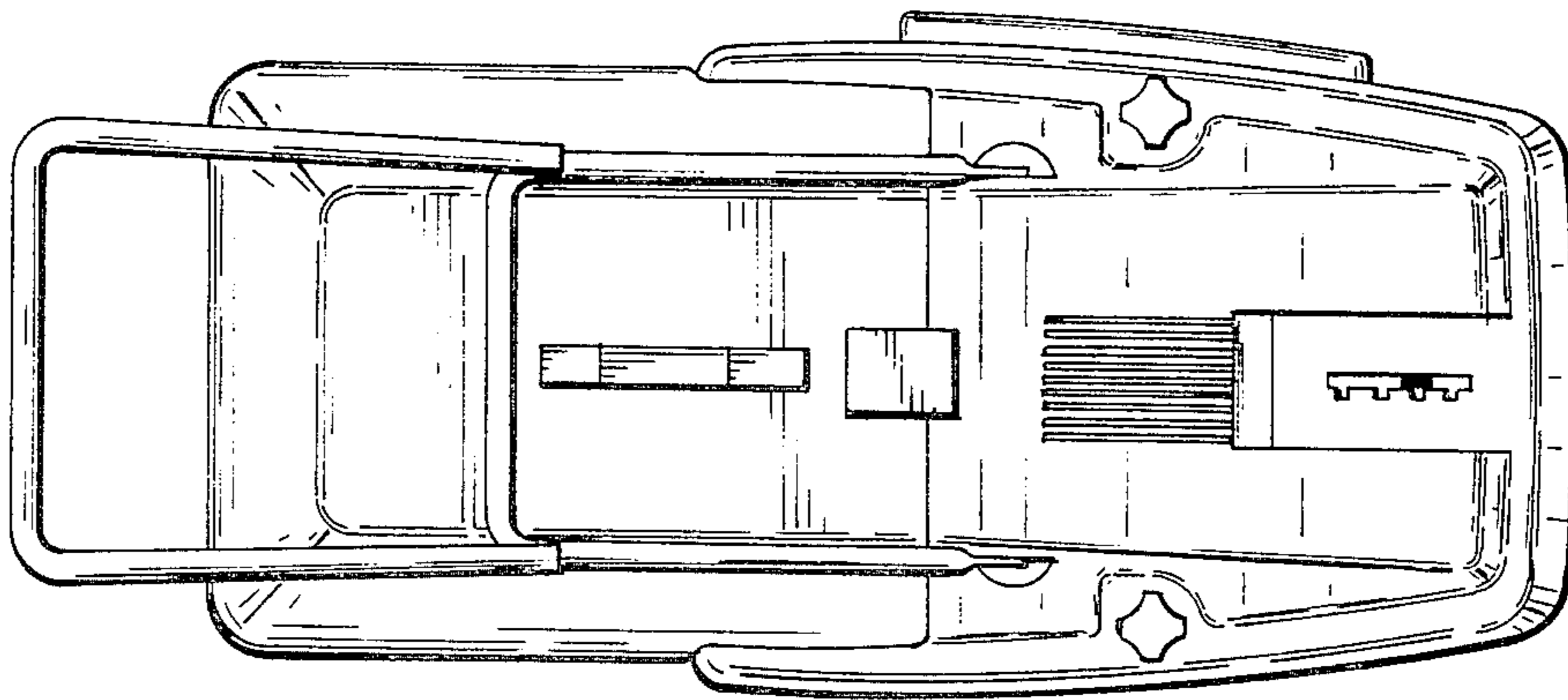


FIG 5

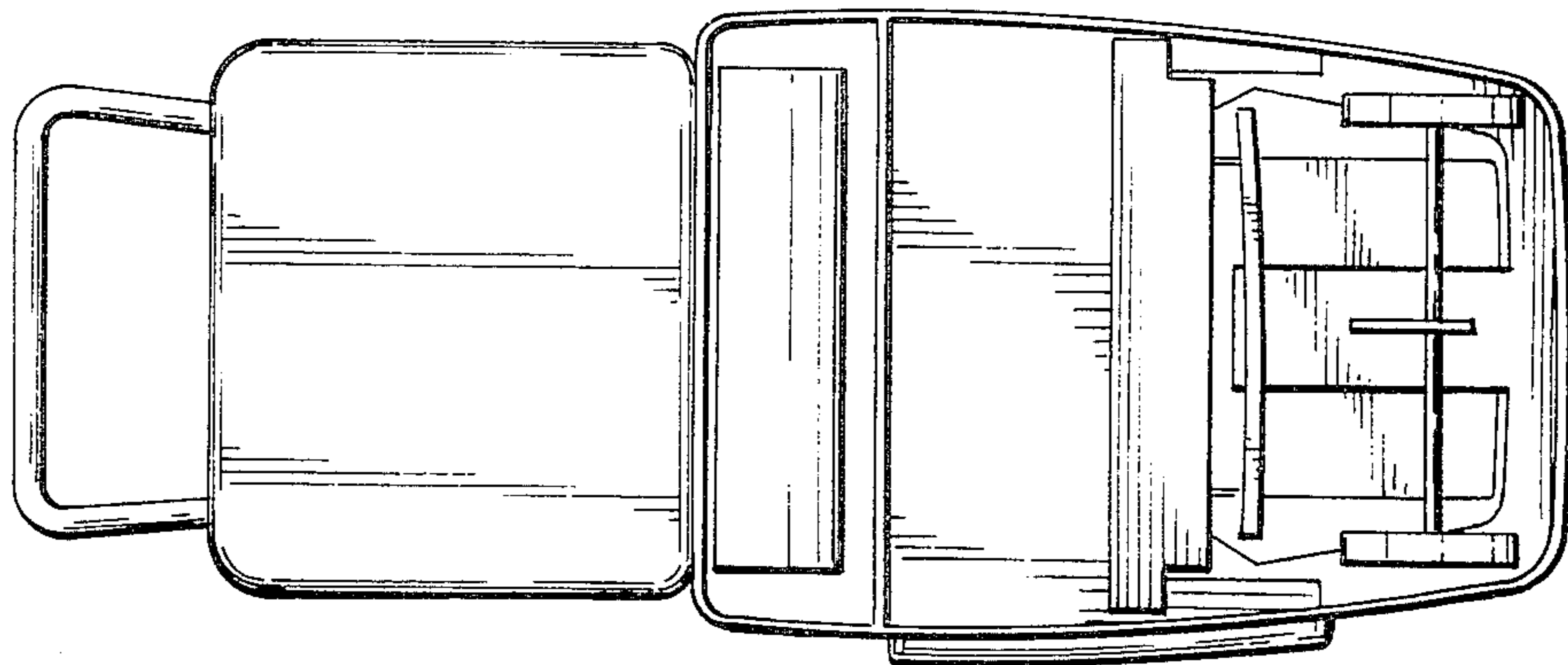


FIG 6

FIG 3

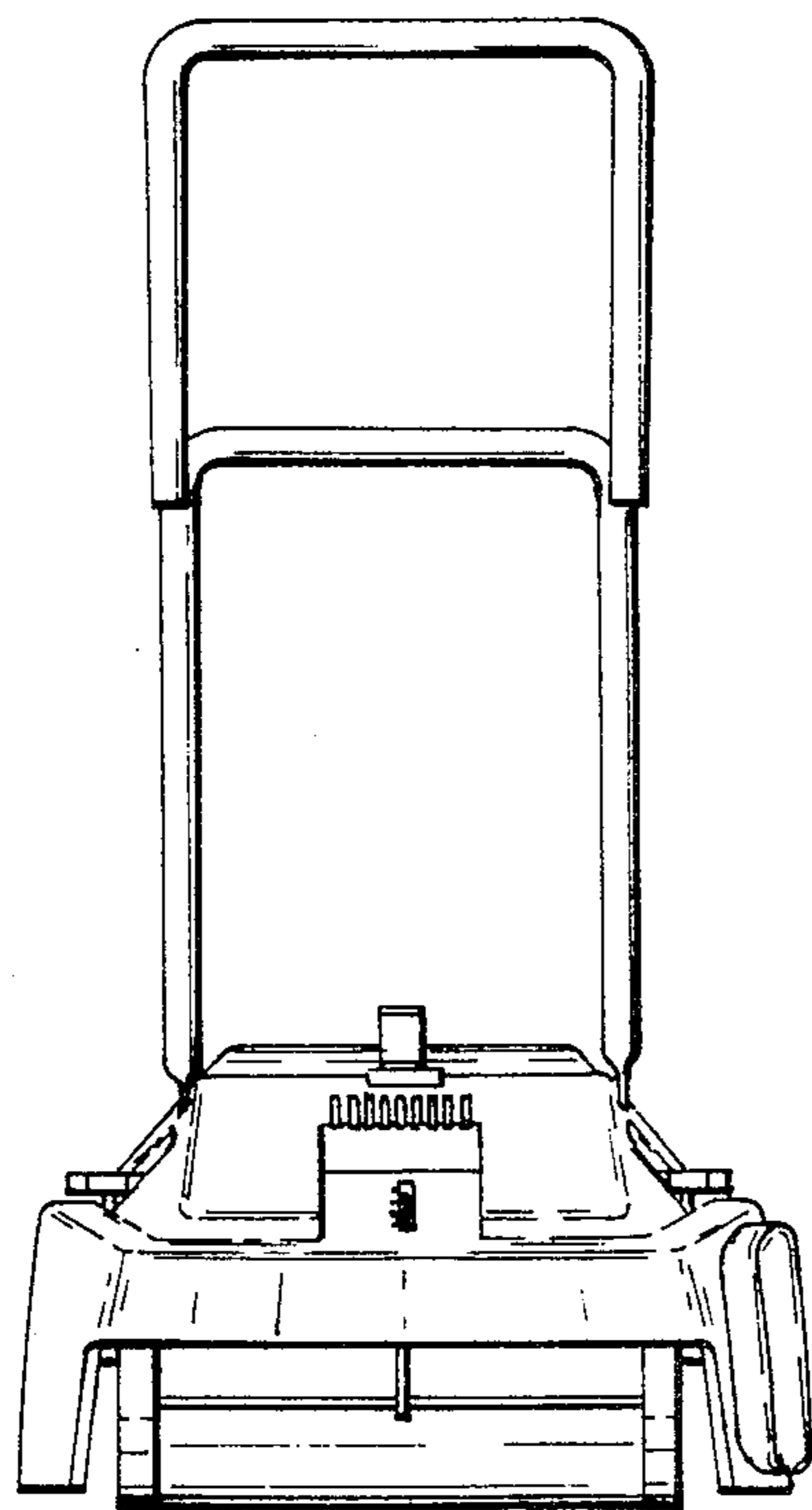
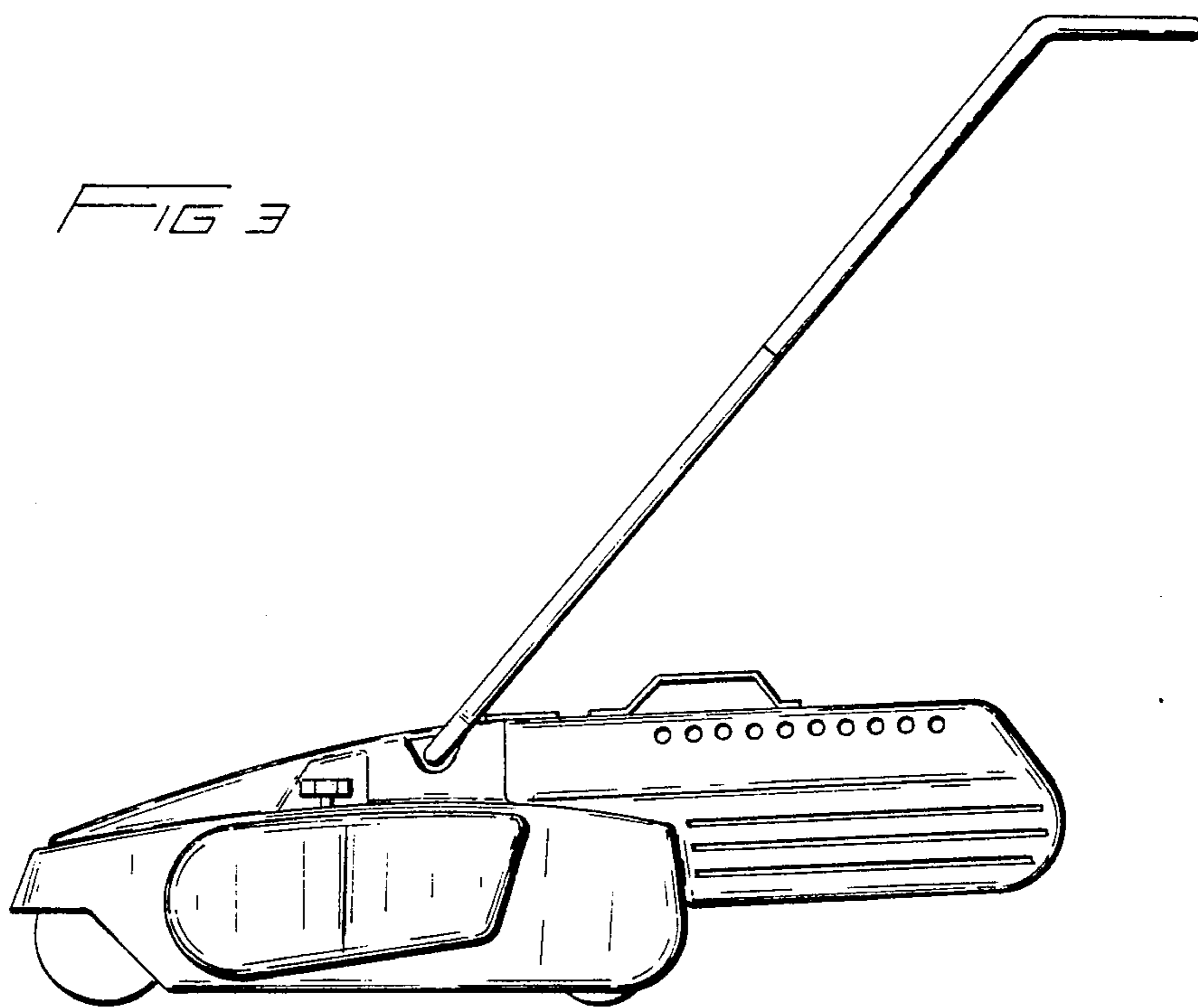


FIG 2

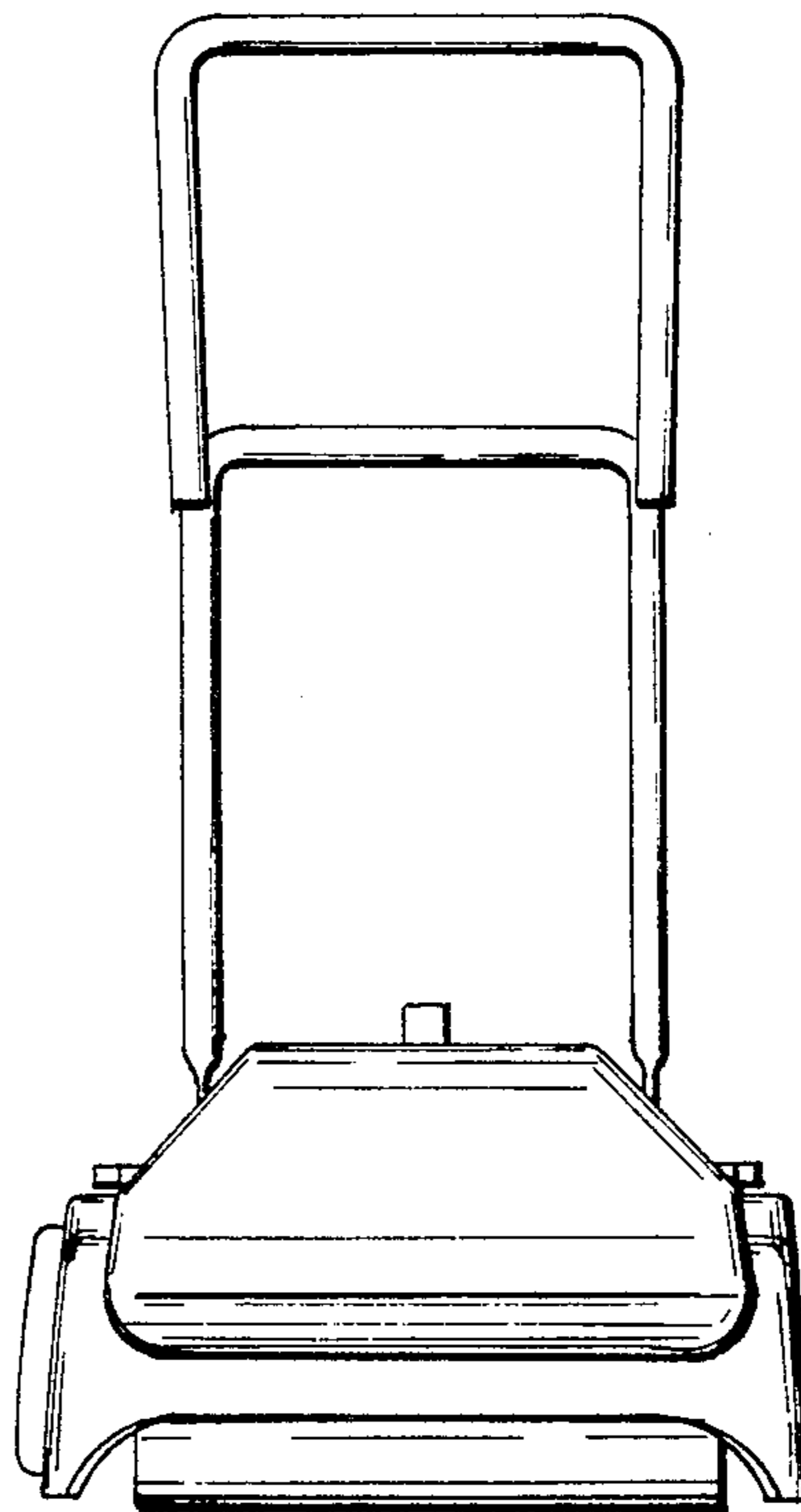


FIG 4