

[54] **AIR COMPRESSOR**

[75] **Inventor: Alberto Vitaloni, Turin, Italy**

[73] **Assignee: Balma S.p.A., Italy**

[**] **Term: 14 Years**

[21] **Appl. No.: 541,390**

[22] **Filed: Oct. 11, 1983**

[30] **Foreign Application Priority Data**

Apr. 11, 1983 [IT] Italy 53176/83[U]

[52] **U.S. Cl. D15/9**

[58] **Field of Search D15/7, 9; 417/222, 231,
417/259, 265, 266, 268, 234, 415**

[56] **References Cited**

U.S. PATENT DOCUMENTS

D. 273,789 5/1984 Davis D15/9
D. 273,958 5/1984 Mariol D15/9

OTHER PUBLICATIONS

Gast Mf. Corp. Brochure Catalog #5-30.

Primary Examiner—Wallace R. Burke
Assistant Examiner—Lynn Wilder
Attorney, Agent, or Firm—Sughrue, Mion, Zinn,
Macpeak and Seas

[57] **CLAIM**

The ornamental design for an air compressor, as shown.

DESCRIPTION

FIG. 1 is a left side elevational view of an air compressor showing my new design;
FIG. 2 is a top plan view thereof;
FIG. 3 is a right side elevational view thereof;
FIG. 4 is a front end elevational view thereof;
FIG. 5 is a bottom plan view thereof;
FIG. 6 is a rear end elevational view thereof; and
FIG. 7 is a perspective view thereof.

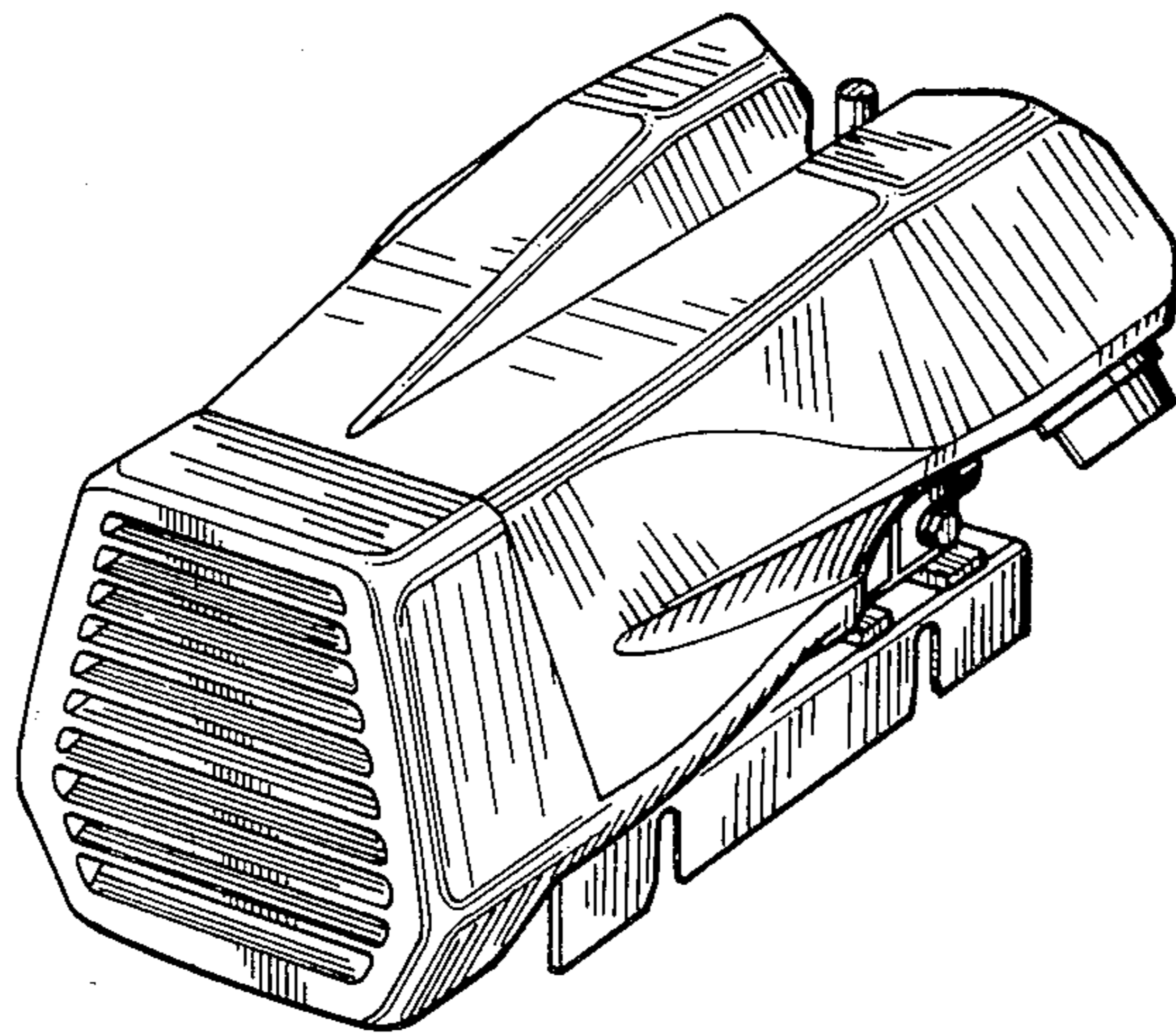


FIG. 1

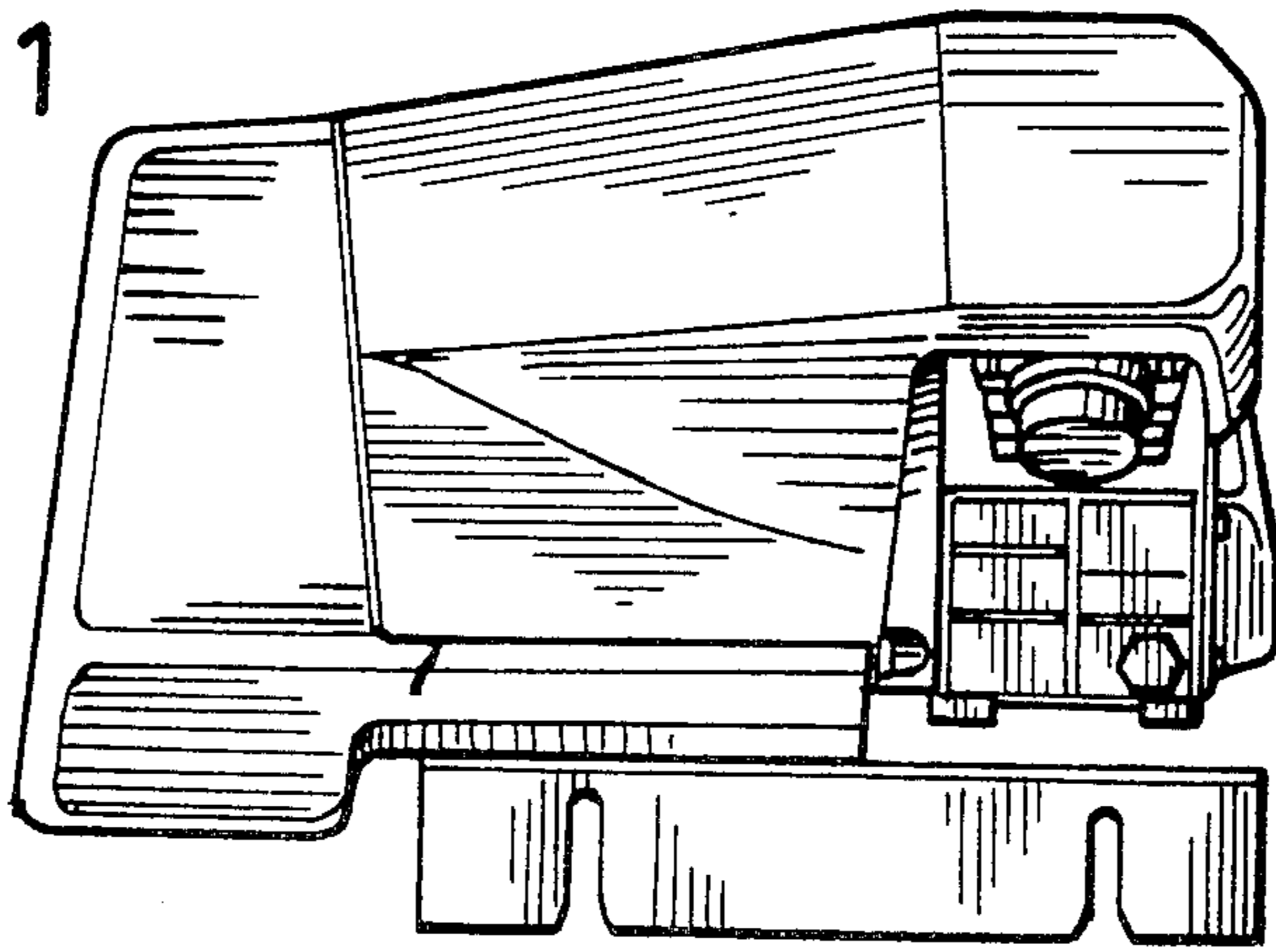


FIG. 2

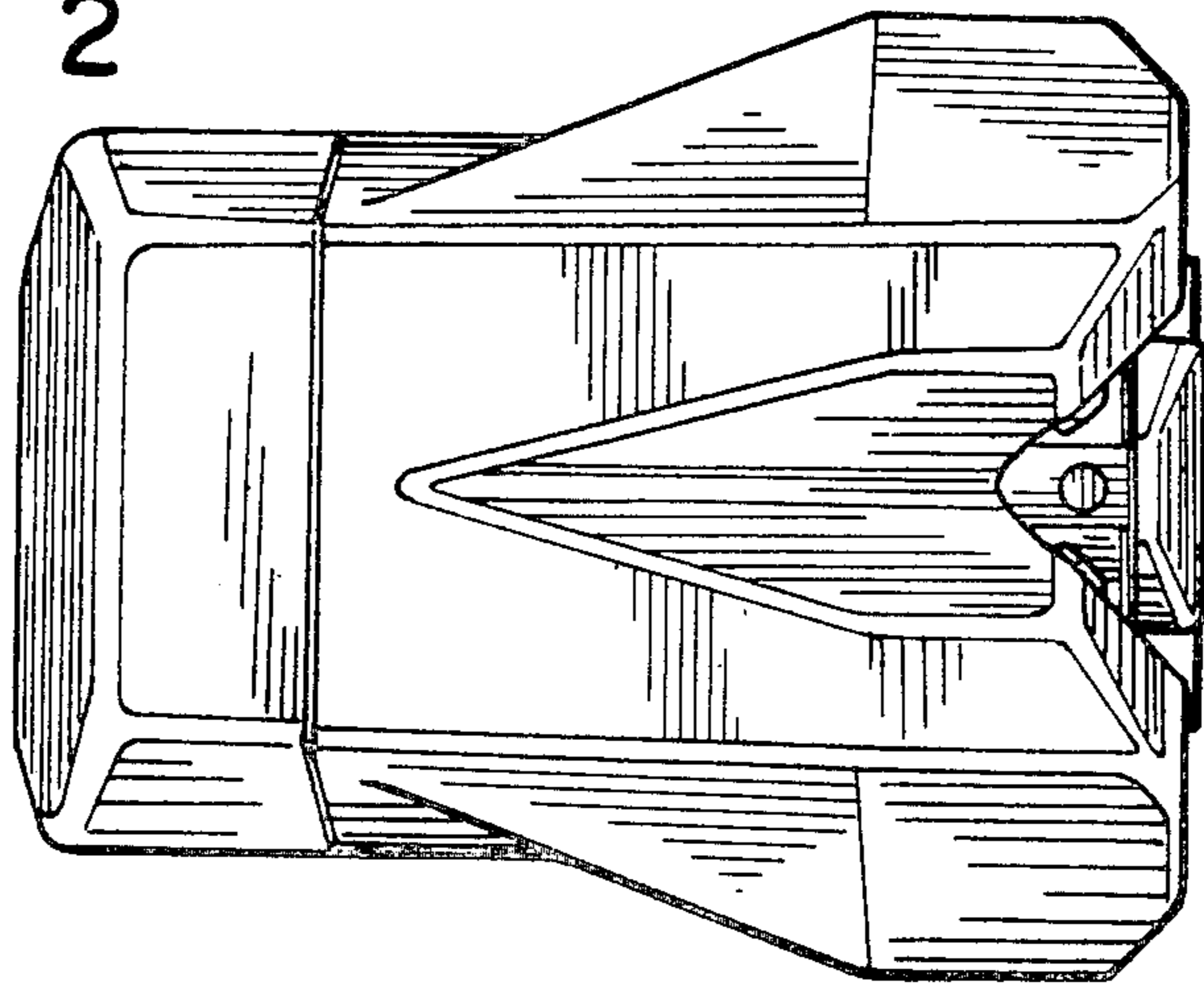
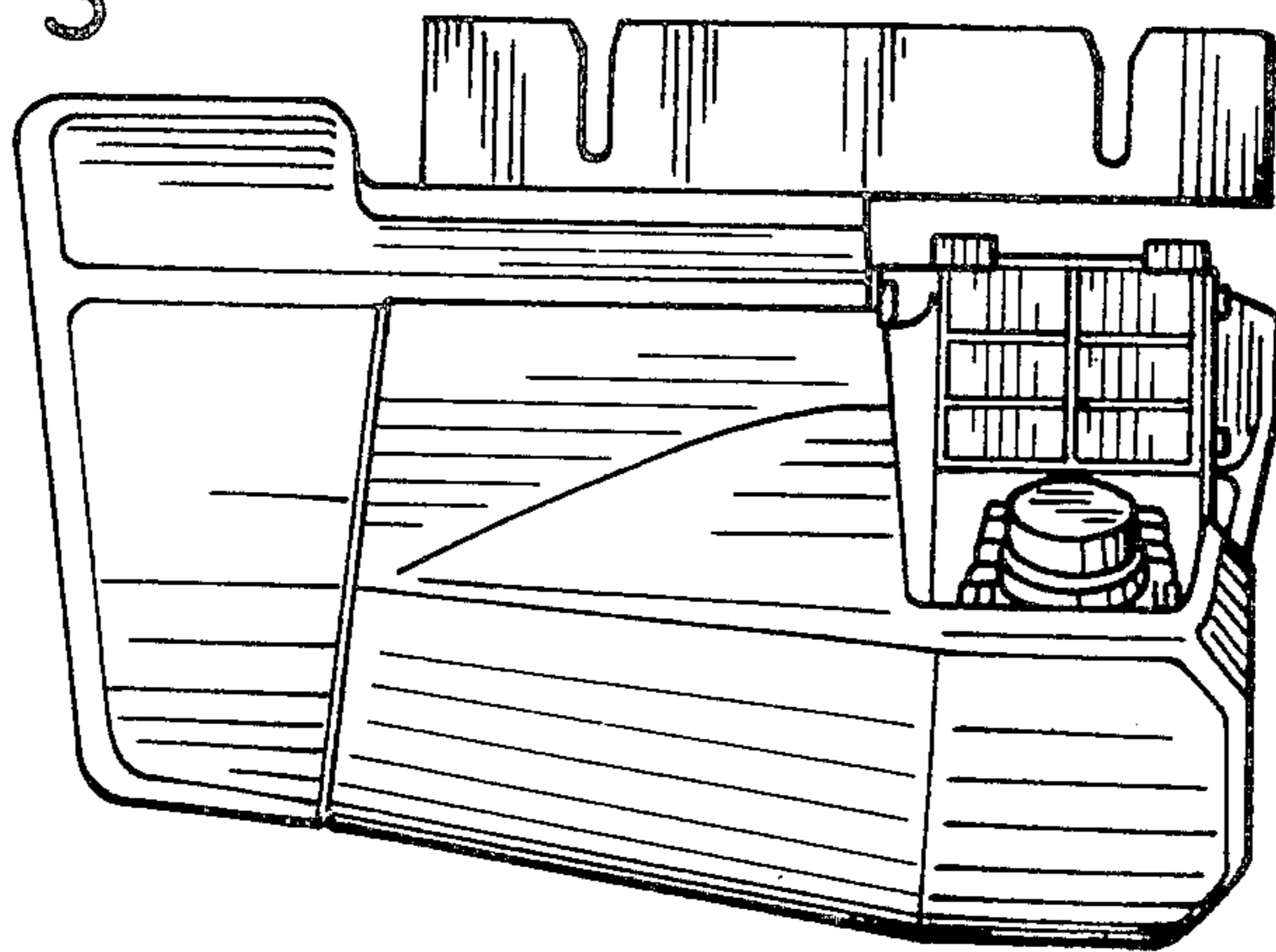


FIG. 3



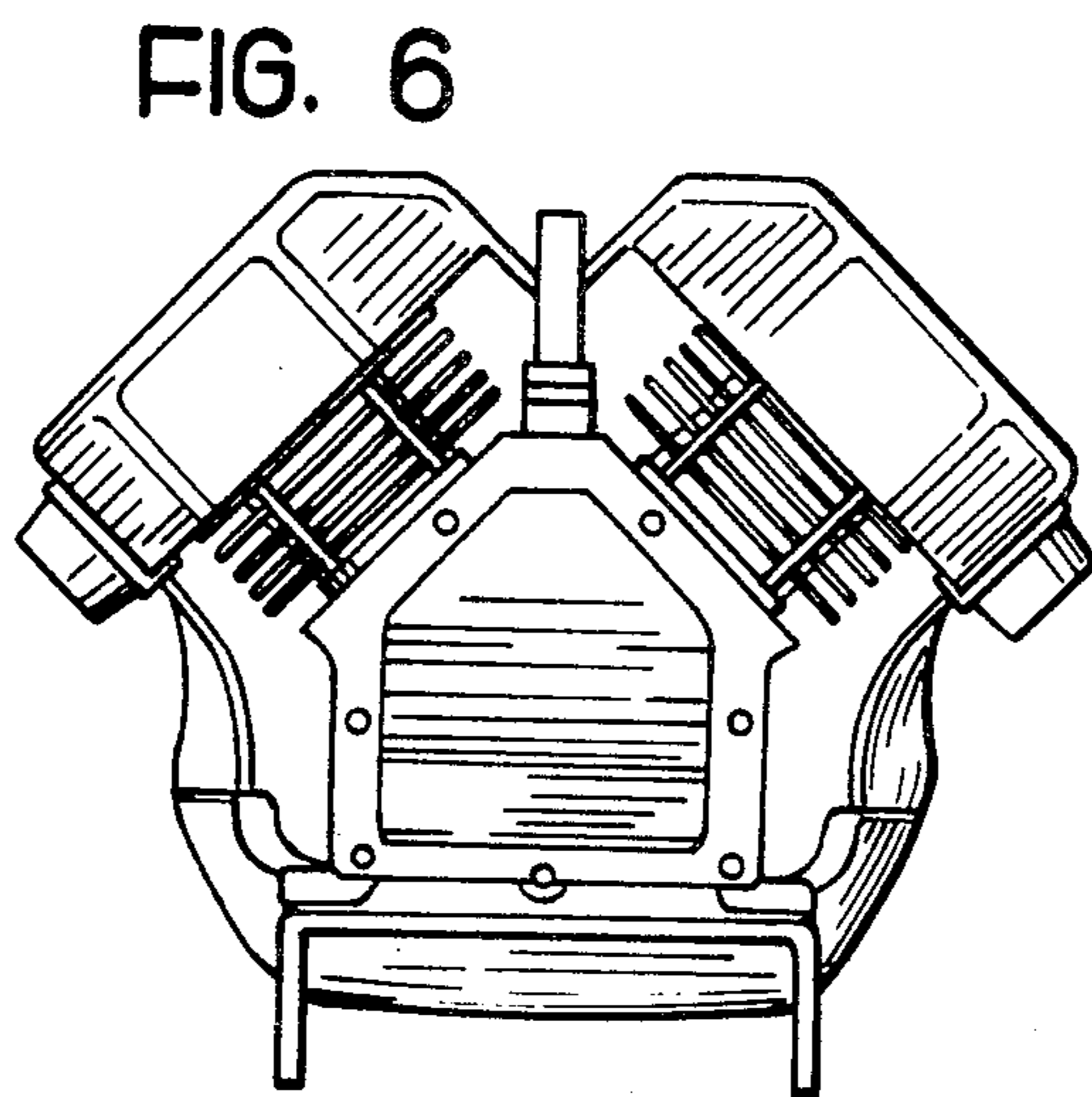
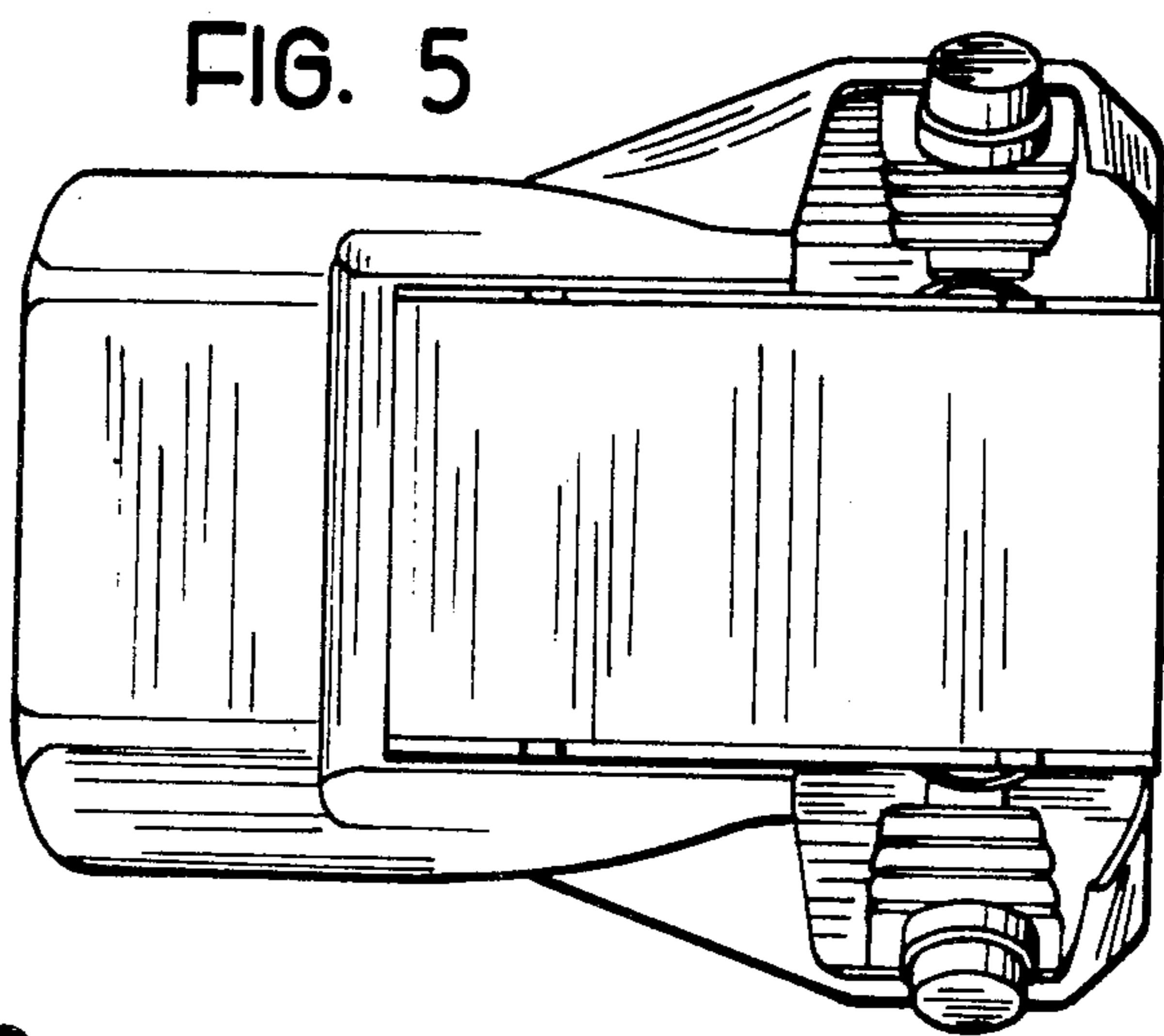
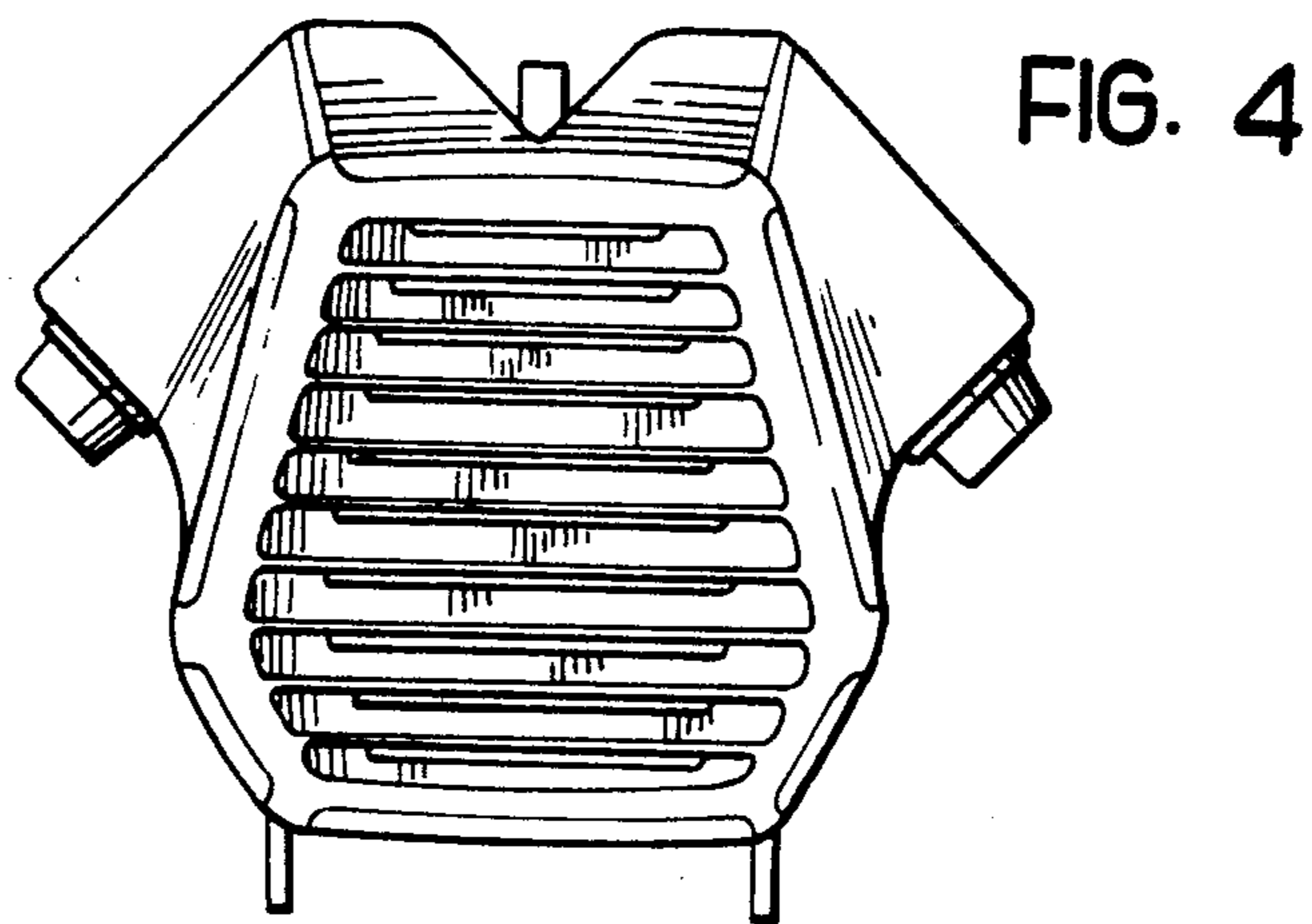


FIG. 7

