

# United States Patent [19]

Owens, Jr.

[11] Patent Number: **Des. 281,688**

[45] Date of Patent: **\*\* Dec. 10, 1985**

[54] **CUP FOR AN ACOUSTICAL COUPLER**

[75] Inventor: **Edward J. Owens, Jr., Boulder, Colo.**

[73] Assignee: **CK Marketing, Inc., Boulder, Colo.**

[\*\*] Term: **14 Years**

[21] Appl. No.: **456,856**

[22] Filed: **Jan. 10, 1983**

[52] U.S. Cl. .... **D14/57; D14/59**

[58] Field of Search ..... **D14/57, 59, 65; 179/2 C, 146 R, 179, 100 C, 100, 100 D, 182 R, 187, 2 DP**

[56] **References Cited**

**U.S. PATENT DOCUMENTS**

2,209,327	7/1940	D'Humy et al. ....	179/146 R
2,342,087	2/1944	Pridham .....	179/187
2,478,783	8/1949	Scher .....	179/187
3,012,108	12/1961	Bell .....	179/187
3,725,584	3/1973	Kilmer et al. ....	179/2 C

3,733,437	5/1973	Keith .....	179/2 C
4,071,717	1/1978	Fidi et al. ....	179/182 R
4,149,033	4/1979	Costello et al. ....	179/2 C
4,158,106	6/1979	Mason .....	179/2 C
4,246,444	1/1981	Mason .....	179/2 C

**FOREIGN PATENT DOCUMENTS**

2753387 5/1979 Fed. Rep. of Germany ..... 179/2 C

*Primary Examiner*—Wallace R. Burke

*Assistant Examiner*—Horace B. Fay

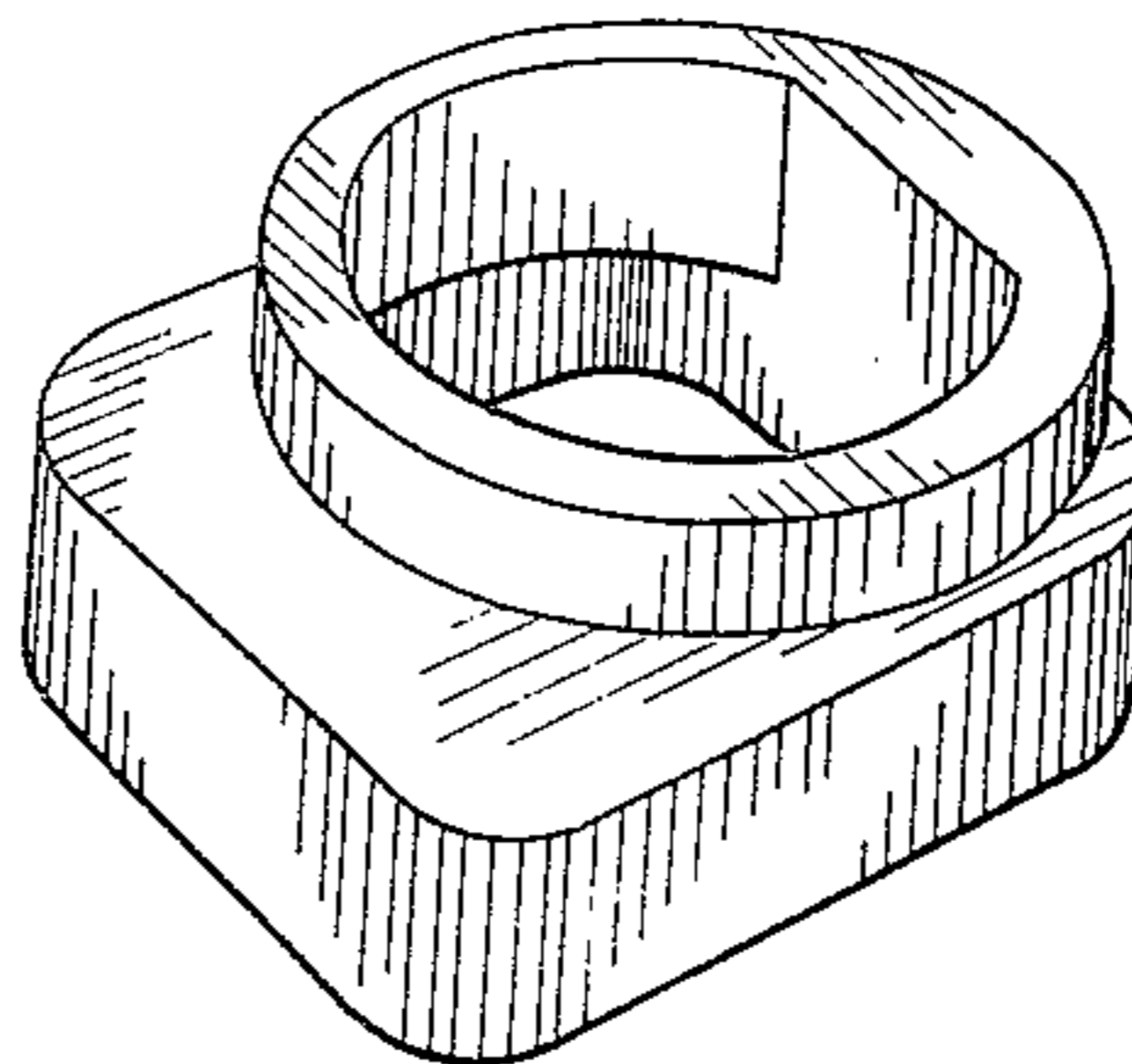
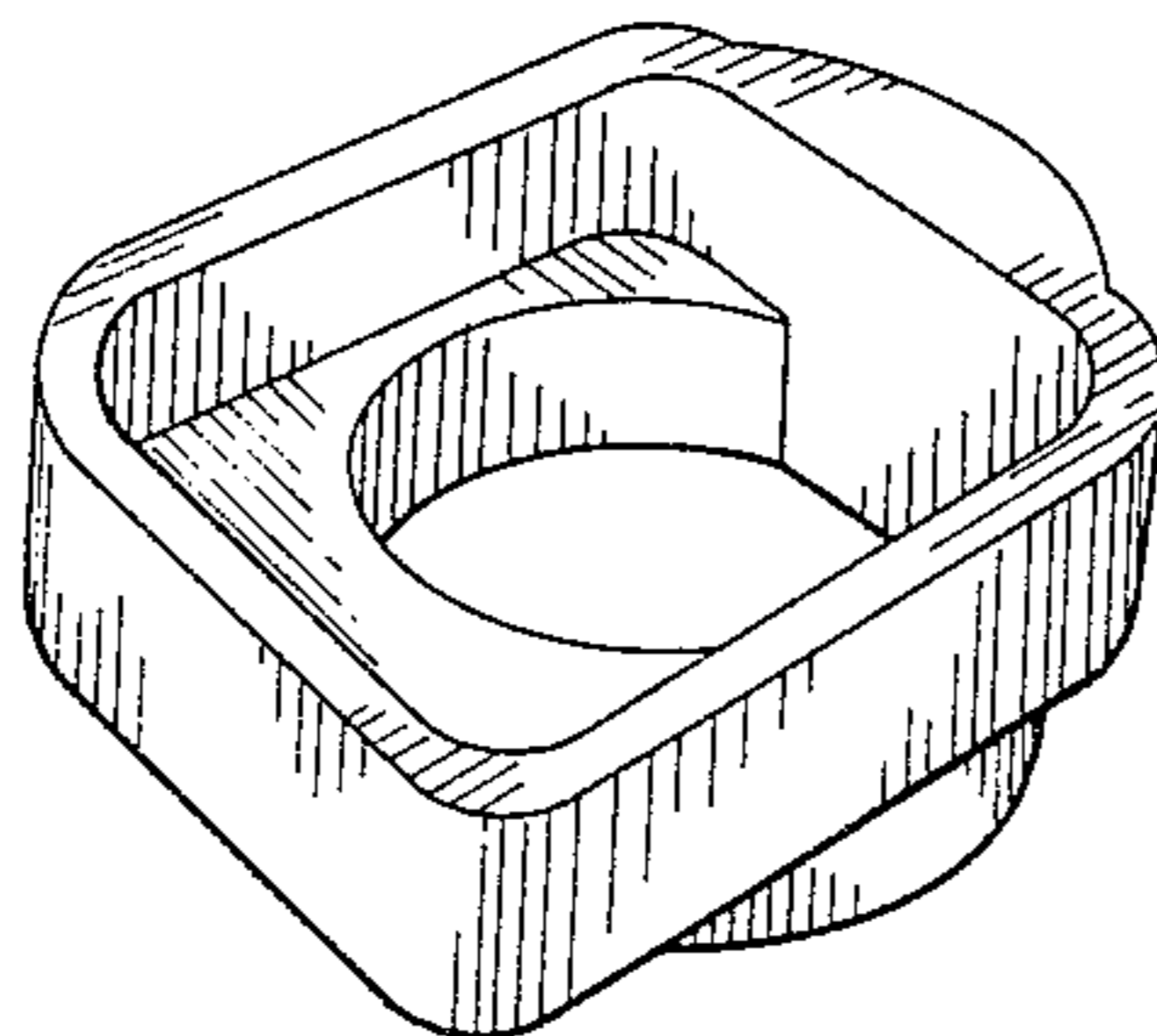
*Attorney, Agent, or Firm*—Donald W. Margolis

[57] **CLAIM**

The ornamental design for a cup for an acoustical coupler, substantially as shown and described.

**DESCRIPTION**

FIG. 1 is a bottom perspective view of a cup for an acoustical coupler showing my new design; FIG. 2 is a top perspective view thereof; FIG. 3 is a bottom plan view thereof; and FIG. 4 is a top plan view thereof.



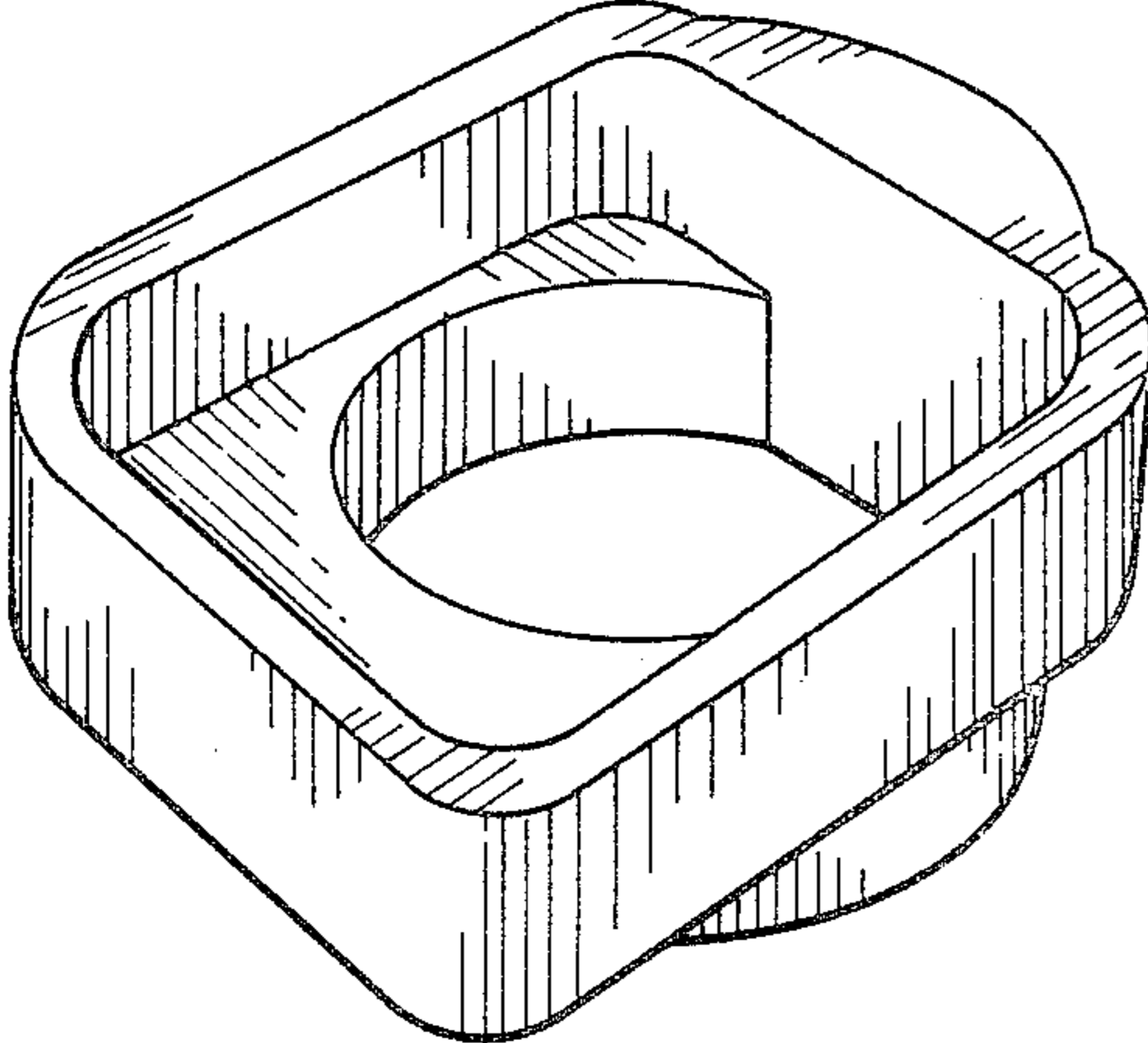


FIG. 1

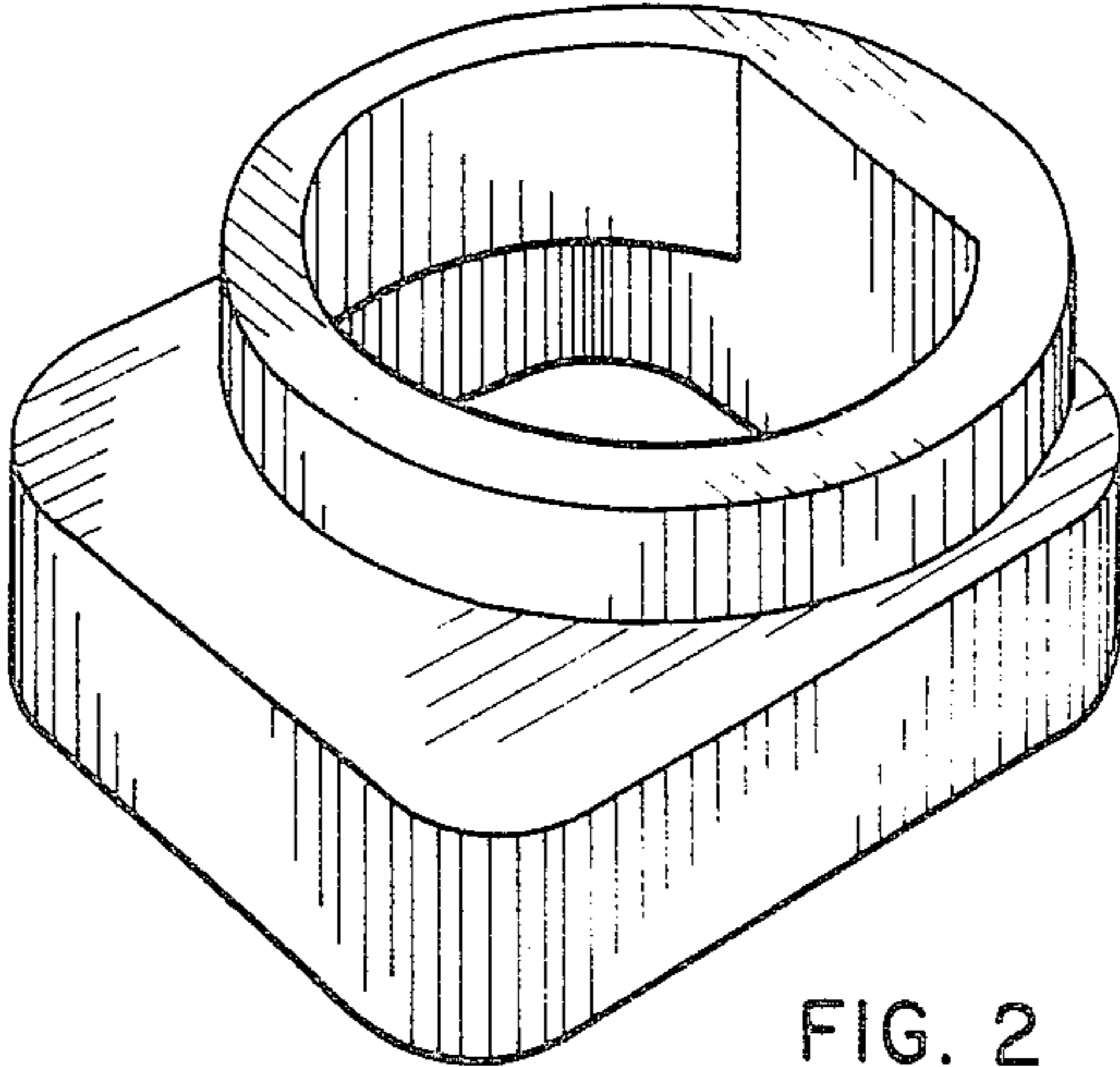


FIG. 2

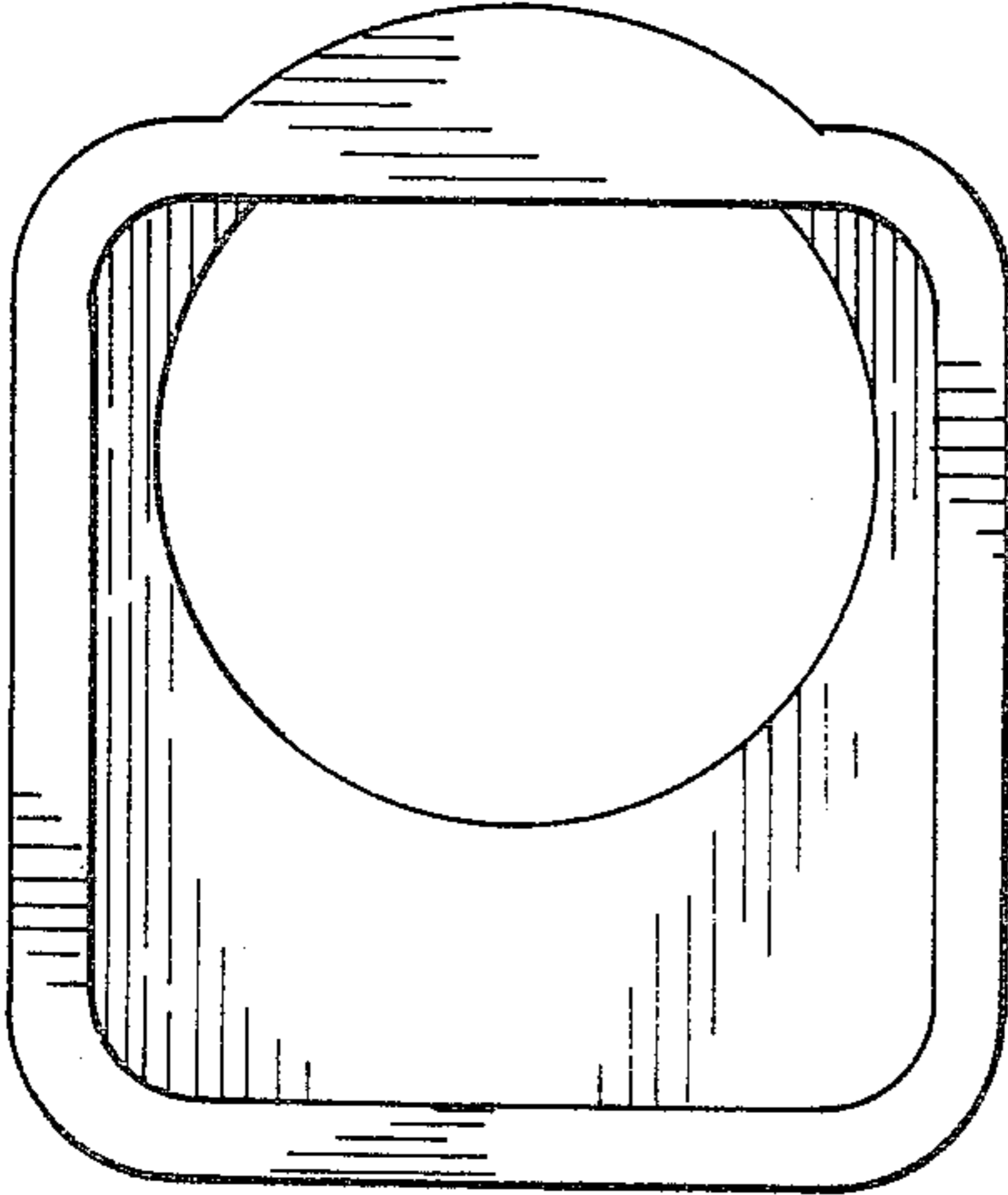


FIG. 3

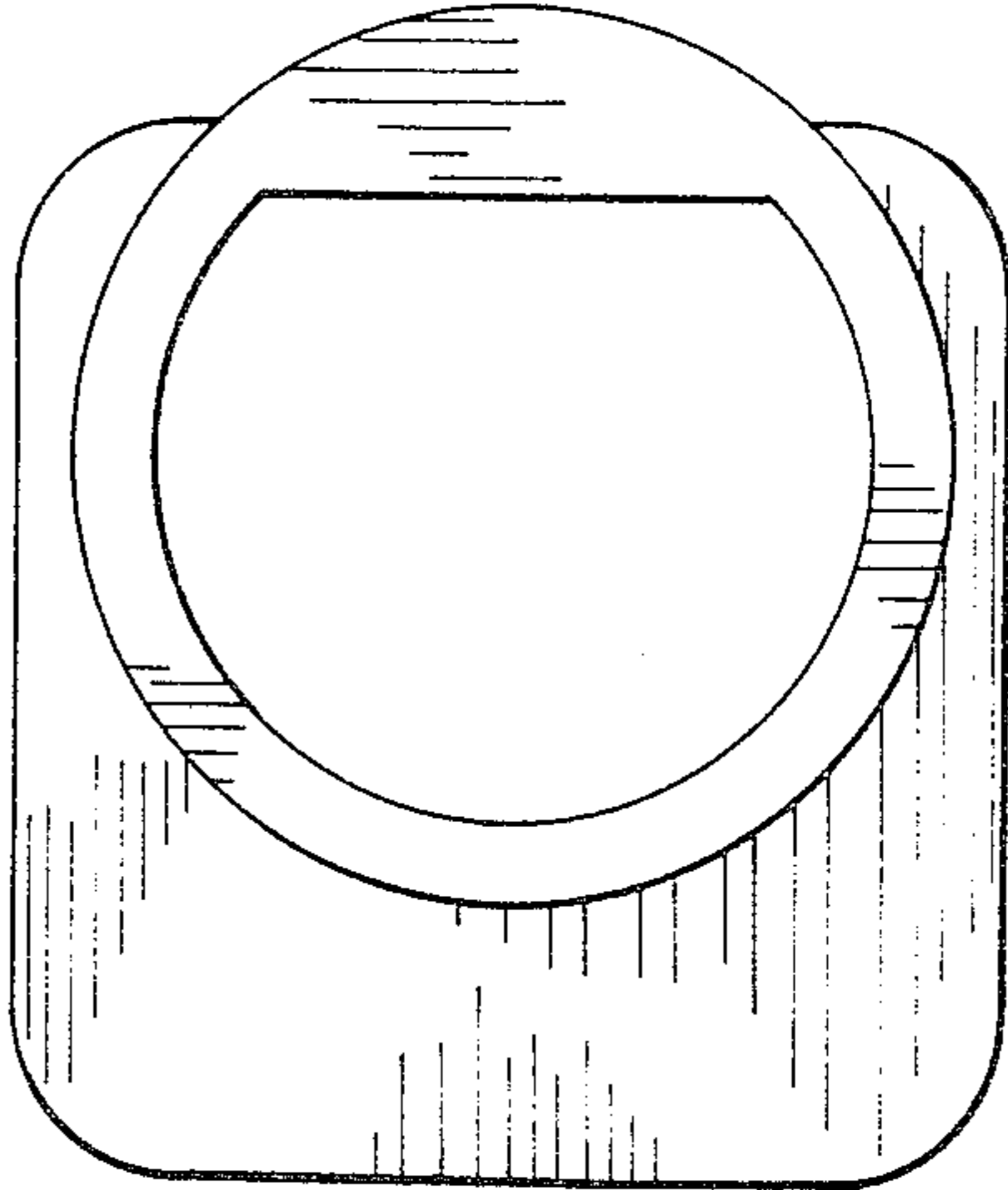


FIG. 4