

[54] COMBINED VIDEO TAPE RECORDER AND VIDEO CAMERA

D. 260,647 9/1981 Saeki et al. D14/78
D. 260,894 9/1981 Ellermeier D14/78

[75] Inventors: Hideyo Hyuga, Tokyo; Yukinobu Ichikawa, Kodaira; Yukio Kuroiwa, Tokyo; Shigeki Masatsugu, Sayama; Fumio Toyoda, Tokyo, all of Japan

OTHER PUBLICATIONS

High Fidelity, 2-82, p. 45, RCA, JVC & Sanyo Video Cameras.

[73] Assignee: Hitachi, Ltd., Tokyo, Japan

Primary Examiner—Jane E. Corrigan
Attorney, Agent, or Firm—Antonelli, Terry & Wands

[**] Term: 14 Years

[57] CLAIM

[21] Appl. No.: 520,841

The ornamental design for a combined video tape recorder and video camera, as shown.

[22] Filed: Aug. 5, 1983

[30] Foreign Application Priority Data

DESCRIPTION

Feb. 25, 1983 [JP] Japan 58-7258

FIG. 1 is a front, top and right side perspective view of a combined video tape recorder and video camera showing our new design;

[52] U.S. Cl. D14/5; D14/6; D14/78

FIG. 2 is a front elevational view thereof;

[58] Field of Search D14/1, 5, 78, 6

FIG. 3 is a rear elevational view thereof;

[56] References Cited

FIG. 4 is a right side elevational view thereof;

U.S. PATENT DOCUMENTS

FIG. 5 is a left side elevational view thereof;

D. 241,738 10/1976 Lee et al. D14/78

FIG. 6 is a top plan view; and

FIG. 7 is a bottom plan view thereof.

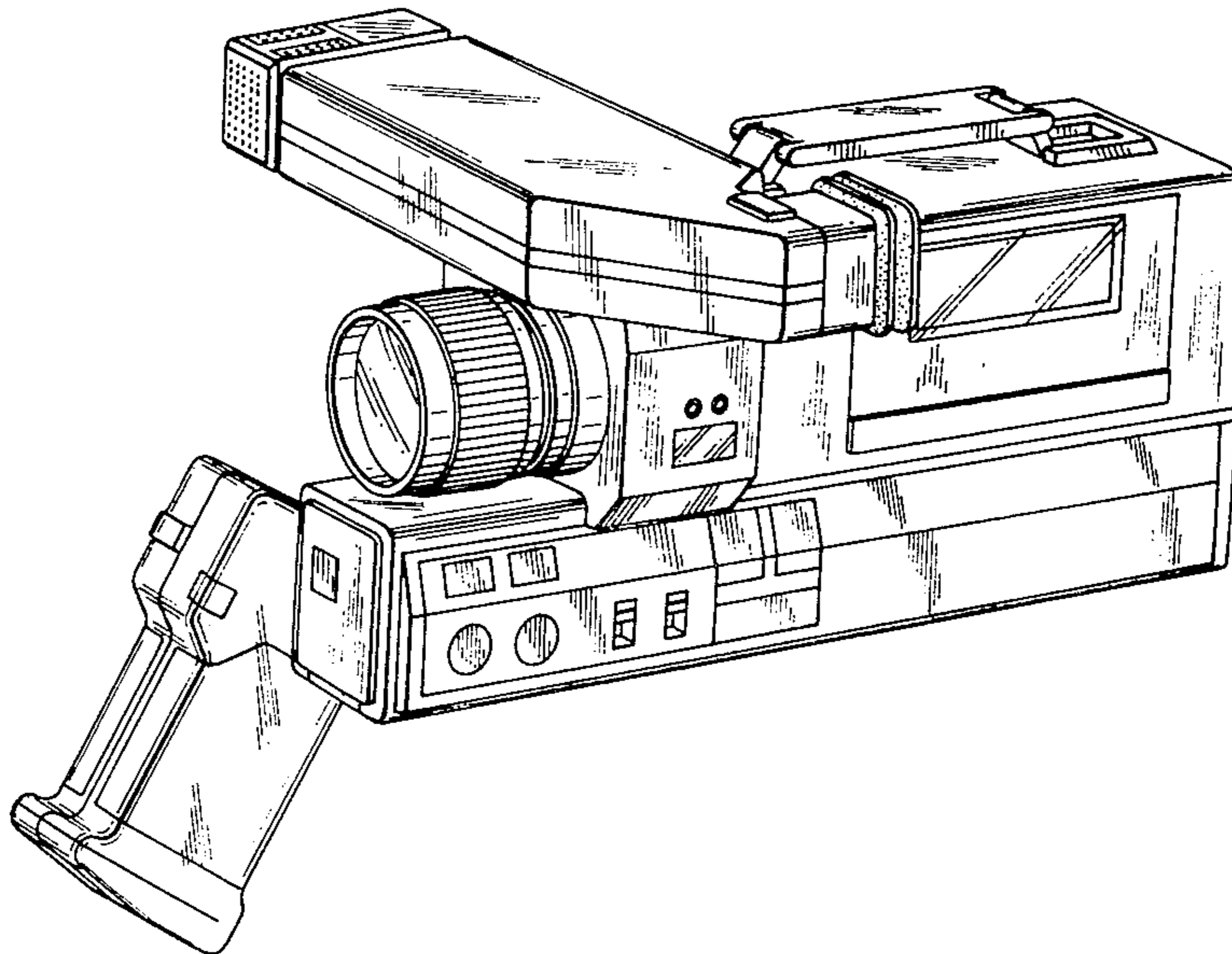


FIG. 1

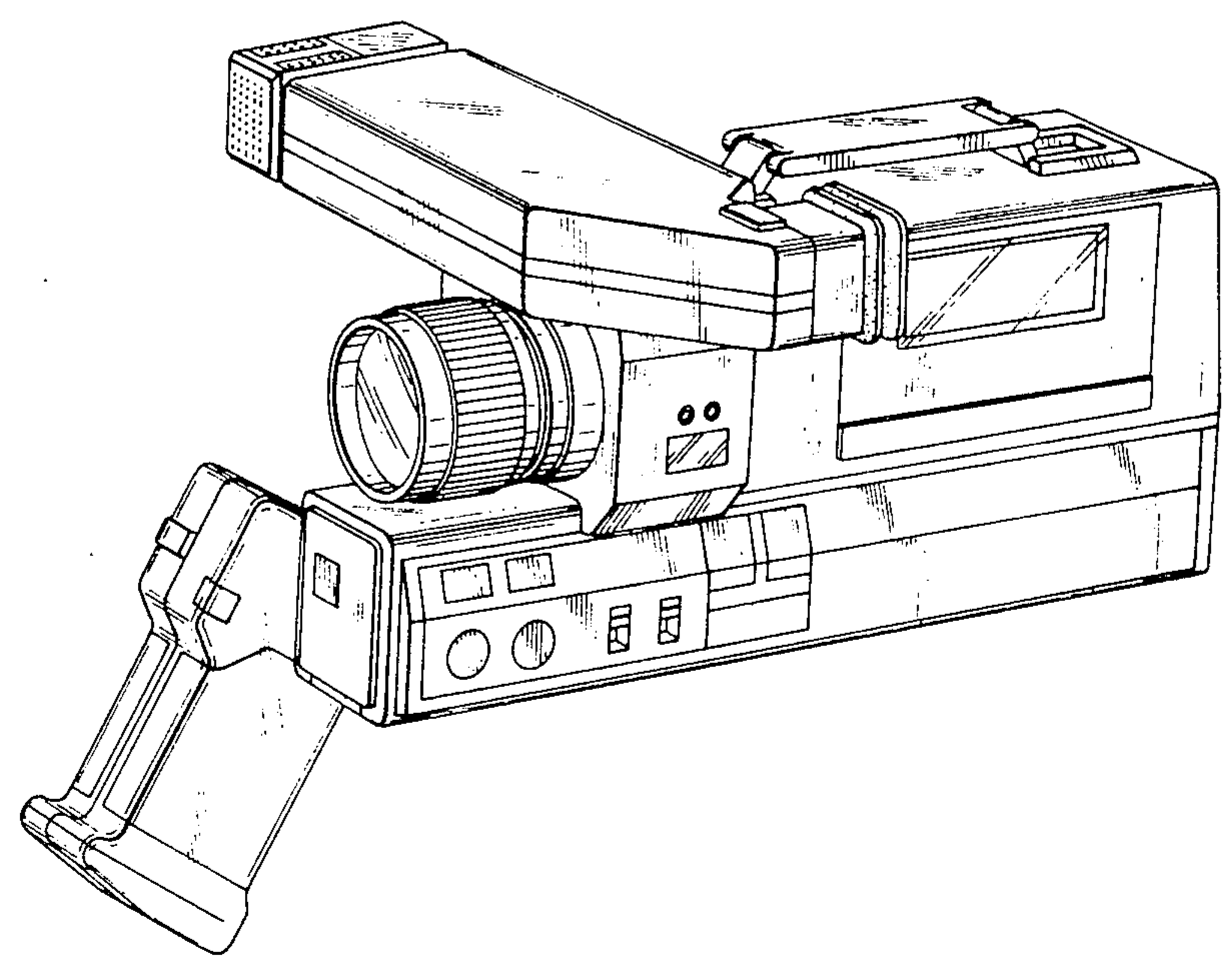


FIG. 2

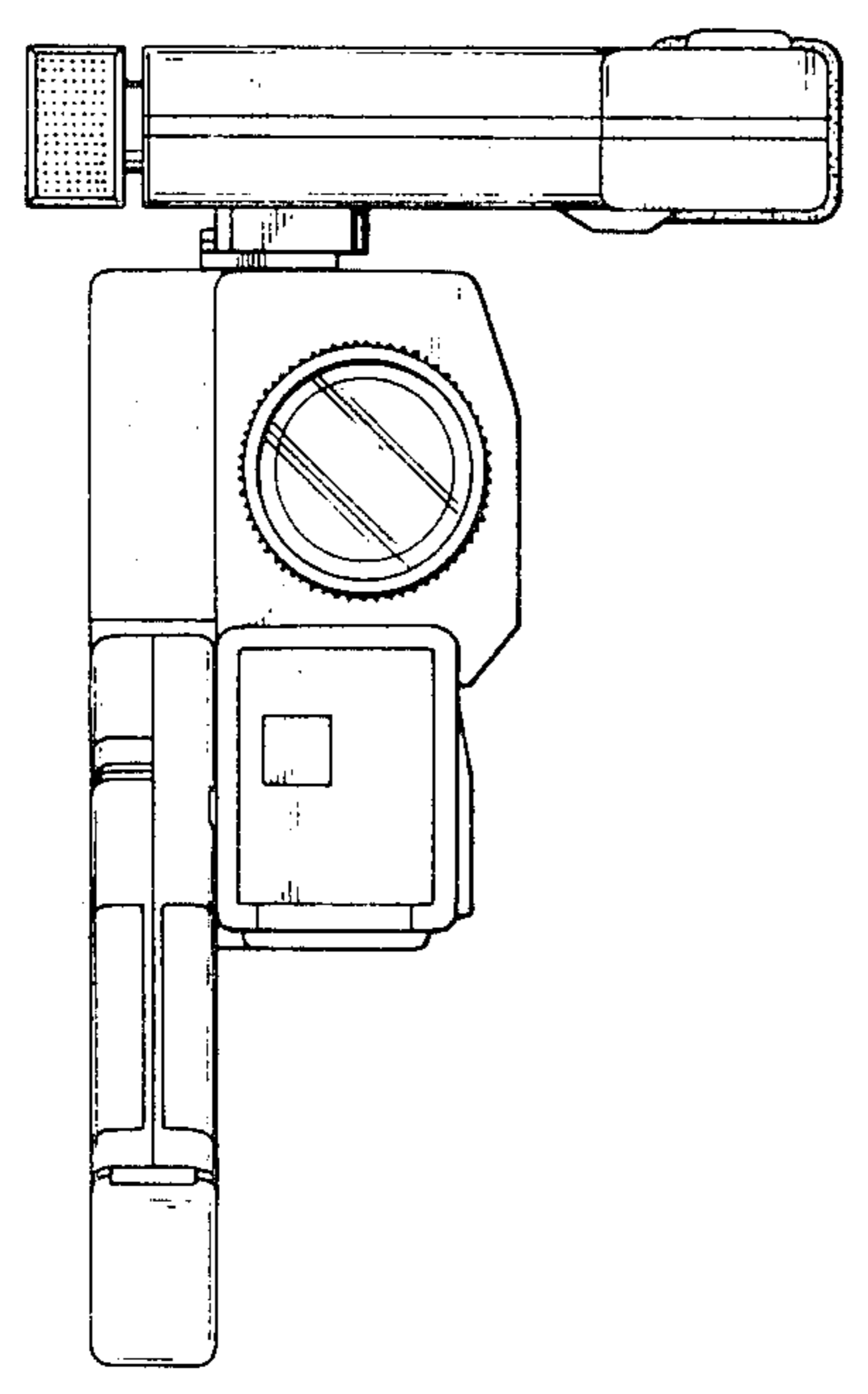


FIG. 3

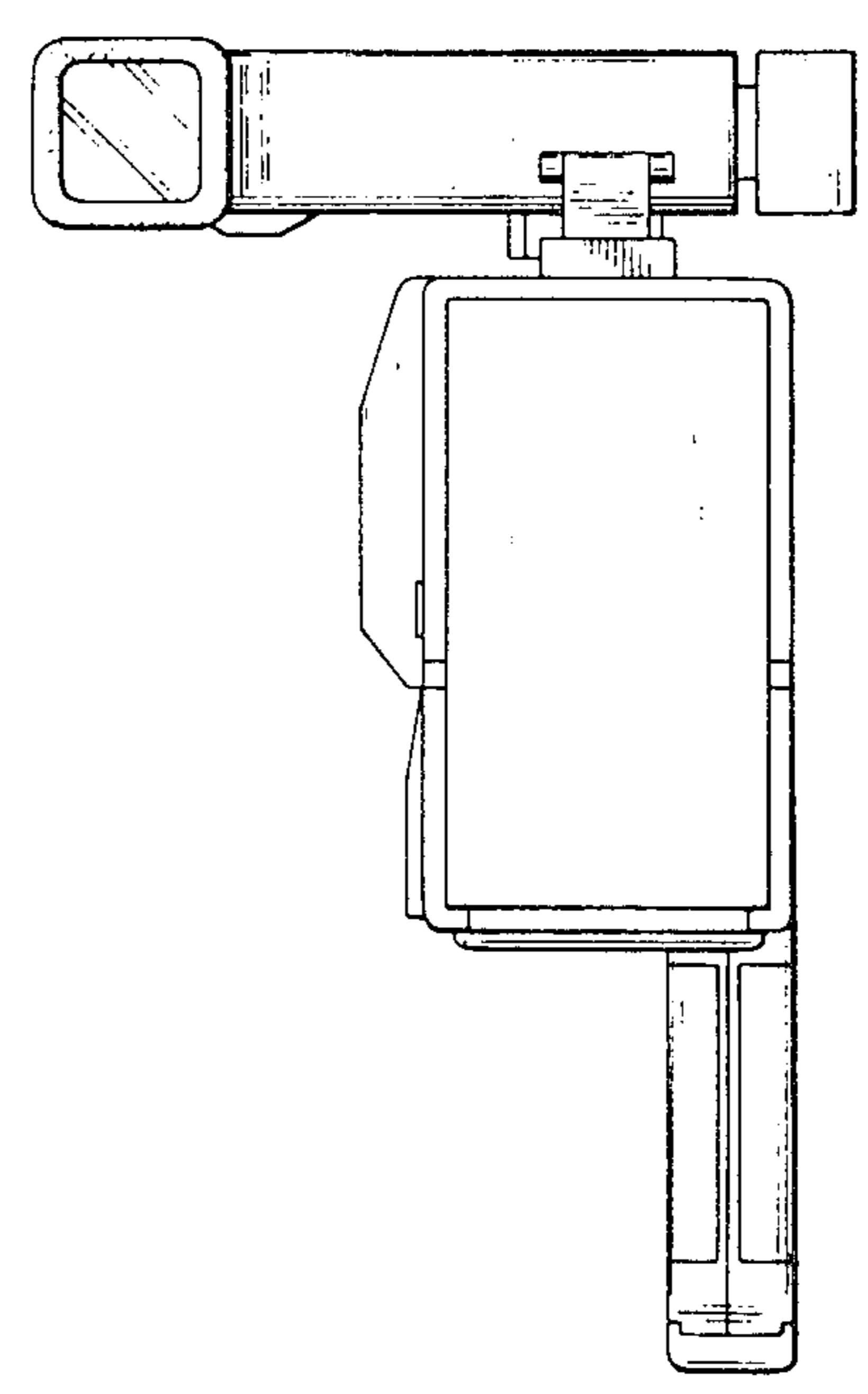


FIG. 4

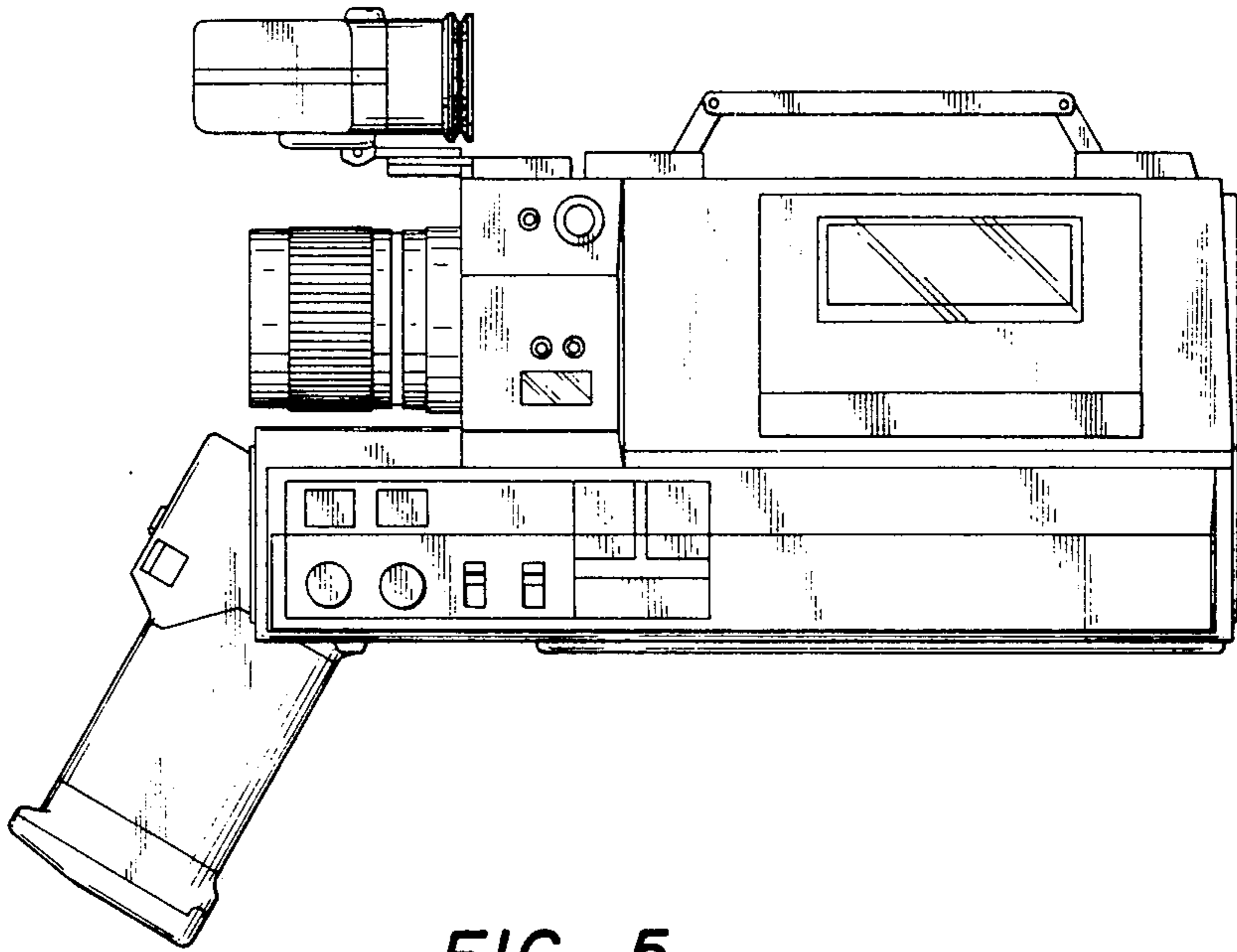


FIG. 5

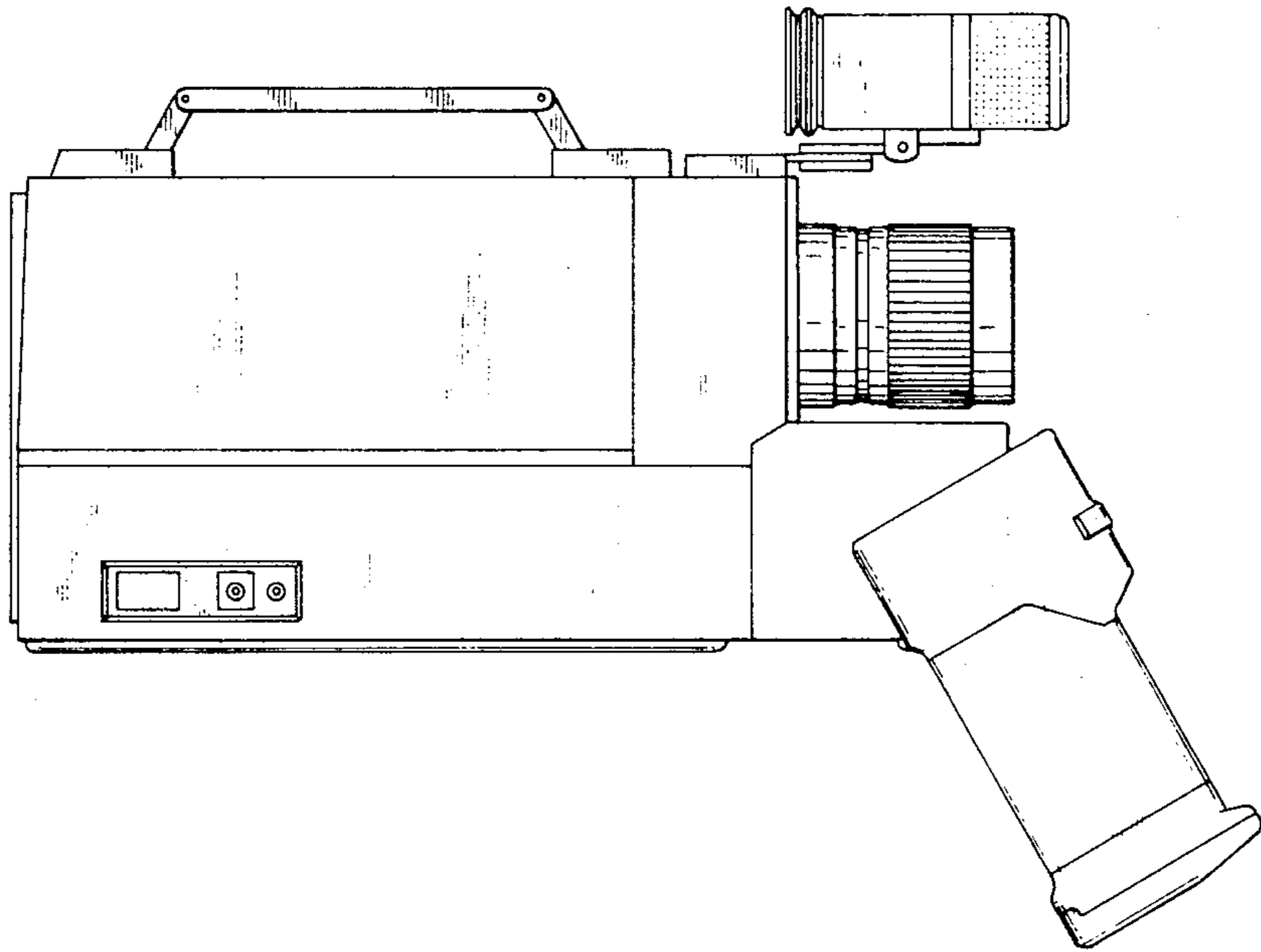


FIG. 6

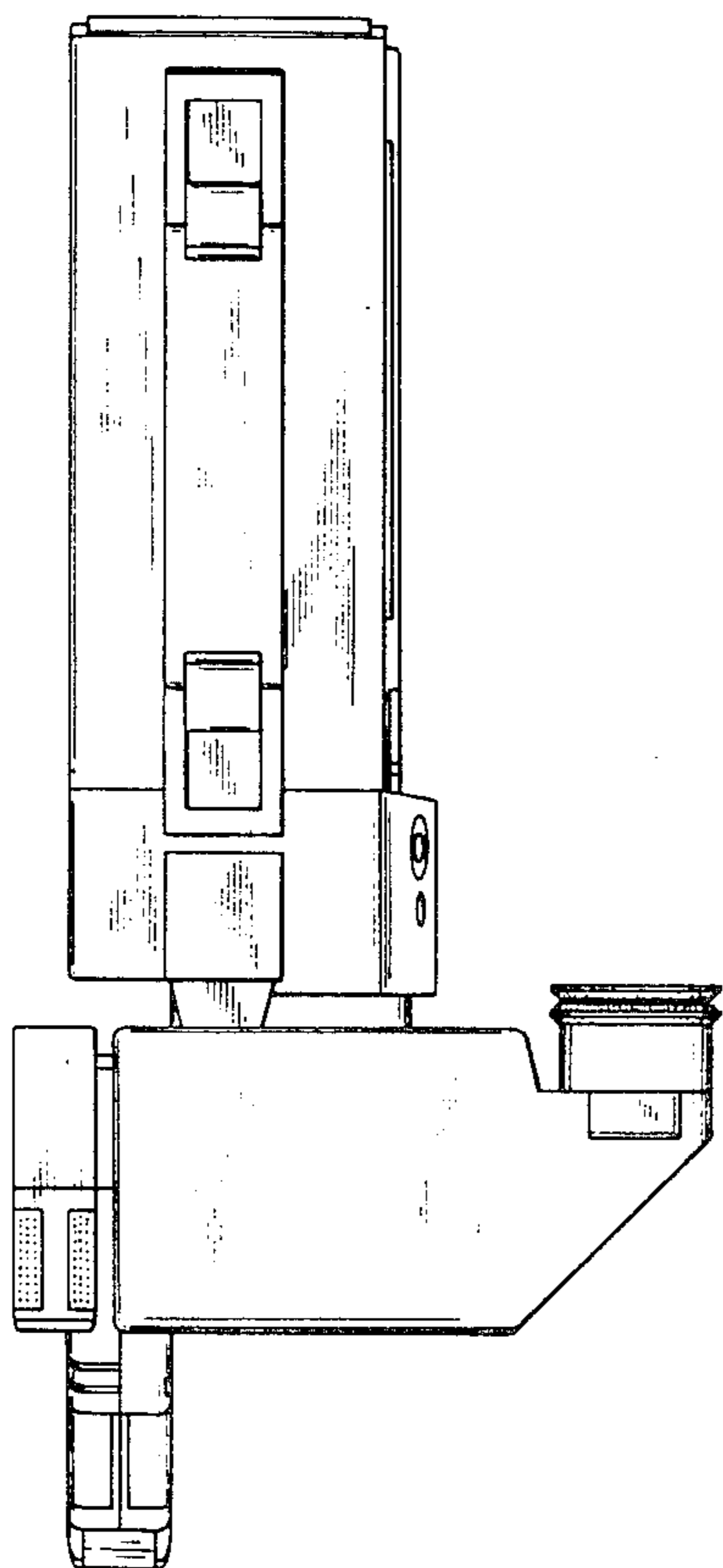


FIG. 7

