

[54] **LIGHT SWITCH HOUSING**

[75] **Inventor: Harry J. Pfeiffer, Jr., Gibbstown, N.J.**

[73] **Assignee: Chrisdon, Inc., Somerdale, N.J.**

[\*\*] **Term: 14 Years**

[21] **Appl. No.: 481,404**

[22] **Filed: Apr. 1, 1983**

[52] **U.S. Cl. .... D13/25; D13/32**

[58] **Field of Search .... D26/1, 2, 3, 26; D13/25, 32; 313/318; 315/62, 63, 71; 200/51 R, 51.14, 51.16, 51.04**

[56] **References Cited**

**U.S. PATENT DOCUMENTS**

- D. 219,381 12/1970 Ishizaki ..... D13/25
- 2,613,292 10/1952 Dupuis et al. .... 200/51.16
- 2,707,733 5/1955 Steinharter ..... 200/51.16

- 3,781,593 12/1973 Rodriguez ..... 315/58
- 4,211,959 7/1980 Deavenport et al. .... D13/25 X

*Primary Examiner*—Susan J. Lucas  
*Attorney, Agent, or Firm*—Duffield & Lehrer

[57] **CLAIM**

The ornamental design for a light switch housing, substantially as shown and described.

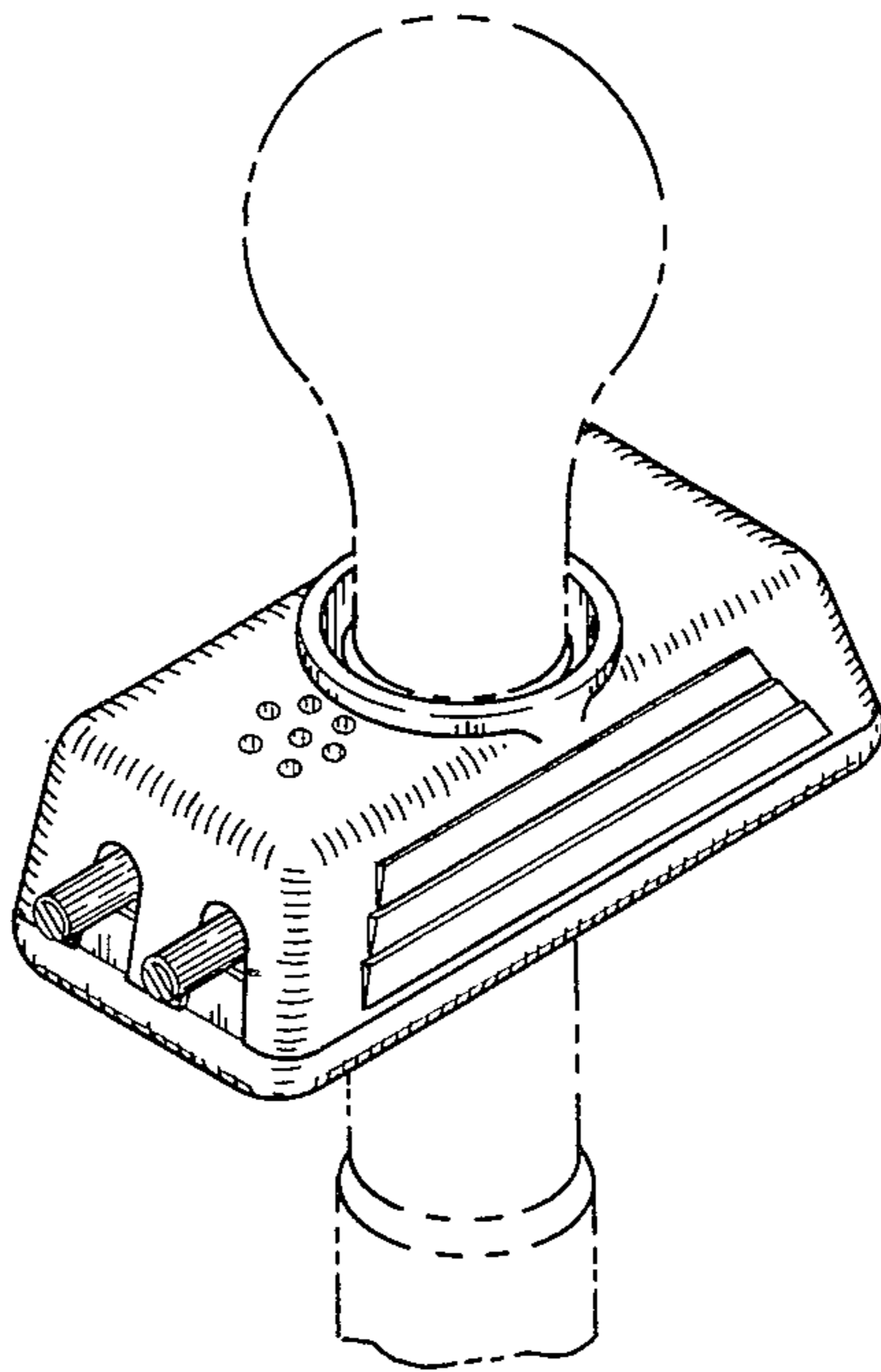
**DESCRIPTION**

FIG. 1 is a perspective view of the light switch housing showing my design;

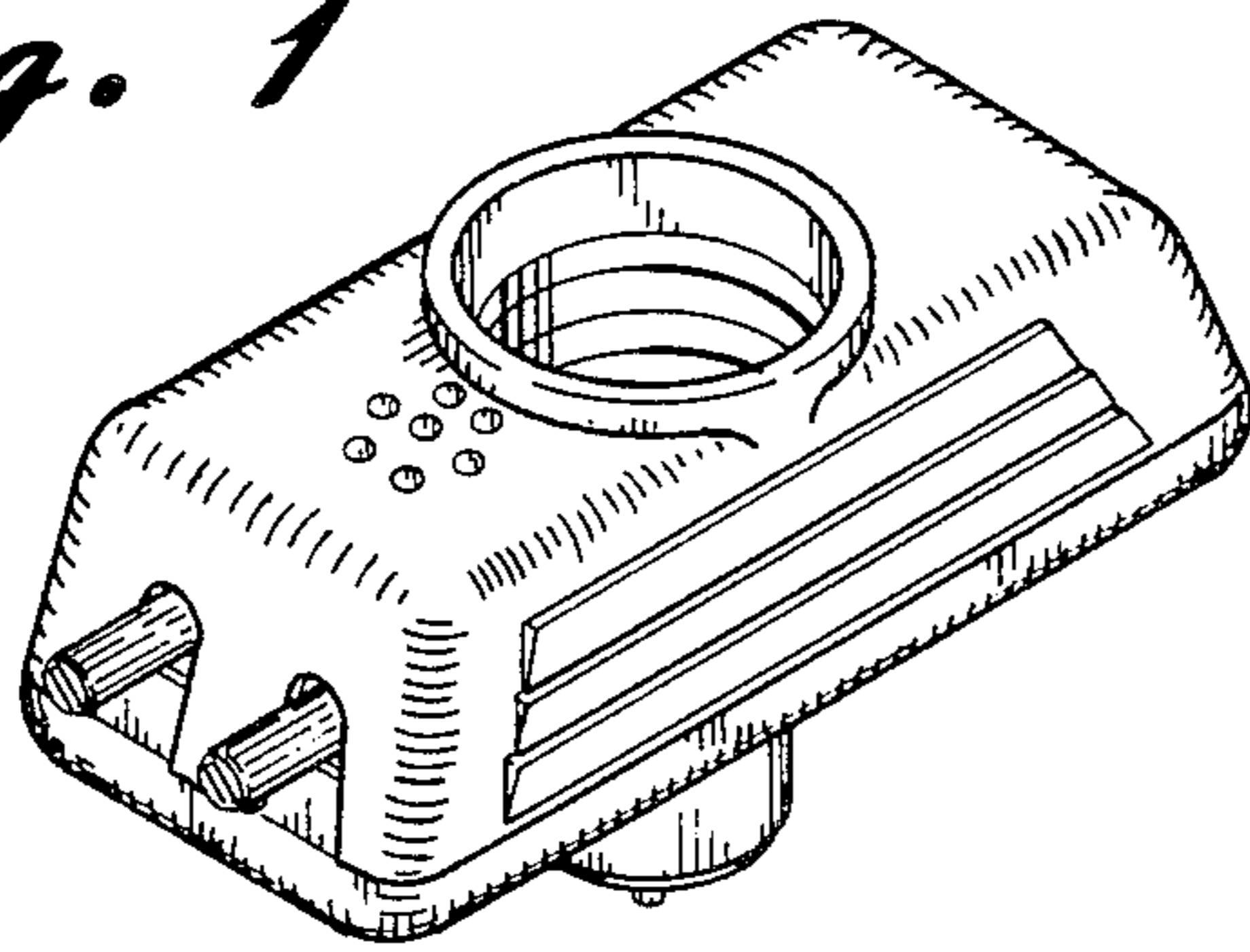
FIG. 2 is a left side end view thereof with reference to FIG. 1;

FIG. 3 is a perspective view of the light switch housing shown in FIG. 1 rotated 90° and inverted to show the bottom and right side thereof; and

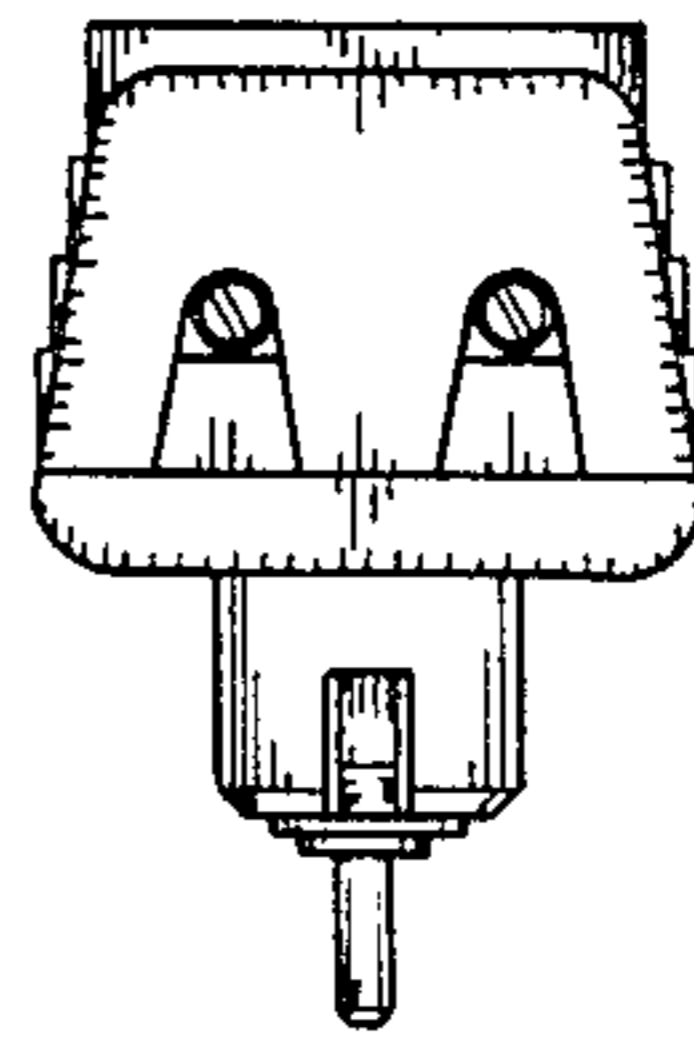
FIG. 4 is a perspective view of the light switch housing shown in FIG. 1 shown in position of use with the lamp socket and lamp bulb shown in phantom for illustrative purposes only.



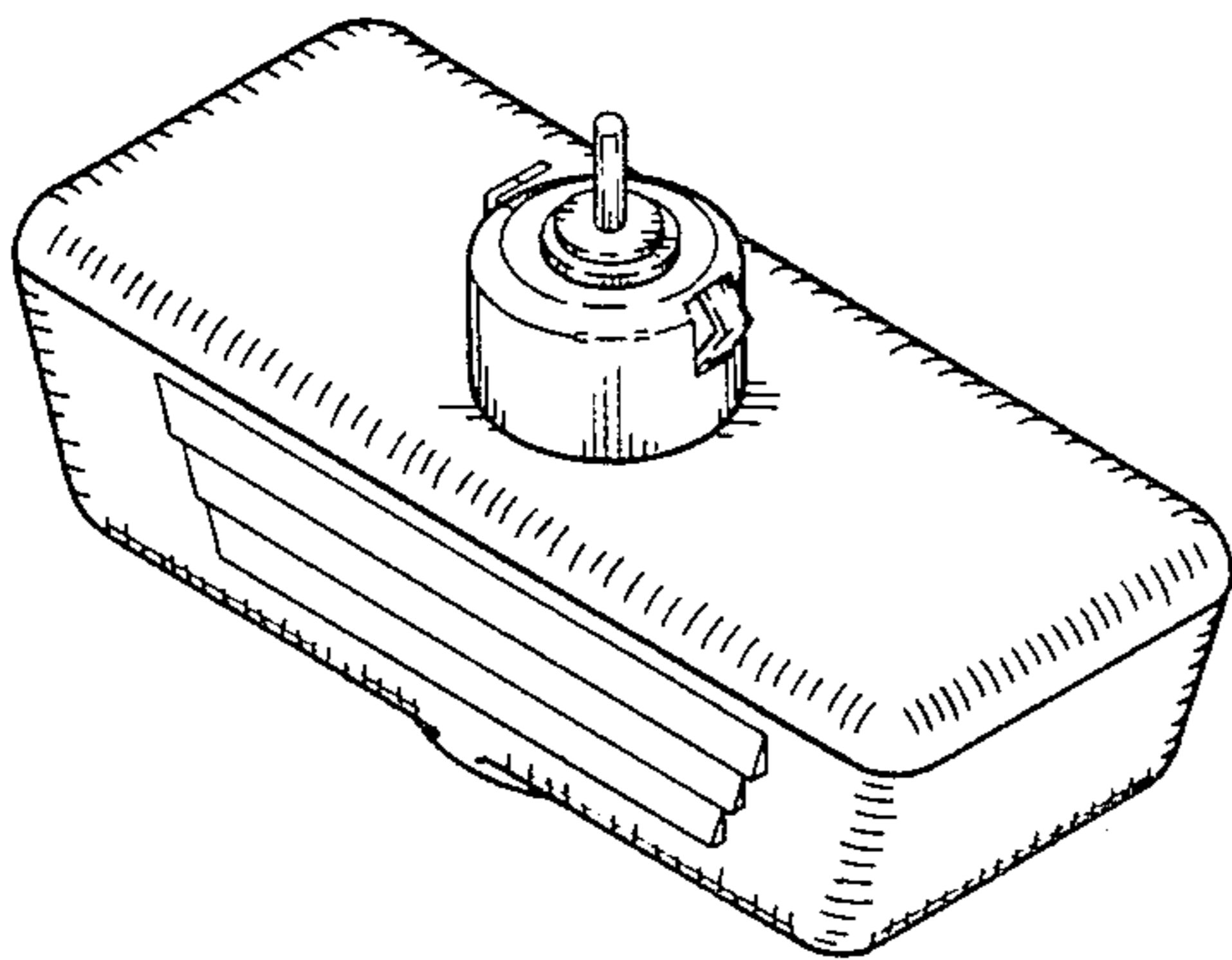
*Fig. 1*



*Fig. 2*



*Fig. 3*



*Fig. 4*

