

[54] **COMPUTERIZED MEASURING MACHINE FOR WEIGHT, HEIGHT AND TEMPERATURE**

D. 205,159 6/1966 Reinecke D10/90
D. 250,756 1/1979 Joss D10/93
D. 265,066 6/1982 Solomon D10/93

[76] Inventor: Lin-Fu Chen, 4th Fl., 17, Lane 133, Pao Pyng Rd., Yuan Ho City, Taiwan

Primary Examiner—Nelson C. Holtje
Attorney, Agent, or Firm—Cushman, Darby and Cushman

[**] Term: 14 Years

[57] CLAIM

[21] Appl. No.: 541,123

The ornamental design for computerized measuring machine for weight, height and temperature, substantially as shown and described.

[22] Filed: Oct. 12, 1983

[52] U.S. Cl. D10/88; D10/70; D10/57; D10/93

DESCRIPTION

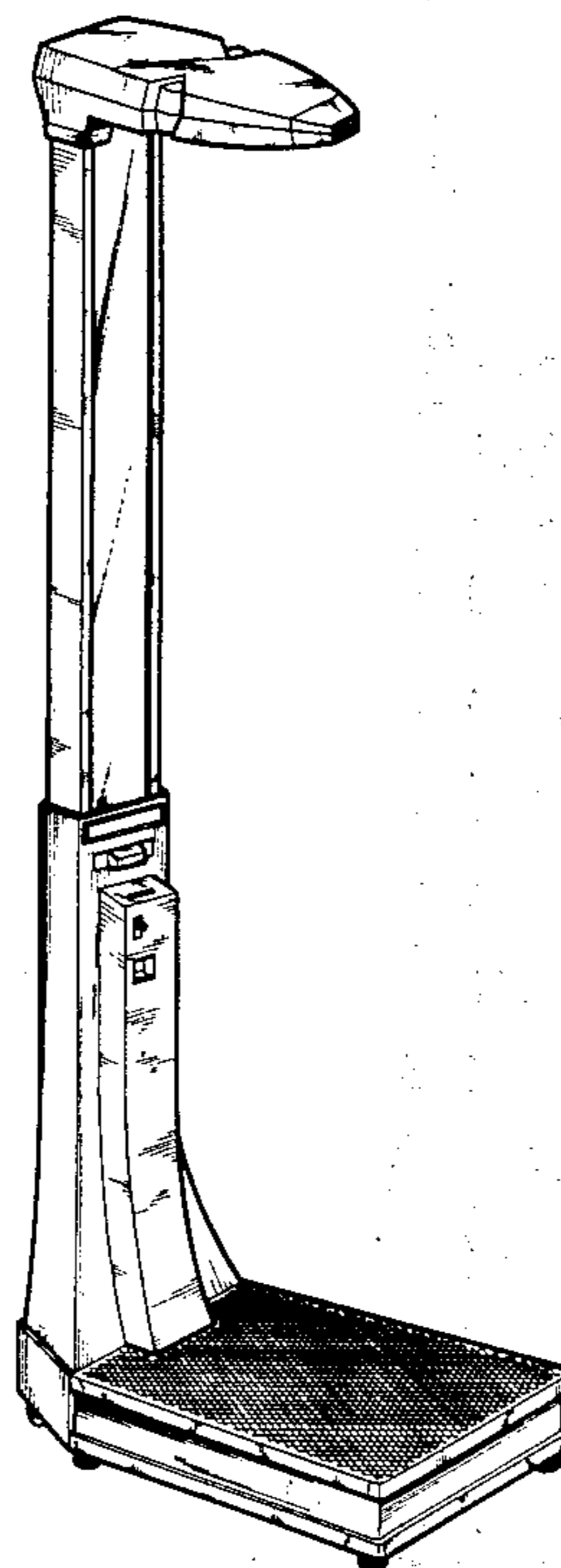
[58] Field of Search D10/87-95, D10/93, 70, 71, 57; 128/736; 177/239, 256; 33/2 R, 262, 275 R, 483-485, 161, 169 R, 174 L; 374/141, 142, 120, 208

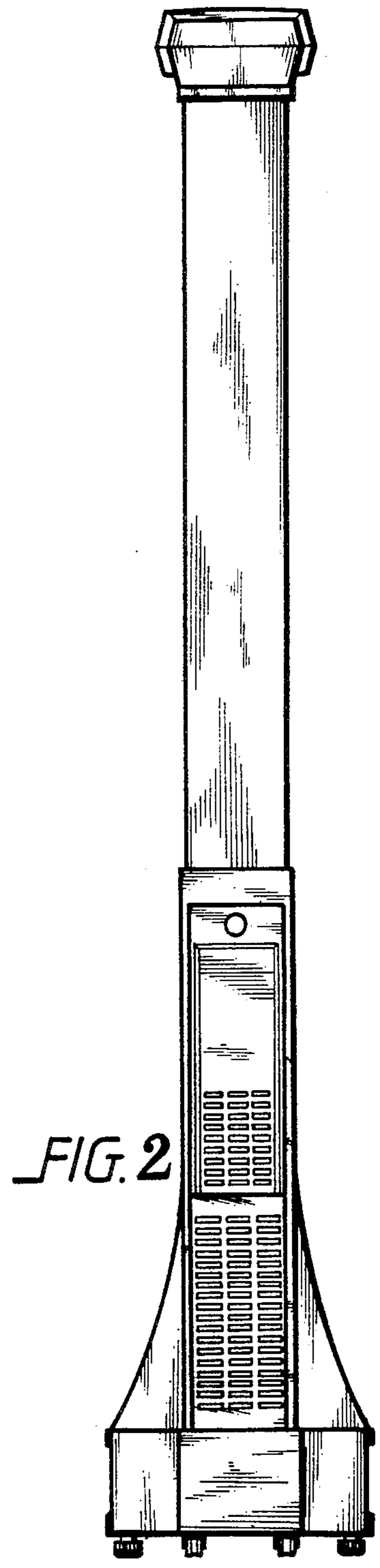
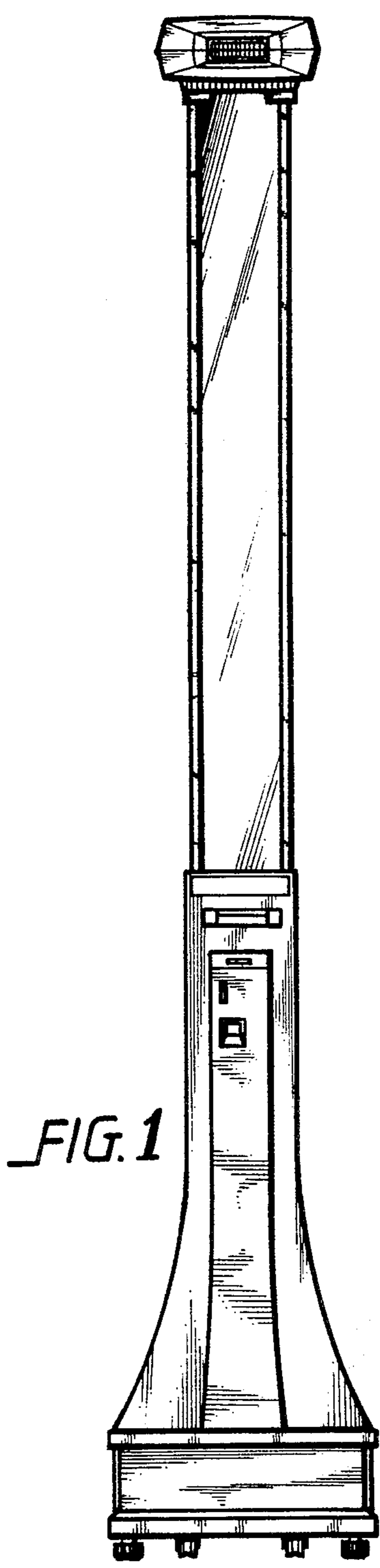
FIG. 1 is a front elevational view of a computerized measuring machine for weight, height and temperature showing my new design;
FIG. 2 is a rear elevational view thereof;
FIG. 3 is a right side elevational view thereof;
FIG. 4 is a left side elevational view thereof;
FIG. 5 is a bottom plan view thereof;
FIG. 6 is a top plan view thereof;
FIG. 7 is a bottom plan view of the head portion of the machine, the lower portions being omitted for ease of illustration;
FIG. 8 is a left front perspective view thereof.

[56] References Cited

U.S. PATENT DOCUMENTS

D. 84,259 5/1931 Rochestie D10/93
D. 105,132 6/1937 Nichols D10/93
D. 118,701 1/1940 Heller D10/93
D. 118,829 2/1940 Nelson D10/87 X





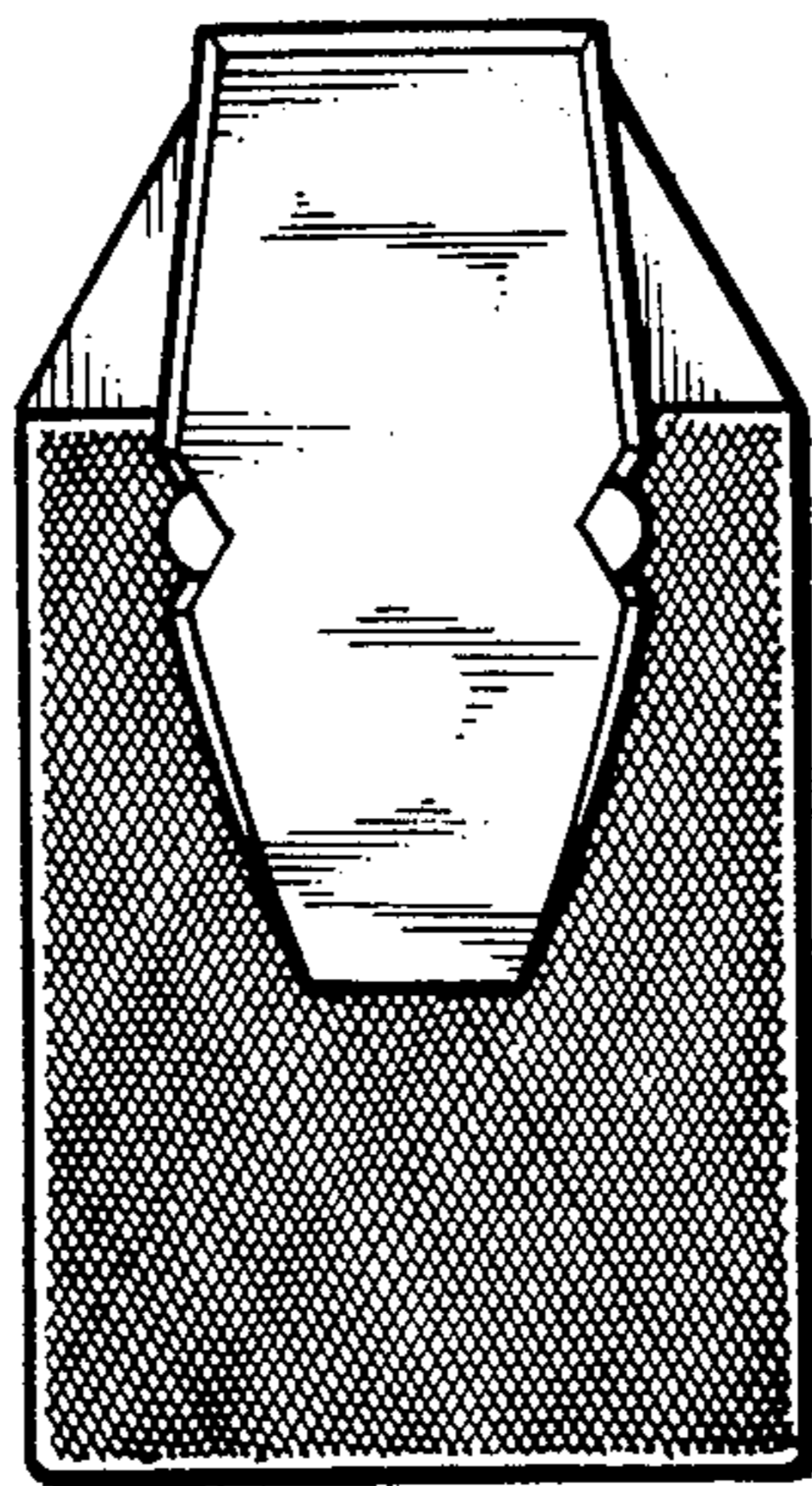


FIG. 6

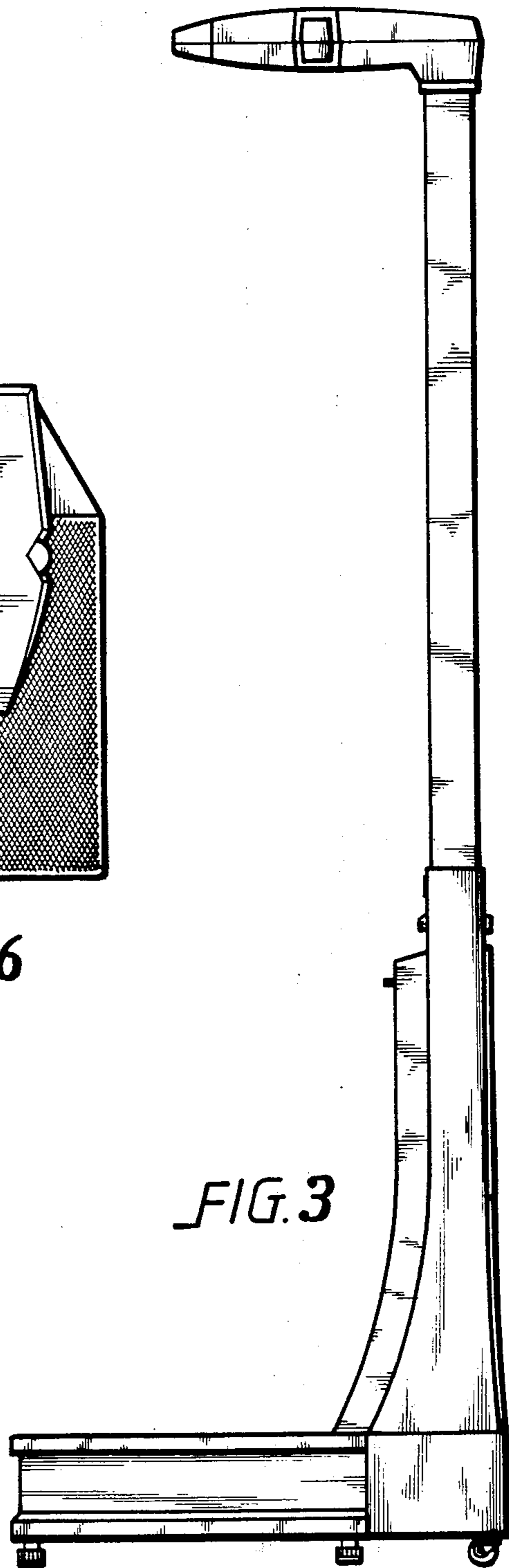


FIG. 3

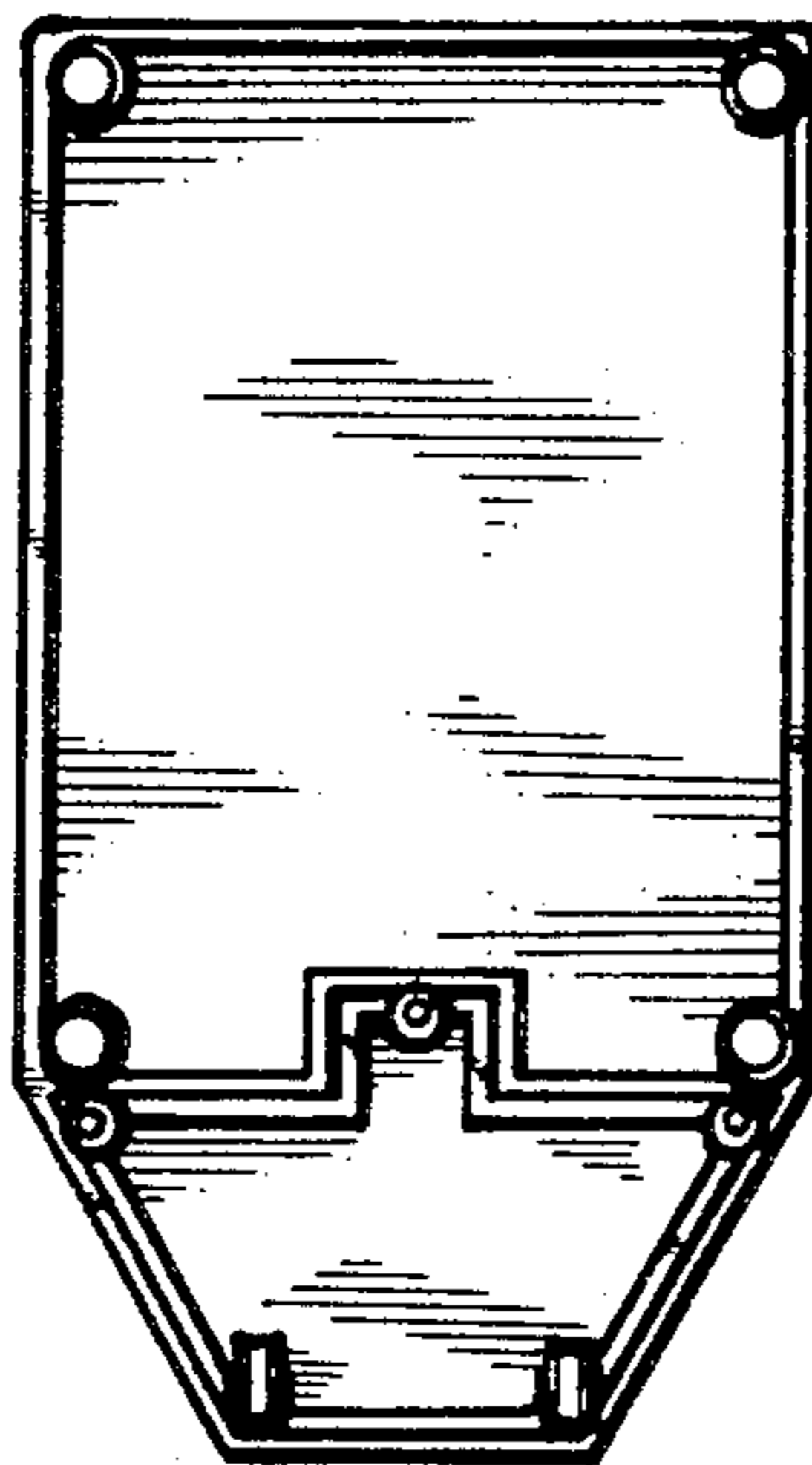
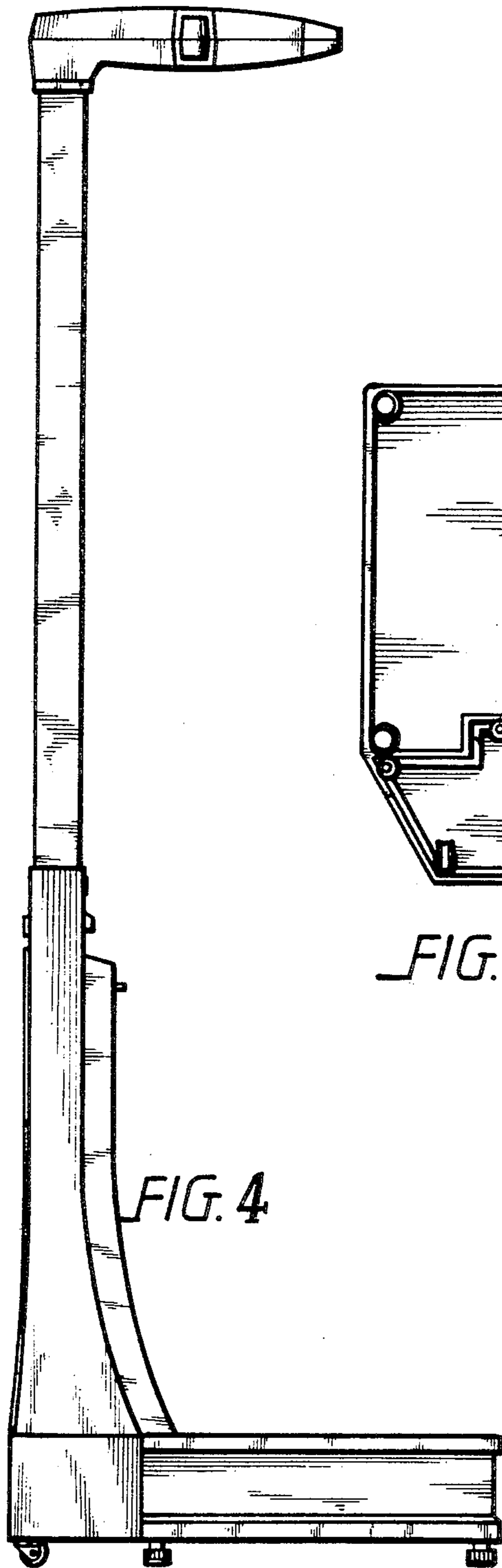


FIG. 5

FIG. 4

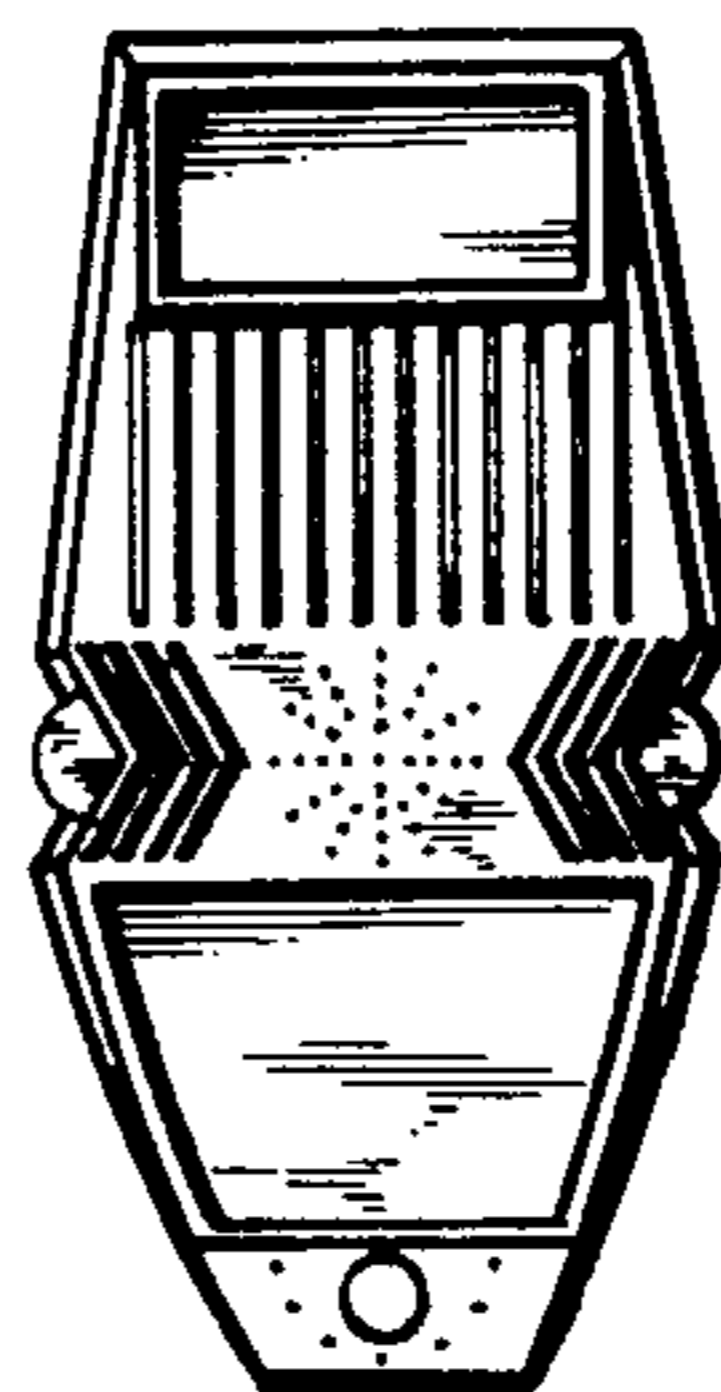
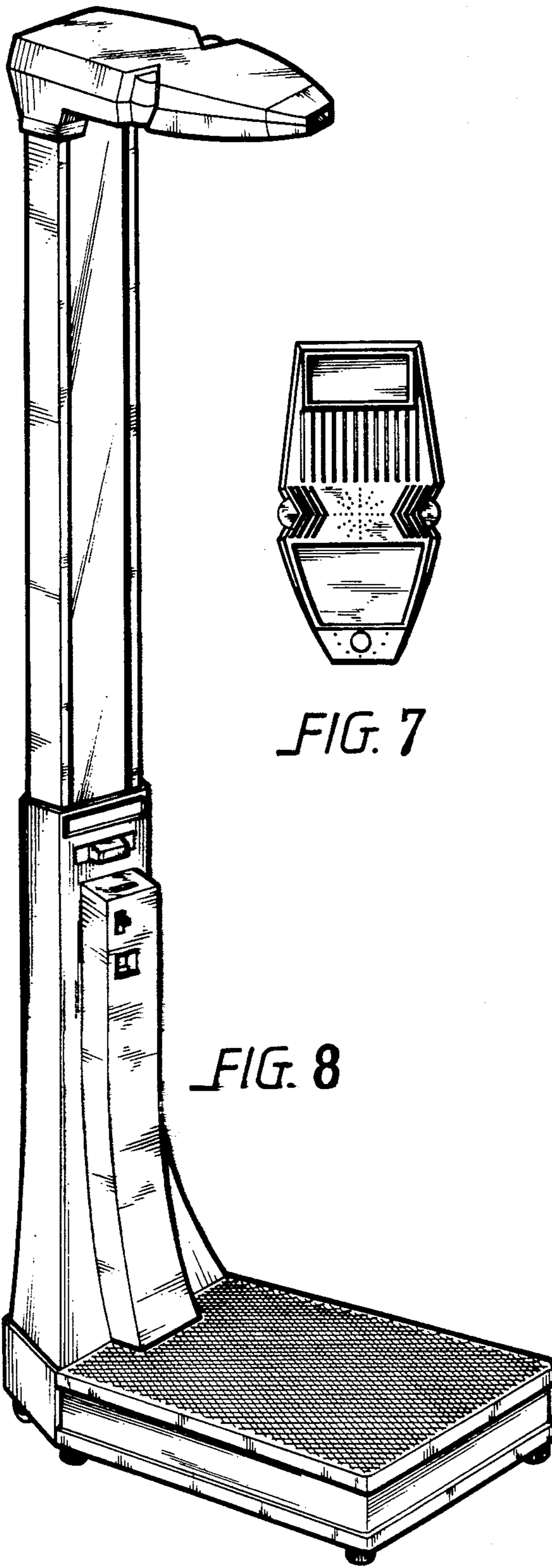


FIG. 7

FIG. 8