

[54] **TIMER**

[75] Inventors: **Harold B. Rapp**, Williston Park, N.Y.; **Peter D. Galitzine**, New Providence, N.J.

[73] Assignee: **North American Philips Corporation**, New York, N.Y.

[**] Term: **14 Years**

[21] Appl. No.: **521,502**

[22] Filed: **Aug. 8, 1983**

[52] U.S. Cl. **D10/40; D10/2; D10/15; D10/30**

[58] Field of Search **D10/1, 2, 15, 30, 40; D14/59; 368/82-84, 239, 241-242, 107-123**

[56] **References Cited**

U.S. PATENT DOCUMENTS

- D. 184,542 3/1959 Tullin D10/30
- D. 192,247 2/1962 Michals D14/59
- D. 220,044 3/1971 Sinclair D14/59
- D. 222,268 10/1971 Fetzer D14/59
- D. 226,488 3/1973 Sinclair D14/59
- D. 242,847 12/1976 Cervone D10/2 X

- D. 249,776 10/1978 Almosnino D10/30
- D. 256,917 9/1980 Phillips D10/2 X
- D. 258,288 2/1981 Aikawa D10/2 X
- D. 266,164 9/1982 Nakamura D14/57 X
- D. 269,433 6/1983 Stein D14/59

OTHER PUBLICATIONS

Interior Design-Jul.-Aug., 1979-p. 57-Clock at bottom center.

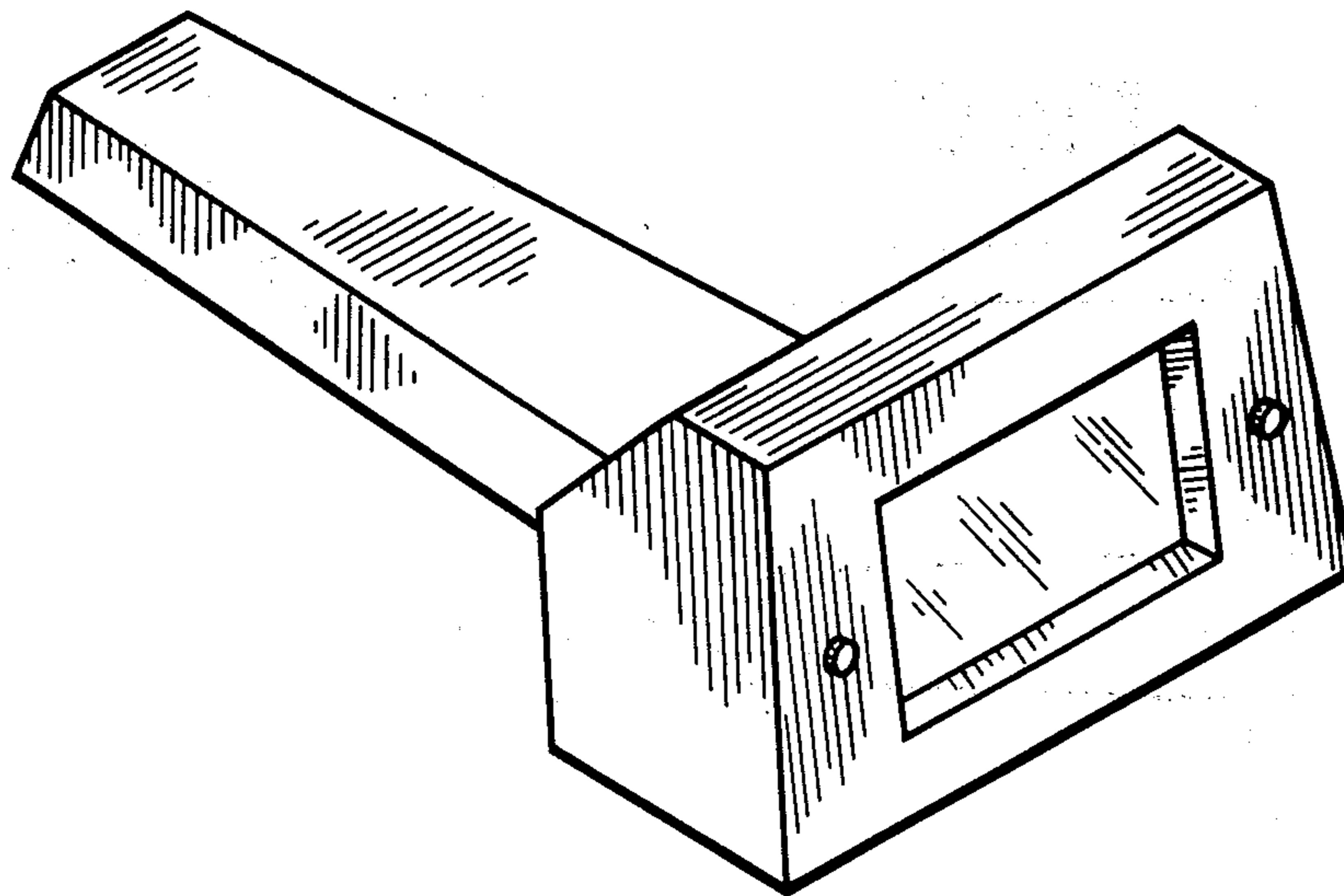
Primary Examiner-Nelson C. Holtje
Attorney, Agent, or Firm-Joseph P. Abate

[57] **CLAIM**

The ornamental design for a timer, as shown and described.

DESCRIPTION

FIG. 1 is a perspective view of a timer showing our new design;
 FIG. 2 is a top plan view thereof;
 FIG. 3 is a front elevational view thereof;
 FIG. 4 is a left-side elevational view thereof;
 FIG. 5 is a rear elevational view thereof;
 FIG. 6 is a right-side elevational view thereof; and
 FIG. 7 is a bottom plan view thereof.



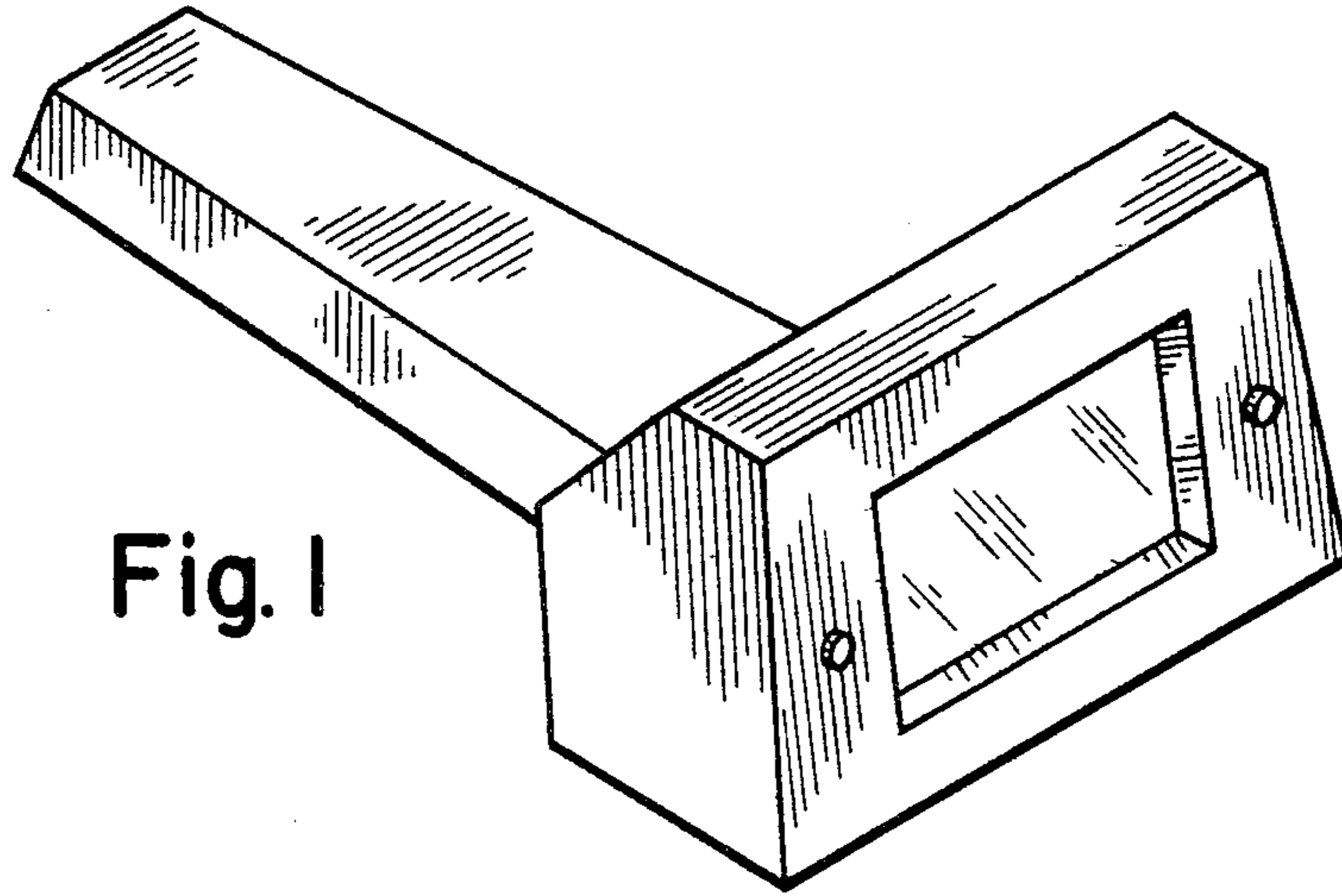


Fig. 1

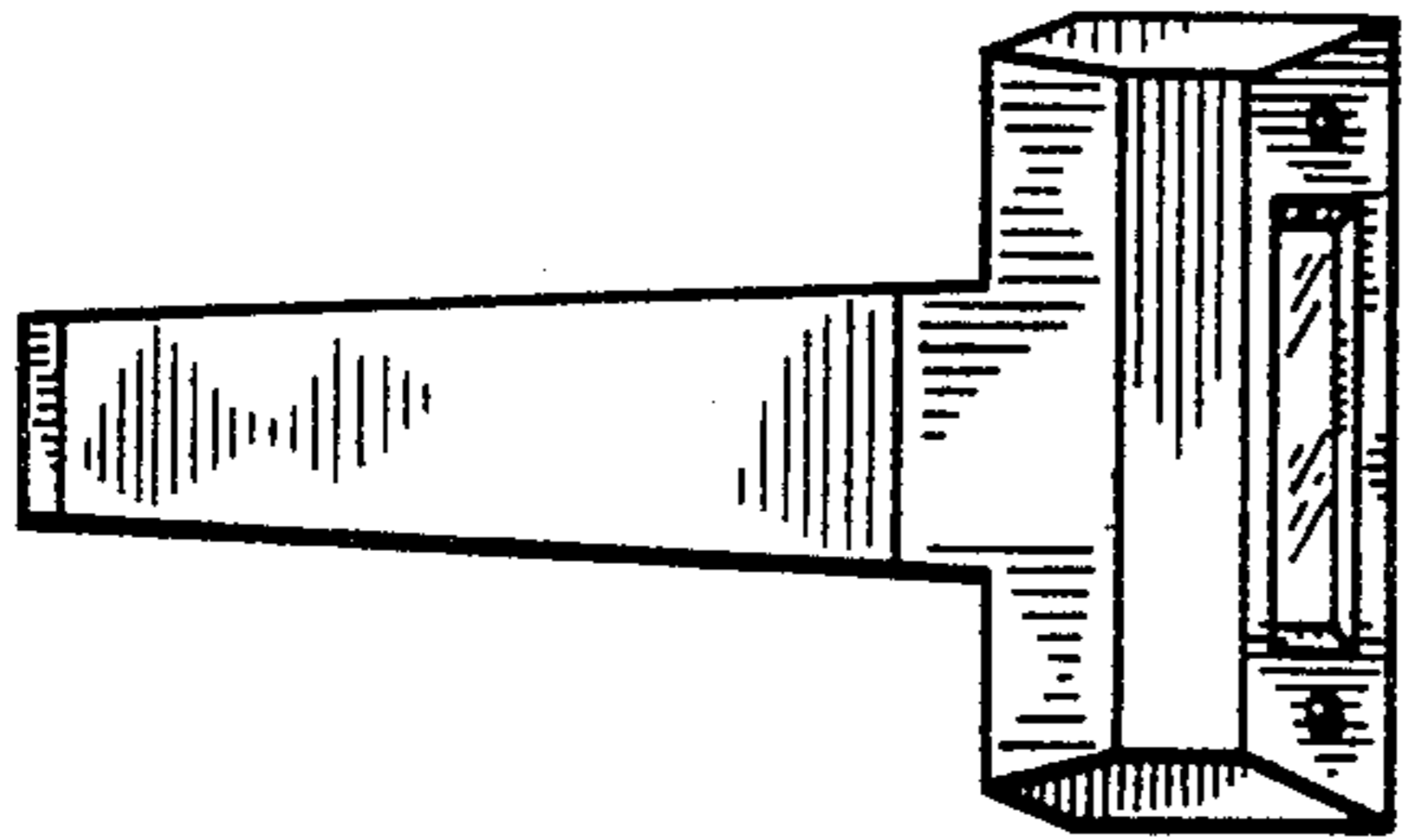


Fig. 2

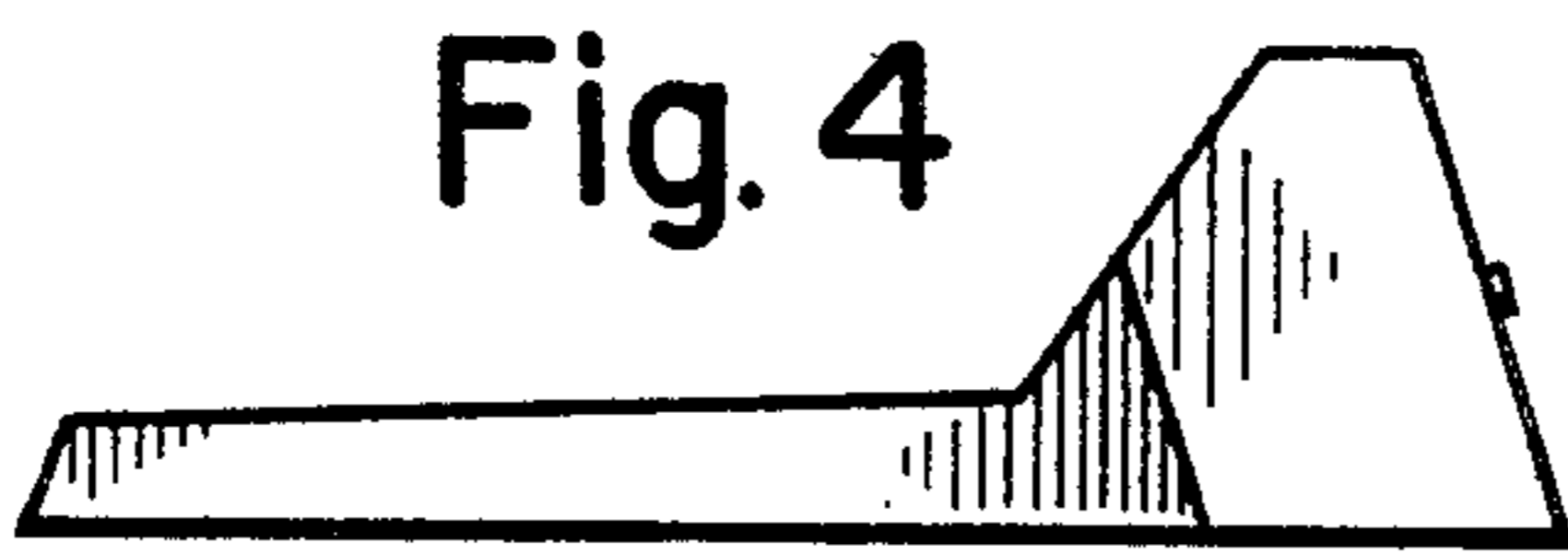


Fig. 4

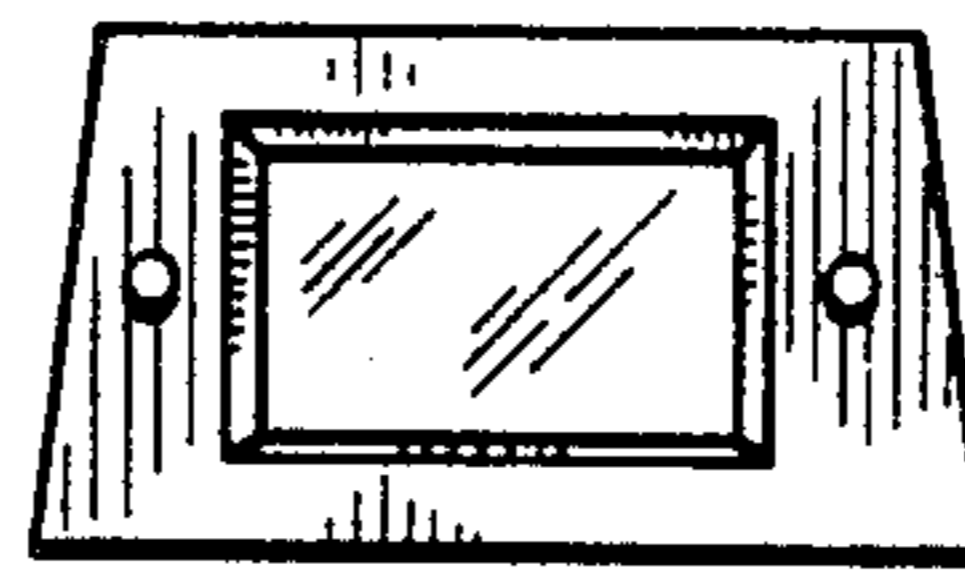


Fig. 3



Fig. 6

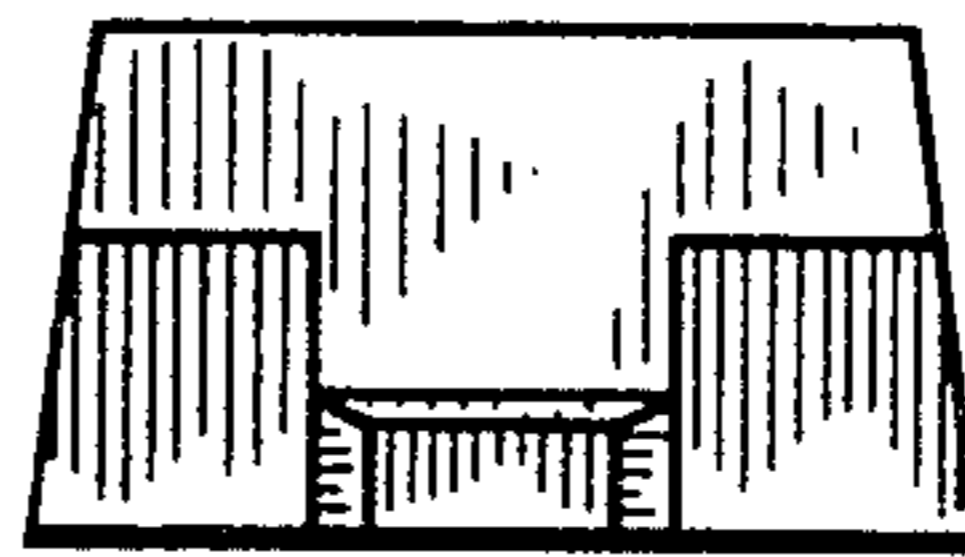


Fig. 5

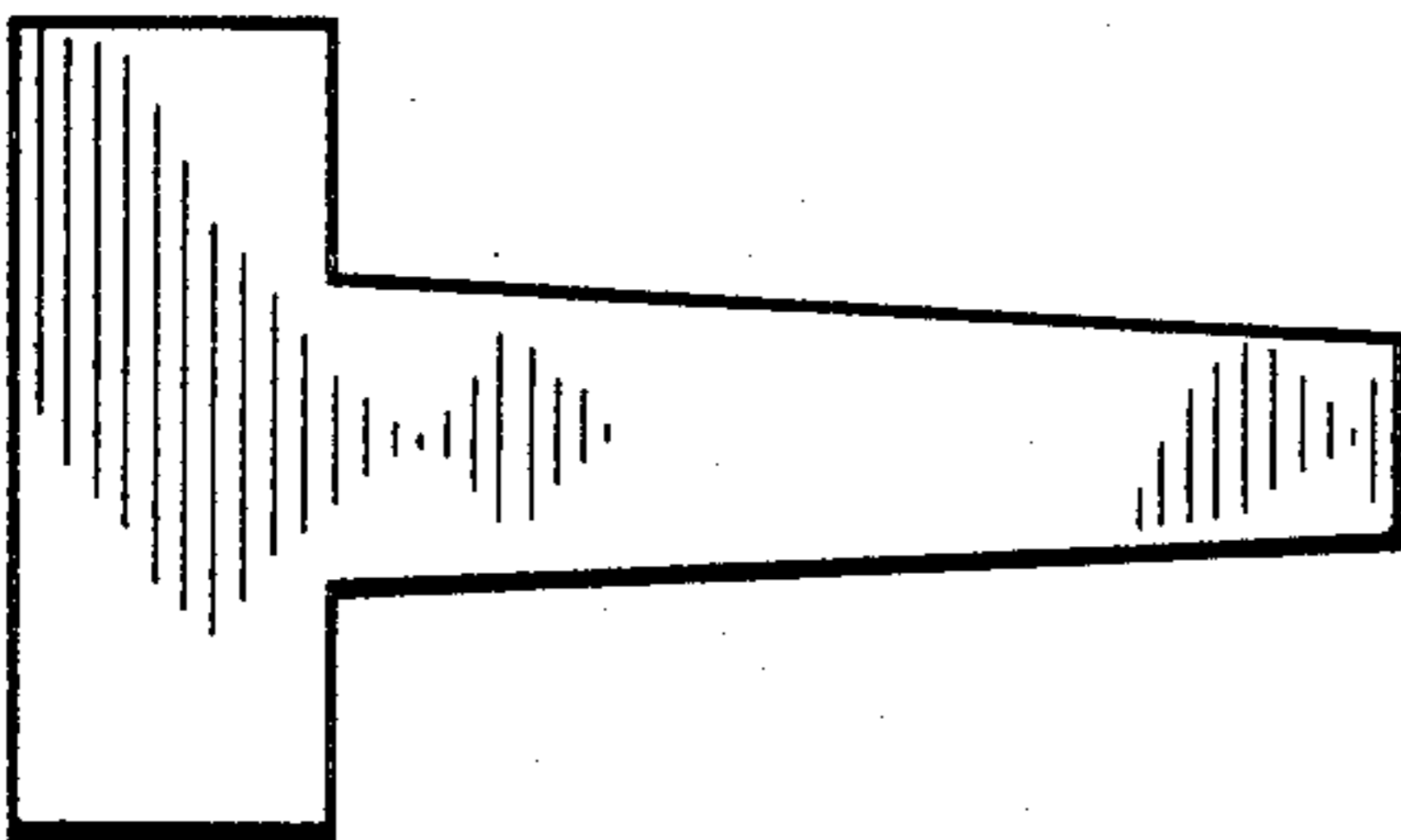


Fig. 7