

# United States Patent [19]

Lampe

[11] Patent Number: **Des. 281,673**

[45] Date of Patent: **\*\* Dec. 10, 1985**

[54] **PACKAGING CONTAINER**

[75] Inventor: **Deirdre A. Lampe, Sydney, Australia**

[73] Assignee: **Magic Products Corporation Pty. Limited, Sydney, Australia**

[\*\*] Term: **14 Years**

[21] Appl. No.: **449,246**

[22] Filed: **Dec. 13, 1982**

[52] U.S. Cl. .... **D9/398; D9/424**

[58] Field of Search ..... **D9/349, 352, 353, 355, D9/390, 398, 403, 410, 424; 215/1 R, 1 C**

[56] **References Cited**

**U.S. PATENT DOCUMENTS**

- D. 85,690 12/1931 Enderlin ..... D9/377  
D. 192,755 5/1962 Lonker ..... D9/398

- D. 214,553 7/1969 Plummer ..... D9/398  
D. 227,003 5/1973 Graham ..... D9/353  
D. 274,848 7/1984 Cheuassus ..... D9/353 X

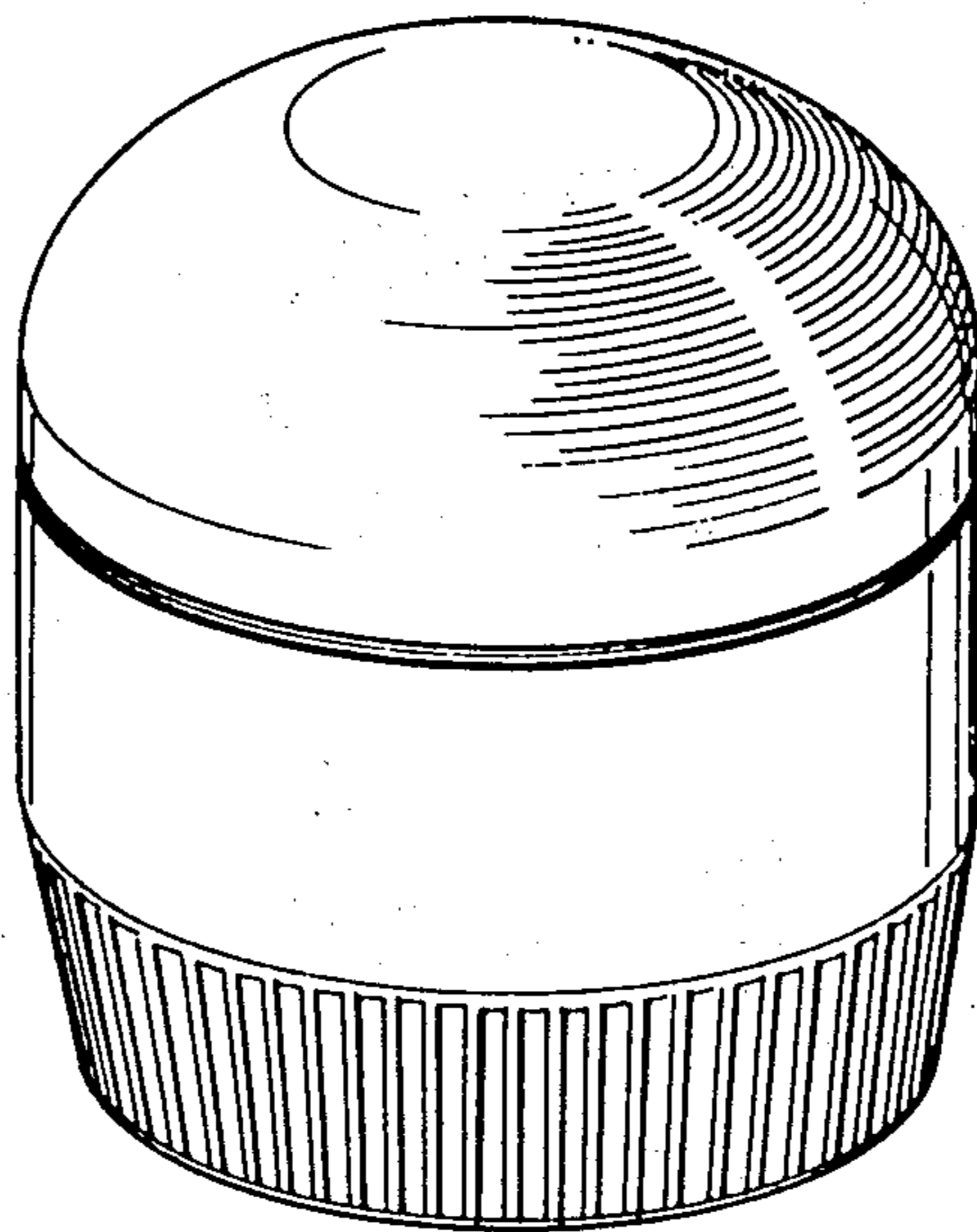
*Primary Examiner*—Robert C. Spangler  
*Attorney, Agent, or Firm*—Holman & Stern

[57] **CLAIM**

The ornamental design for a packaging container, as shown and described.

**DESCRIPTION**

FIG. 1 is a perspective view of a packaging container showing my new design;  
FIG. 2 is an exploded perspective view;  
FIG. 3 is a side elevational view on an enlarged scale;  
FIG. 4 is a top plan view thereof;  
FIG. 5 is a bottom plan view thereof;  
FIG. 6 is a sectional view taken along the line 6—6 of FIG. 4.



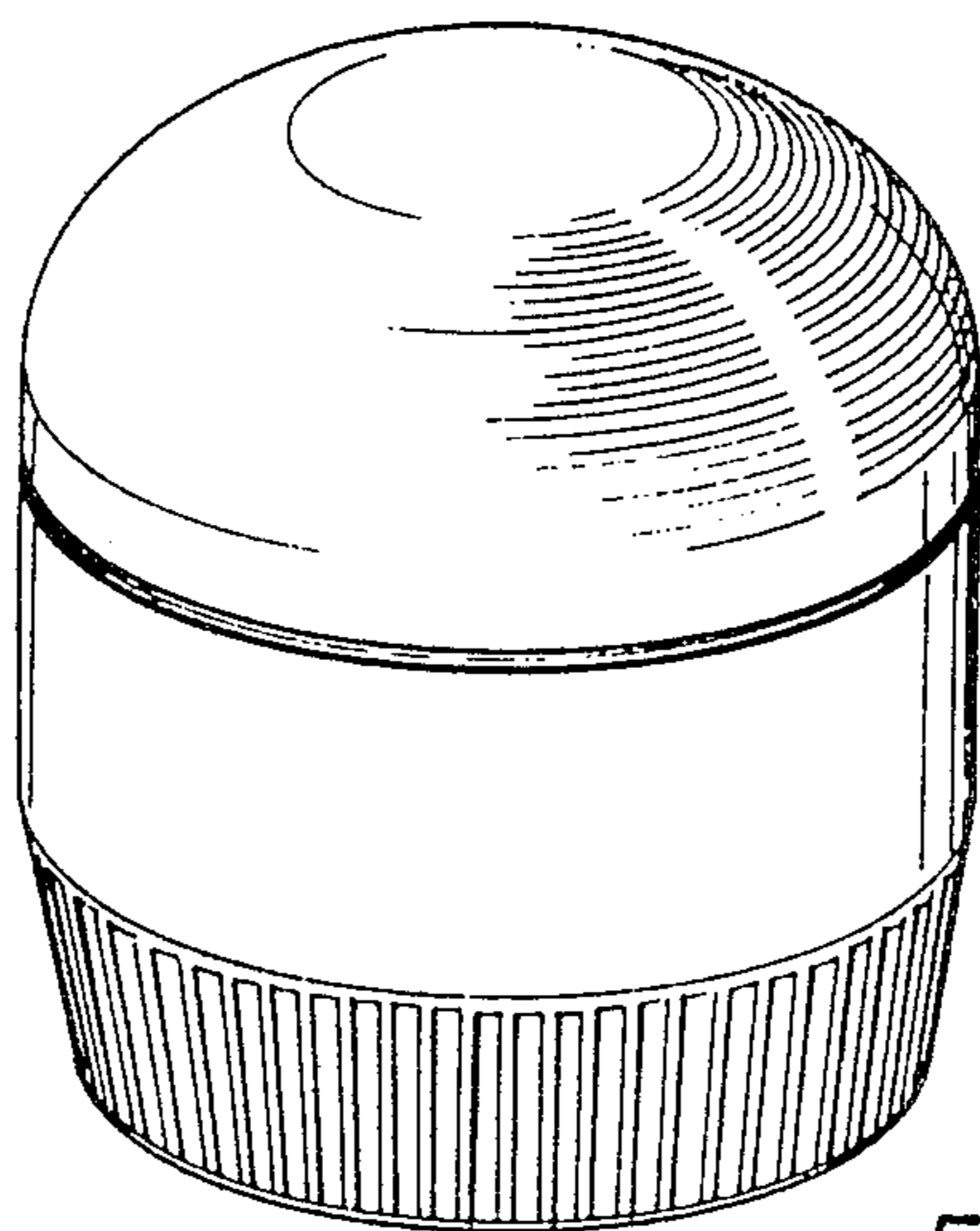
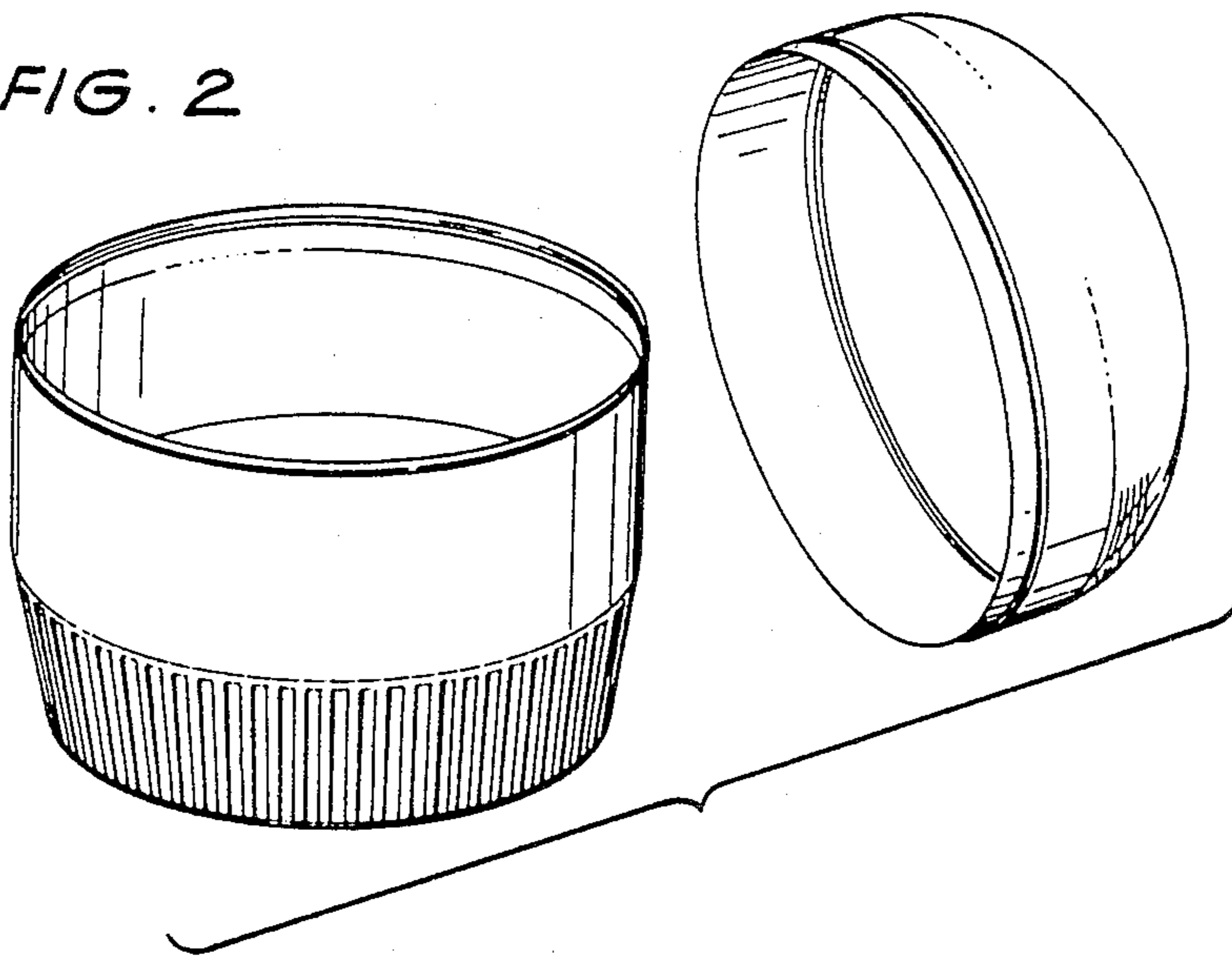


FIG. 1

FIG. 2



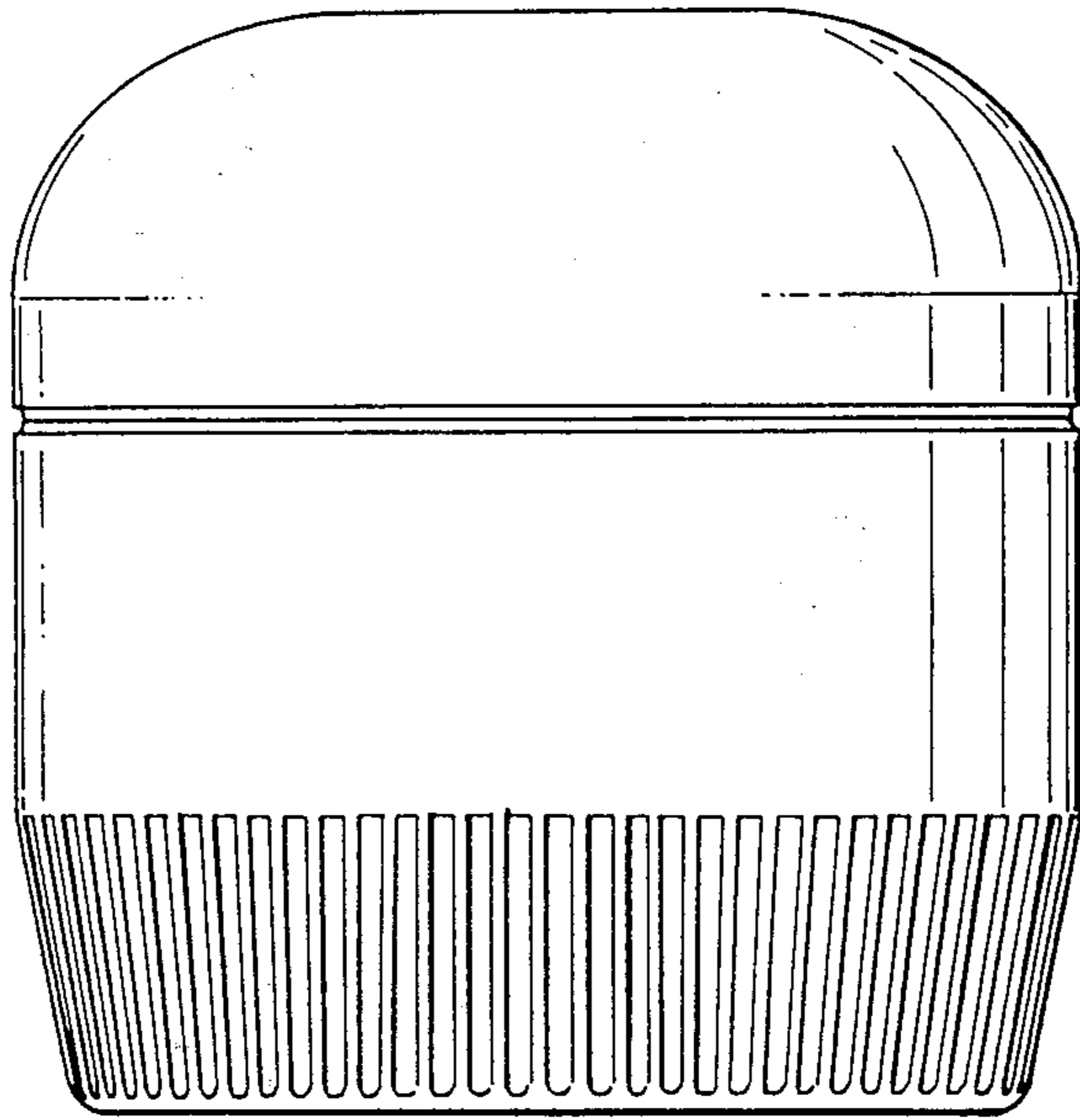


FIG. 3

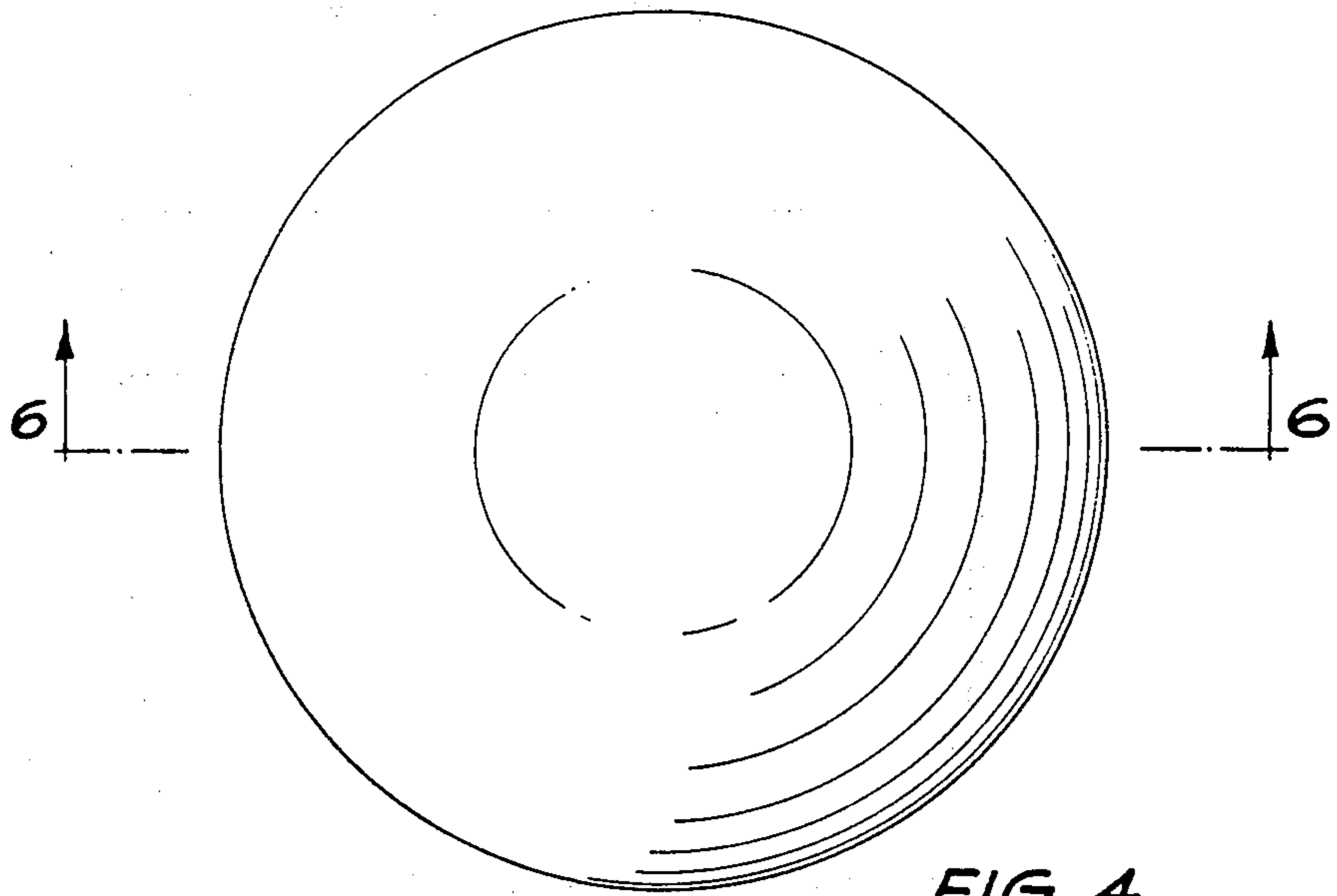


FIG. 4

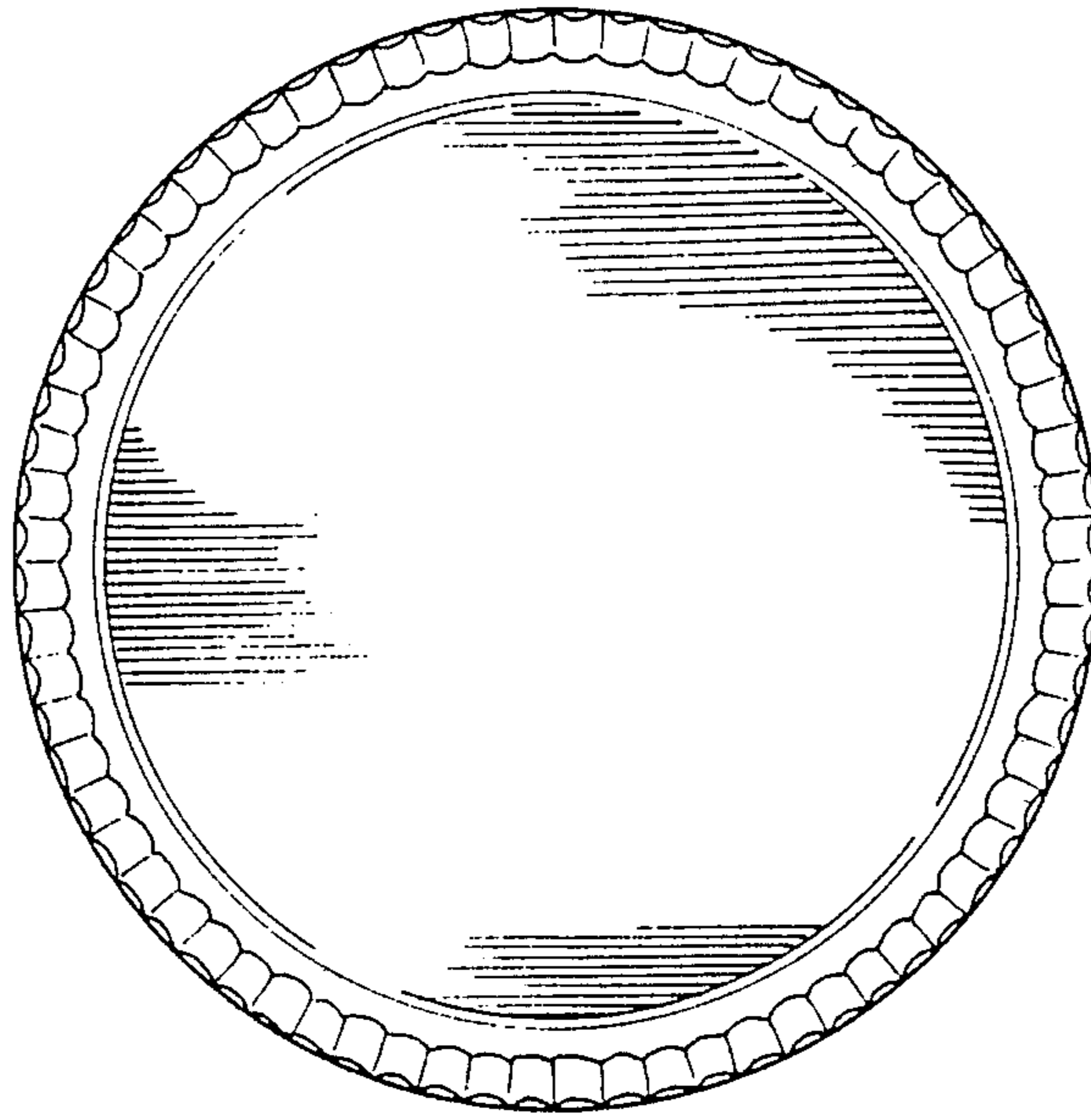


FIG. 5

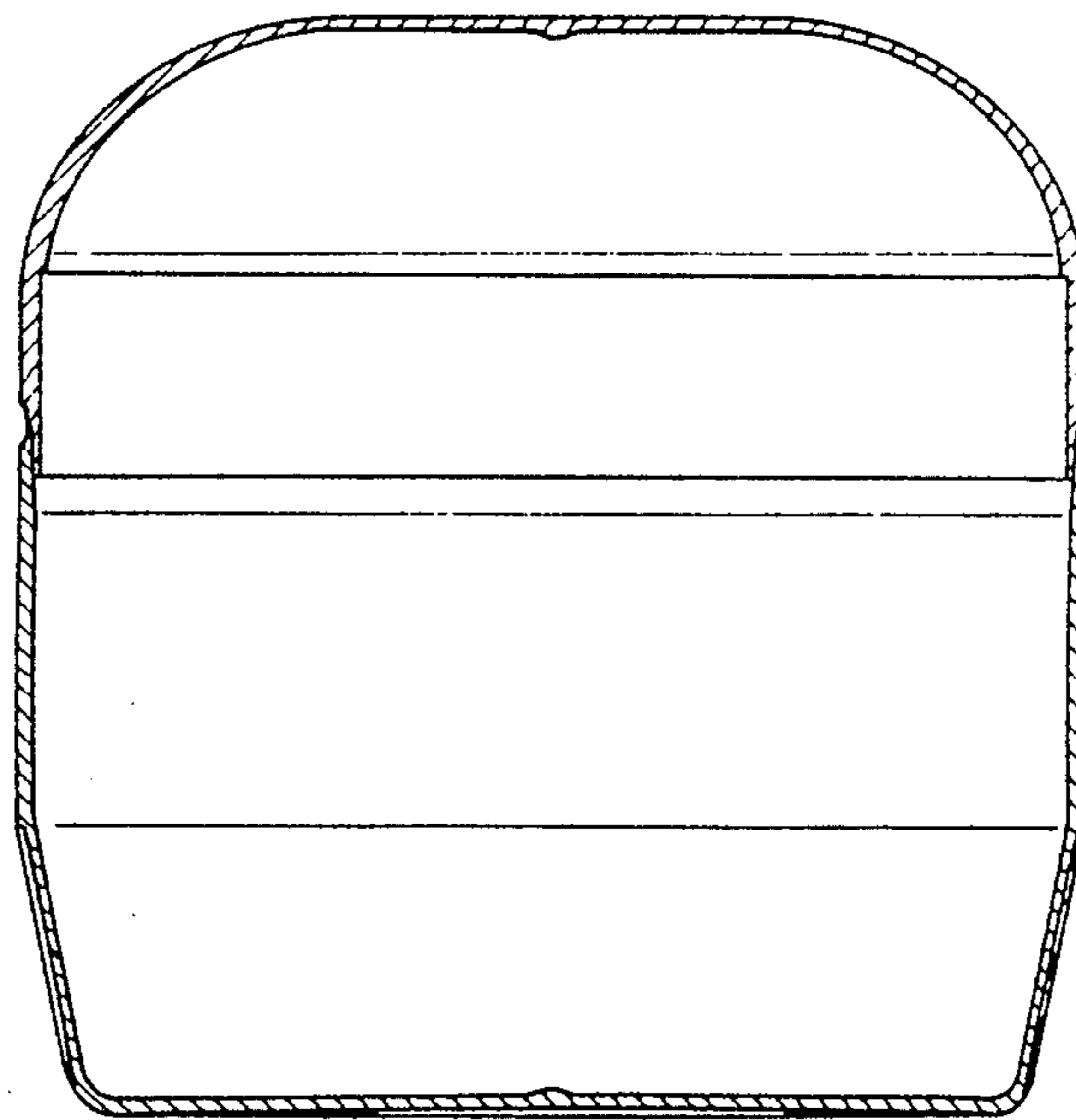


FIG. 6