

[54] **COMBINED BAG AND SUPPORTING STRUCTURE**

[76] **Inventor: Richard Durbin, Hill Farm House, North Marston, Buckinghamshire, England**

[\*\*] **Term: 14 Years**

[21] **Appl. No.: 454,637**

[22] **Filed: Dec. 30, 1982**

[30] **Foreign Application Priority Data**

Dec. 8, 1982 [GB]	United Kingdom	1010165
[52] <b>U.S. Cl.</b>		<b>D9/305</b>
[58] <b>Field of Search</b>		D9/305, 337; 150/48-51; 383/6-22, 33

[56] **References Cited**

**U.S. PATENT DOCUMENTS**

608,998	8/1898	Apthorp	150/49
644,038	2/1900	Whalley	383/12
1,822,893	9/1931	Kapolkin	D34/17 X
2,224,537	12/1940	Cowan	150/49
2,598,136	5/1952	Schmitz	150/51

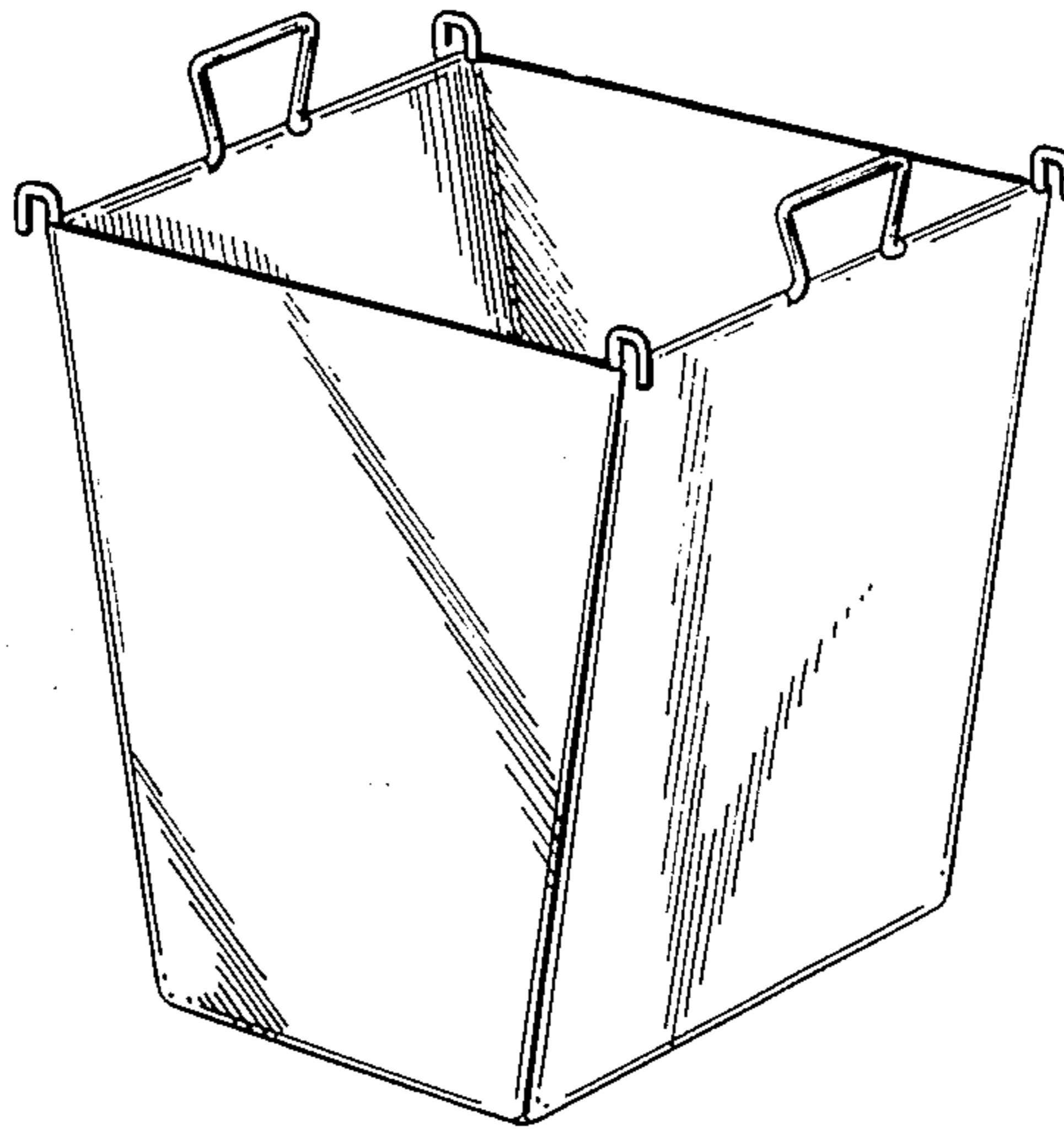
*Primary Examiner*—Robert C. Spangler  
*Attorney, Agent, or Firm*—Watson, Cole, Grindle & Watson

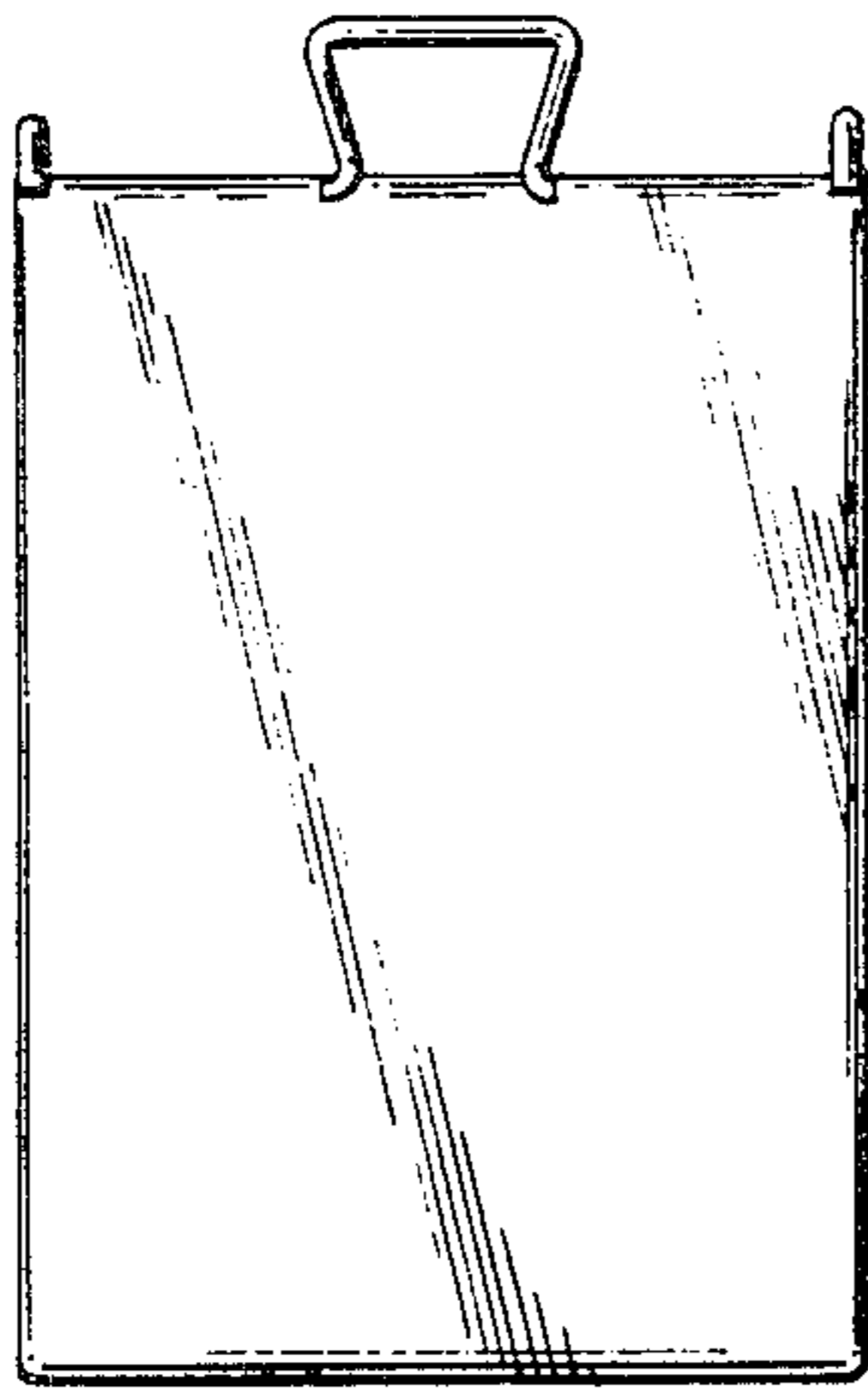
[57] **CLAIM**

The ornamental design for a combined bag and supporting structure, as shown.

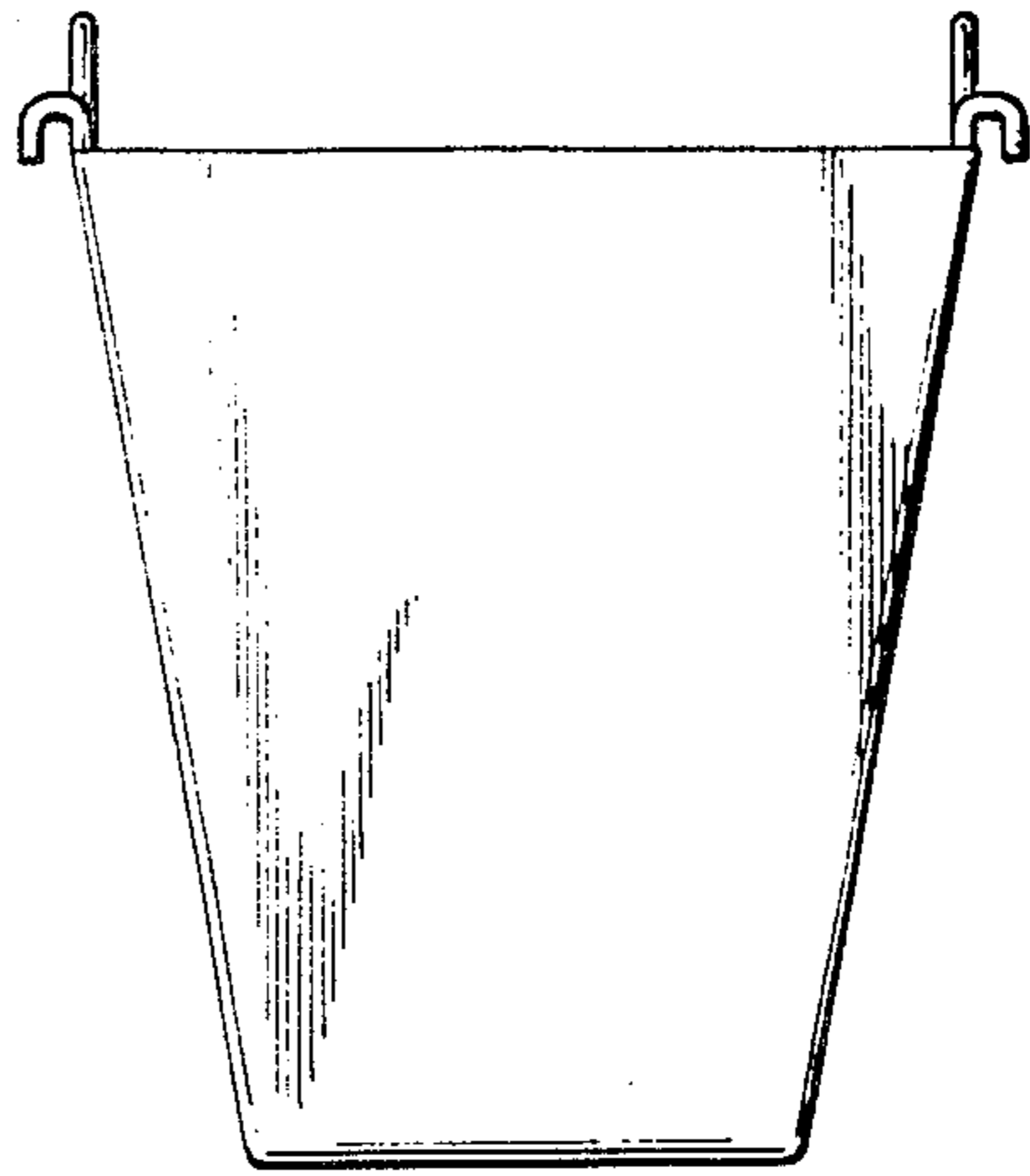
**DESCRIPTION**

FIG. 1 is an end elevational view of a combined bag and supporting structure showing my new design;  
FIG. 2 is a side elevational view;  
FIG. 3 is a top plan view; and  
FIG. 4 is a top perspective view.

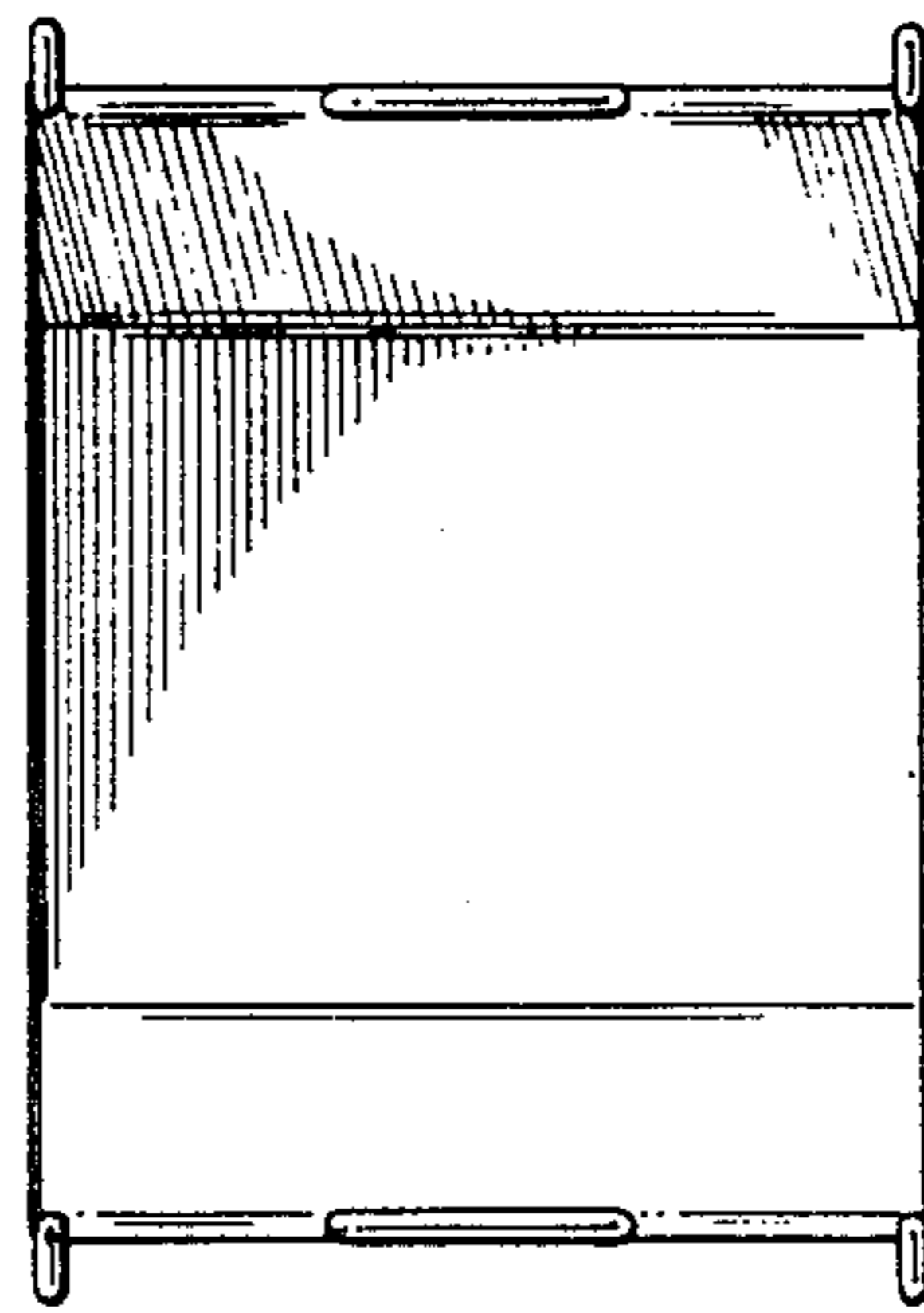




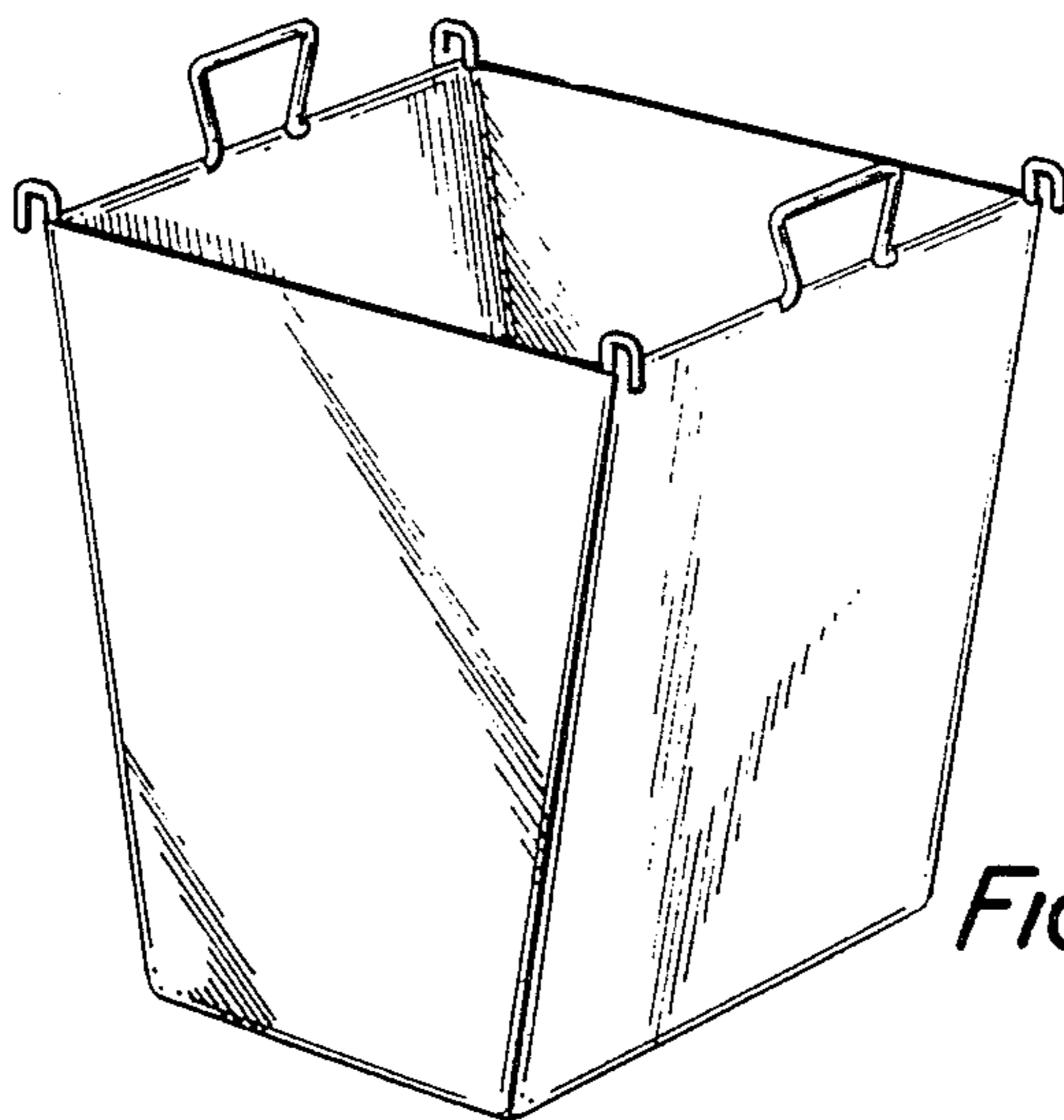
*FIG. 1.*



*FIG. 2.*



*FIG. 3.*



*FIG. 4.*