

[54] **COMBINED LATCH OPERATING HANDLE AND HANDLE HOUSING**

[75] Inventors: **Lee S. Weinerman**, Strongsville;  
**Michael J. Rachocki**, Brecksville;  
**Donald J. Dignan**, South Euclid, all of Ohio

[73] Assignee: **The Eastern Company**, Cleveland, Ohio

[\*\*] Term: **14 Years**

[21] Appl. No.: **515,934**

[22] Filed: **Jul. 20, 1983**

[52] U.S. Cl. .... **D8/302; D8/319; D8/353**

[58] Field of Search ..... **D8/300, 301, 302, 306, D8/353; 16/110 R, 111 R, 124; 190/39; 292/DIG. 68, 336.3**

[56] **References Cited**

**U.S. PATENT DOCUMENTS**

- D. 196,424 10/1963 Aré et al. .... D8/306
- D. 218,672 9/1970 Lauper ..... D8/302
- D. 225,207 11/1972 Watt, Jr. .... D8/306
- D. 230,132 1/1974 Pastra ..... D8/306

- D. 230,252 2/1974 Wilkes et al. .... D8/306
- 2,721,751 10/1955 Holritz ..... 292/336.3

**FOREIGN PATENT DOCUMENTS**

2141 of 1898 United Kingdom ..... 190/39

**OTHER PUBLICATIONS**

J. H. Sessions and Sons, *Handles and Clamps*, 2 page brochure, date unknown.  
Weiland Metal Products Co., *Wire Handles*, 2 page brochure, date unknown.

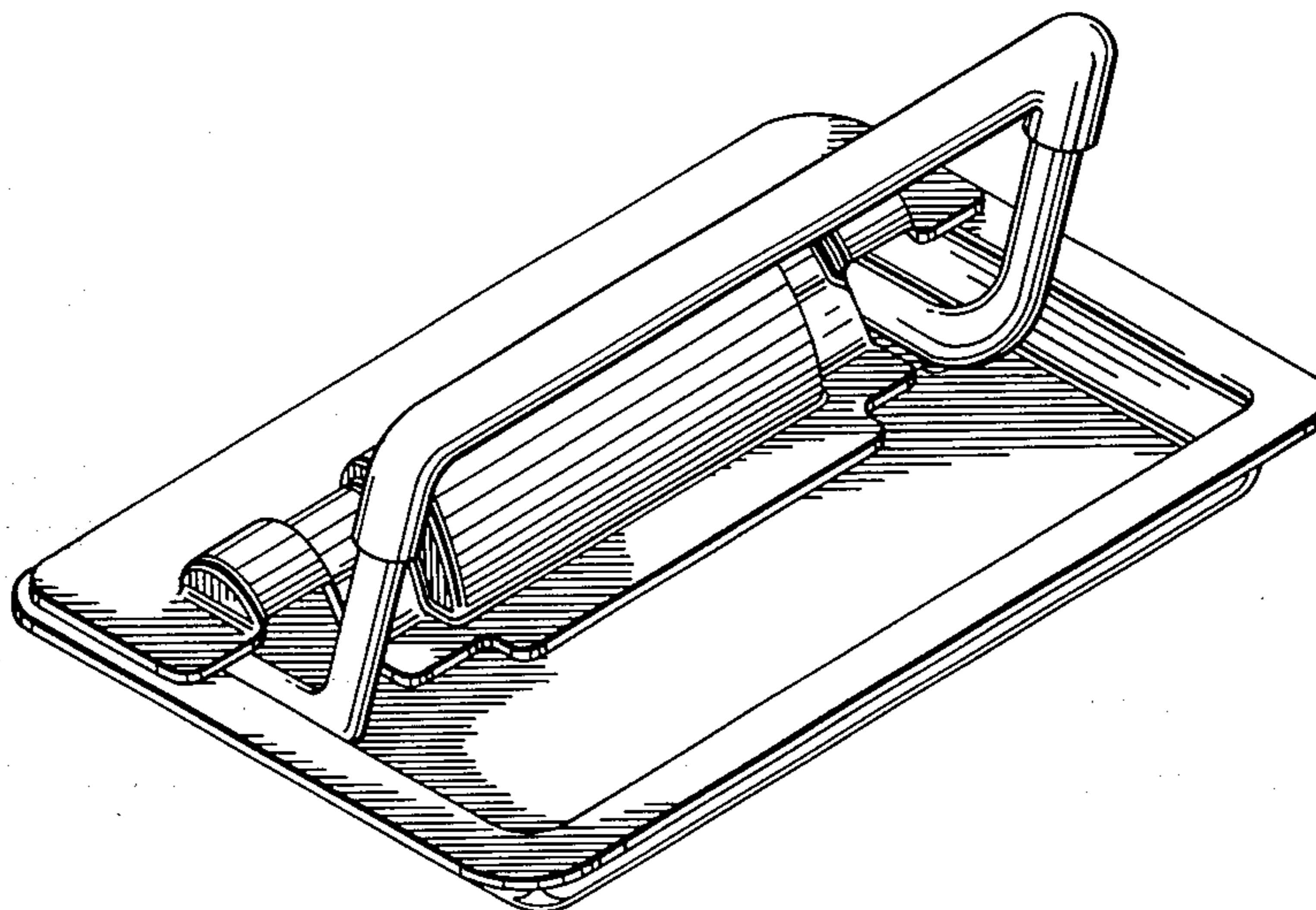
*Primary Examiner*—B. J. Bullock  
*Attorney, Agent, or Firm*—David A. Burge

[57] **CLAIM**

The ornamental design for a combined latch operating handle and handle housing, as shown and described.

**DESCRIPTION**

FIG. 1 is a top plan view of a combined latch operating handle and handle housing embodying our new design; FIG. 2 is an end elevational view taken from the bottom of FIG. 1; FIG. 3 is a bottom plan view thereof; FIG. 4 is a side elevational view taken from the right of FIG. 1; FIG. 5 is a perspective view thereof.



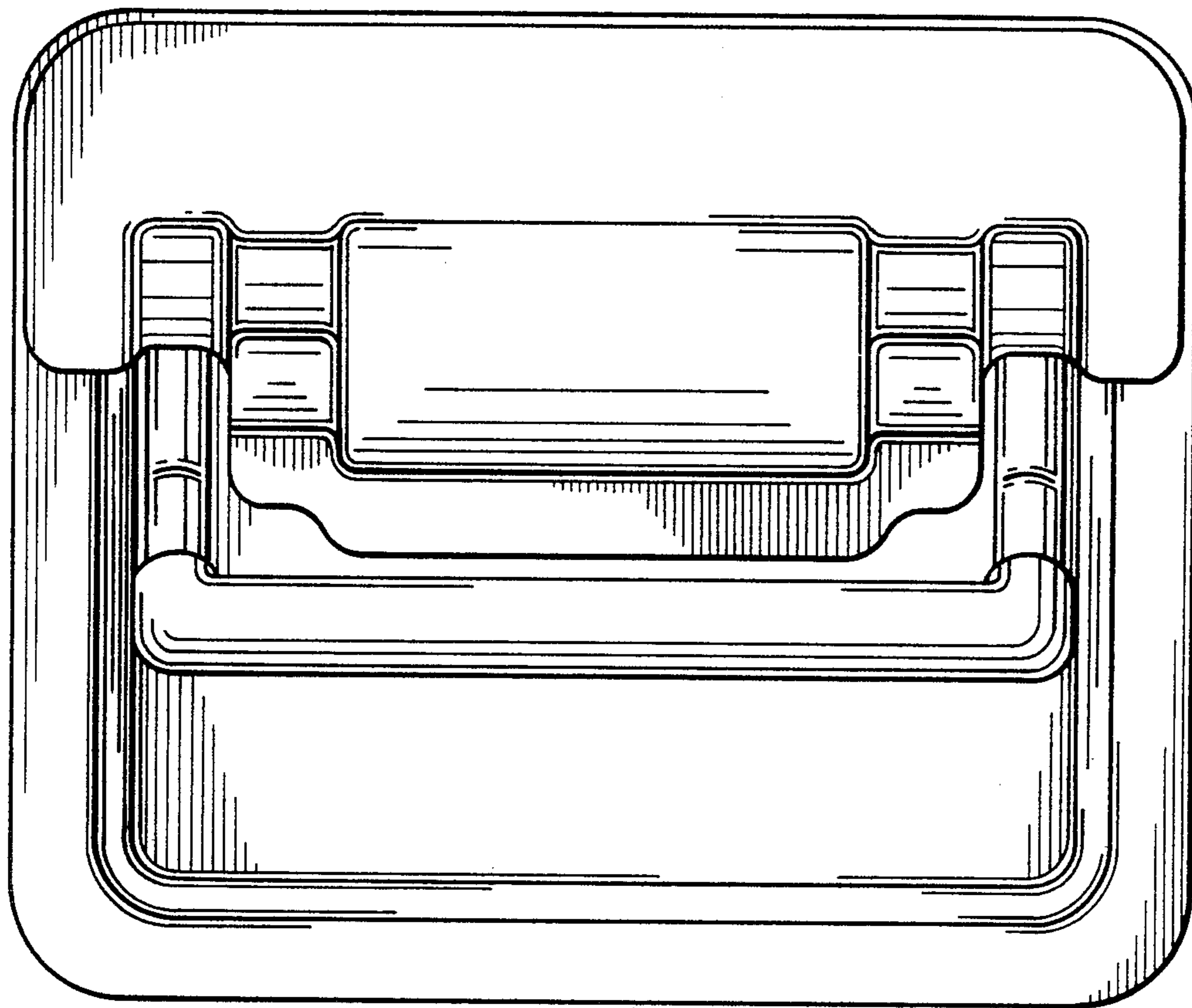


FIG. 1

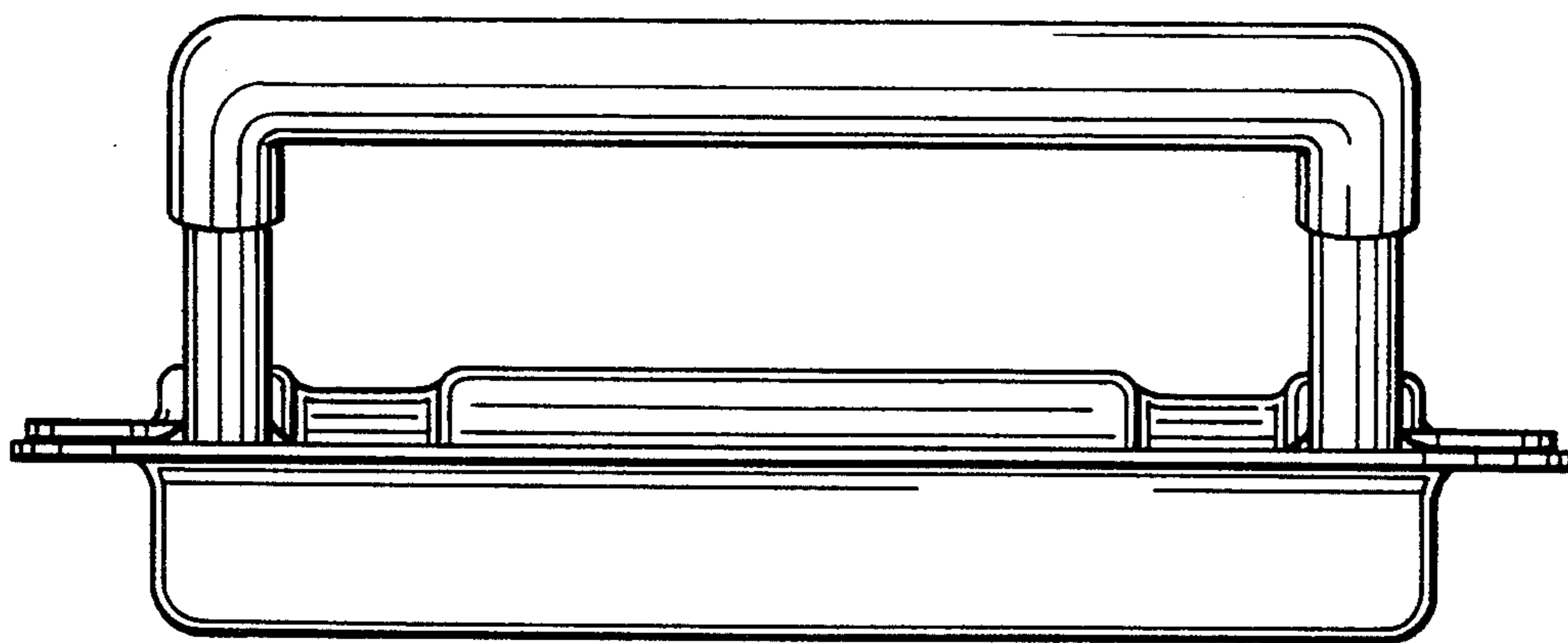


FIG. 2

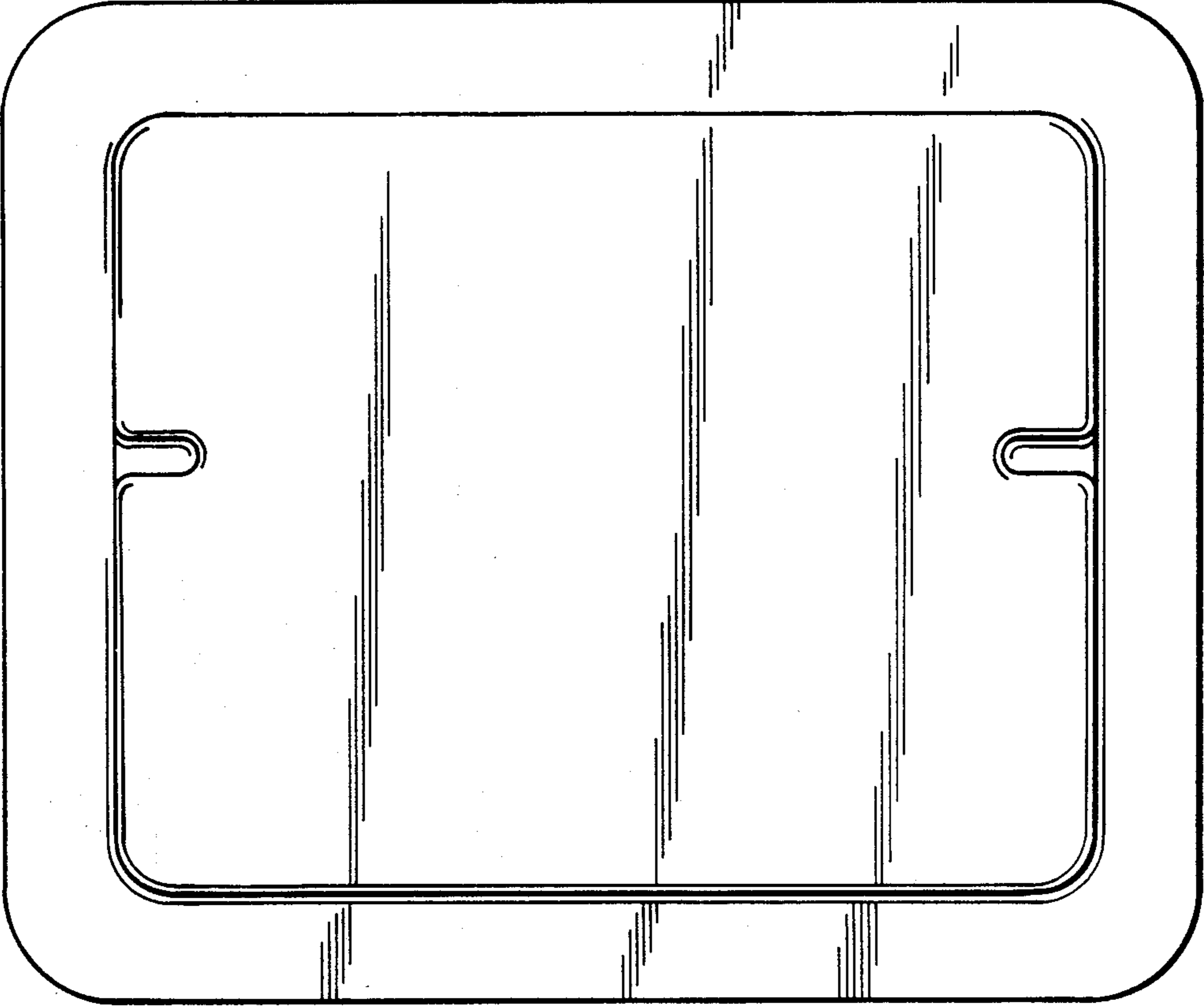


FIG. 3

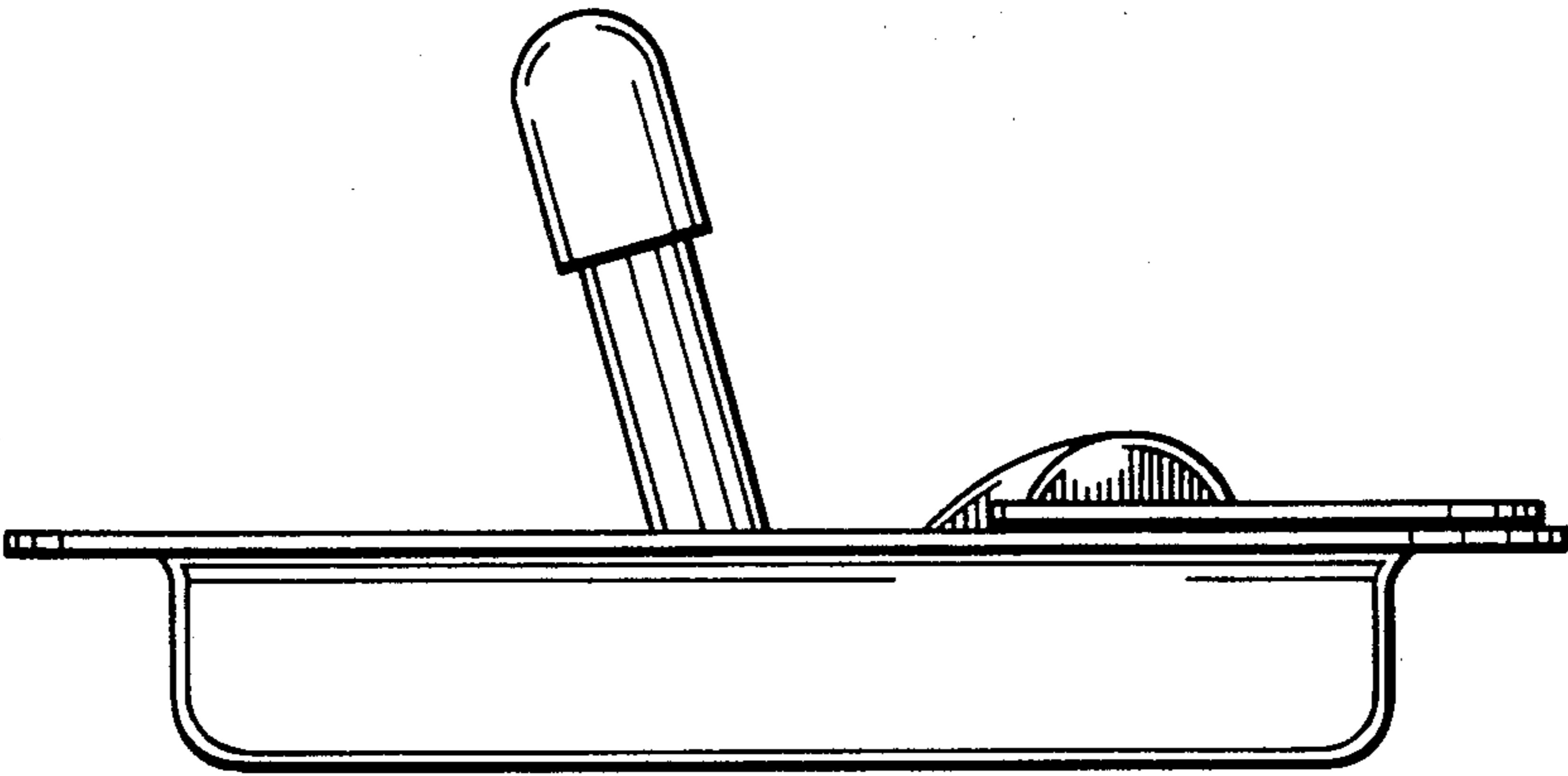


FIG. 4

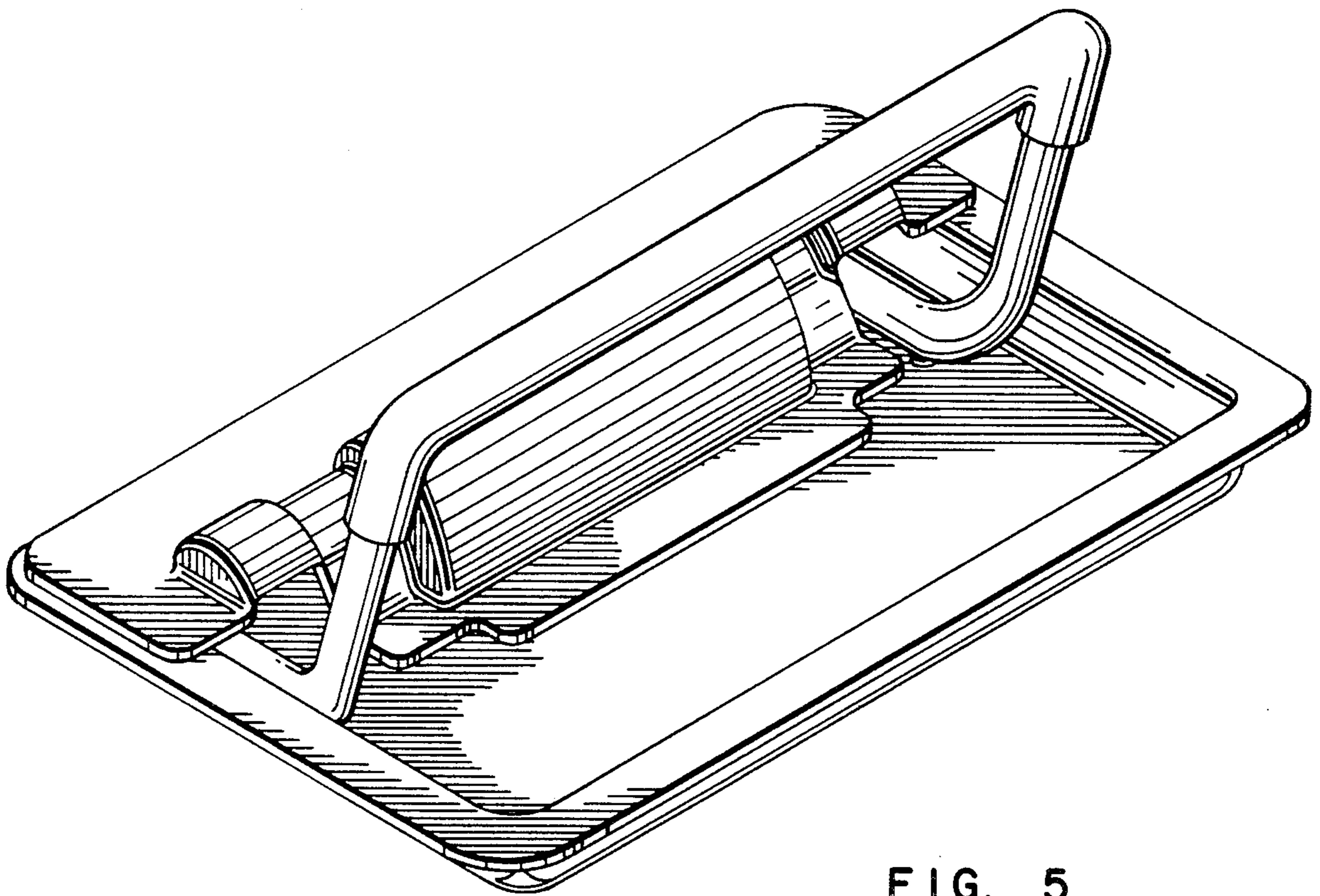


FIG. 5