

[54] **PORTABLE ROTOR VISE**

[56] **References Cited
PUBLICATIONS**

[75] **Inventors: Daniel G. Crotty, San Jose; Hugh O. Brown, Campbell, both of Calif.**

Beckman Instruments, Inc. Instruction Manual, JCF-Z Zonal and Continuous Flow Rotor, p. 39, FIG. 19.
The Charles Parker Co., Catalog 63, Parker Vises, p. 1, #2 Swivel Base Construction.
Wilton Vises Brochure, Machinists' Vises p. V-3.
Hardware Age Pub., p. 70. May 1961, Vise with Rotating Base.

[73] **Assignee: Beckman Instruments, Inc., Fullerton, Calif.**

Primary Examiner—James M. Gandy
Attorney, Agent, or Firm—W. H. May; P. R. Harder; L. D. Rish

[**] **Term: 14 Years**

[57] **CLAIM**

[21] **Appl. No.: 395,400**

The ornamental design for a portable rotor vise, as shown.

[22] **Filed: Jul. 6, 1982**

DESCRIPTION

[52] **U.S. Cl. D8/74**

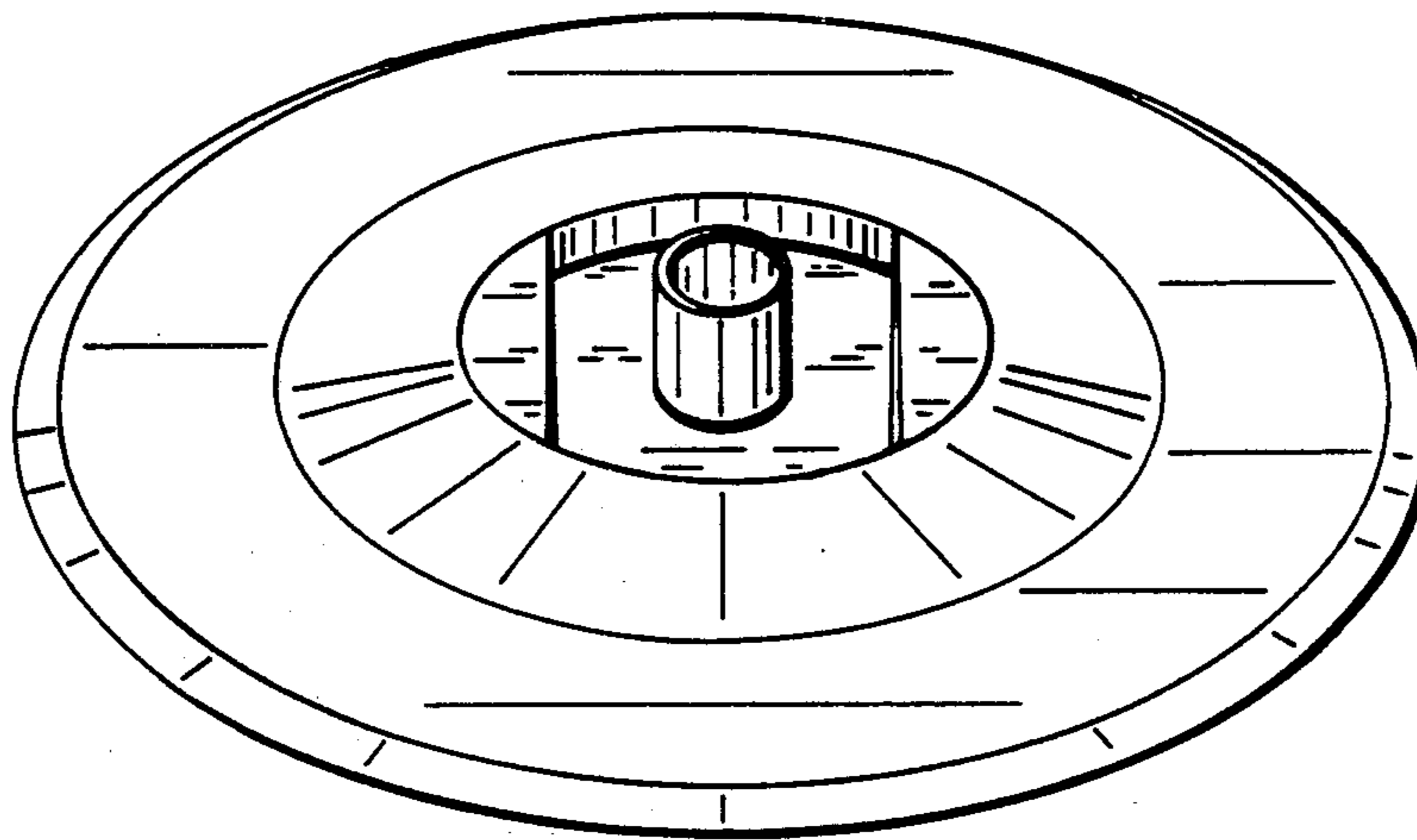
FIG. 1 is a top perspective view of a portable rotor vise showing our new design;

[58] **Field of Search D24/29, 17, 31, 25,**

FIG. 2 is a side elevation view thereof; and

D24/34, 36, 52, 38, 53, 8; D8/74; 269/303, 291, 292, 294

FIG. 3 is a bottom perspective view thereof.



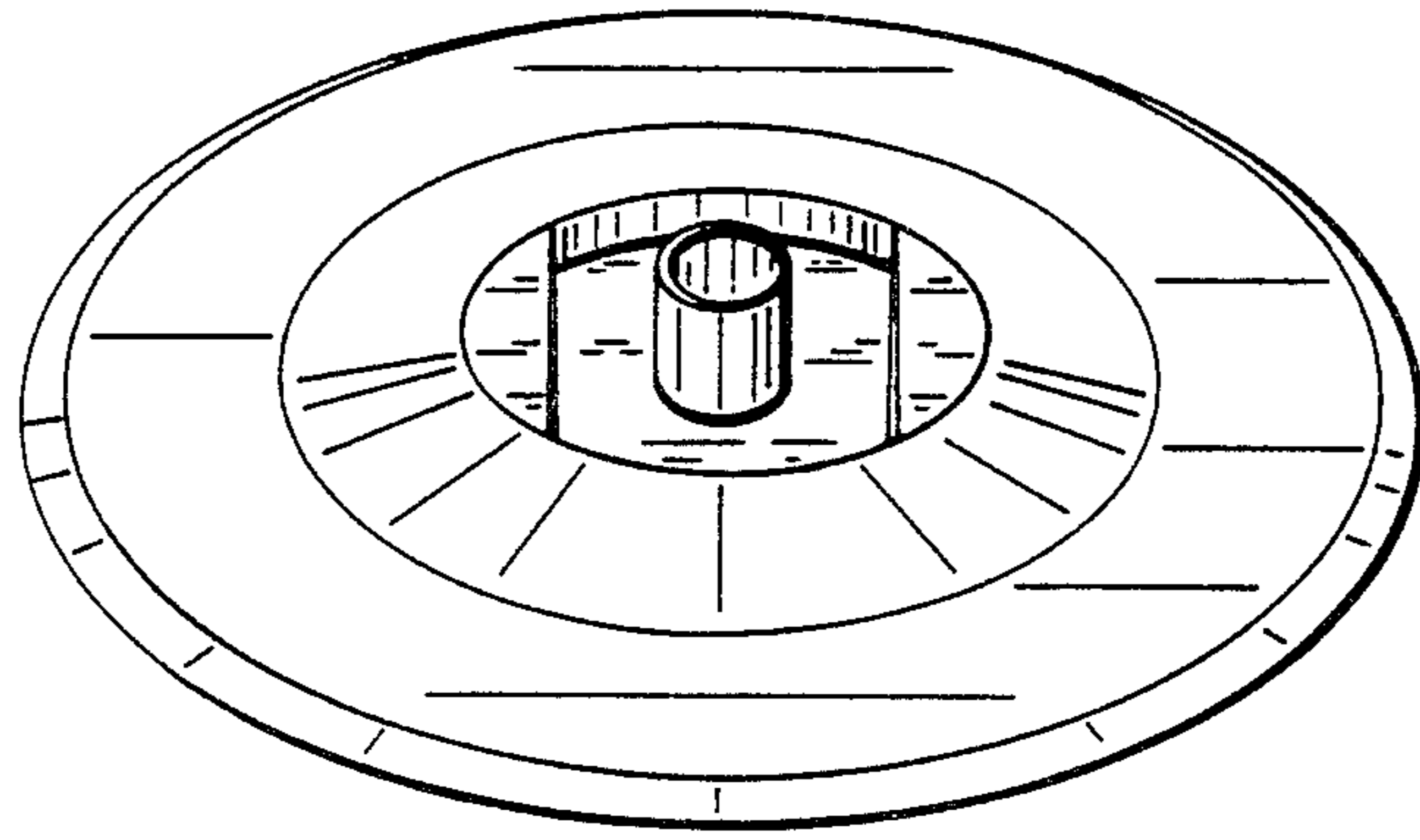


FIG. 1

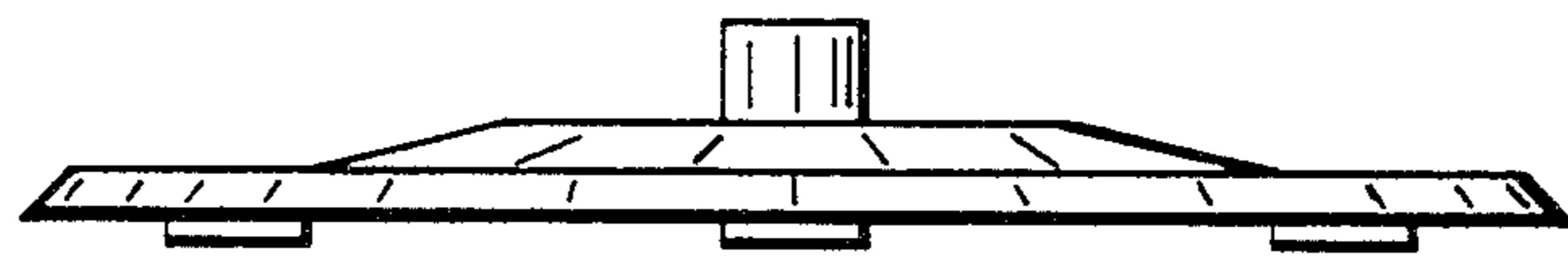


FIG. 2

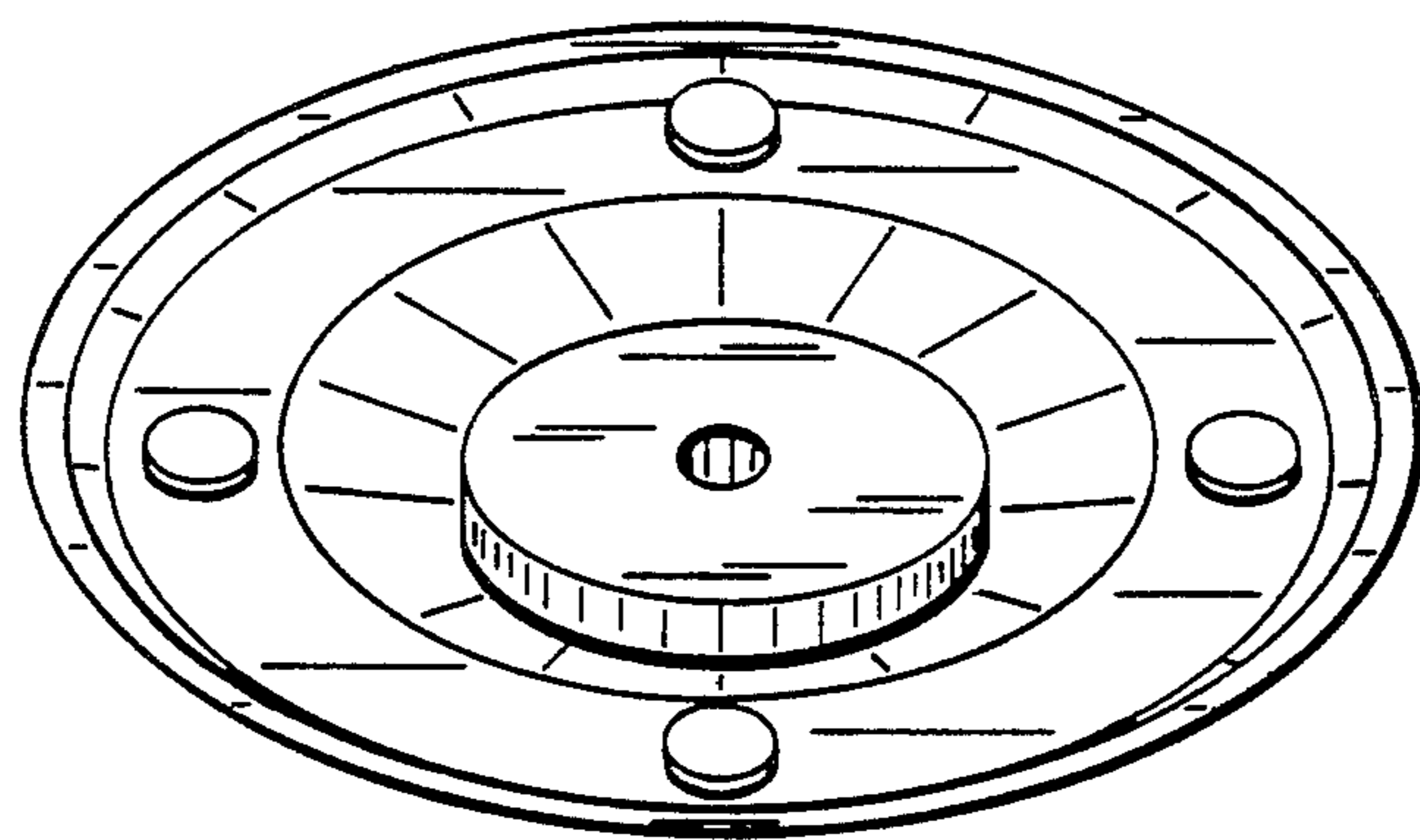


FIG. 3