

[54] CIRCULAR SAW

4,450,627 5/1984 Morvioto 30/391

[76] Inventors: Hitoshi Tsuru, 784-2, Fuchu-cho, Fuchu-shi, Hiroshima-ken; Tetsuyuki Doi, 35-24, Managura, Ekiya-cho, Fukuyama-shi, Hiroshima-ken, both of Japan

OTHER PUBLICATIONS

Rockwell Power Tools, 6/2/76, pp. 5-10, Circular Saw.

Primary Examiner—Wallace R. Burke
Assistant Examiner—Suzanne N. Gitlin

[**] Term: 14 Years

[57] CLAIM

[21] Appl. No.: 496,441

The ornamental design for a circular saw, as shown and described.

[22] Filed: May 20, 1983

[30] Foreign Application Priority Data

DESCRIPTION

Nov. 29, 1982 [JP] Japan 57-53875

[52] U.S. Cl. D8/66

[58] Field of Search D8/61, 64, 66; 30/391, 30/390, 388

FIG. 1 is a rear elevational view of a circular saw showing our new design;
FIG. 2 is a front elevational view thereof;
FIG. 3 is a left side elevational view thereof;
FIG. 4 is a right side elevational view thereof;
FIG. 5 is a bottom plan view thereof;
FIG. 6 is a top plan view thereof;
FIG. 7 is a reduced front and right side perspective view thereof;
FIG. 8 is a reduced rear and left side perspective view thereof.

[56] References Cited

U.S. PATENT DOCUMENTS

D. 203,434	1/1966	Dawson	D8/66
D. 259,235	5/1981	Dibbern, Jr. et al.	D8/66
D. 262,772	1/1982	Glass et al.	D8/66
2,993,518	7/1961	Bork	30/391

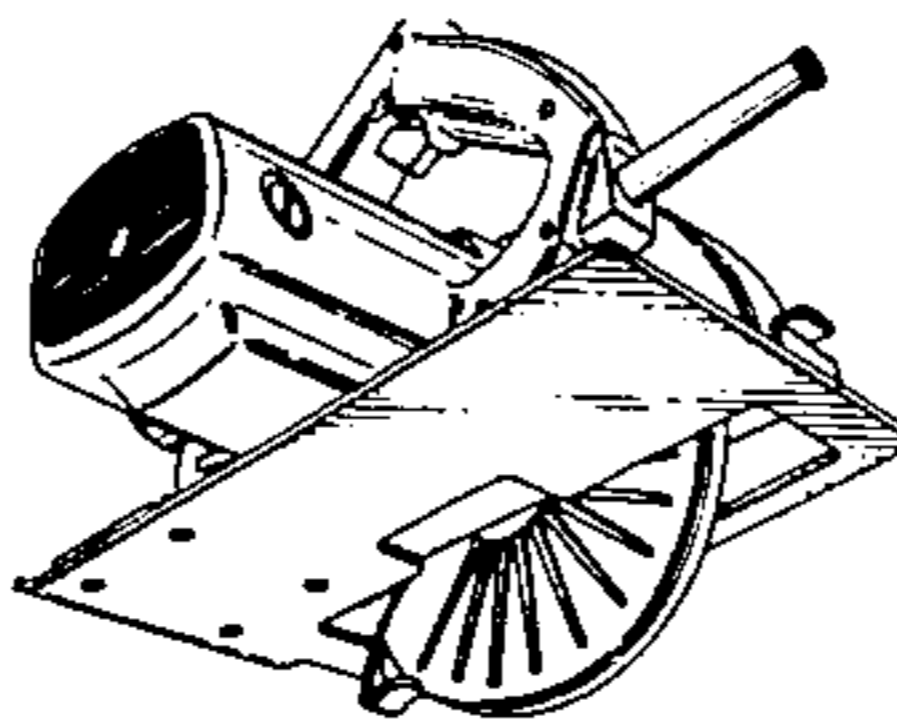
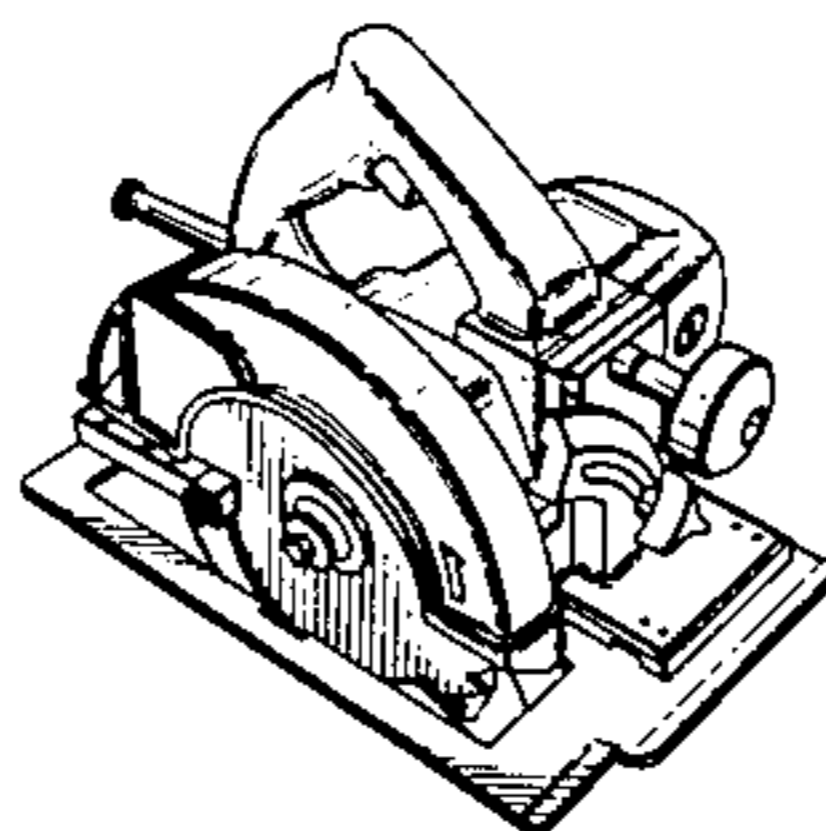


FIG. 1

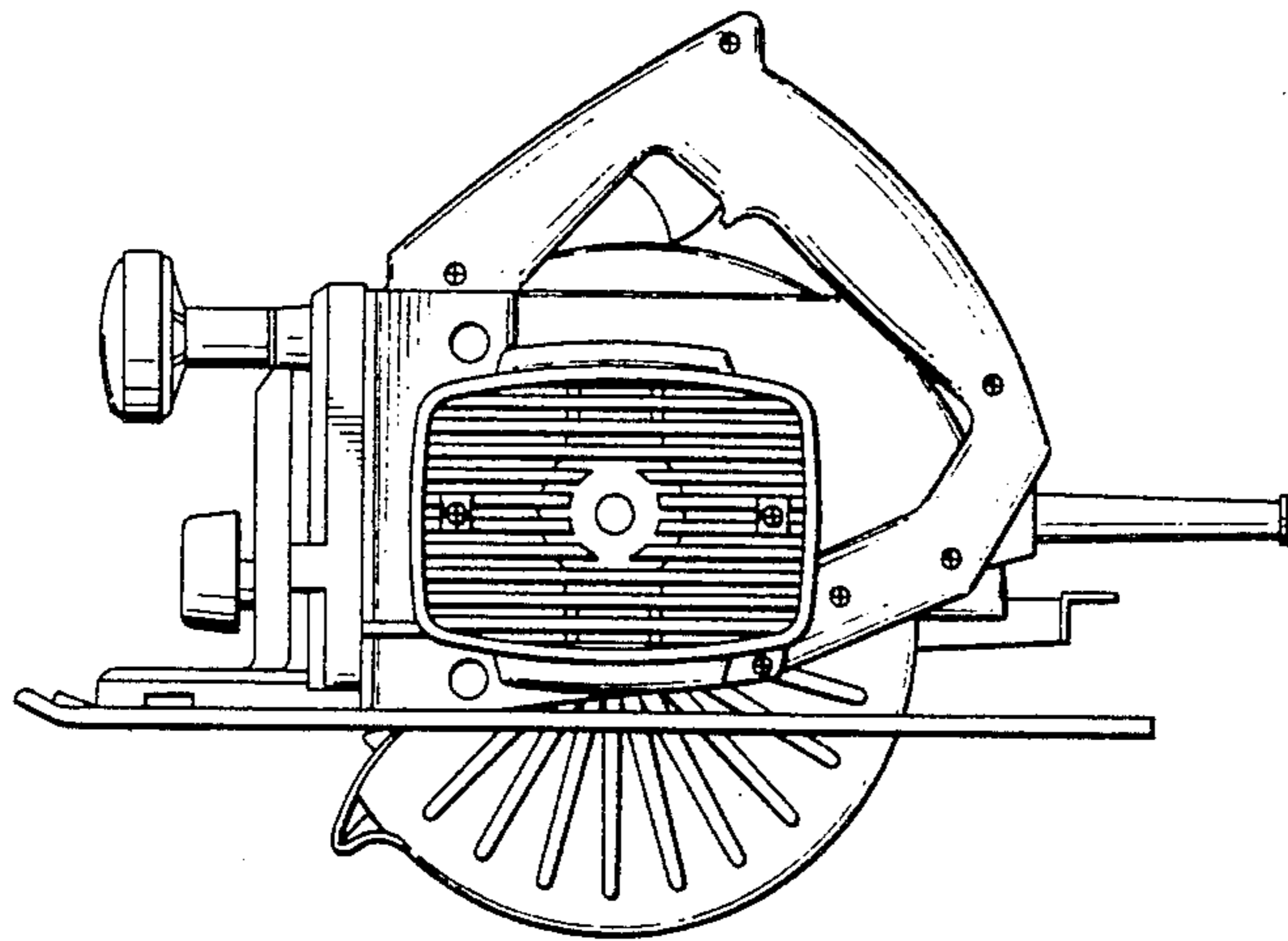


FIG. 2

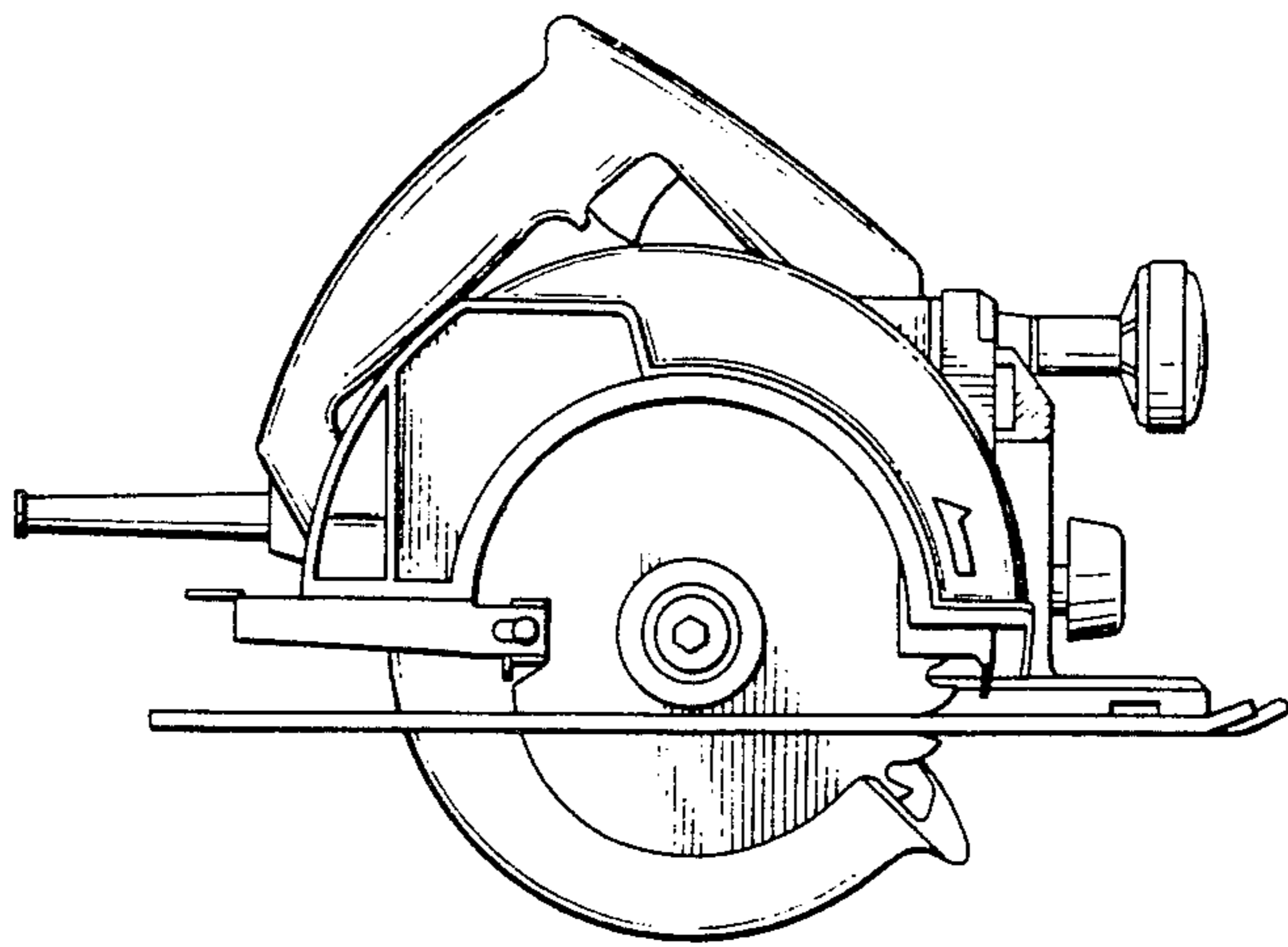


FIG. 3

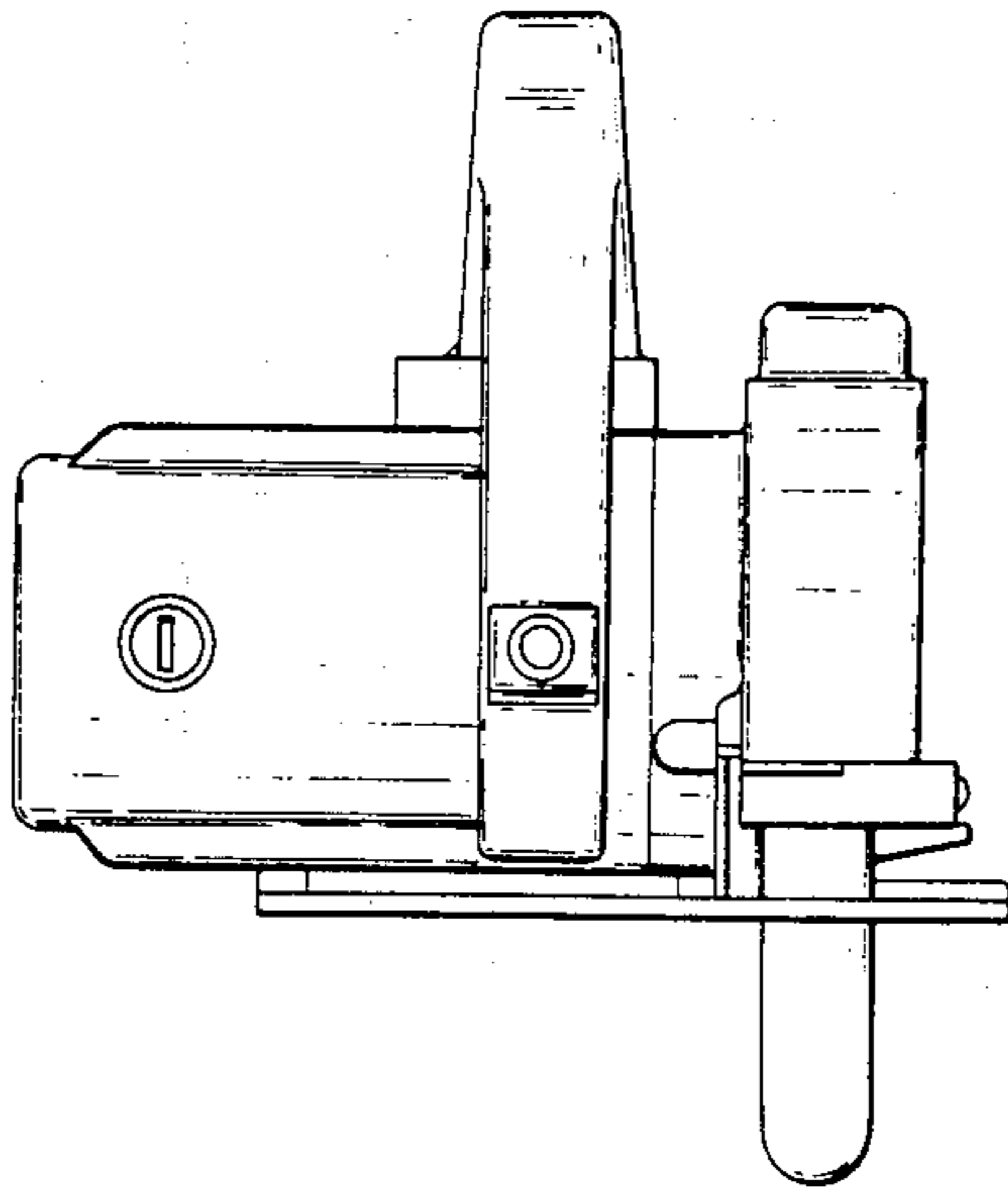


FIG. 4

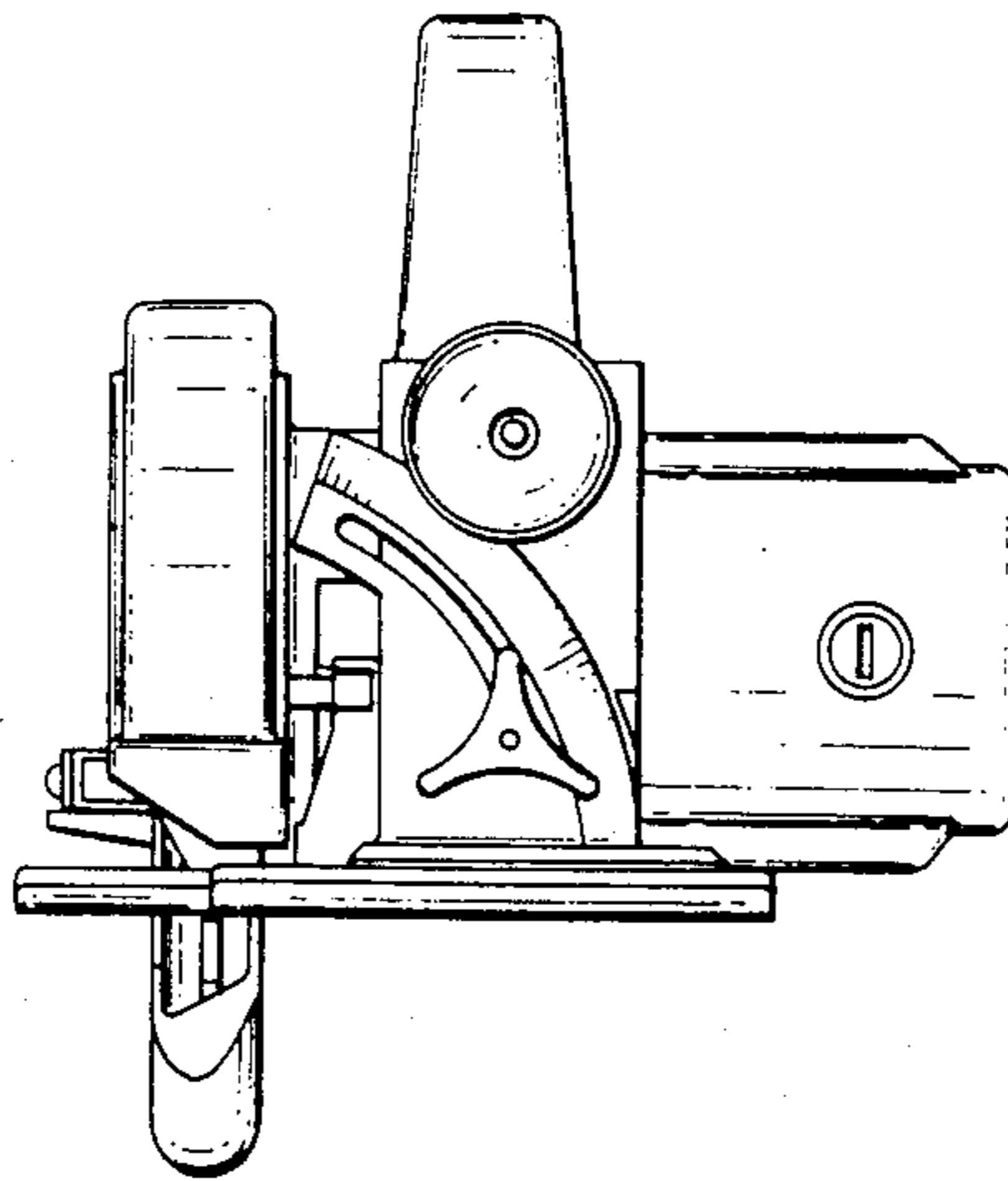


FIG. 5

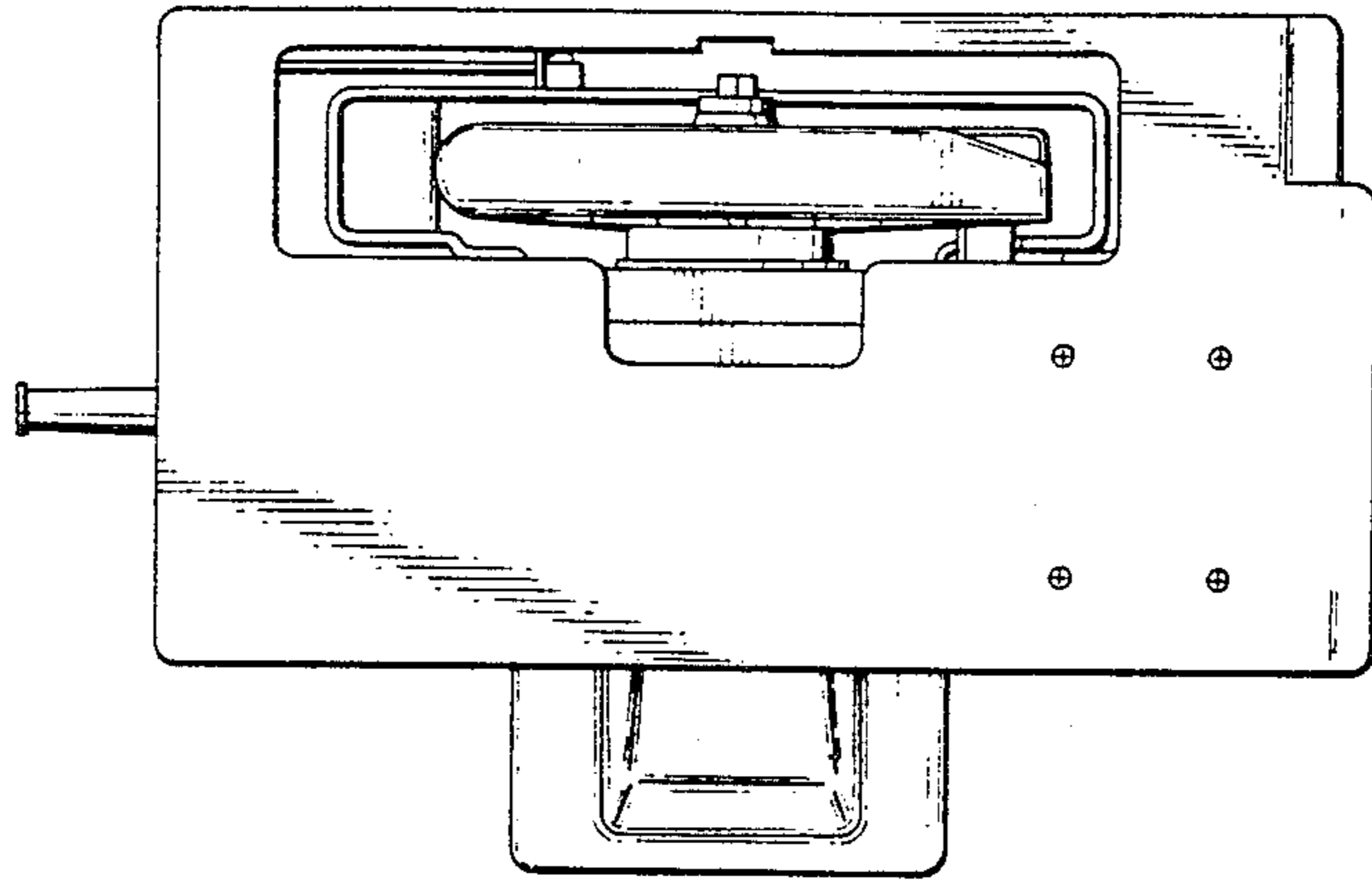


FIG. 6

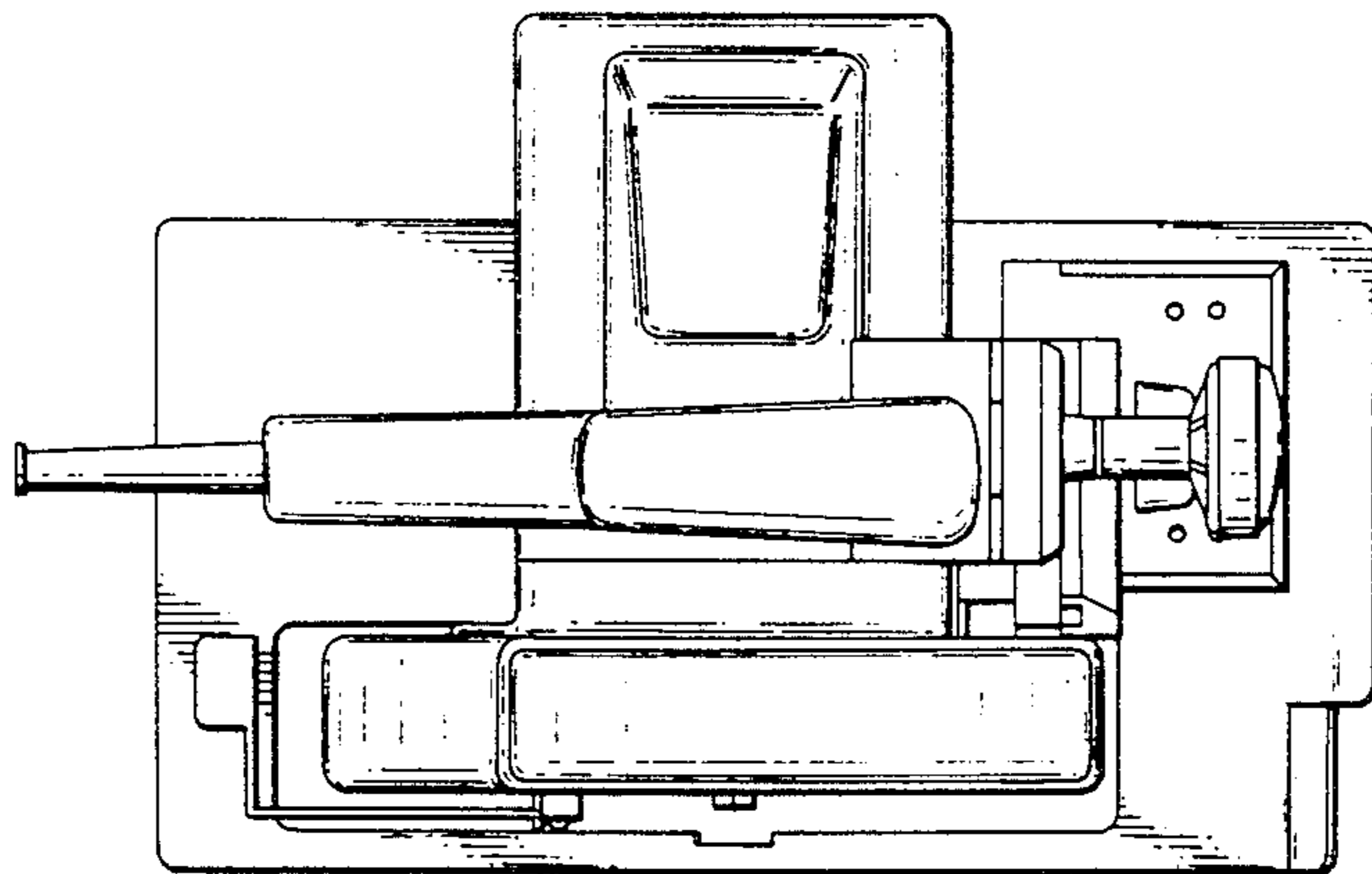


FIG. 7

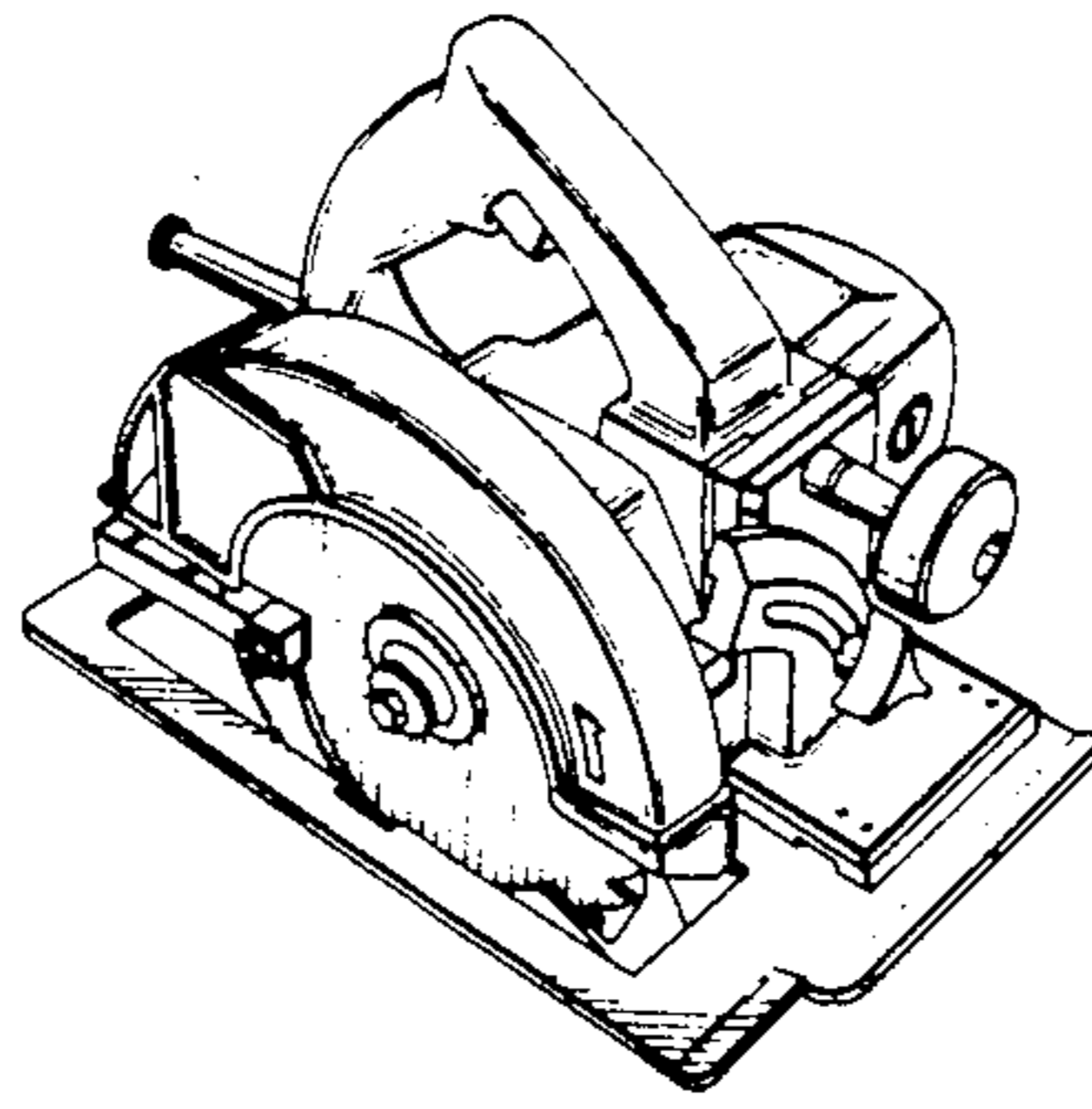


FIG. 8

