

[54] COVERED CROCK FOR FOODS OR THE LIKE

[75] Inventor: William J. Williams, Shelbyville, Ind.

[73] Assignee: Williams Industries, Inc., Shelbyville, Ind.

[**] Term: 14 Years

[21] Appl. No.: 500,185

[22] Filed: Jun. 1, 1983

[52] U.S. Cl. D7/17; D7/79; D7/84

[58] Field of Search D7/16, 3, 17, 18, 52, D7/77, 78, 79, 84, 76; D9/341, 352, 454

[56] References Cited

U.S. PATENT DOCUMENTS

- D. 229,881 1/1974 Gillespie D7/84
- D. 242,835 12/1976 Loscalzo D7/17 X
- 3,563,404 2/1971 Barchus D7/84 X

OTHER PUBLICATIONS

Housewares Review, 8/1963, p. 67, Item #1, top left Porcelain-Aluminum Casseroles, Casserole at bottom left.

Hall Service China, Cat. #SM-373, p. 5, top left-round Unhandled Casserole #63.

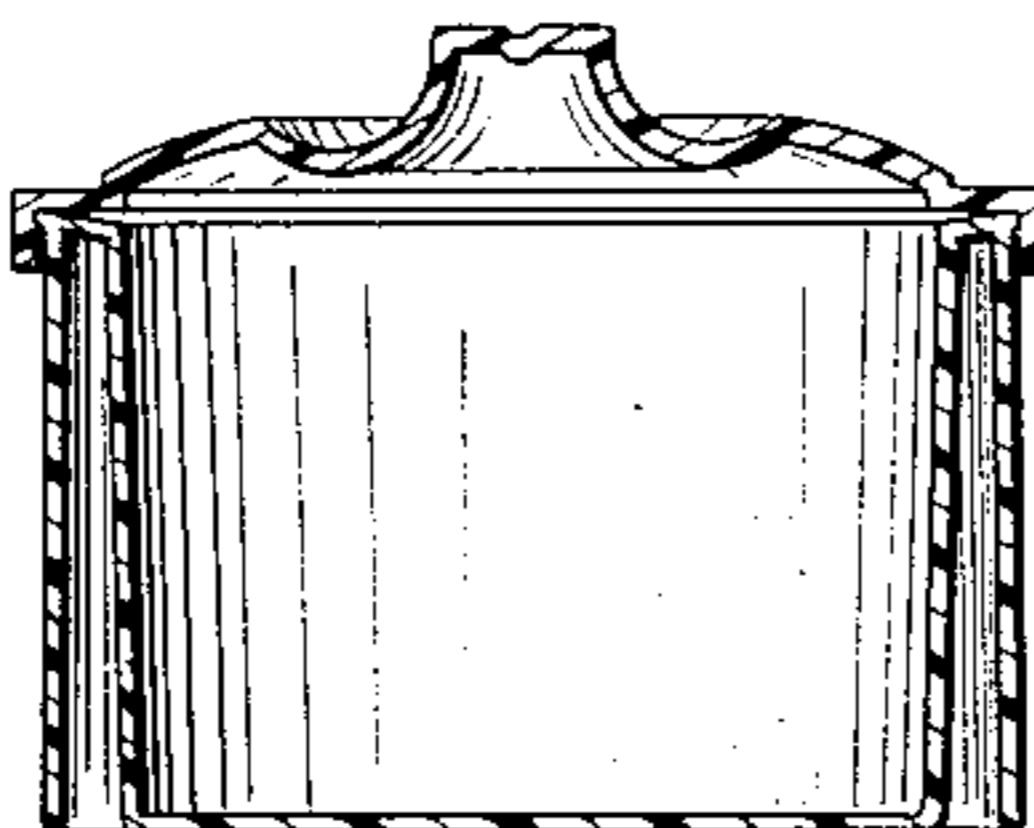
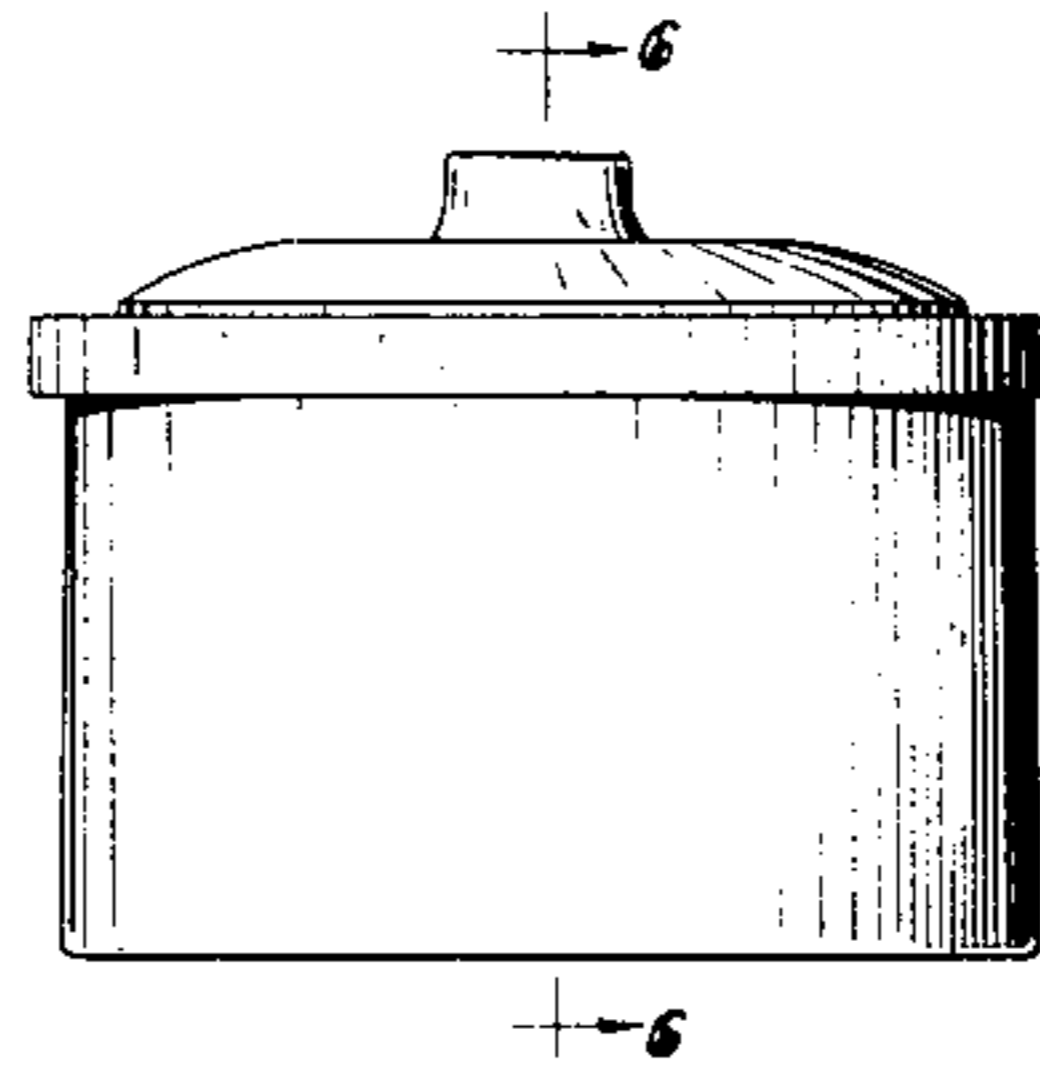
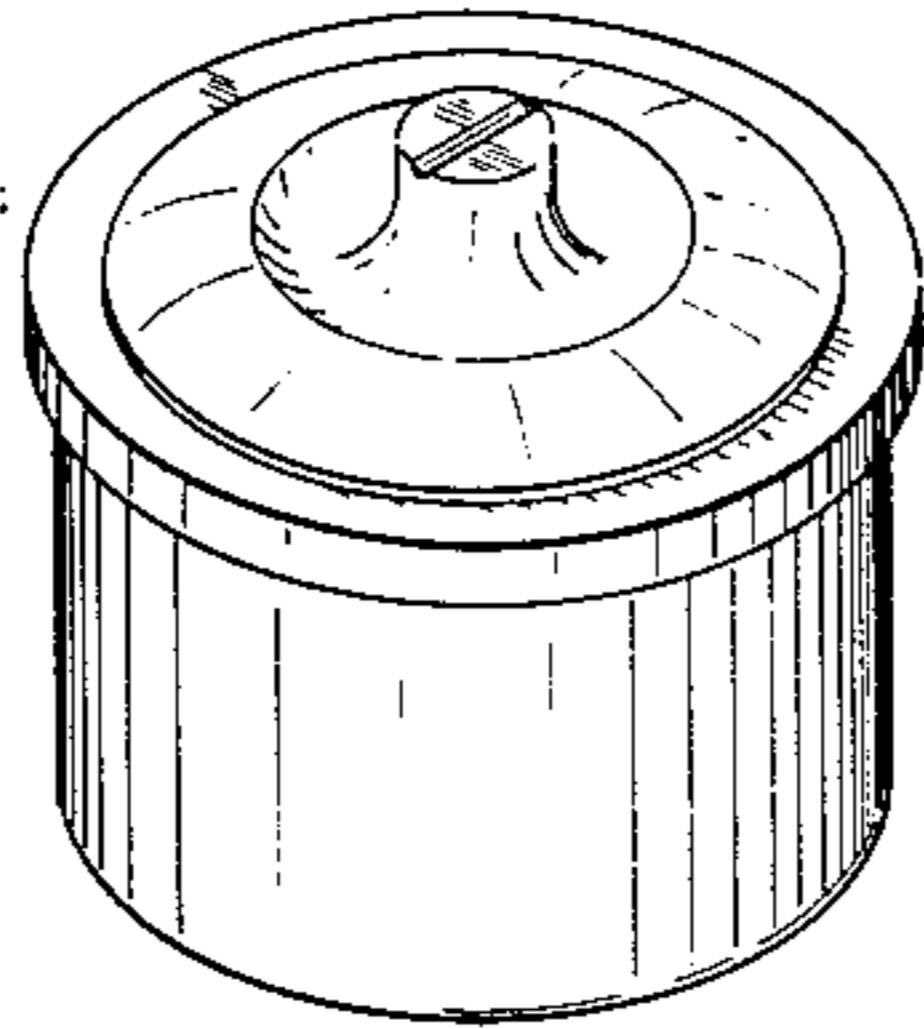
Primary Examiner—Winifred E. Herrmann
Attorney, Agent, or Firm—Barnes & Thornburg

[57] CLAIM

The ornamental design for a covered crock for foods or the like, as shown and described.

DESCRIPTION

FIG. 1 is a perspective view of a covered crock for foods or the like showing my new design;
 FIG. 2 is a left or right side elevational view thereof;
 FIG. 3 is a front or rear elevational view thereof;
 FIG. 4 is a top plan view thereof;
 FIG. 5 is a bottom plan view thereof; and
 FIG. 6 is a transverse sectional view taken along the line 6—6 of FIG. 3.



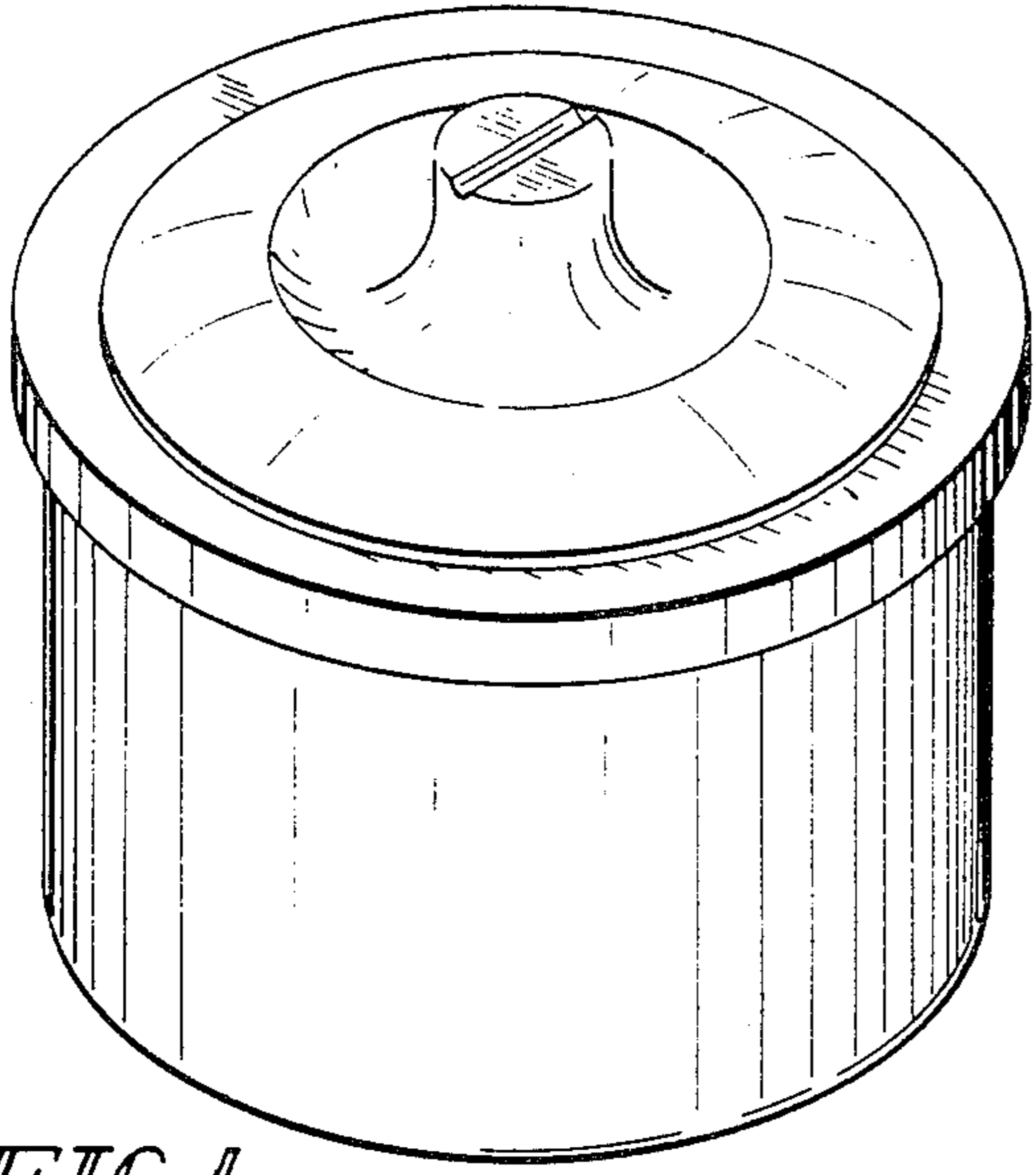


FIG. 1

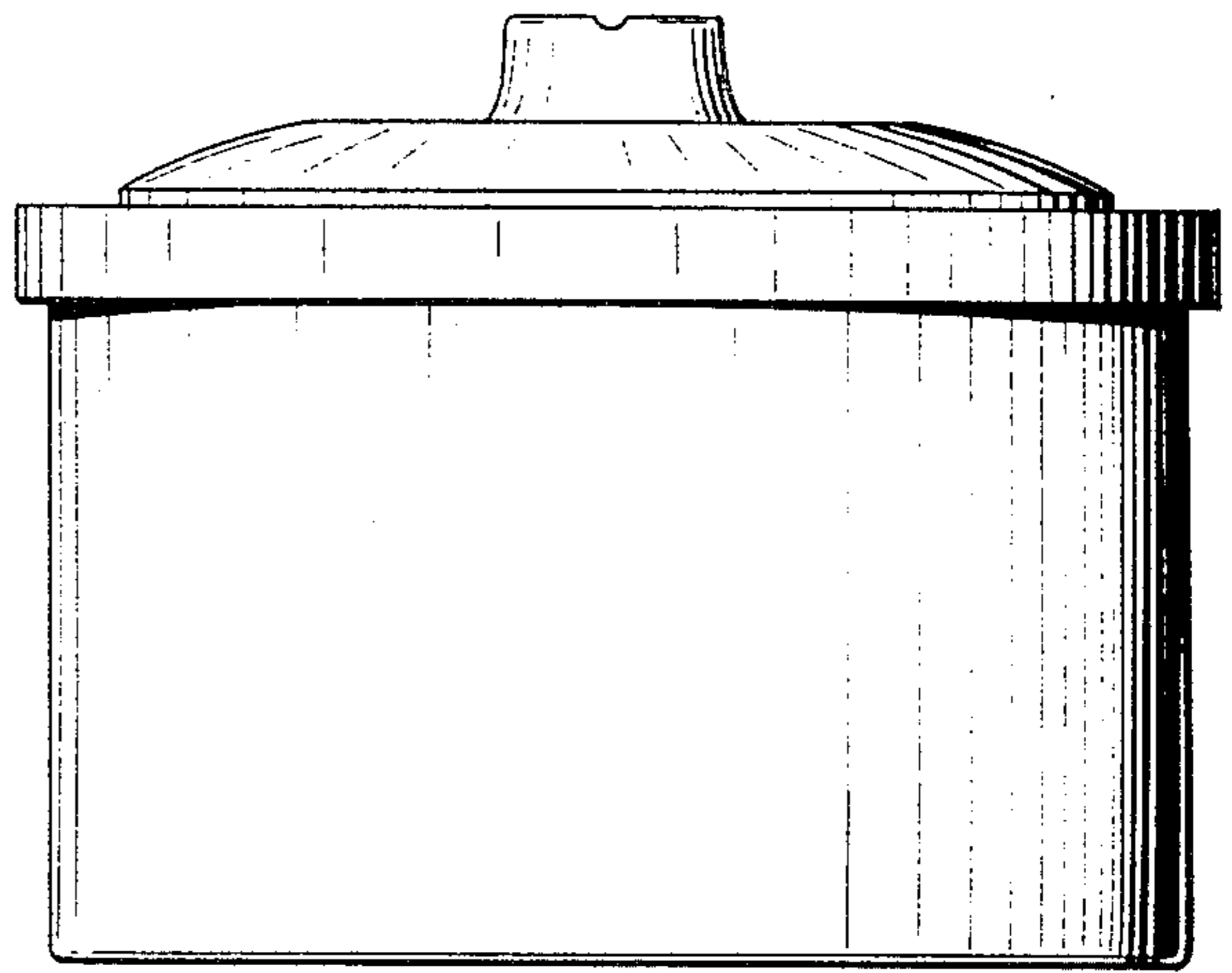


FIG. 2

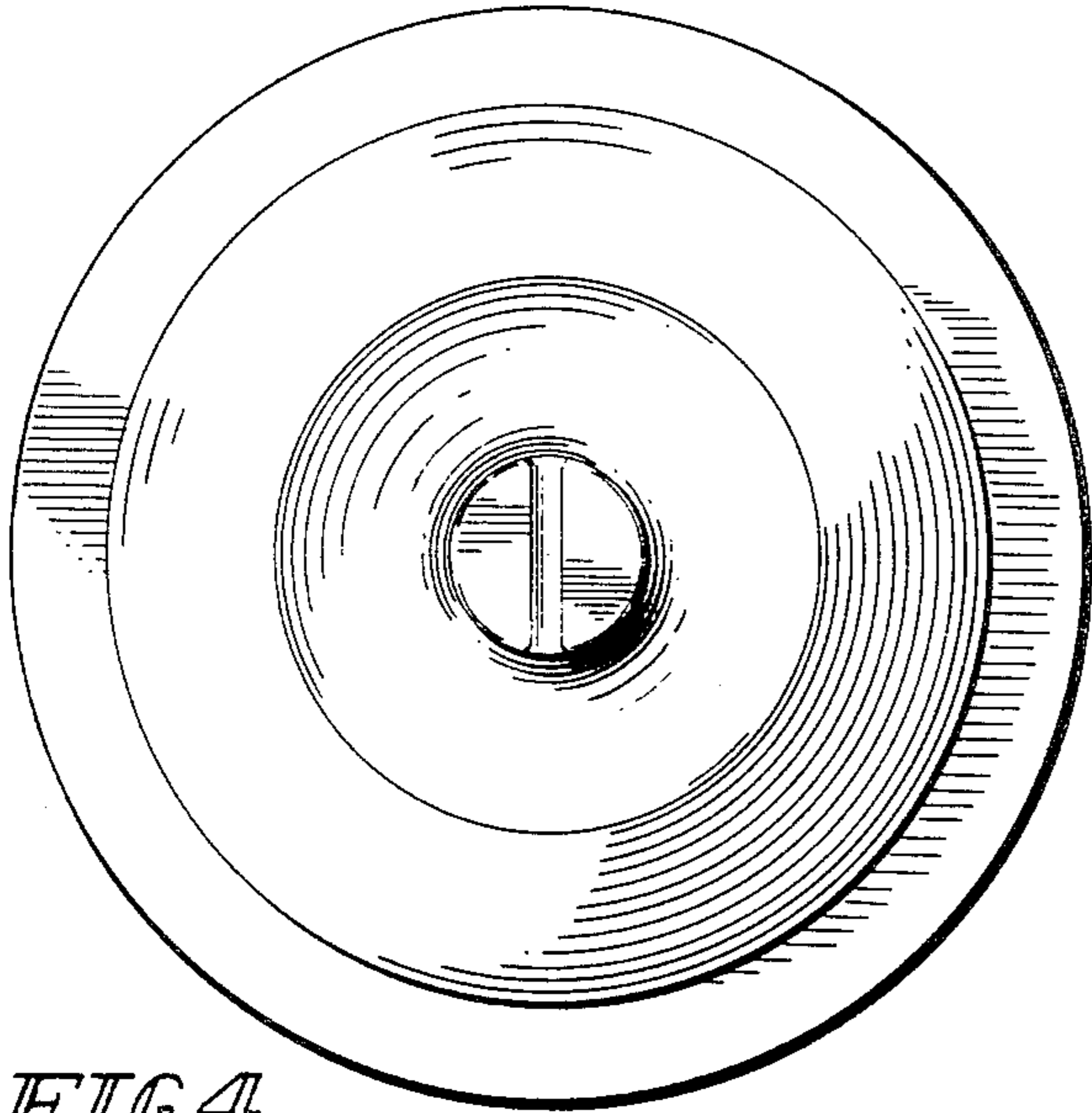


FIG. 4

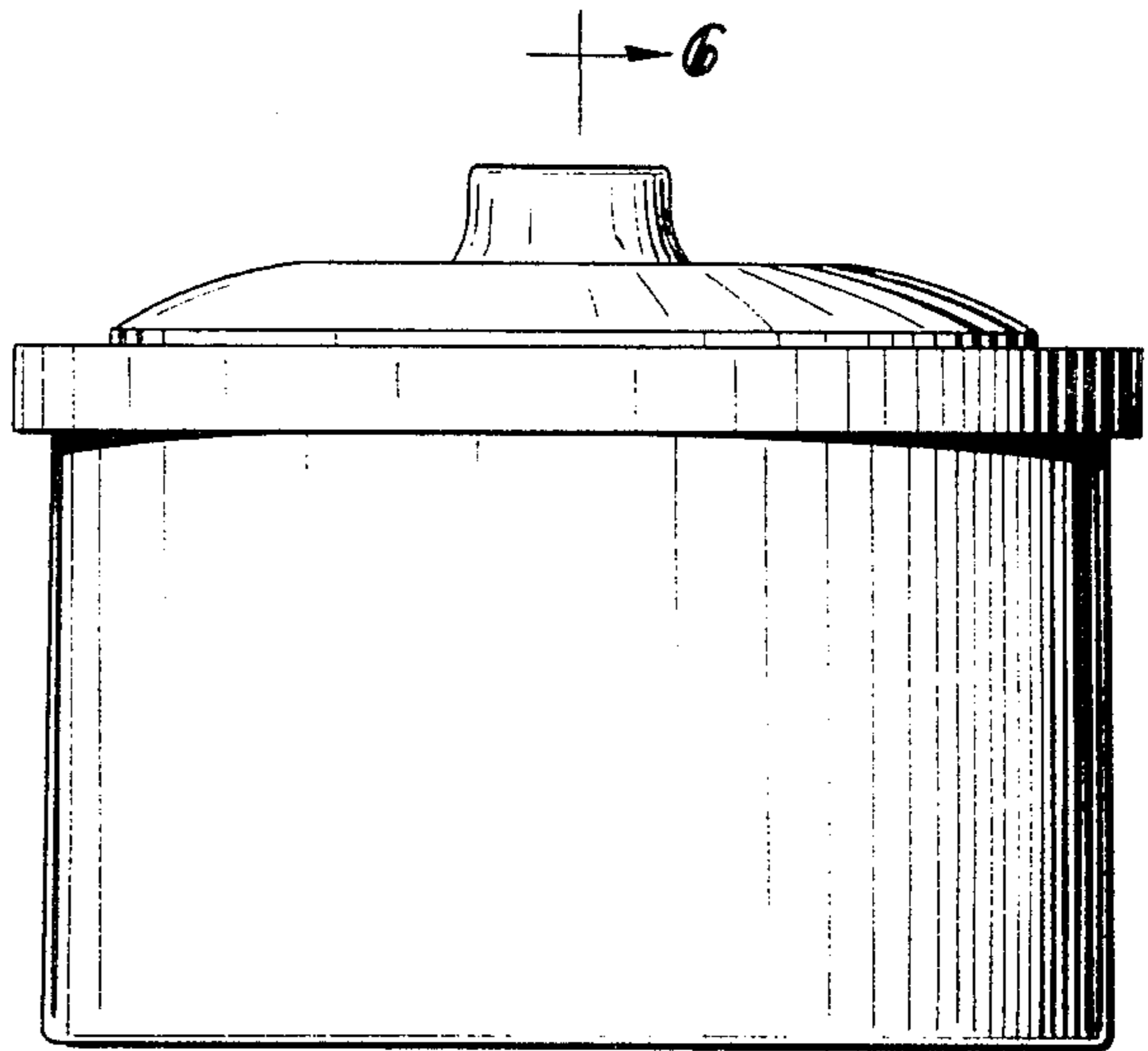


FIG. 3

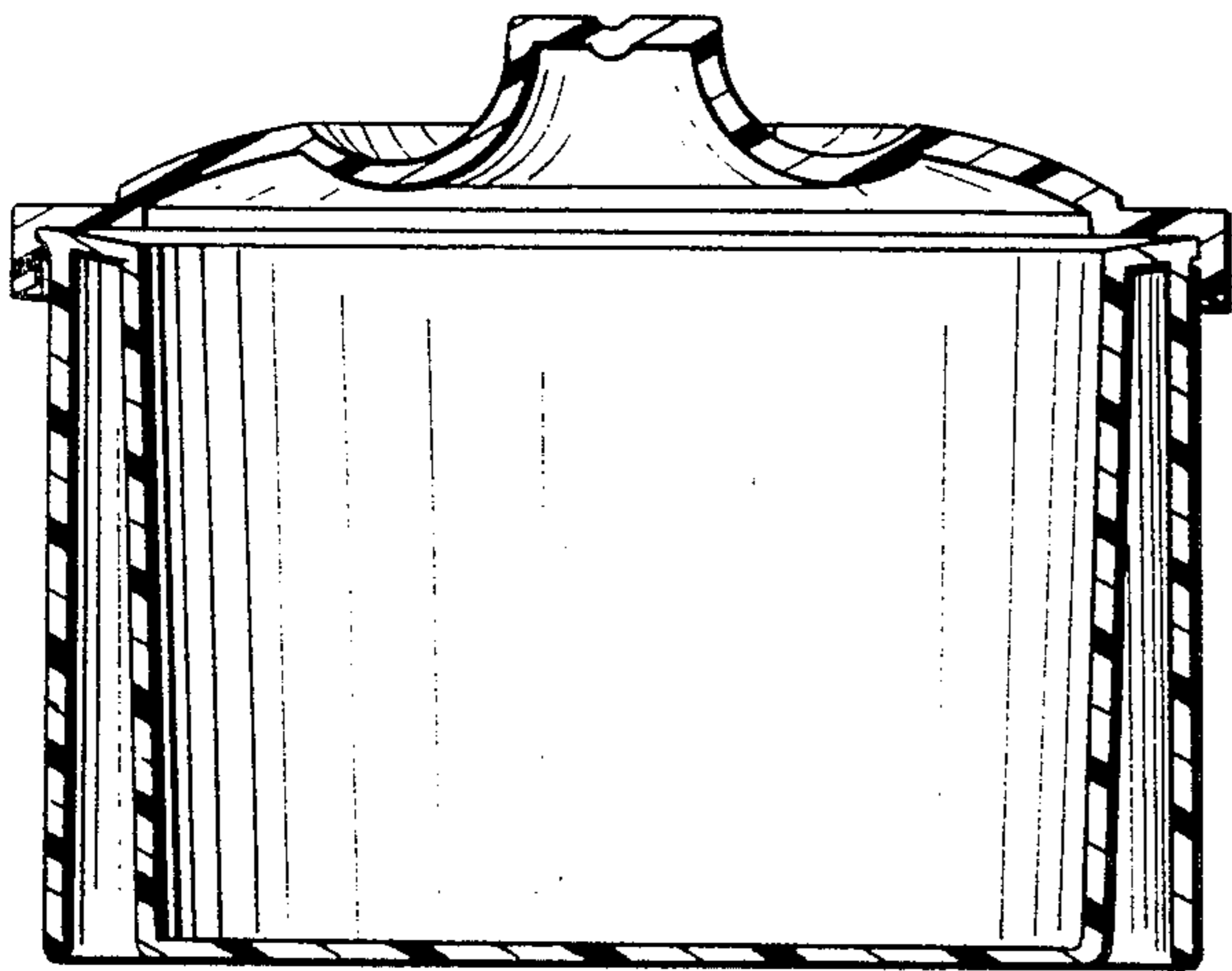


FIG. 6

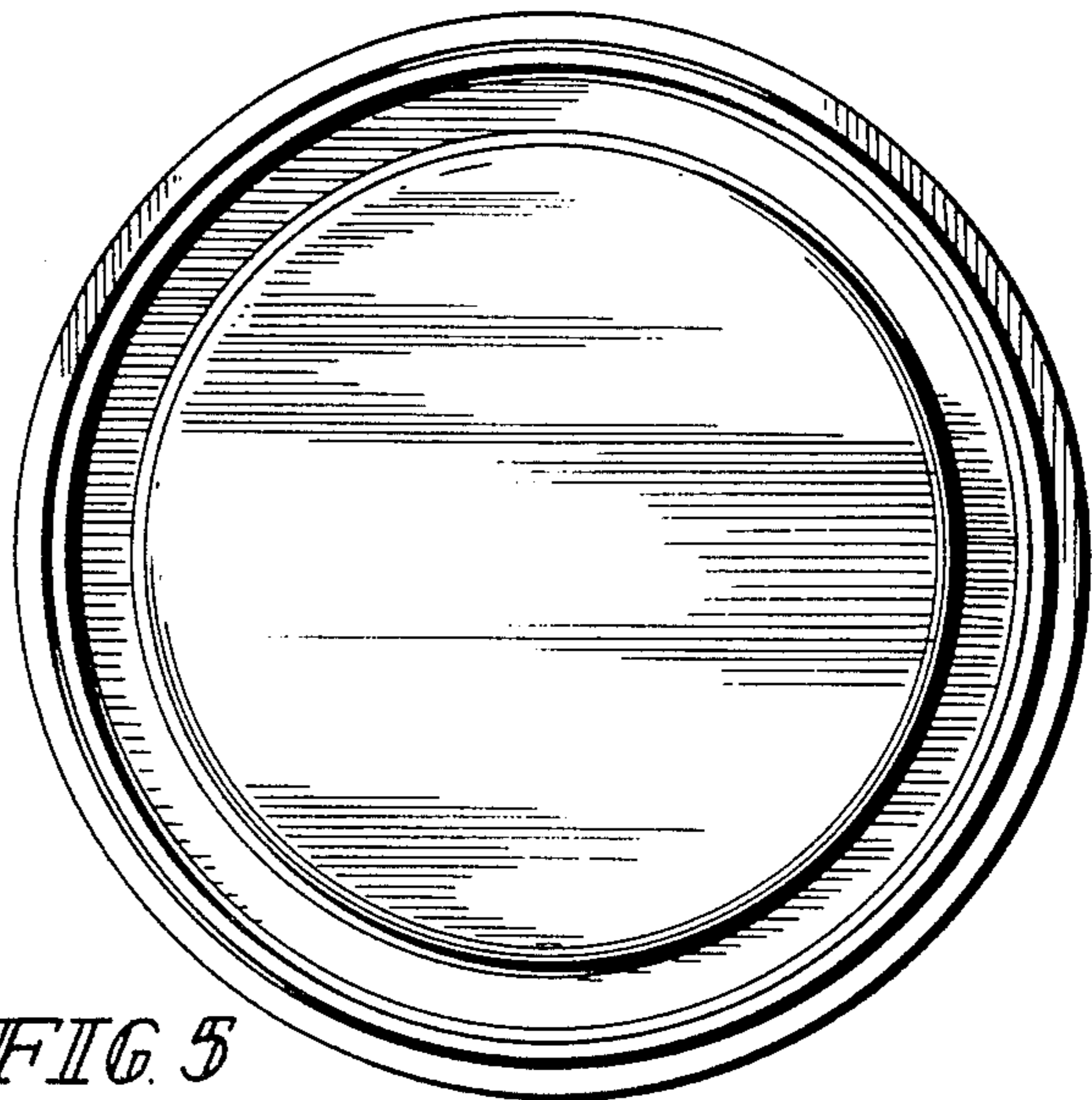


FIG. 5