

[54] STORAGE RACK

[75] Inventor: Fumitaka Kikutani, Tokyo, Japan

[73] Assignee: Sony Corporation, Tokyo, Japan

[**] Term: 14 Years

[21] Appl. No.: 479,870

[22] Filed: Mar. 29, 1983

[30] Foreign Application Priority Data

Oct. 4, 1982 [JP] Japan 57-45234

[52] U.S. Cl. D6/407; D6/467

[58] Field of Search D6/407, 408, 466, 467, D6/449; D3/35; 211/40-43; 312/9, 10, 11, 12

[56] References Cited

U.S. PATENT DOCUMENTS

- D. 260,197 8/1981 Long et al. D6/407
- D. 272,789 2/1984 Stoppino D3/35 X
- 877,832 1/1908 Cukier 211/40 X

- 887,631 5/1908 Hawthorne 312/10
- 2,422,594 6/1947 Stengren 312/10
- 2,825,465 3/1958 Burgo 211/40

FOREIGN PATENT DOCUMENTS

- 589902 7/1947 United Kingdom 211/41

Primary Examiner—Carmen H. Vales
Attorney, Agent, or Firm—Lewis H. Eslinger; Alvin Sinderbrand

[57] CLAIM

The ornamental design for a storage rack, as shown.

DESCRIPTION

FIG. 1 is a front elevational view of a storage rack showing my new design; FIG. 2 is a left-side elevational view thereof; FIG. 3 is a right-side elevational view thereof; FIG. 4 is a rear elevational view thereof; FIG. 5 is a top plan view thereof; FIG. 6 is a bottom plan view thereof; and FIG. 7 is a front perspective view thereof.

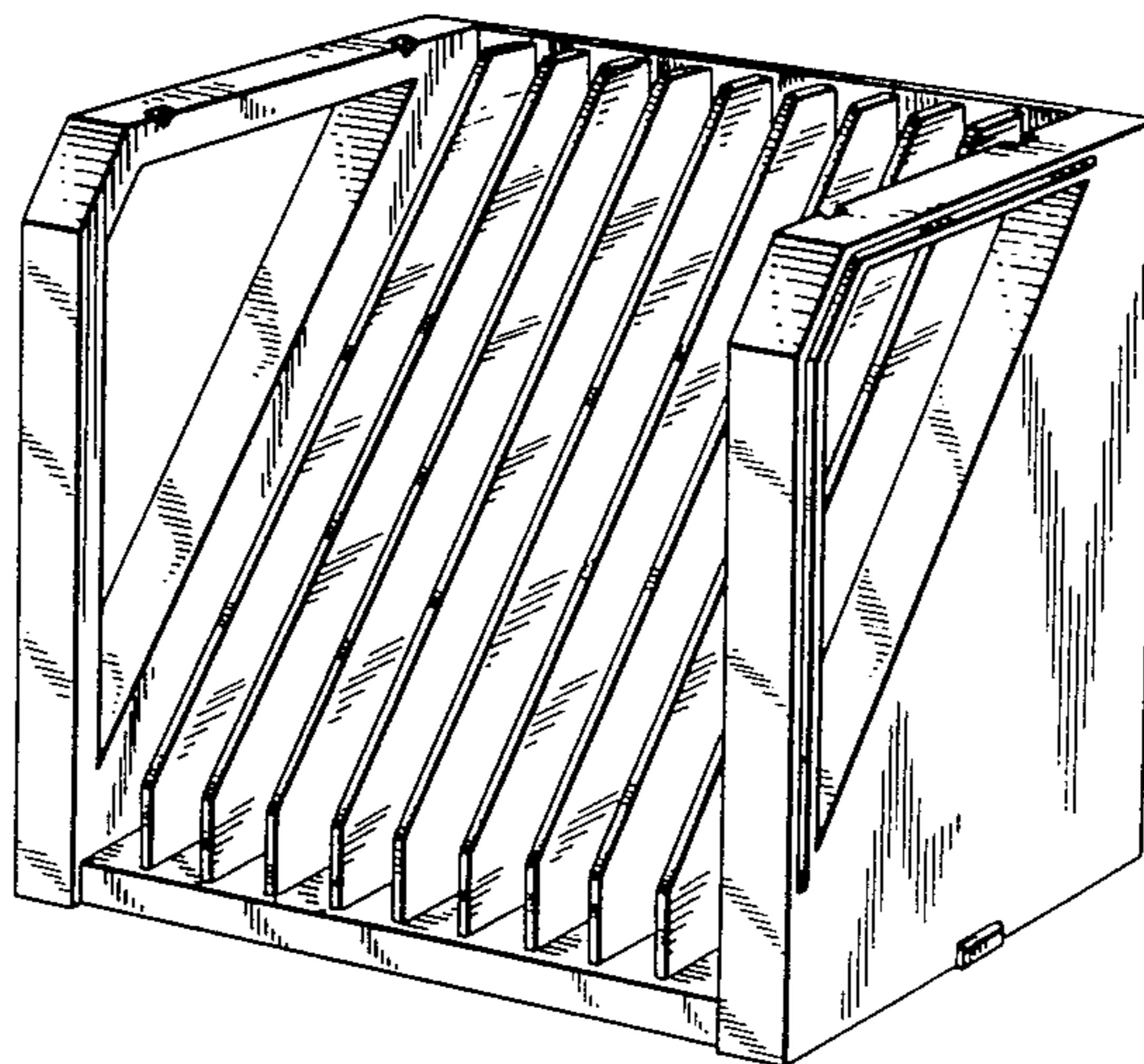


FIG. 1

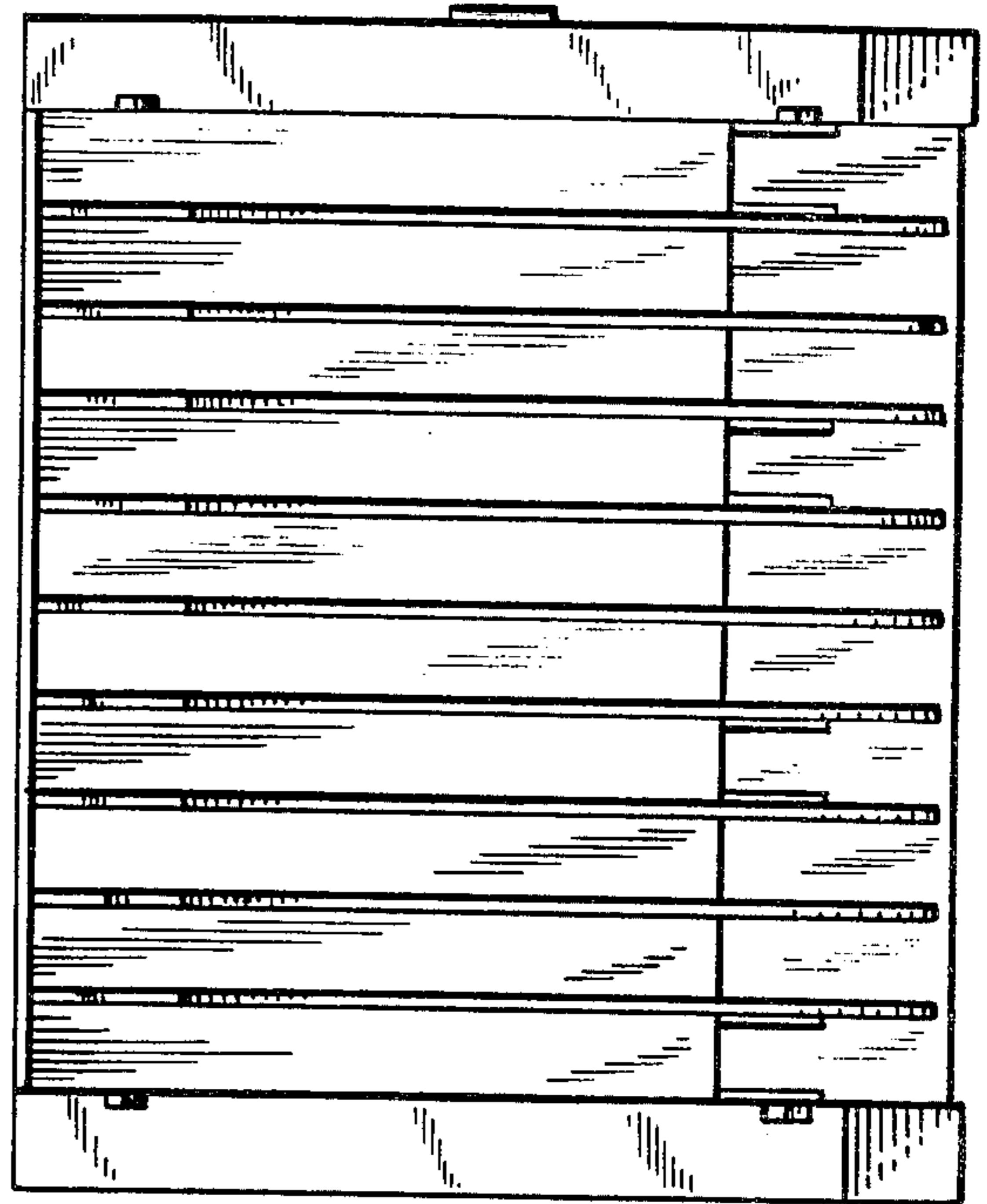
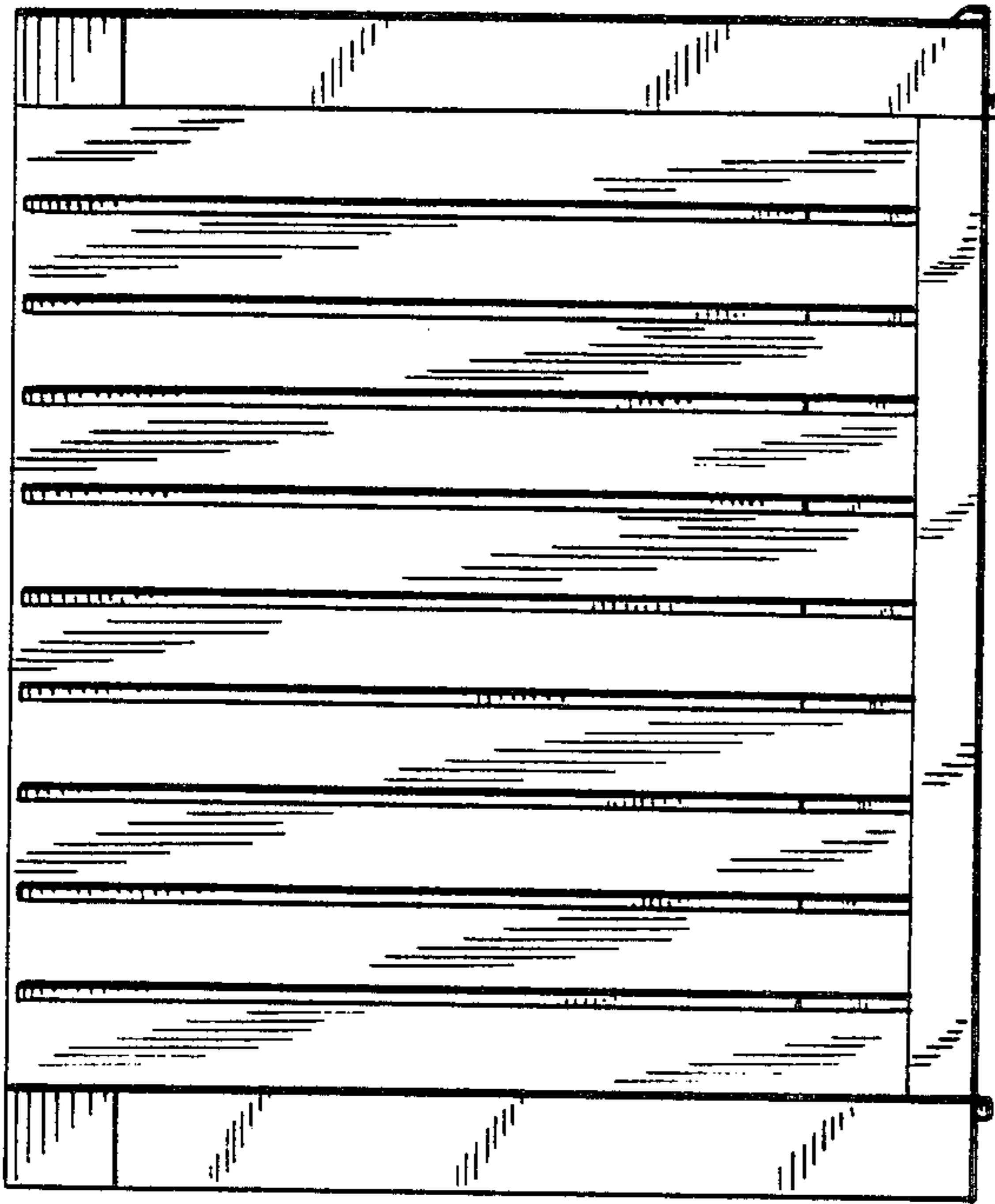


FIG. 5

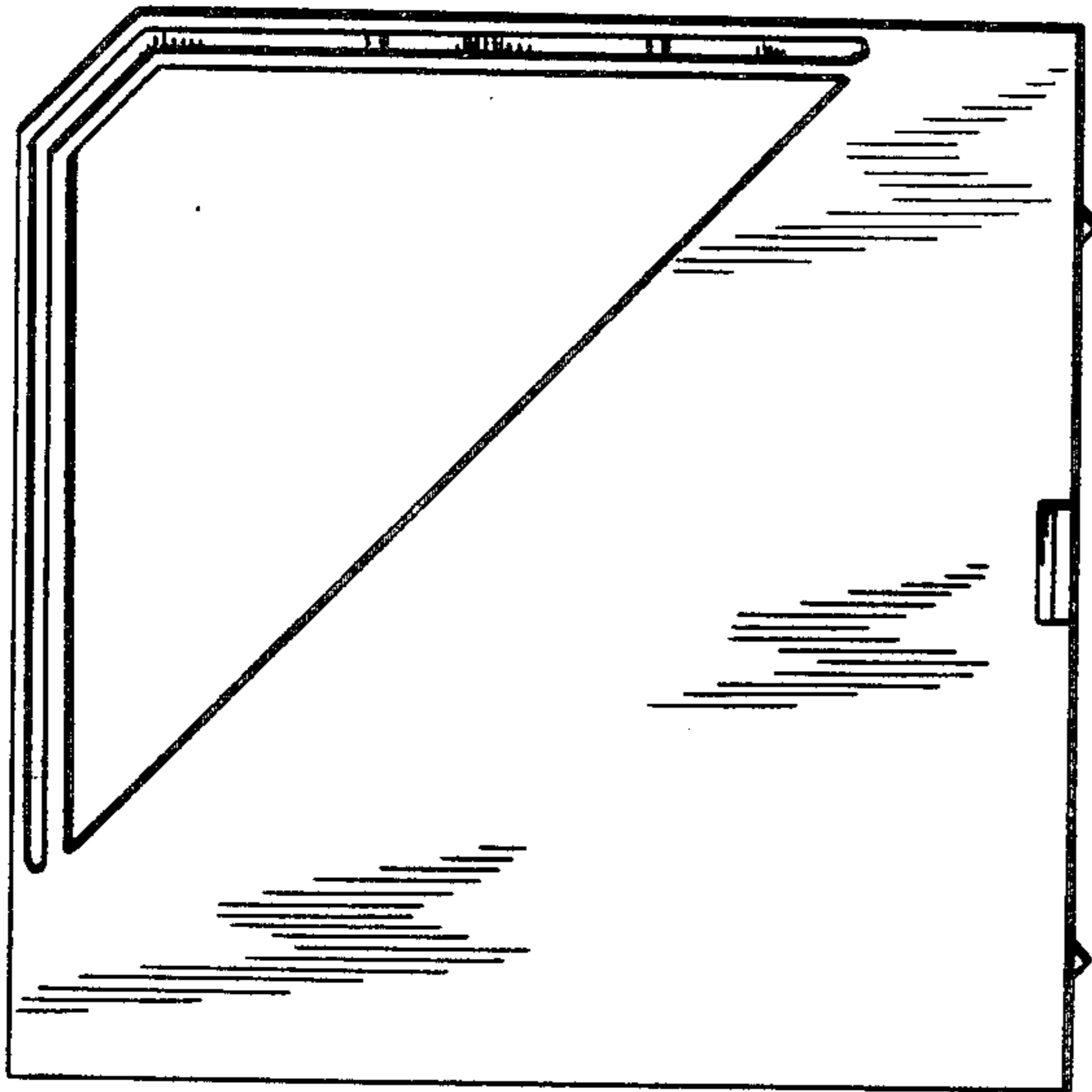


FIG. 2

FIG. 4

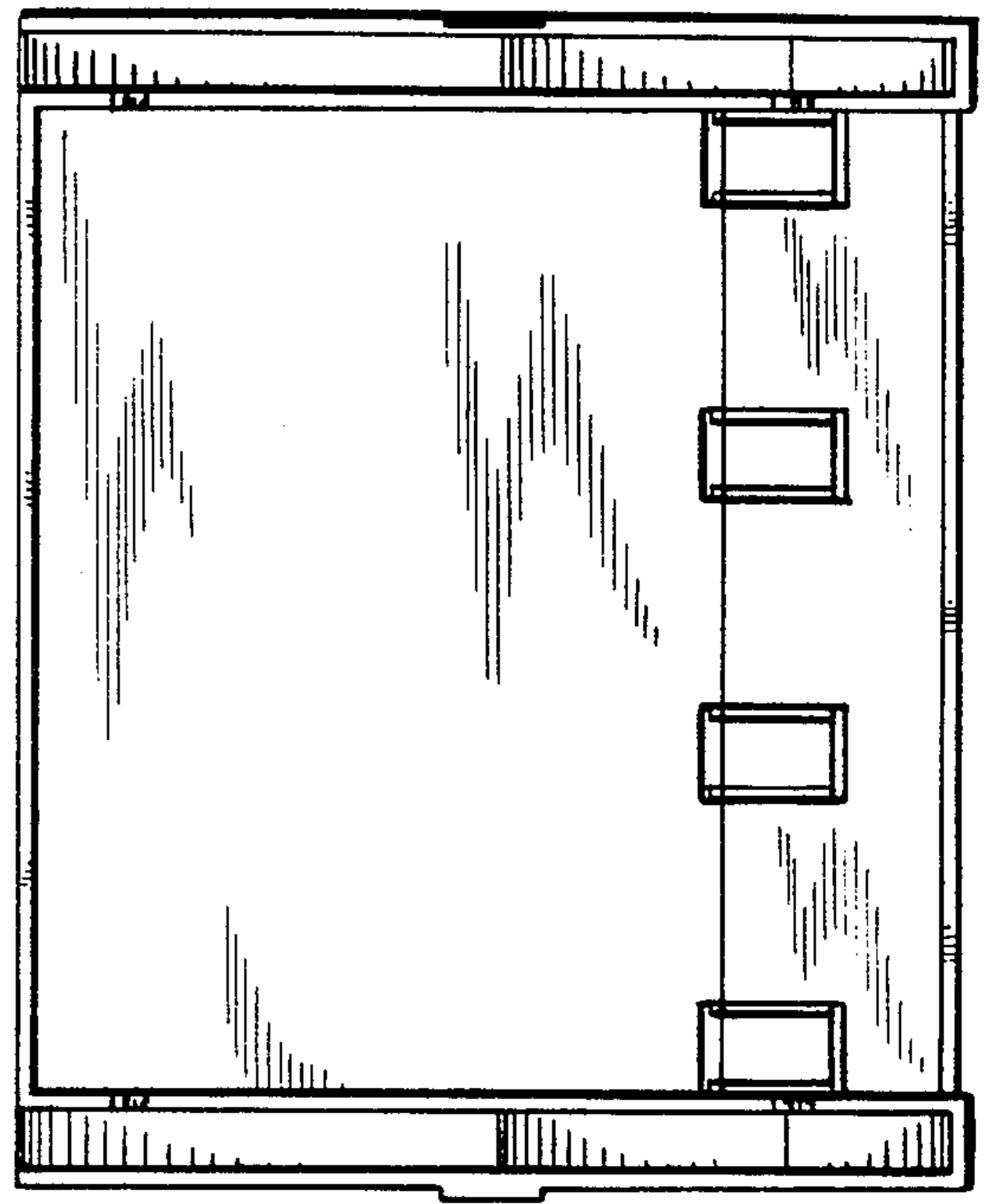
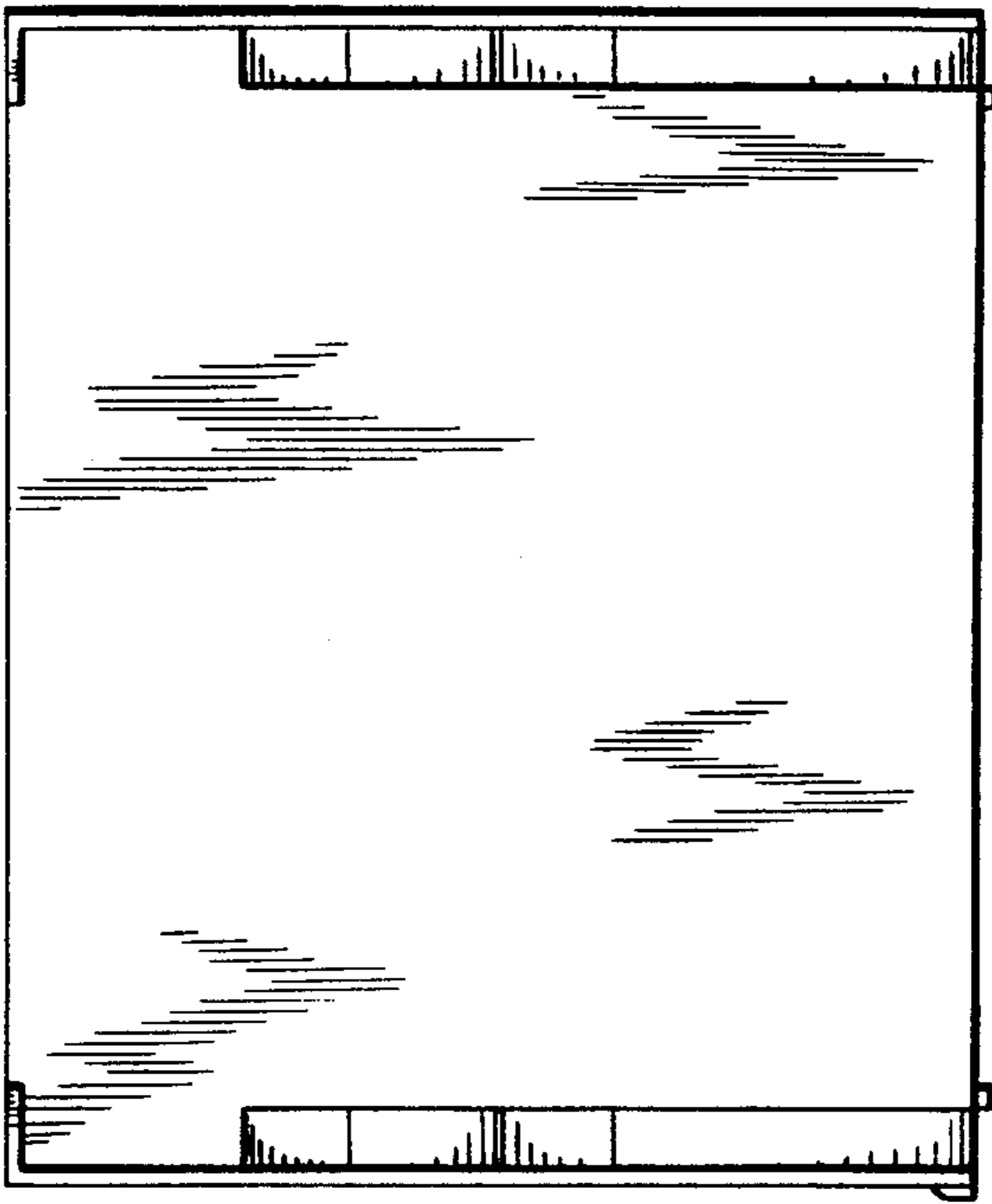


FIG. 6

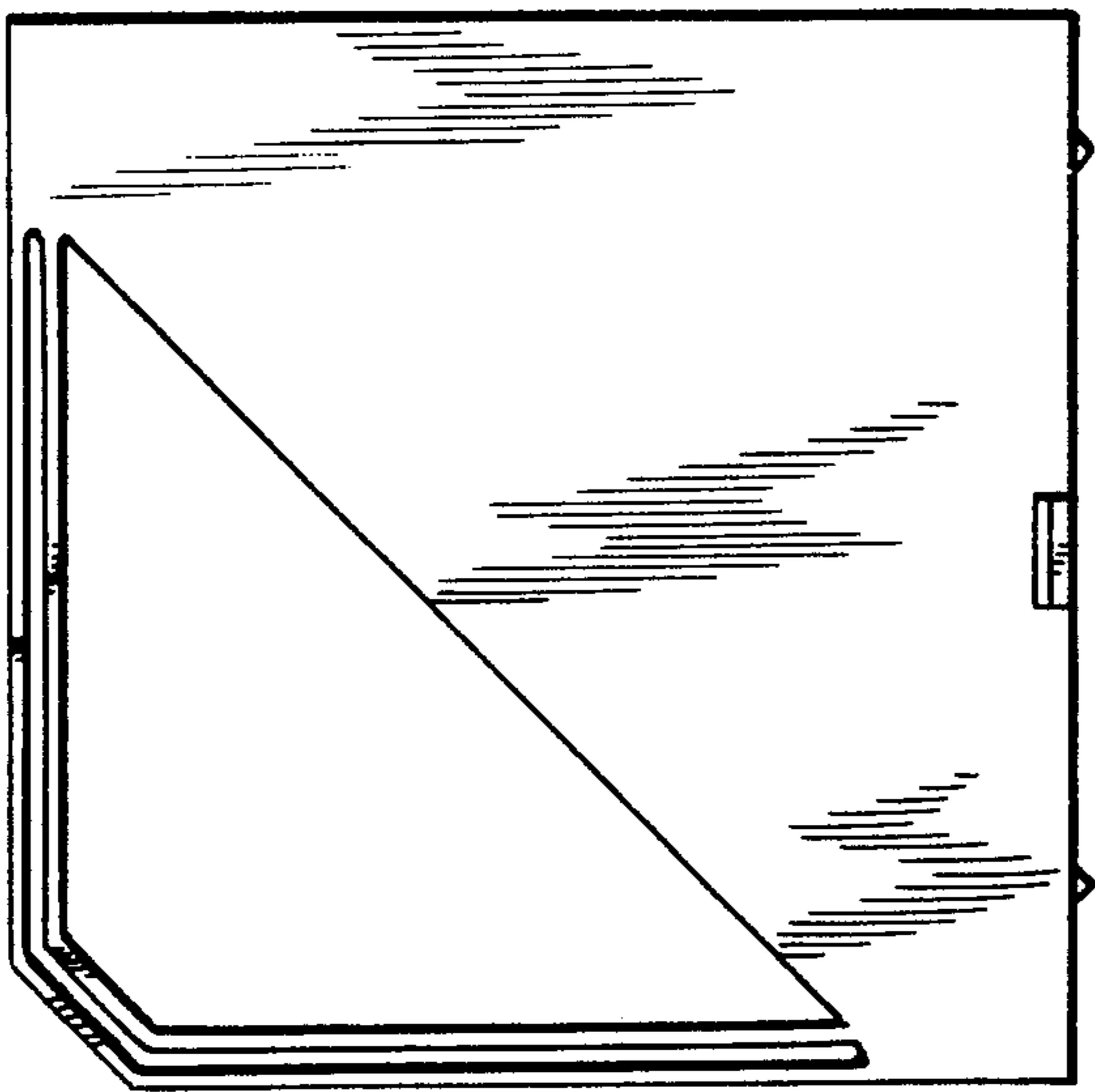


FIG. 3

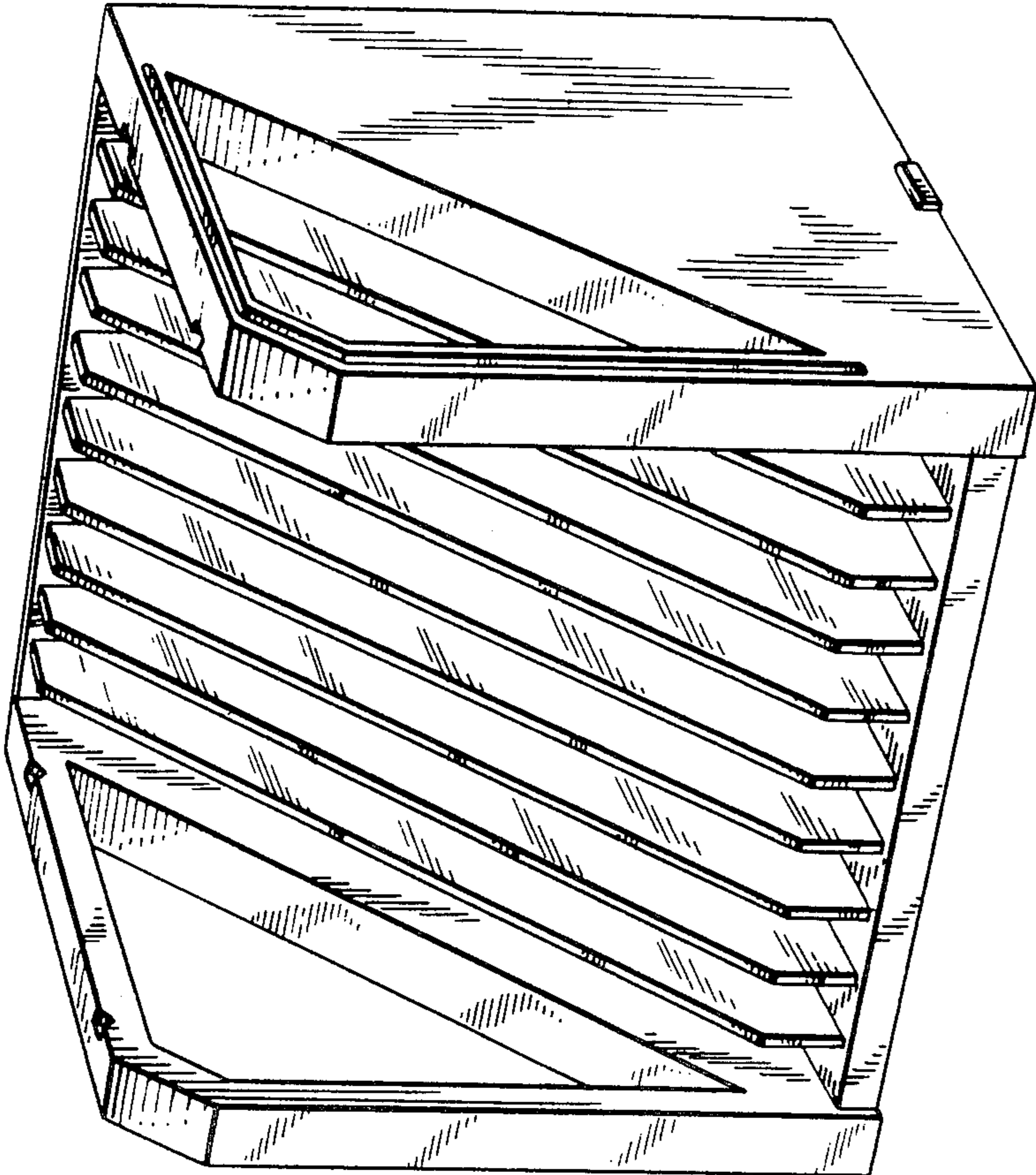


FIG. 7