

[54] CHAIR

[75] Inventor: Roland Carter, Lynchburg, Va.

[73] Assignee: Erwin-Lambeth, Inc., Thomasville, N.C.

[\*\*] Term: 14 Years

[21] Appl. No.: 483,107

[22] Filed: Apr. 8, 1983

[52] U.S. Cl. .... D6/334; D6/378

[58] Field of Search ..... D6/334, 371, 378, 379, D6/381

[56] References Cited

U.S. PATENT DOCUMENTS

- D. 262,421 12/1981 Aronowitz et al. .... D6/378 X
- D. 268,797 5/1983 Mascheroni ..... D6/371
- D. 268,970 5/1983 Mascheroni ..... D6/378
- D. 273,156 3/1984 Dubbin et al. .... D6/334

OTHER PUBLICATIONS

Interiors, Oct. 1976, p. 88 corner seat bottom right.  
Domus, Jul. 1970, p. 36, chair lower right center.

Primary Examiner—Bruce W. Dunkins  
Attorney, Agent, or Firm—Shefte, Pinckney & Sawyer

[57] CLAIM

The ornamental design for a chair, as shown and described.

DESCRIPTION

FIG. 1 is a perspective view of the chair design of the present invention;  
 FIG. 2 is a top view of the chair shown in FIG. 1;  
 FIG. 3 is a right side view of the chair shown in FIG. 1;  
 FIG. 4 is a front view of the chair shown in FIG. 1;  
 FIG. 5 is a back view of the chair shown in FIG. 1;  
 FIG. 6 is a perspective view of an alternate embodiment of the chair design of the present invention;  
 FIG. 7 is a top view of the chair shown in FIG. 6;  
 FIG. 8 is a right side view of the chair shown in FIG. 6;  
 FIG. 9 is a front view of the chair shown in FIG. 6; and  
 FIG. 10 is a back view of the chair shown in FIG. 6.

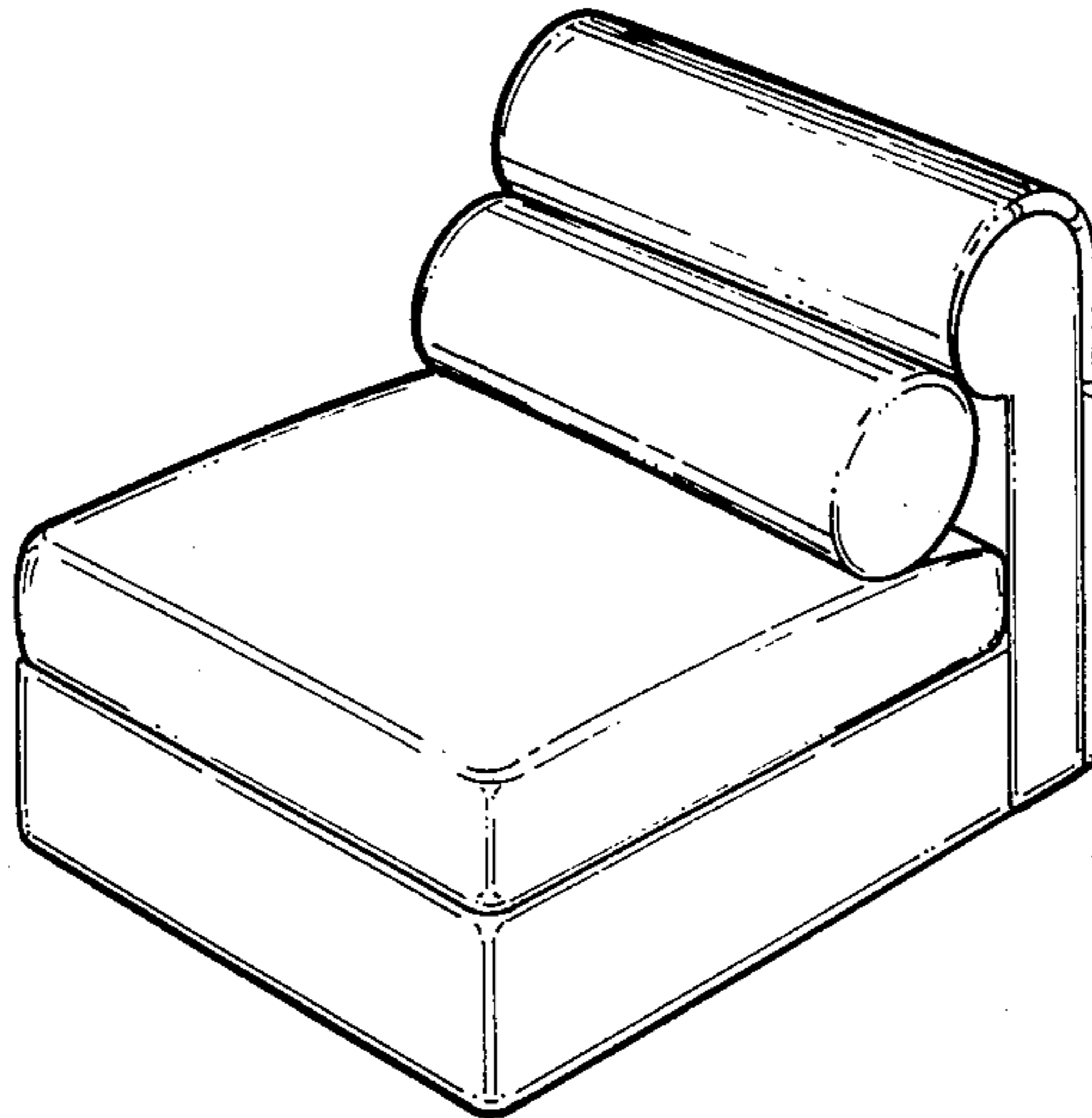


FIG. 1

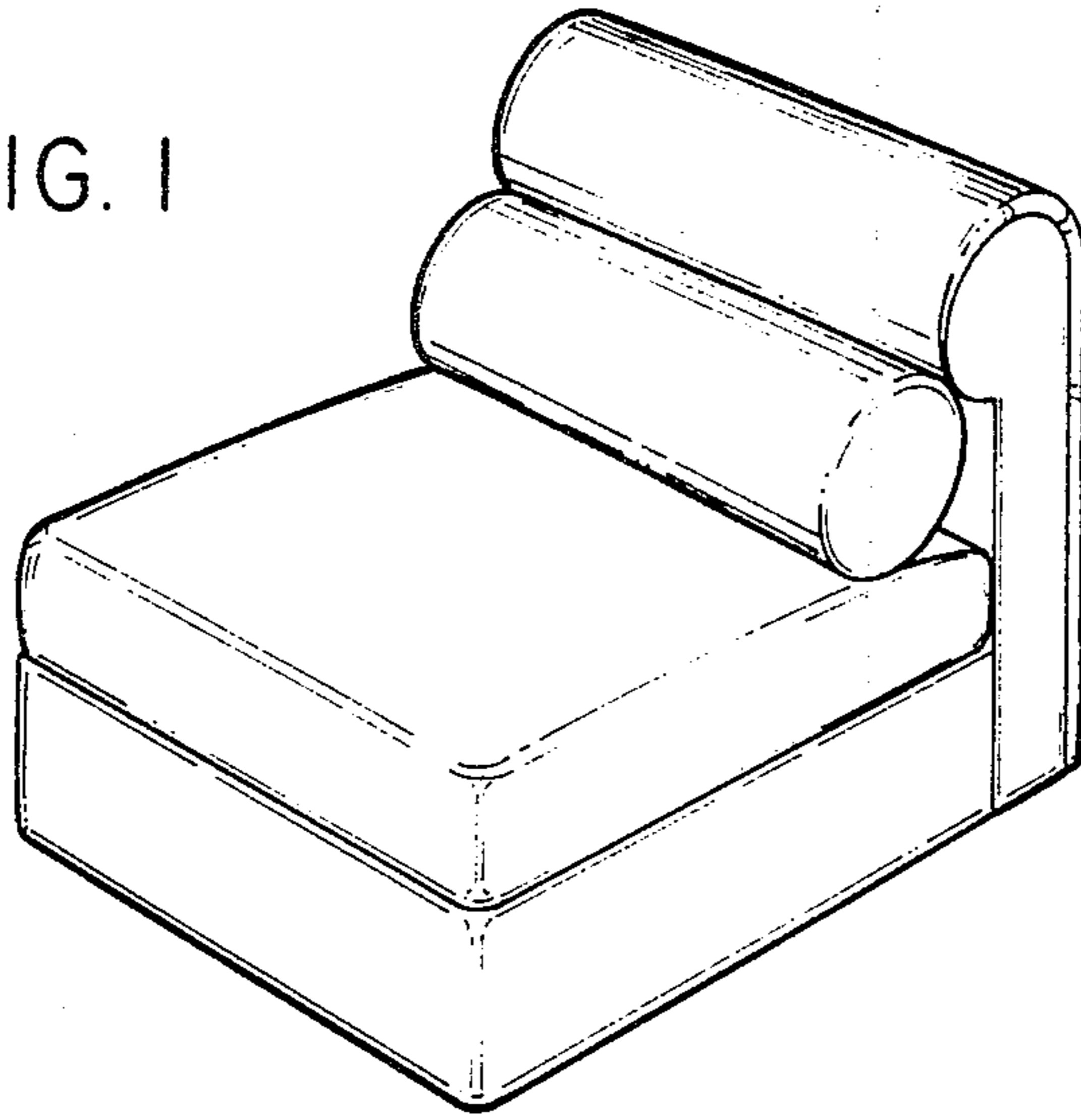


FIG. 5

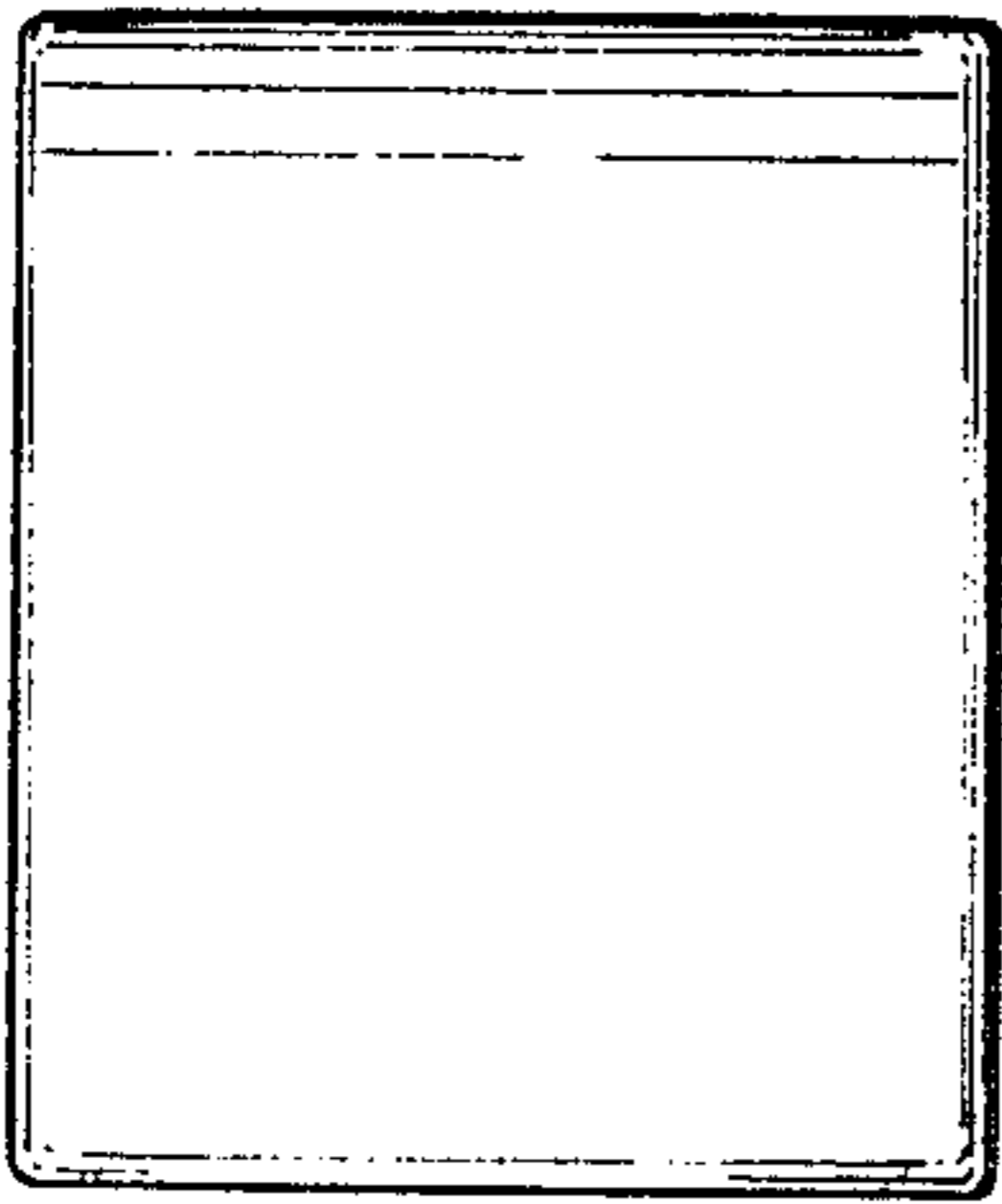


FIG. 2

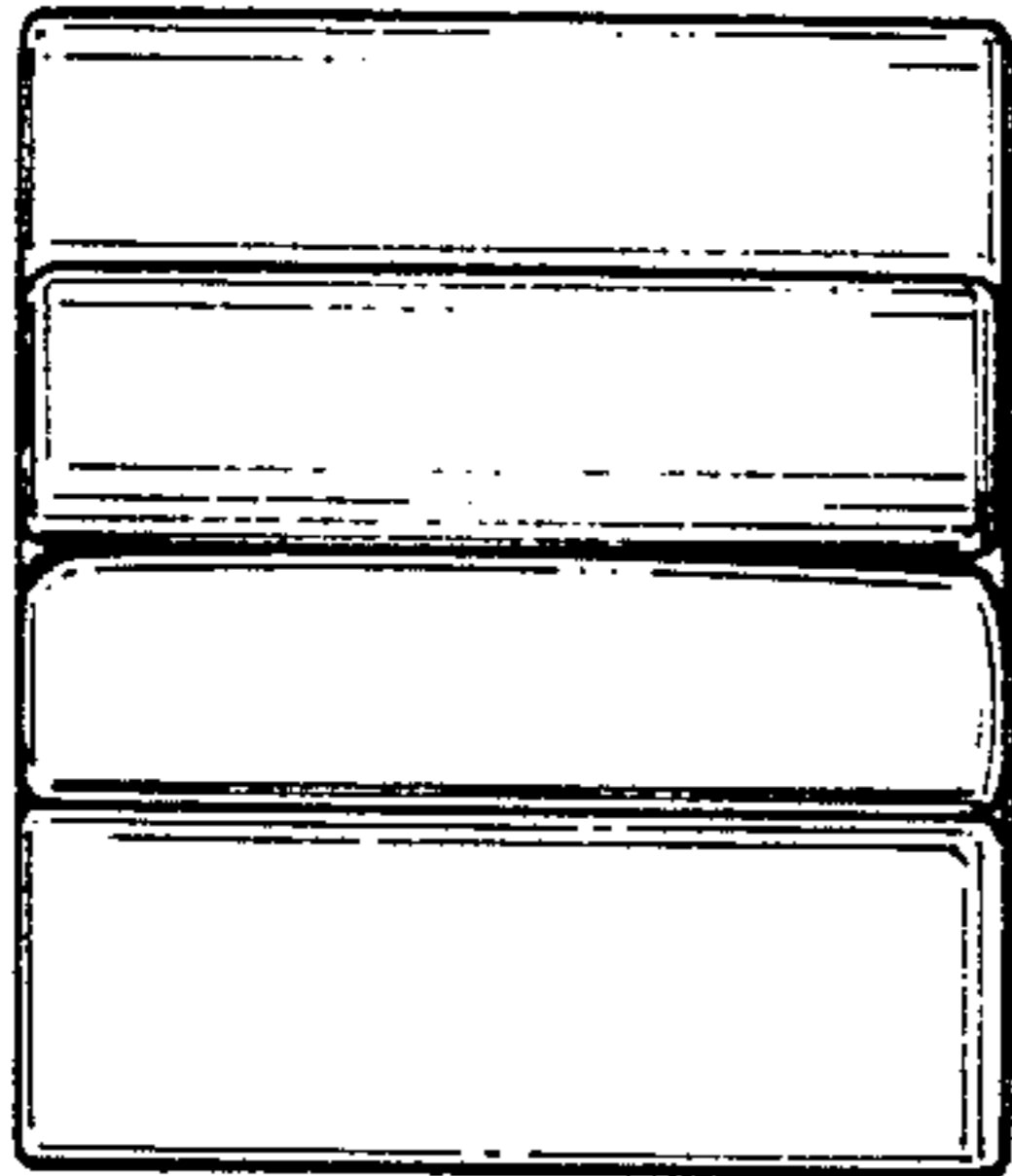
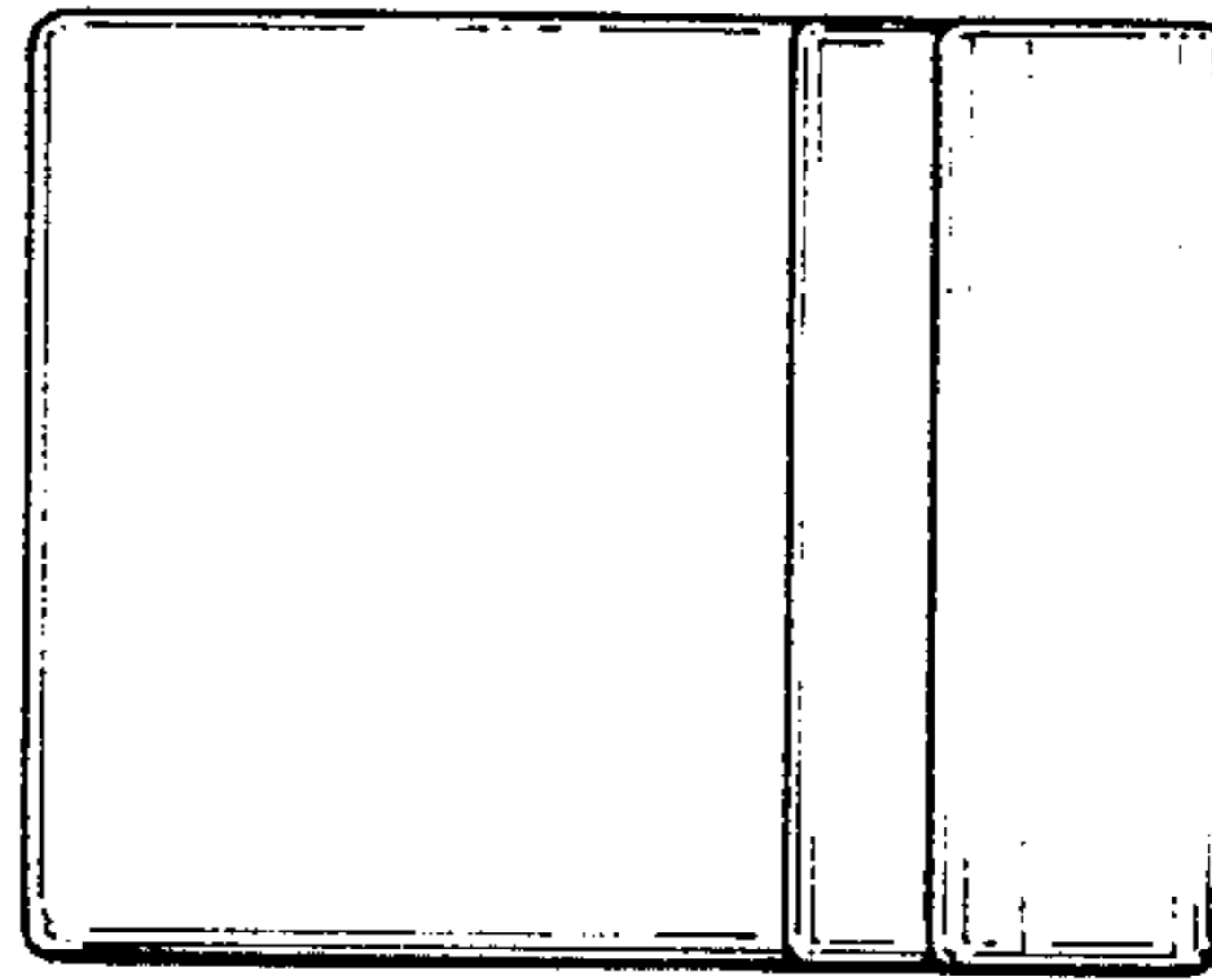


FIG. 4

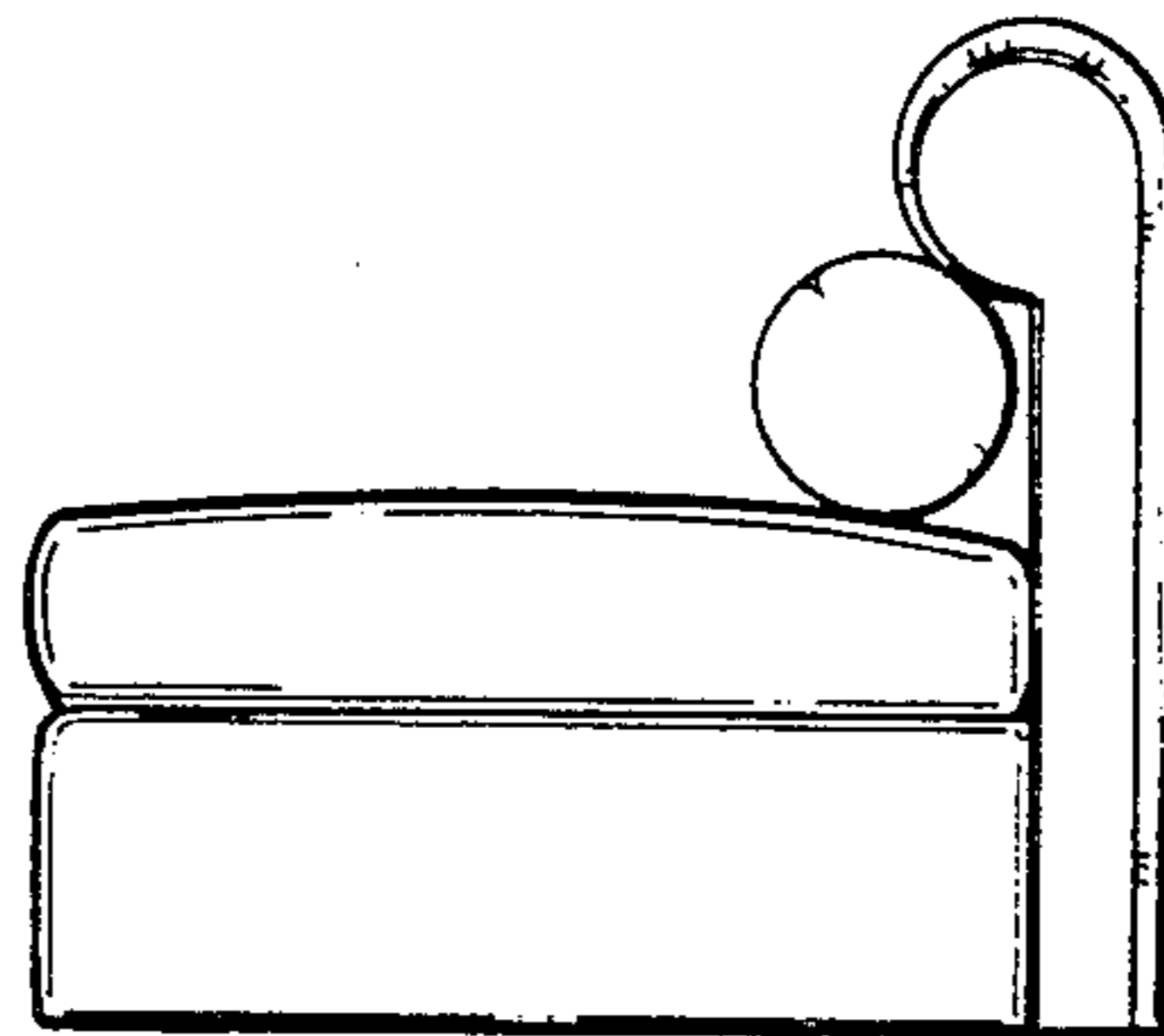


FIG. 3

FIG. 6

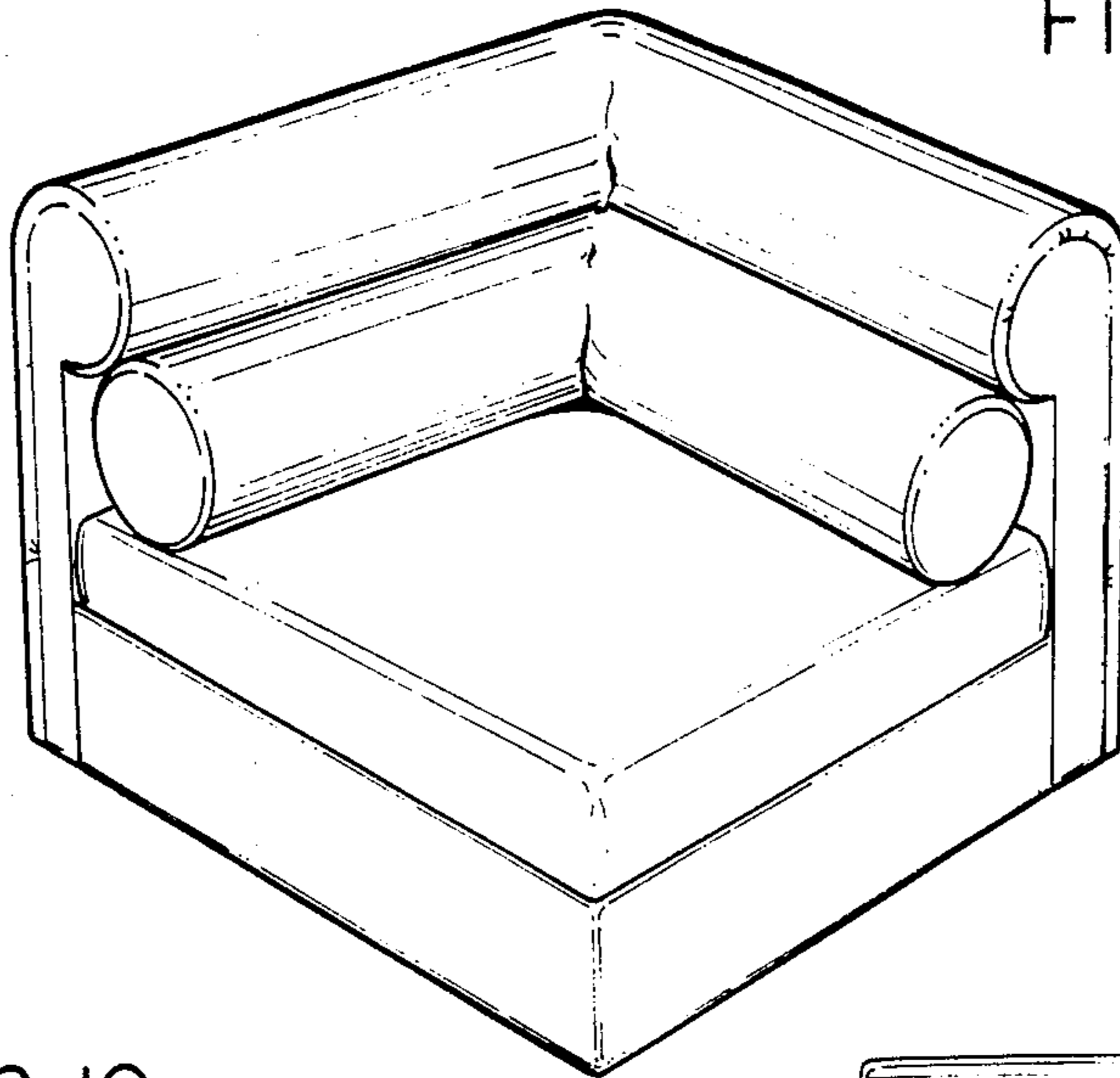


FIG. 7

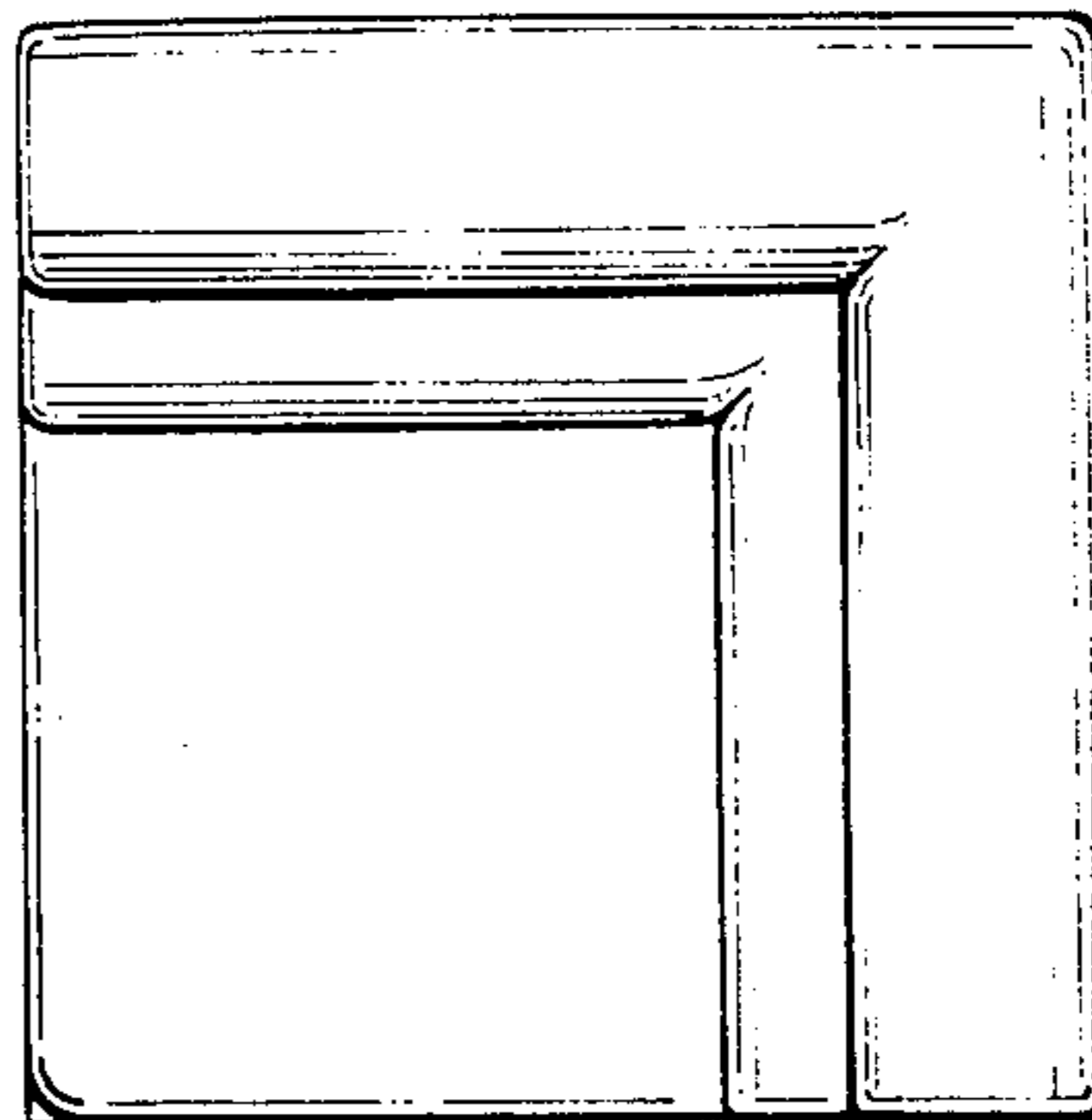


FIG. 10

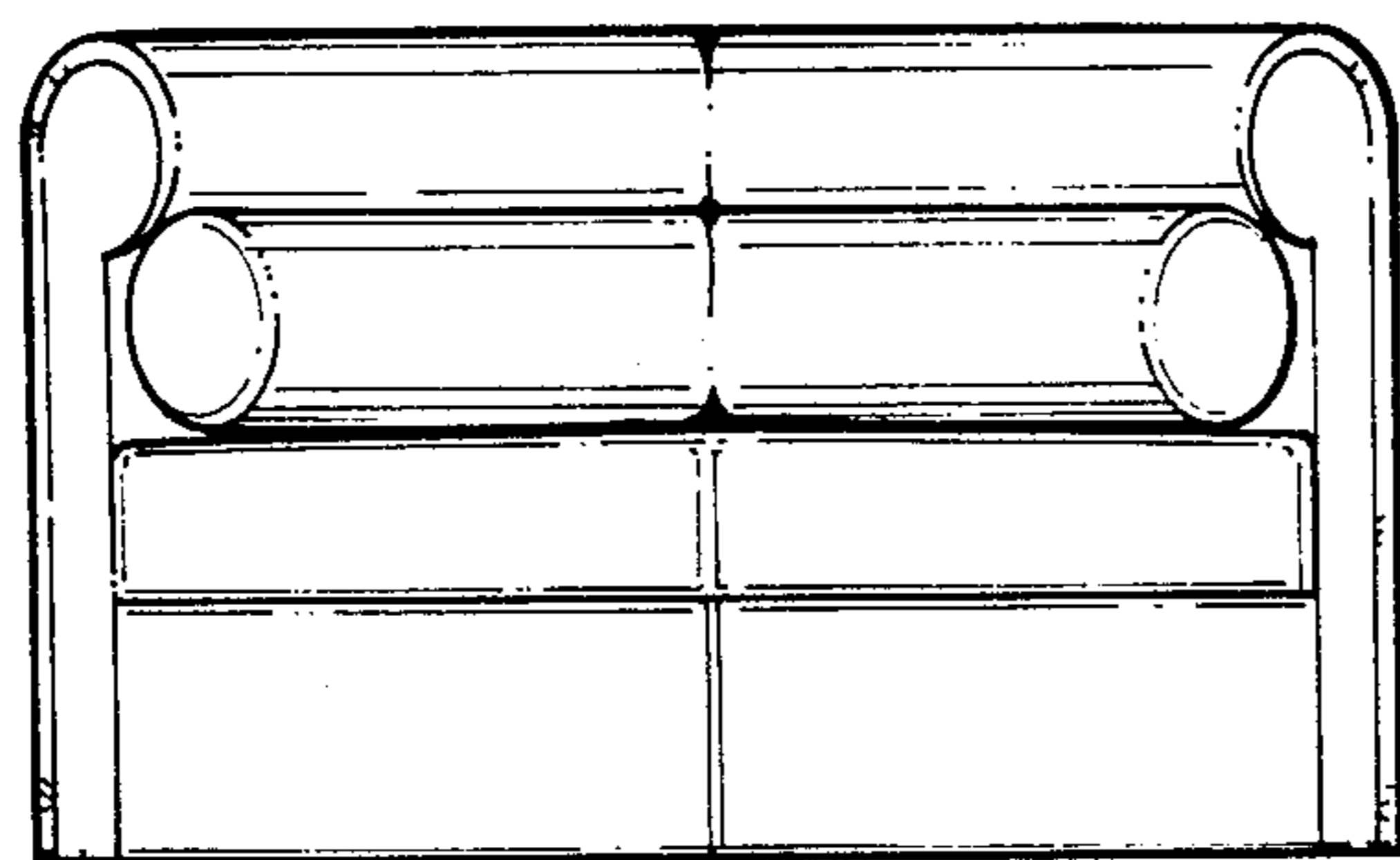
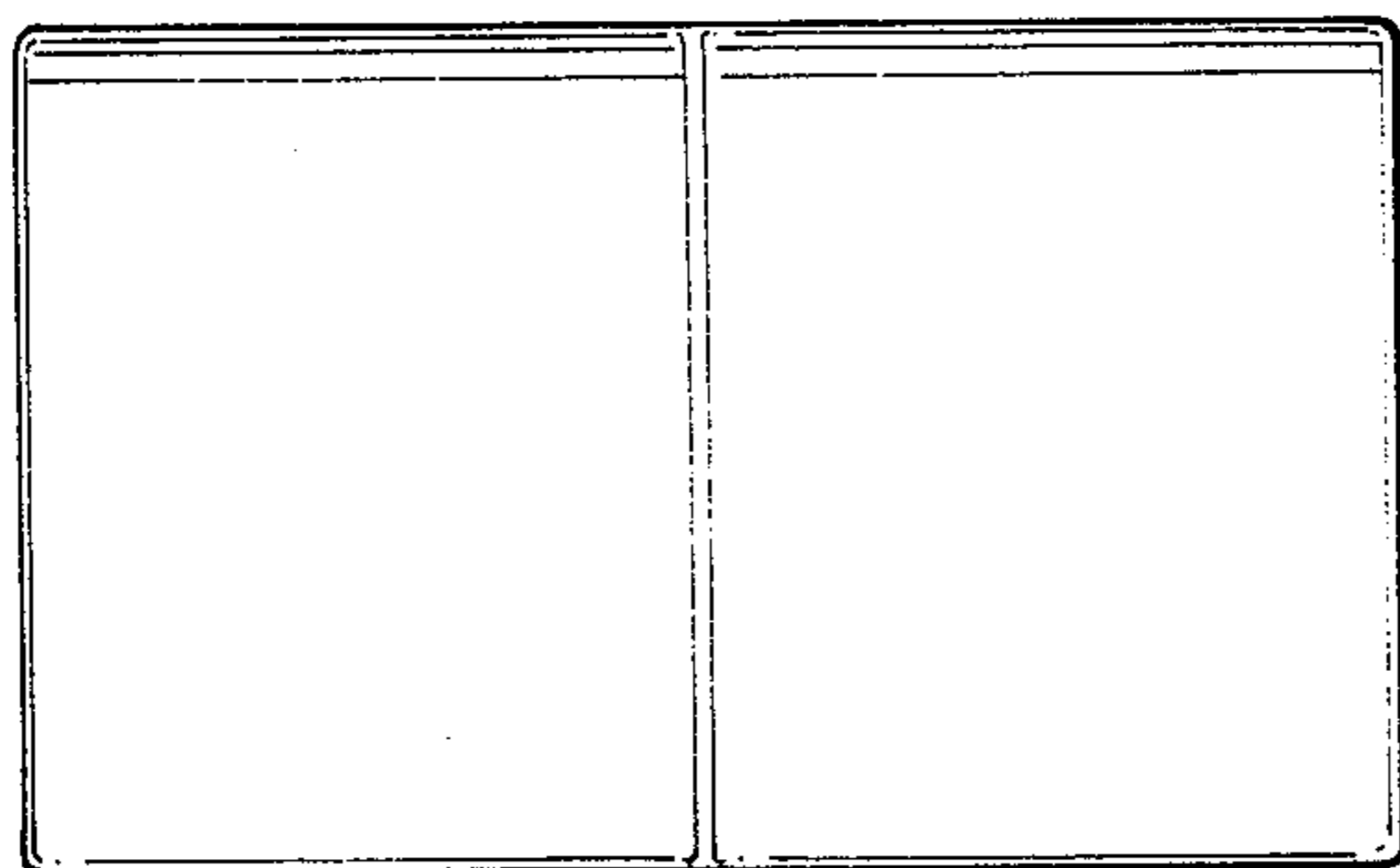


FIG. 9

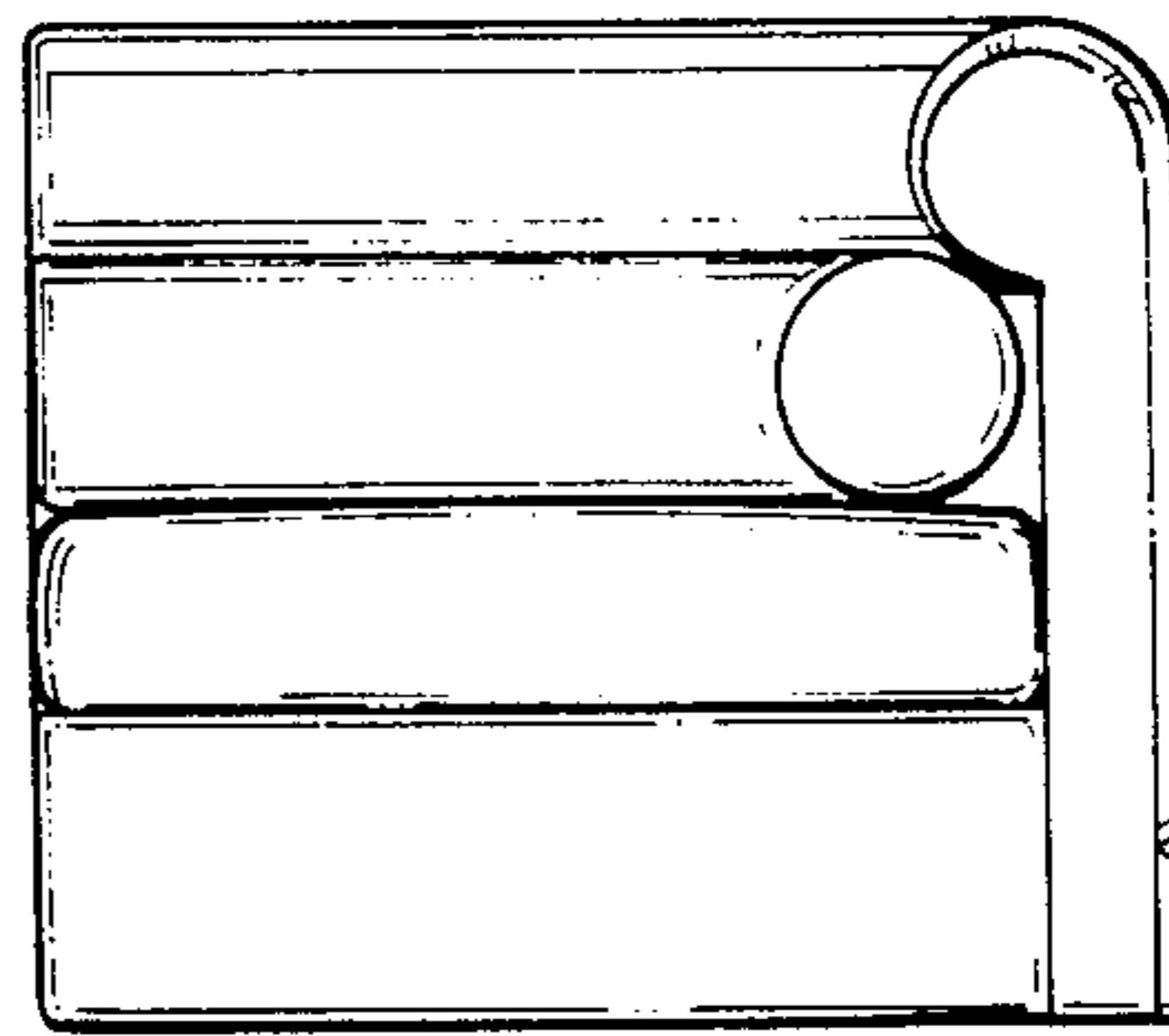


FIG. 8