

[54] DEVICE FOR REMOVING LINT FROM TEXTILE GOODS

[75] Inventors: Tommy Bladh, Bredaryd; Bill Hansson, Malmo, both of Sweden

[73] Assignee: Fastighets AB Leif Eriksson, Malmo, Sweden

[\*\*] Term: 14 Years

[21] Appl. No.: 438,914

[22] Filed: Nov. 3, 1982 (Under 37 CFR 1.47)

[30] Foreign Application Priority Data

May 5, 1982 [SE] Sweden ..... 82-1169

[52] U.S. Cl. .... D4/122

[58] Field of Search ..... D4/23.1; 15/104 A, 230.11

[56] References Cited

U.S. PATENT DOCUMENTS

D. 206,258 11/1966 Roth ..... D4/23.1

3,225,373 12/1965 Kisbany ..... 15/230.11 X

Primary Examiner—Catherine E. Kemper  
Attorney, Agent, or Firm—Michael A. Painter

[57] CLAIM

The ornamental design for a device for removing lint from textile goods, substantially as shown.

DESCRIPTION

FIG. 1 is a perspective view of a device for removing lint from textile goods, showing our new design and shown with the roll removed and the cover pivoted to the open position.

FIG. 2 is a perspective view taken from the opposite side thereof the design in an open position;

FIG. 3 is a perspective view of the device for removing lint from textile goods, shown with the cover pivoted to the closed position;

FIG. 4 is a perspective view from the opposite end thereof;

FIG. 5 is an end elevational view of the roll;

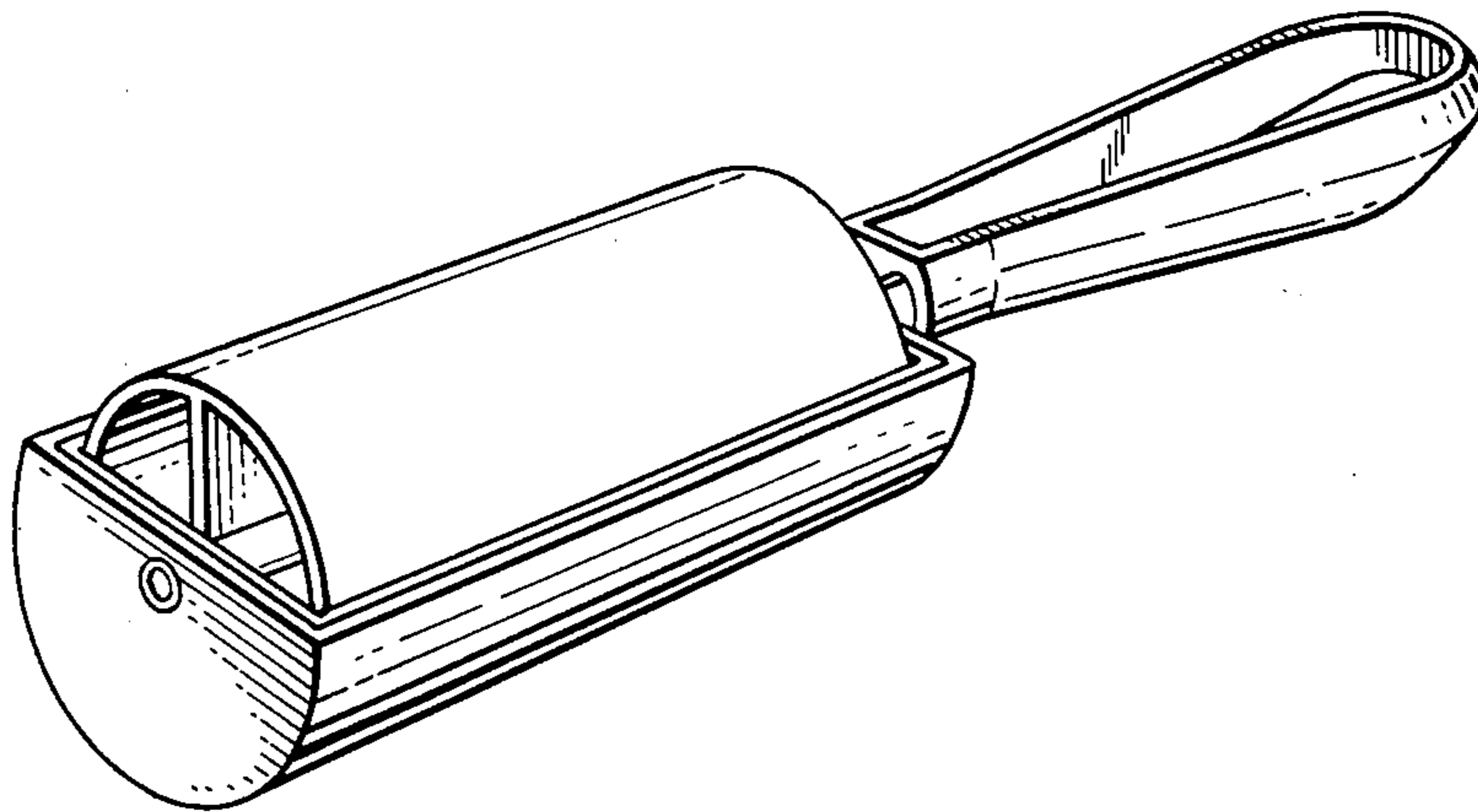
FIG. 6 is a side elevational view of the roll;

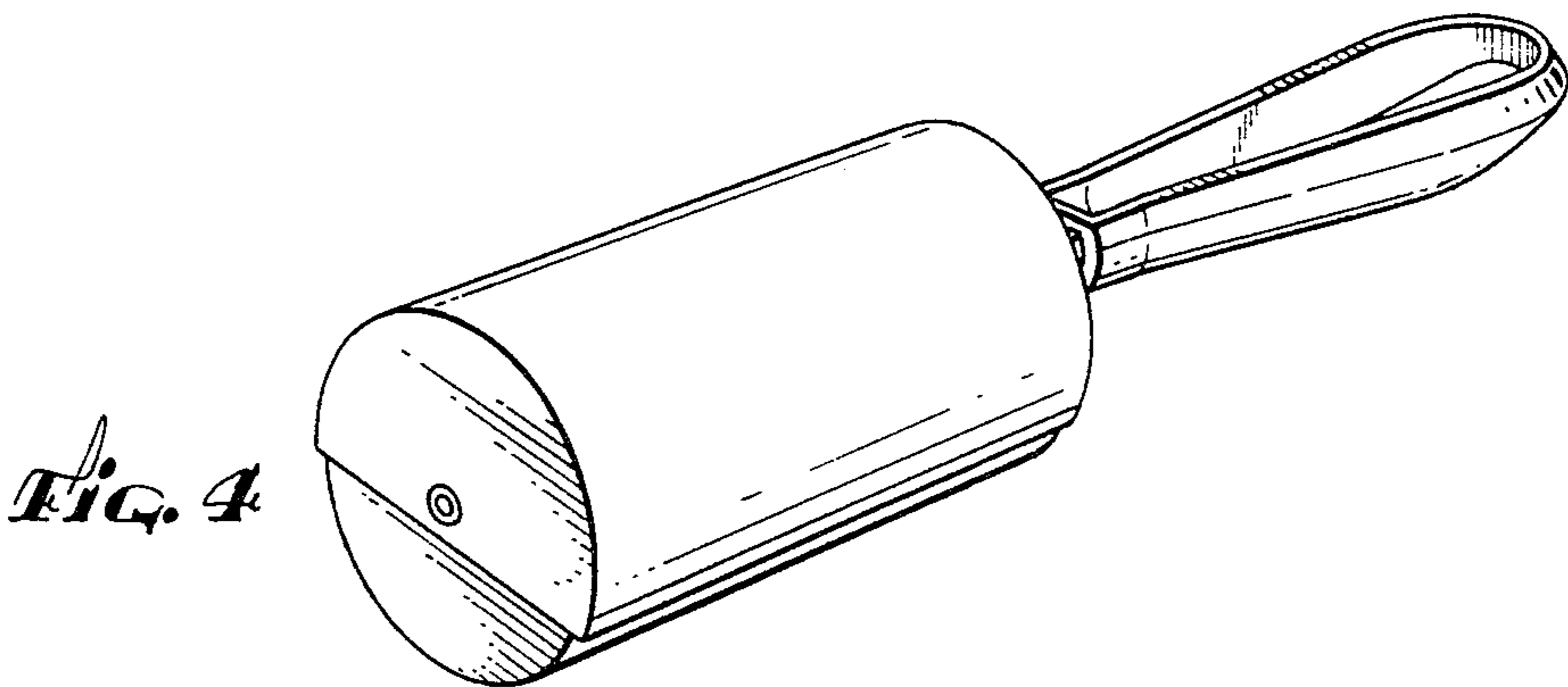
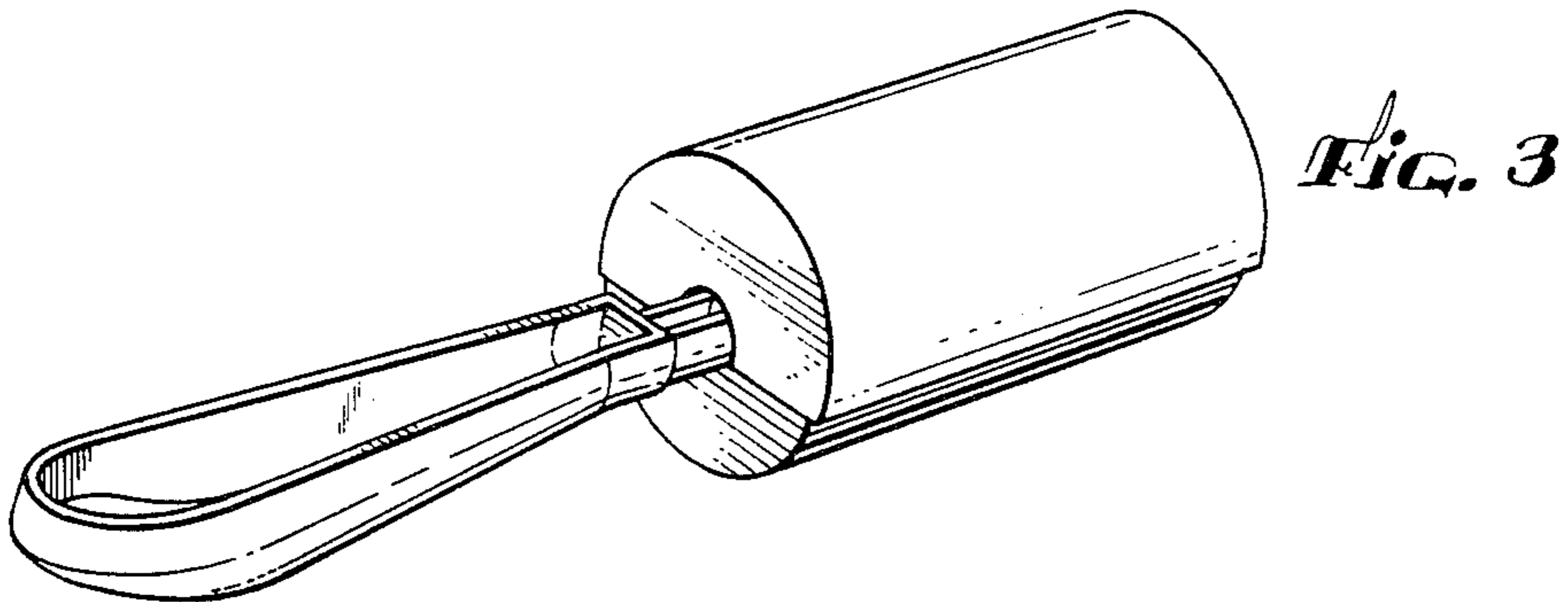
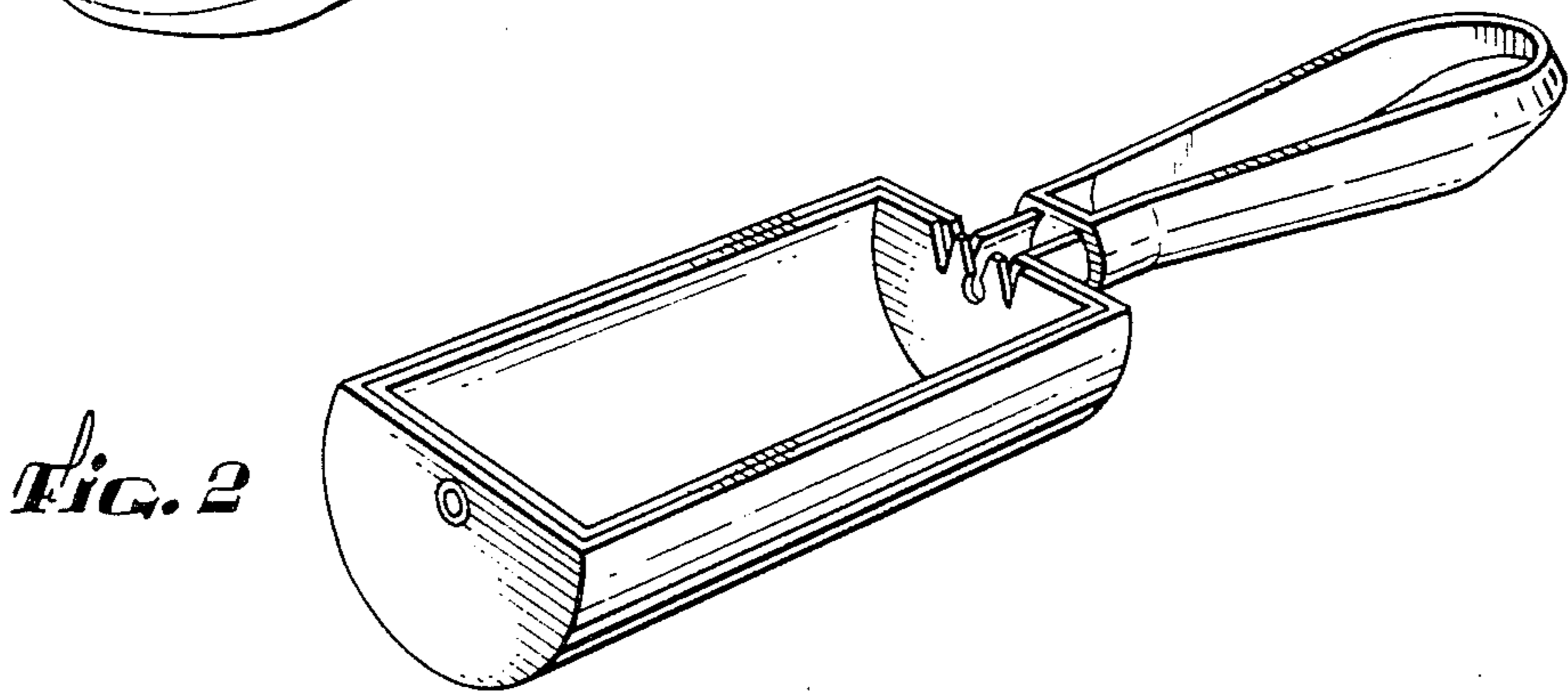
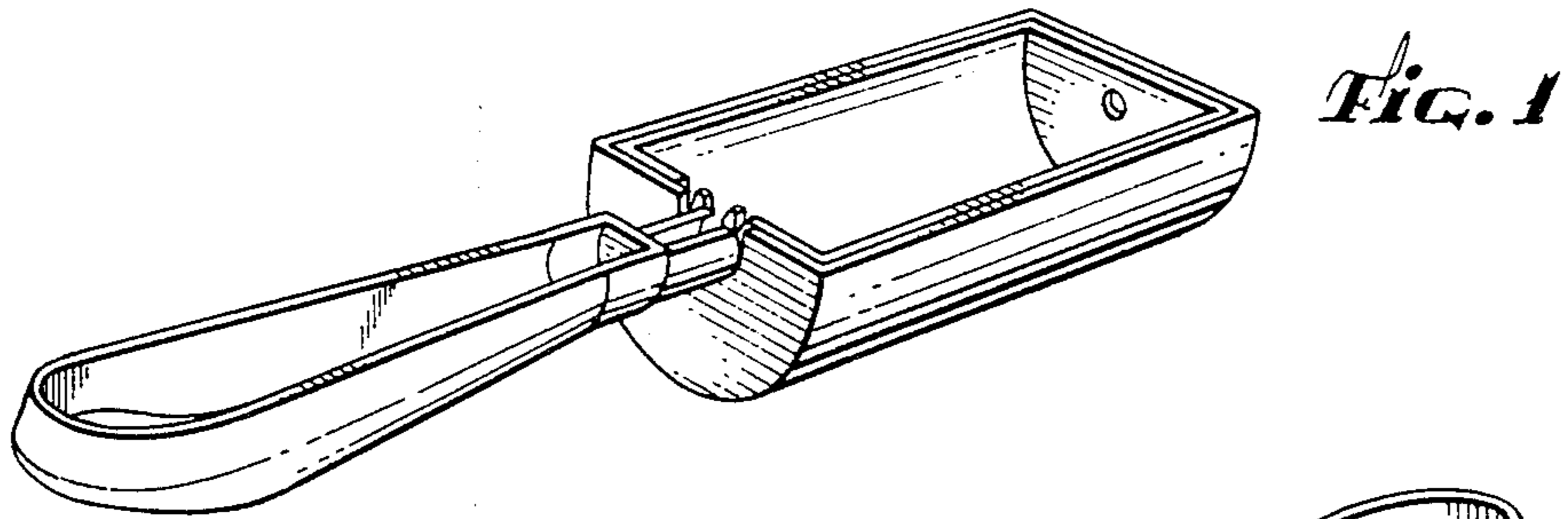
FIG. 7 is a perspective view of the roll;

FIG. 8 is a perspective view taken from the opposite end of the roll;

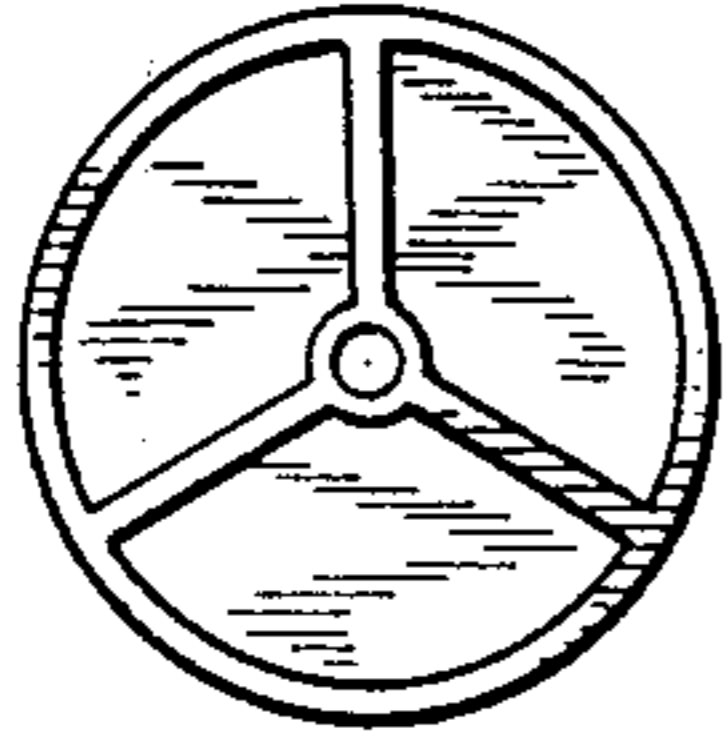
FIG. 9 is a perspective view of a device for removing lint from textile goods, shown with the roll in place and the cover pivoted to the open position; and

FIG. 10 is a perspective view of the lint collector and container taken from the handle side showing the design with inserted roll.

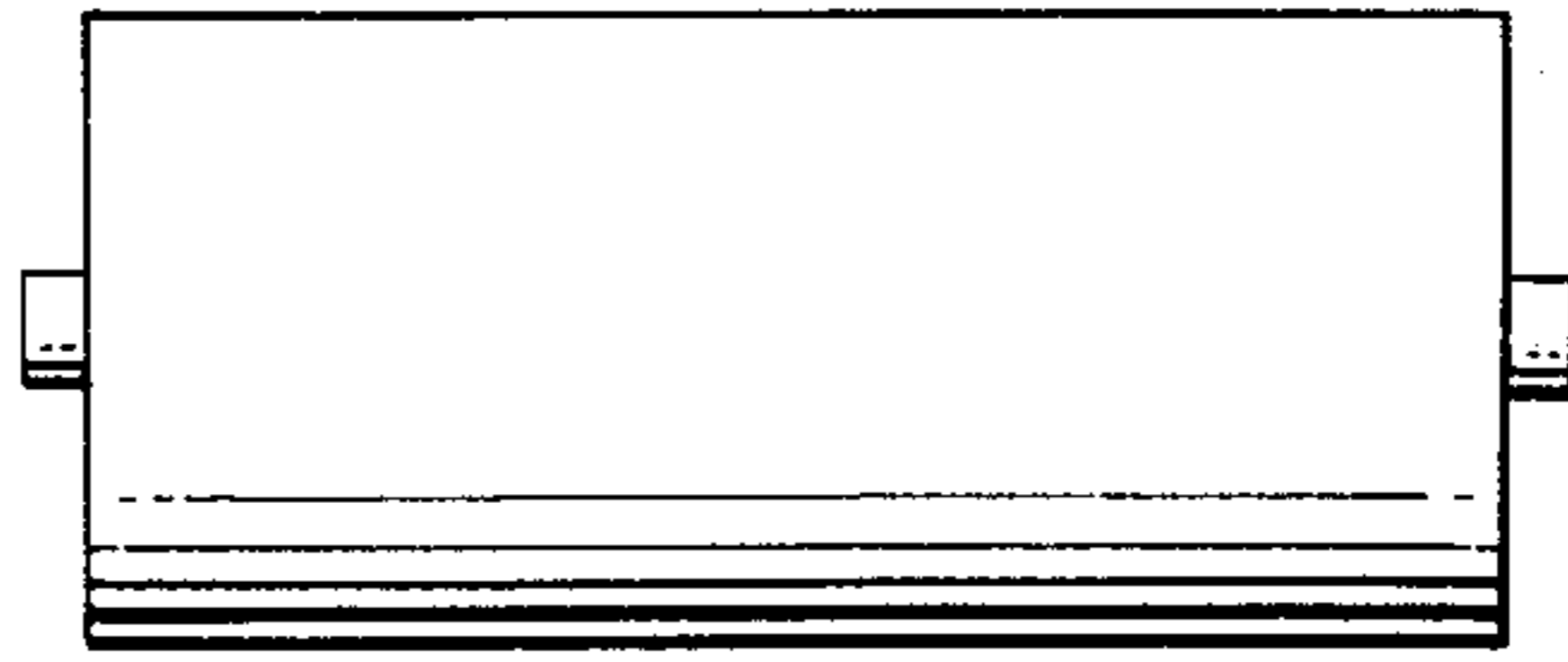




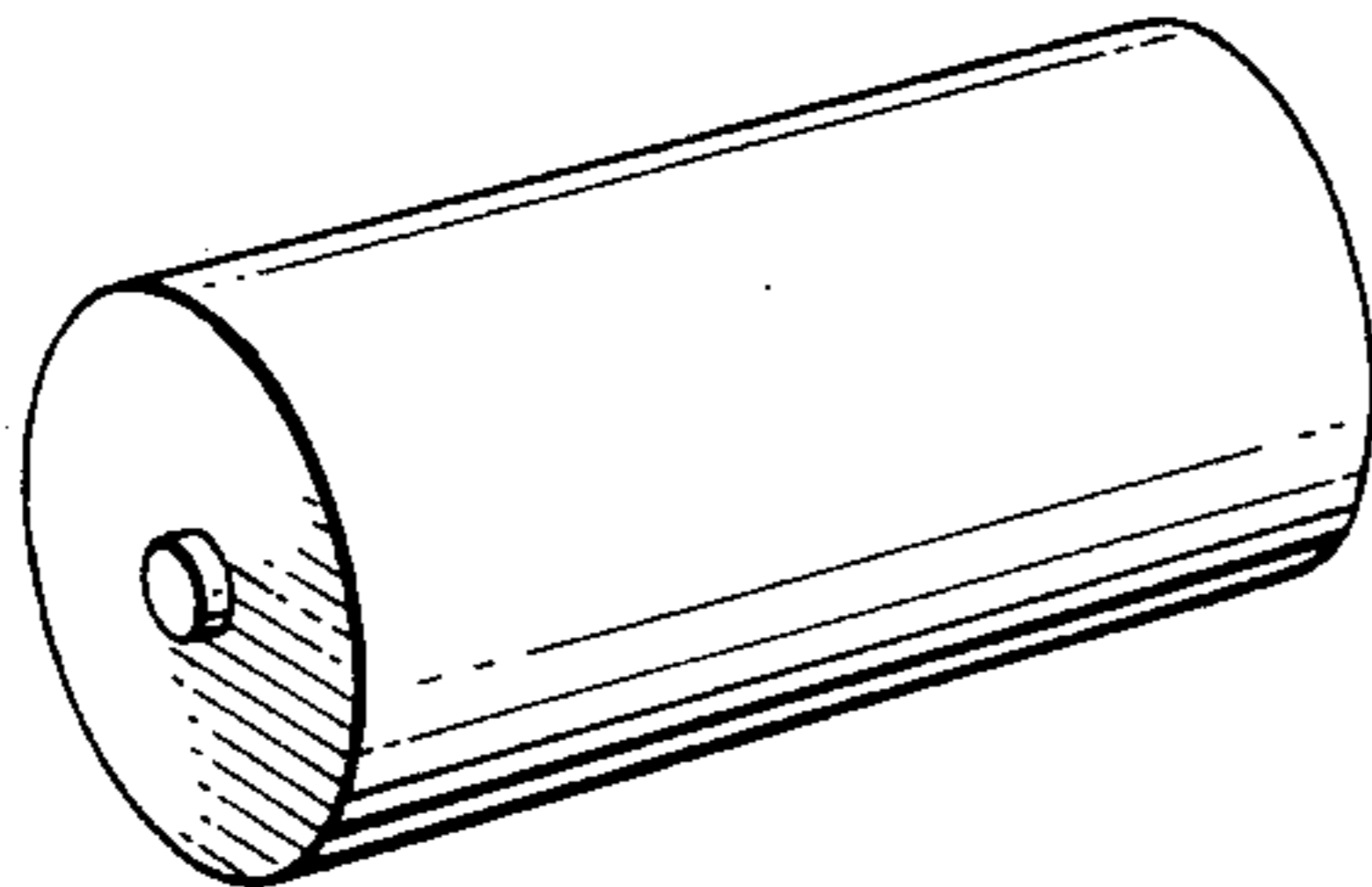
*FIG. 5*



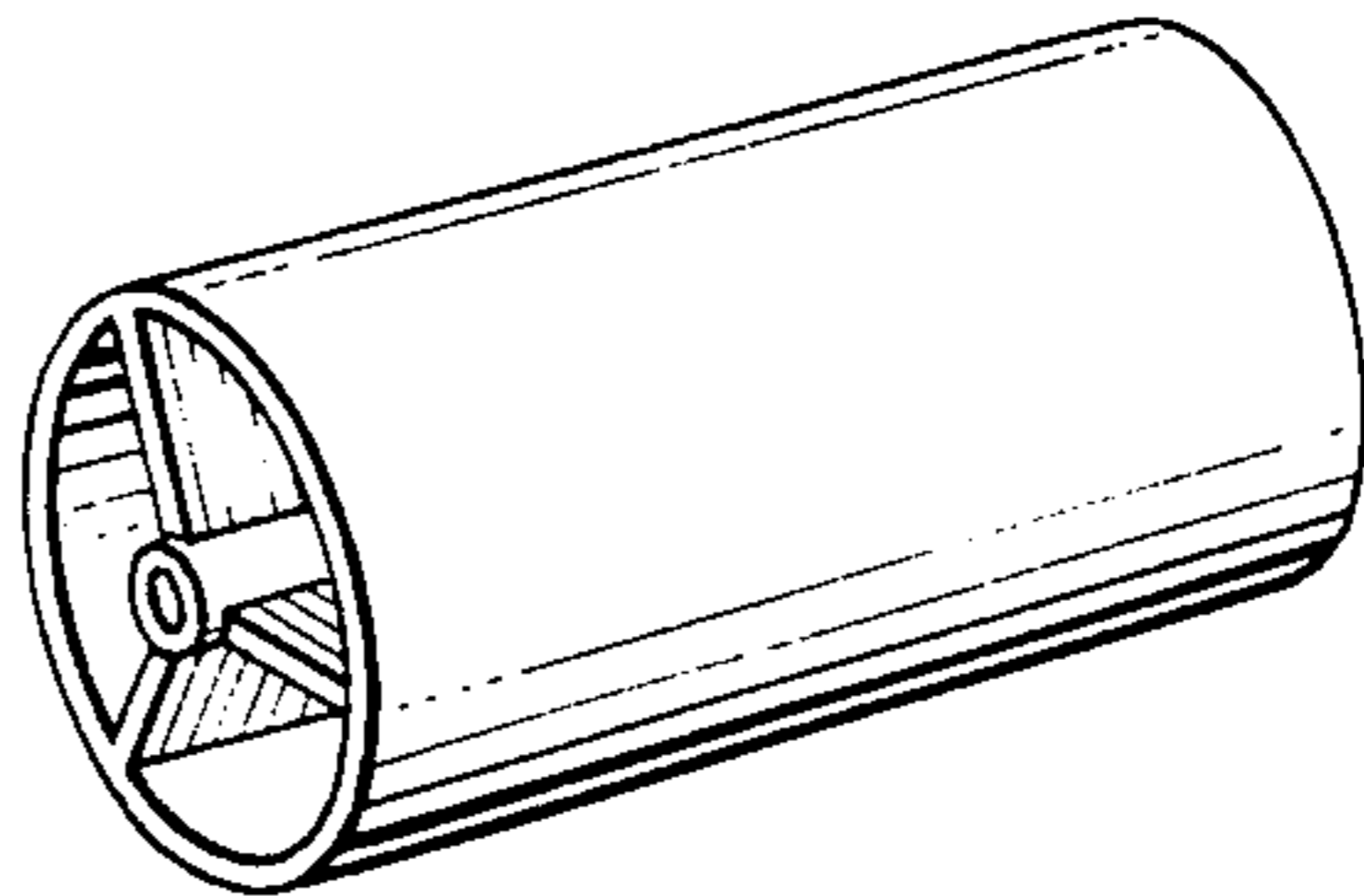
*FIG. 6*



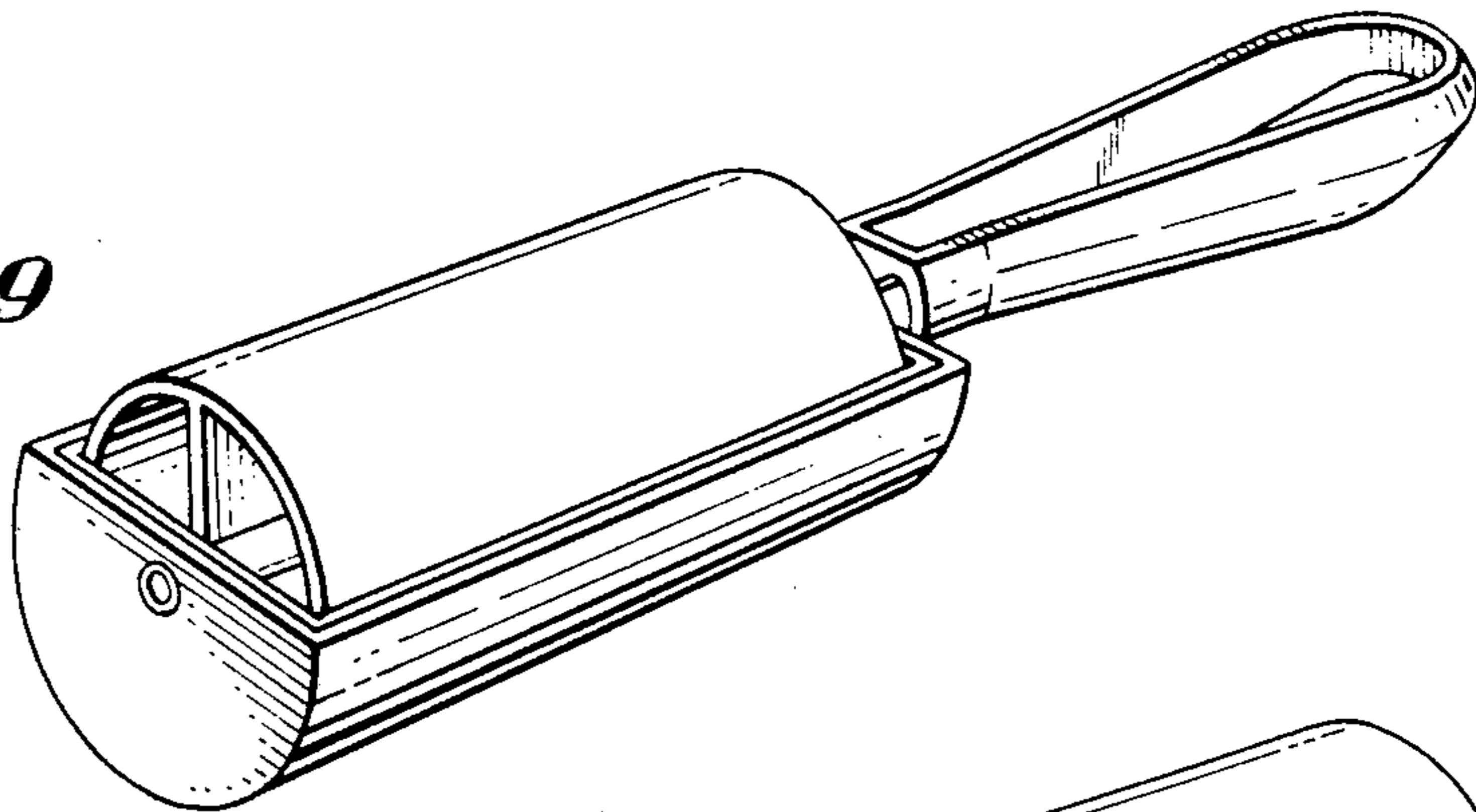
*FIG. 7*



*FIG. 8*



*FIG. 9*



*FIG. 10*

