

[54] **BACKPACK CARGO FRAME OR THE LIKE**

3,464,607 9/1969 Grace et al. D3/32
4,135,654 1/1979 Chu D3/32

[76] Inventor: **Thomas Anderson, 25 SW. 97th St.,
Portland, Oreg. 97225**

Primary Examiner—George P. Word
Attorney, Agent, or Firm—Mills and Coats

[**] Term: **14 Years**

[57] **CLAIM**

[21] Appl. No.: **497,265**

The ornamental design for a backpack cargo frame or the like, as shown and described.

[22] Filed: **May 23, 1983**

[52] U.S. Cl. **D3/32; D6/571**

[58] Field of Search **D3/30.1, 31, 32;
224/153-156, 270; D6/568-572**

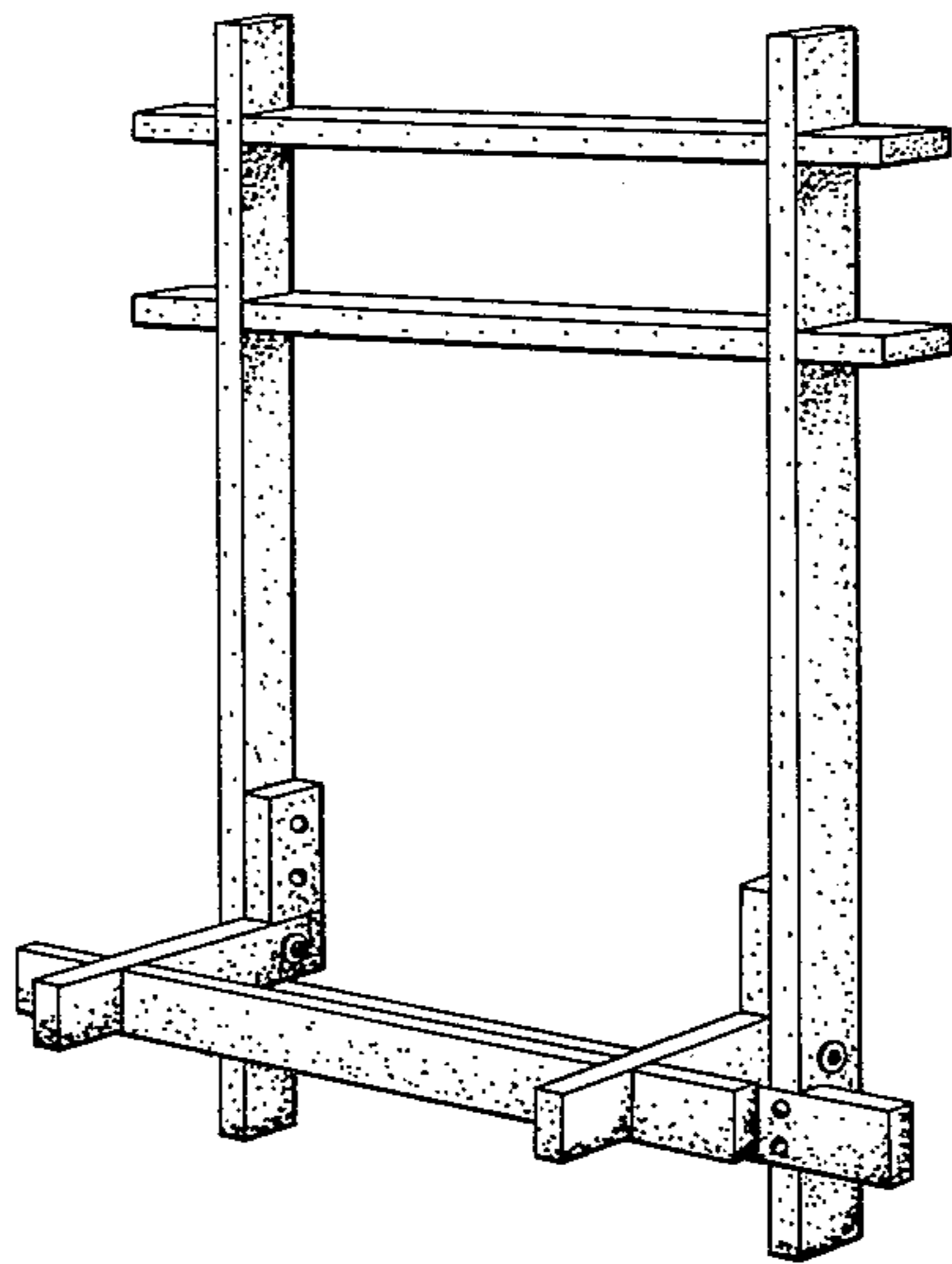
DESCRIPTION

[56] **References Cited**

U.S. PATENT DOCUMENTS

FIG. 1 is a perspective view of a backpack cargo frame or the like showing my new design;
FIG. 2 is a rear elevational view thereof;
FIG. 3 is a front elevational view thereof;
FIG. 4 is a left side elevational view thereof;
FIG. 5 is a right side elevational view thereof;
FIG. 6 is a bottom plan view thereof; and
FIG. 7 is a top plan view thereof.

D. 130,180 10/1941 Hartsock D3/32
D. 254,462 3/1980 Heckathorn D6/571
2,925,205 2/1960 Hunt 224/270
3,206,087 9/1965 Tyrrell D3/32



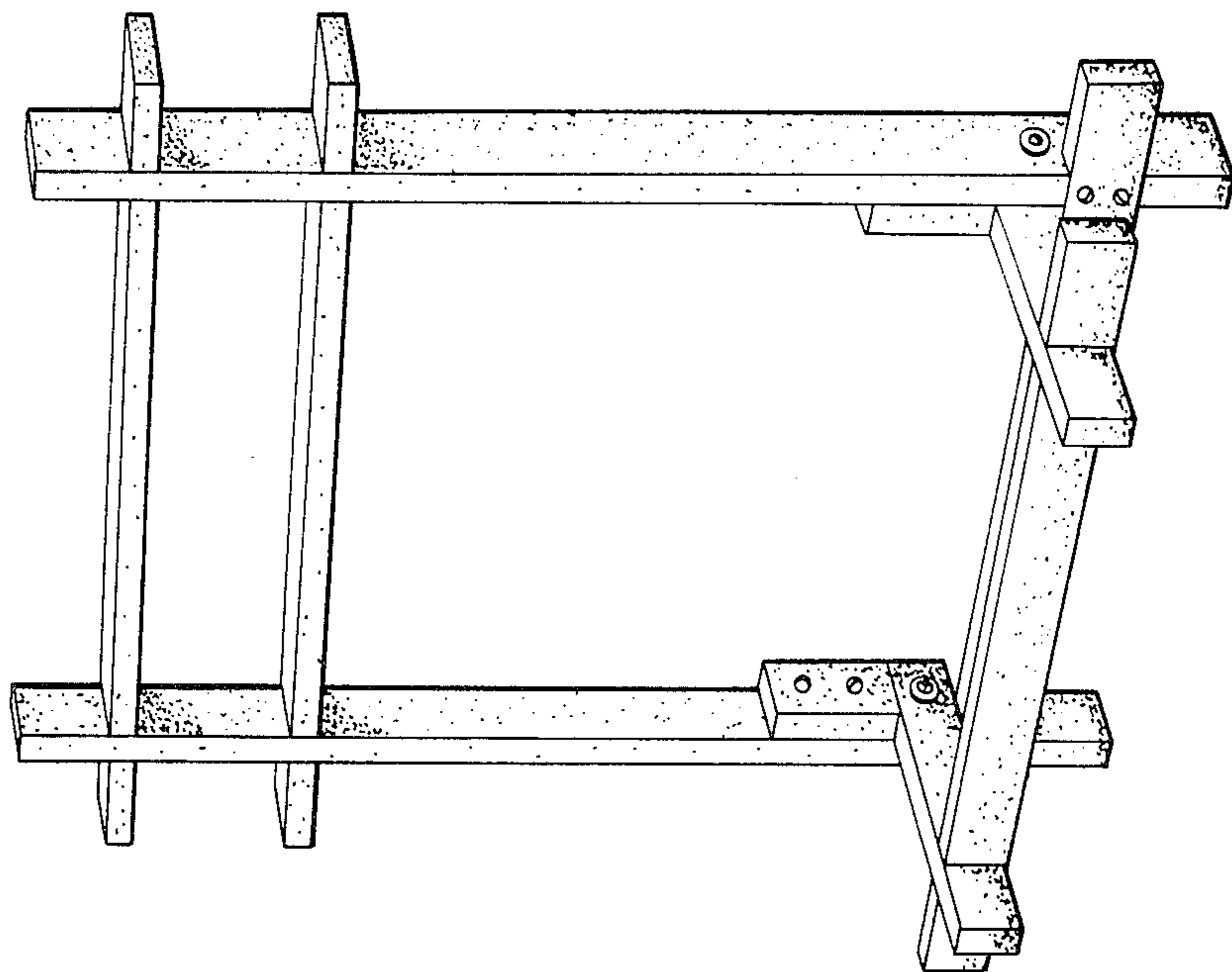


FIG. 1

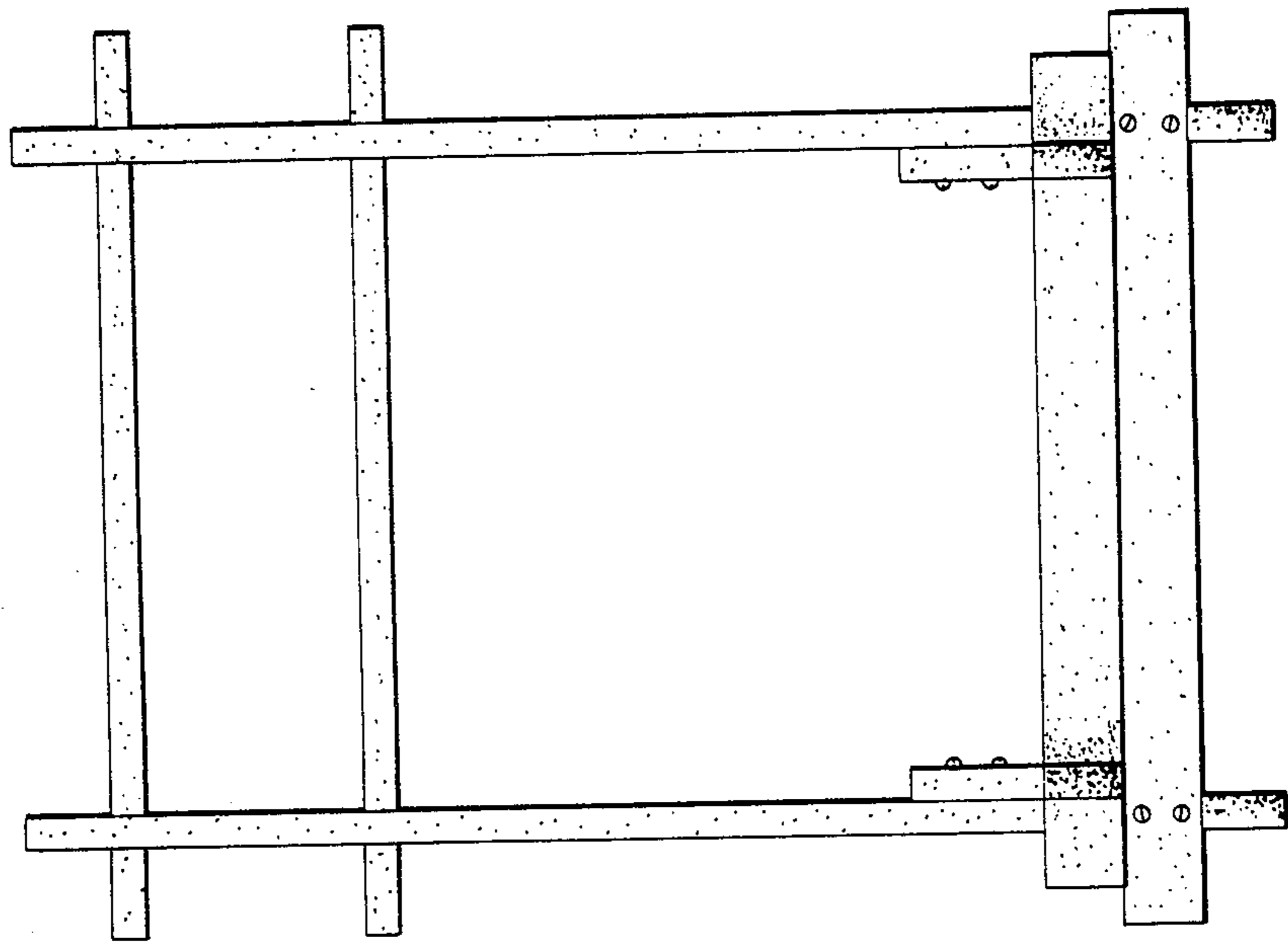


FIG. 3

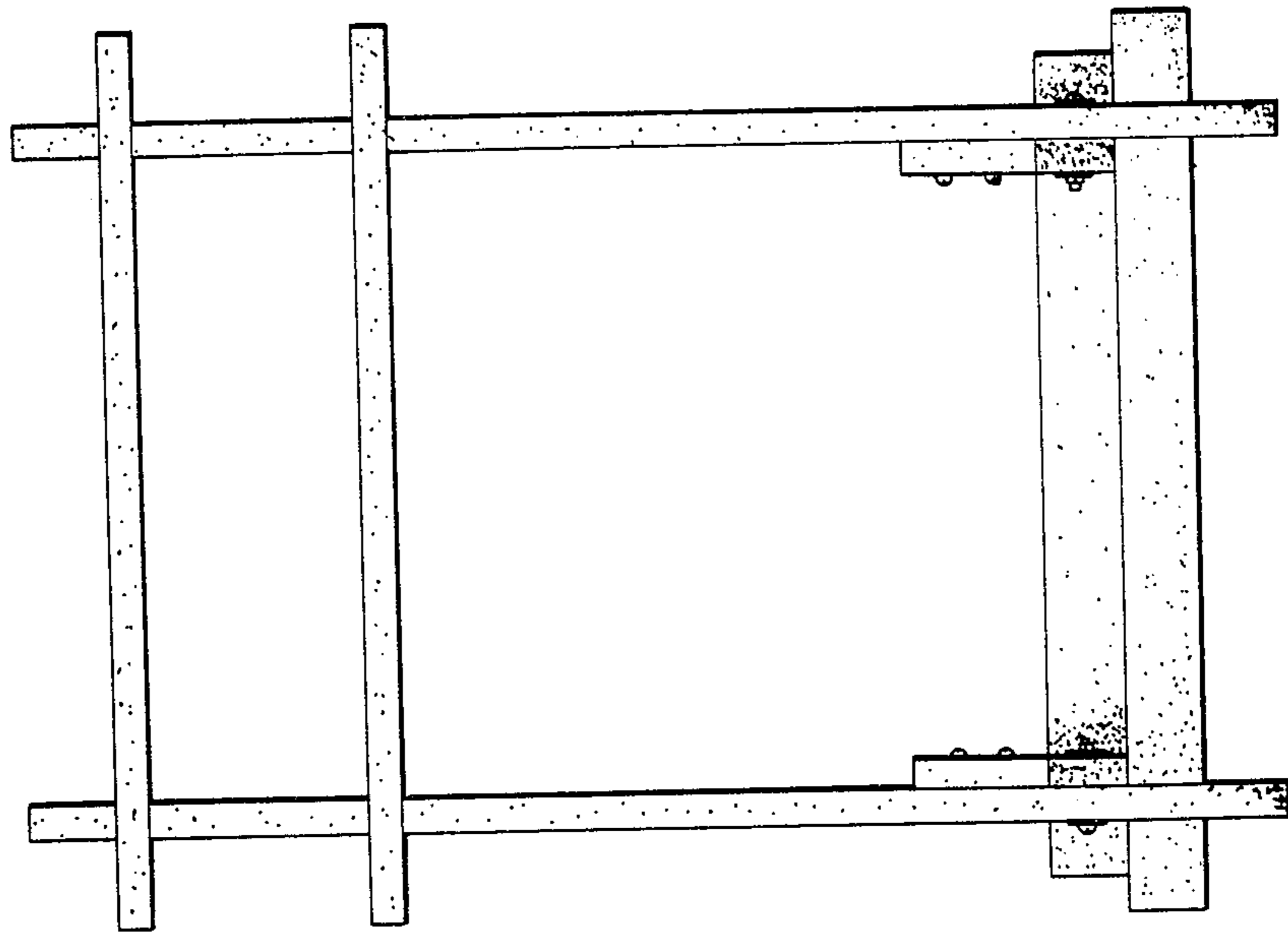


FIG. 2

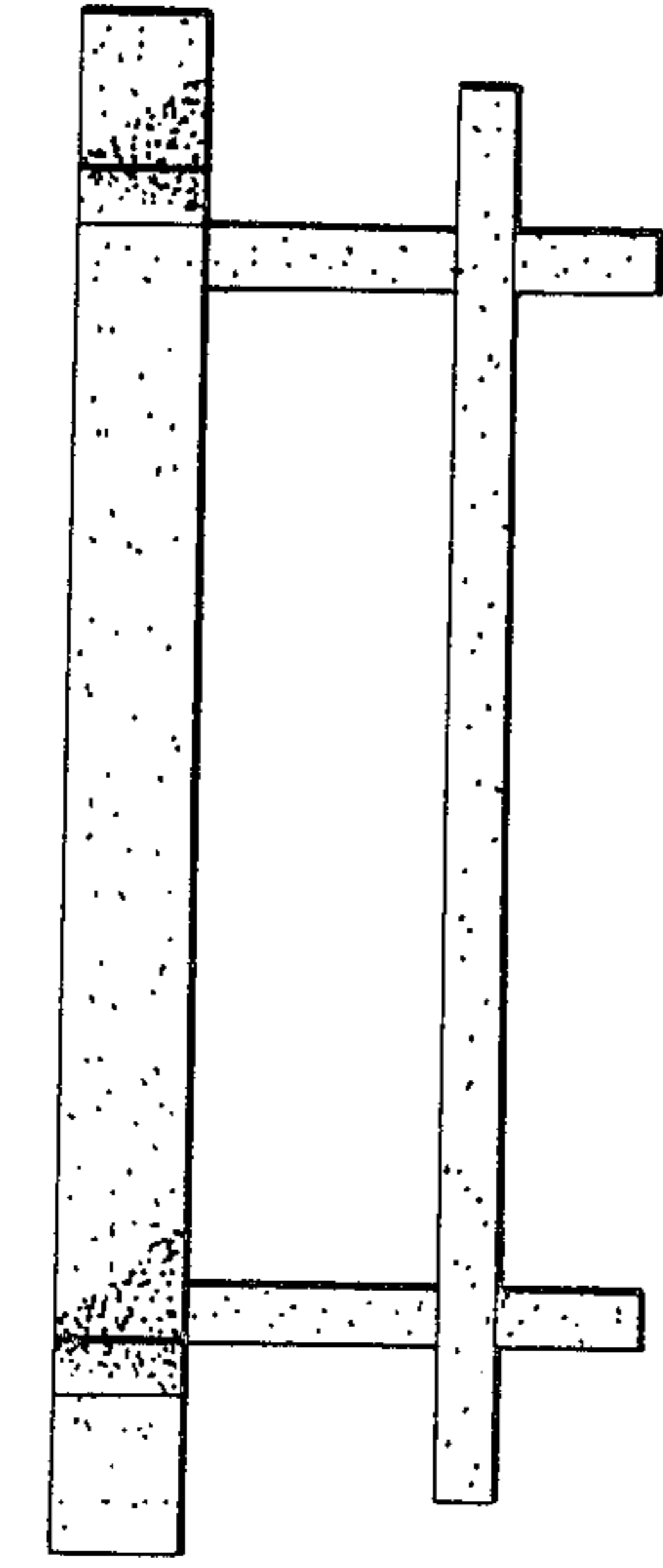


FIG. 6

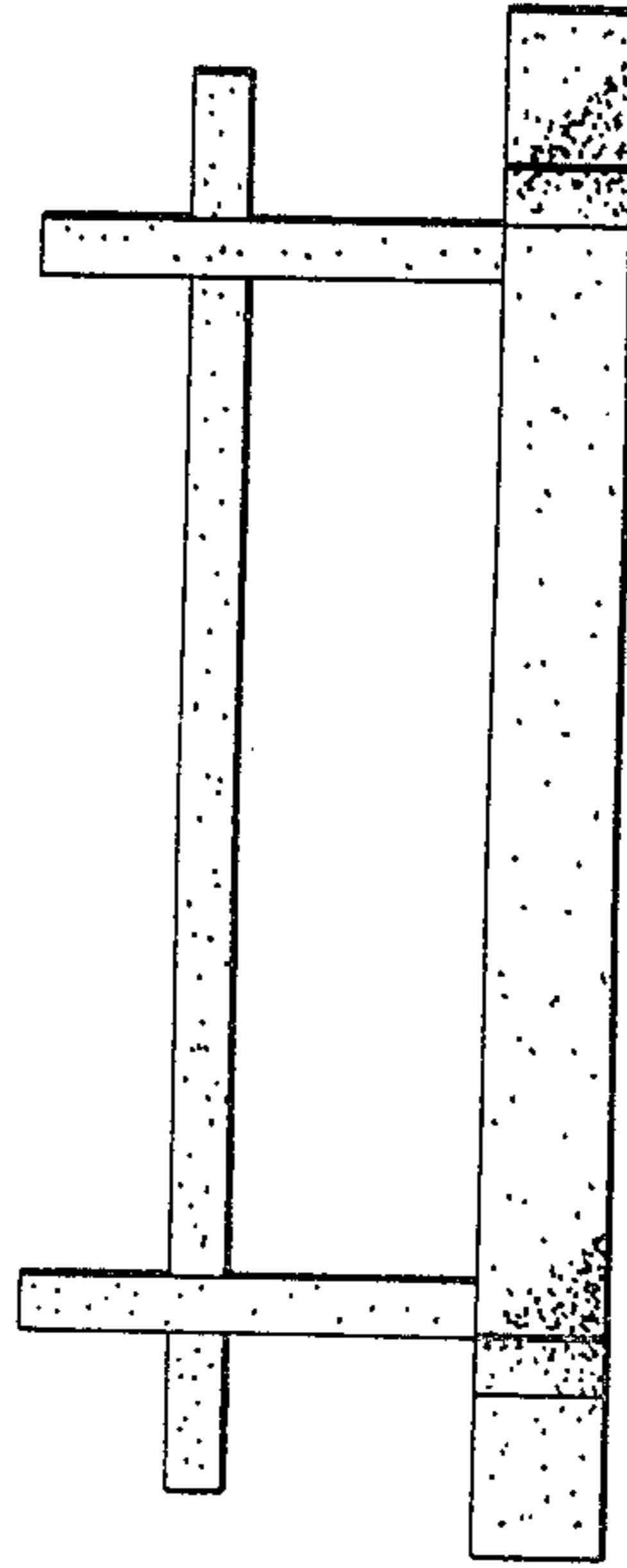


FIG. 7

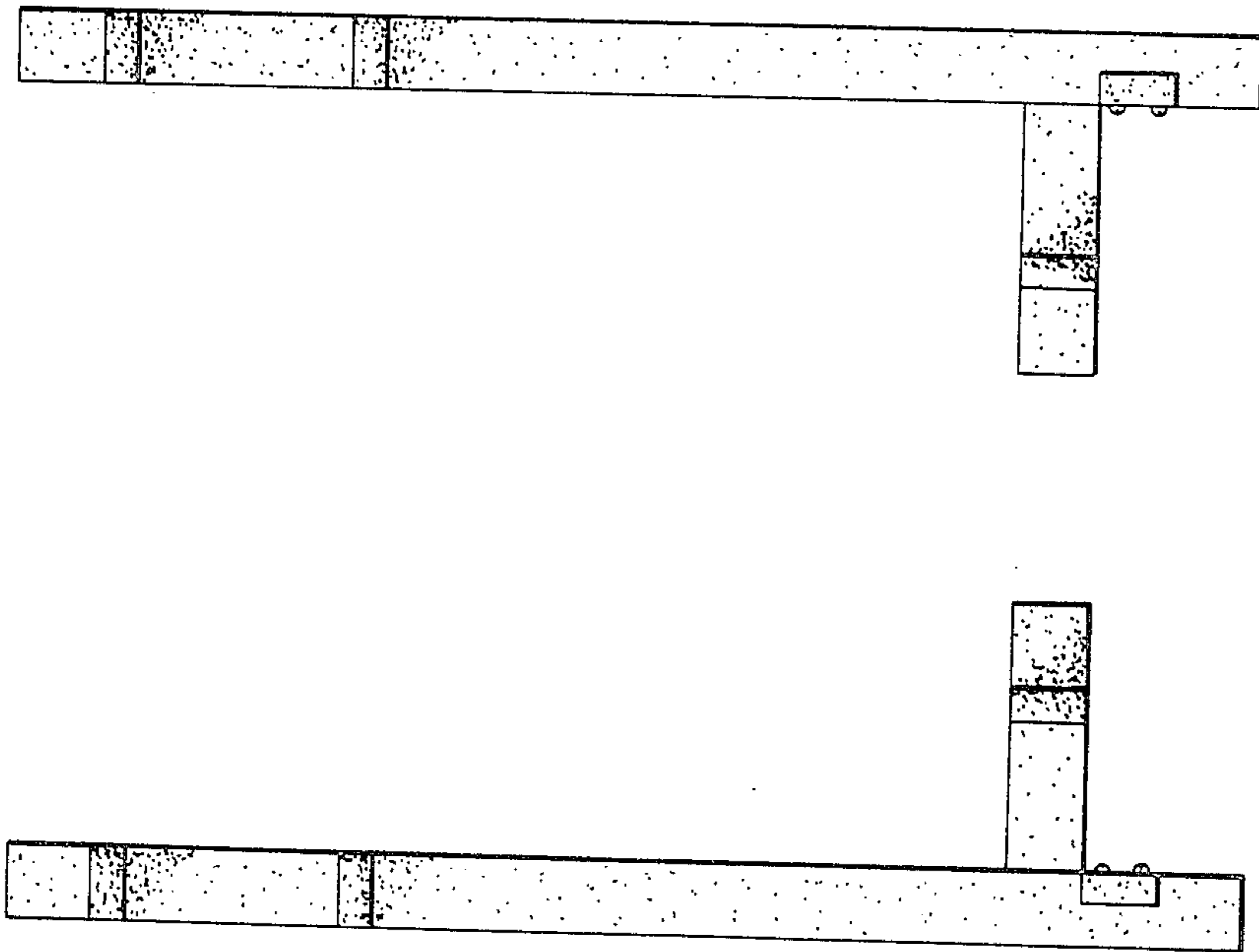


FIG. 4

FIG. 5