

[54] MOP HEAD

[75] Inventors: Robert W. Machaek, Lombard; John R. Howard, West Chicago, both of Ill.

[73] Assignee: The Drackett Company, Cincinnati, Ohio

[**] Term: 14 Years

[21] Appl. No.: 490,067

[22] Filed: Apr. 29, 1983

[52] U.S. Cl. D32/50

[58] Field of Search D32/50, 51, 52; 15/147 R, 150, 151, 229 R

[56] References Cited

U.S. PATENT DOCUMENTS

116,174	6/1871	French .	
D. 199,023	9/1965	Auwarter .	
1,762,454	6/1930	Paulos	15/150
2,242,869	5/1940	Phipps	15/147
2,501,514	3/1950	Hill	15/150
3,187,363	6/1965	Auwarter	15/229

3,328,822	7/1967	Sellesi	15/151
3,457,581	7/1969	Oas	15/147
4,287,632	9/1981	Hammond	15/150
4,422,203	12/1983	Zenker	15/151 X

FOREIGN PATENT DOCUMENTS

179016 8/1935 Switzerland .

Primary Examiner—Catherine E. Kemper
Attorney, Agent, or Firm—Charles J. Zeller

[57] CLAIM

The ornamental design for a mop head, as shown and described.

DESCRIPTION

FIG. 1 is a front elevational view of a mop head, showing my new design;
FIG. 2 is a top plan view thereof;
FIG. 3 is a right side elevational view thereof;
FIG. 4 is a left side elevational view thereof;
FIG. 5 is a bottom plan view thereof;
FIG. 6 is a rear elevational view thereof;
FIG. 7 is a perspective view thereof;
FIG. 8 is a perspective view with the lower jaw pivoted to an open position.

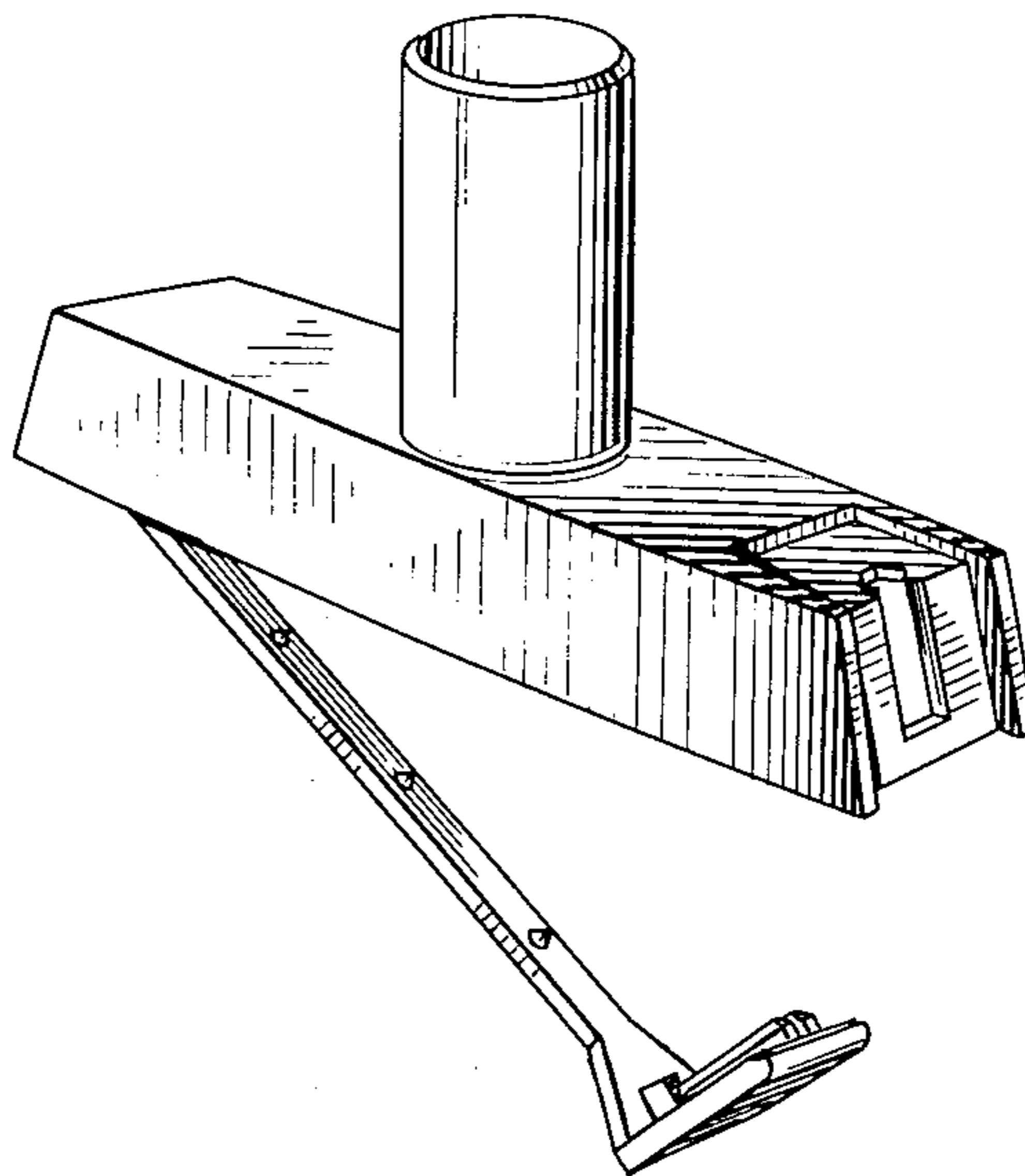


Fig. 1.

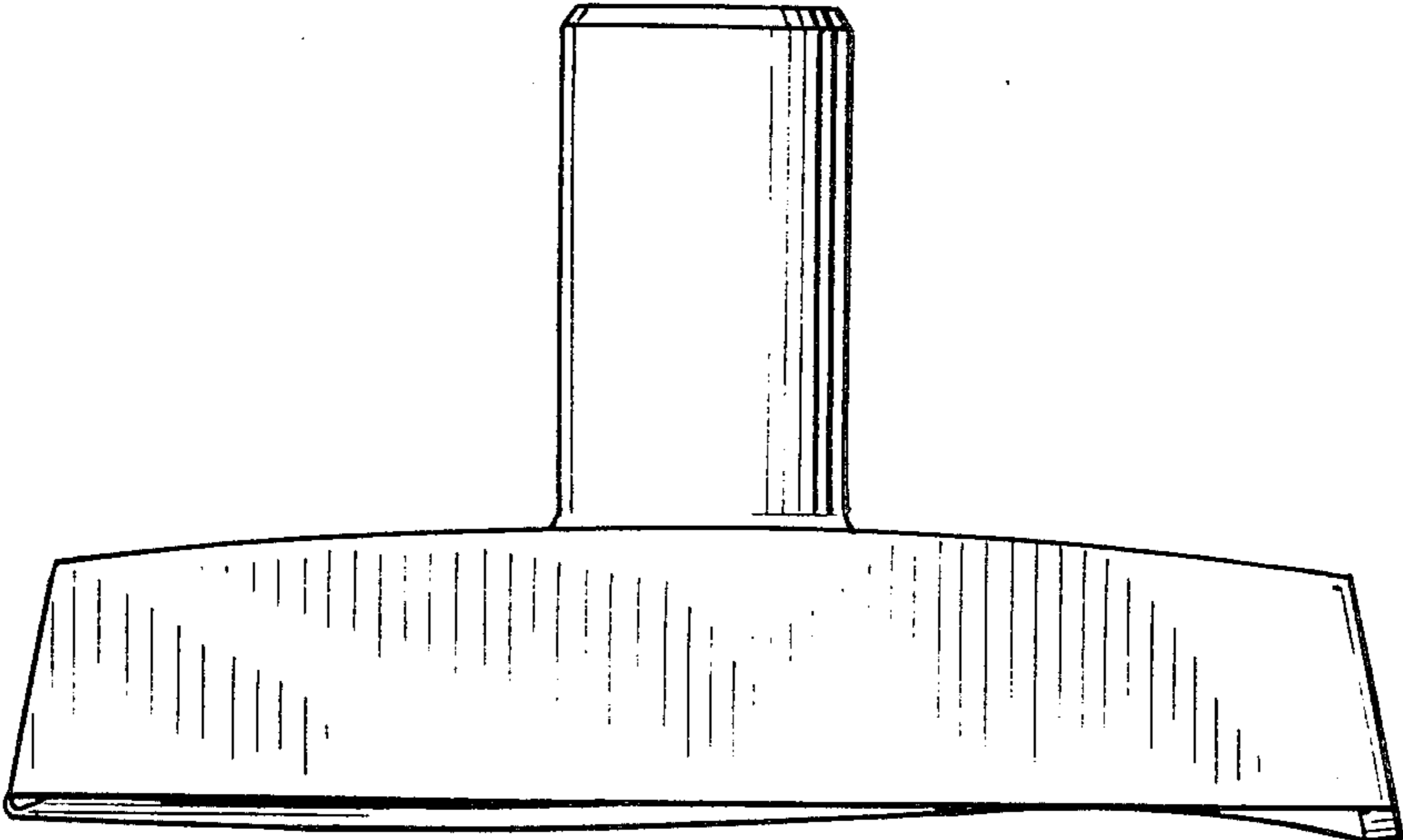


Fig 2.

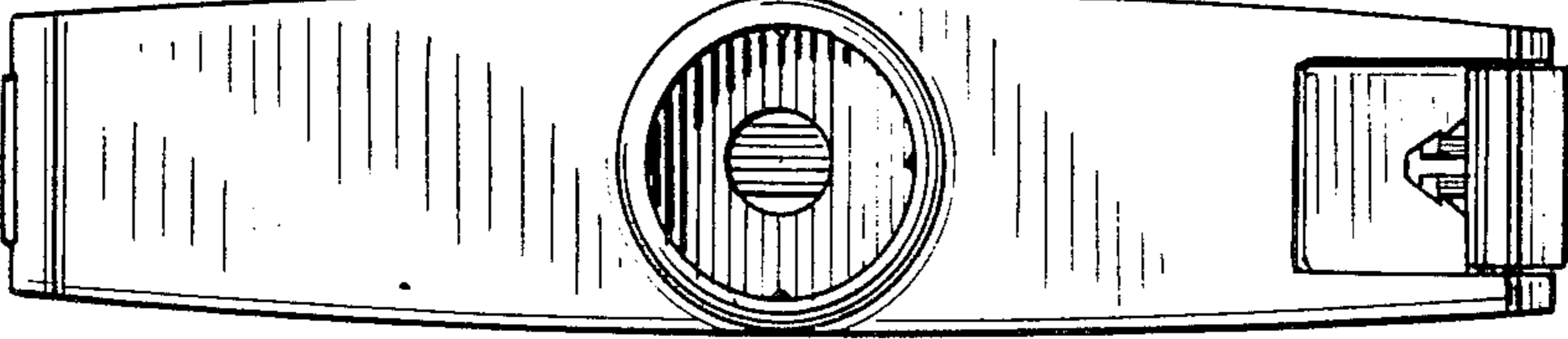


Fig. 3.

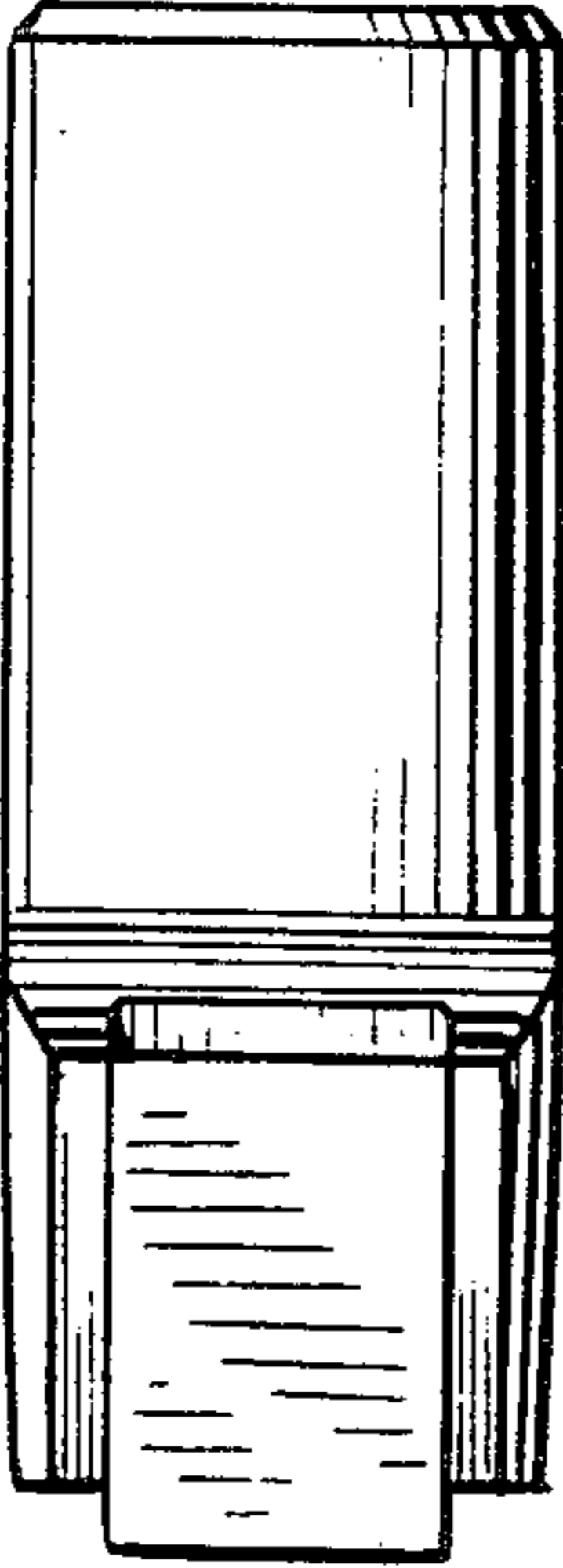


Fig. 4

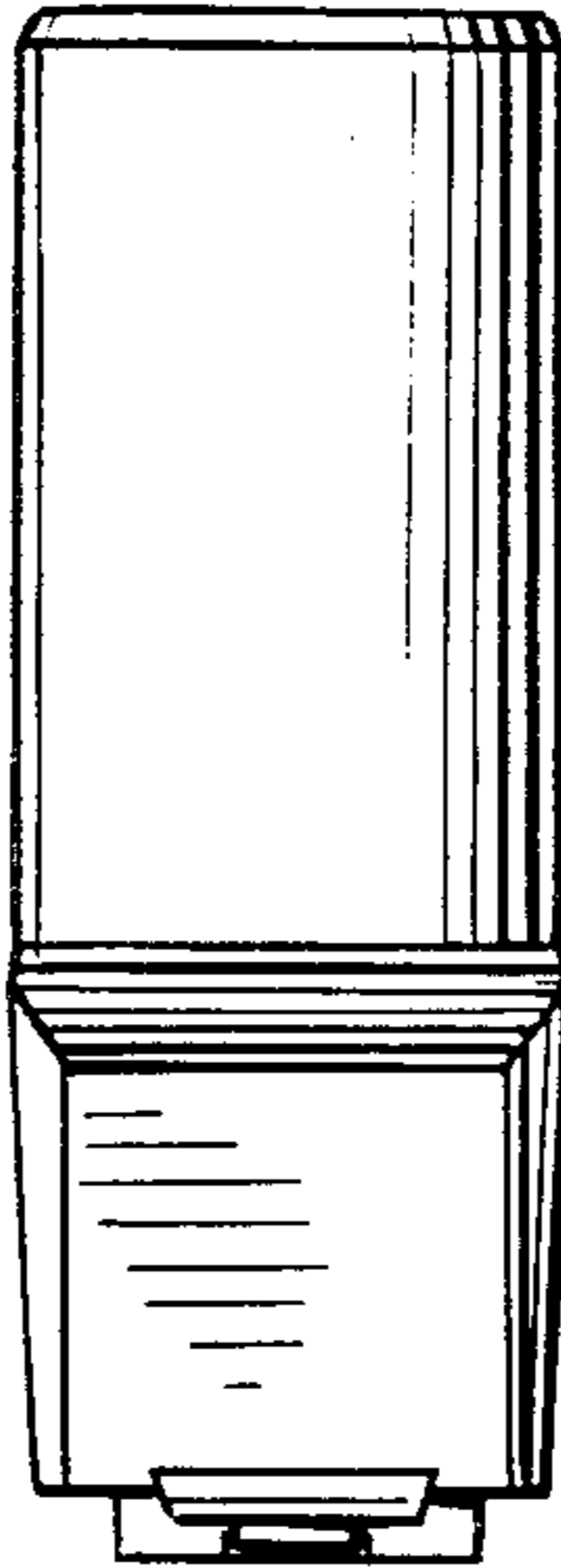


Fig. 5

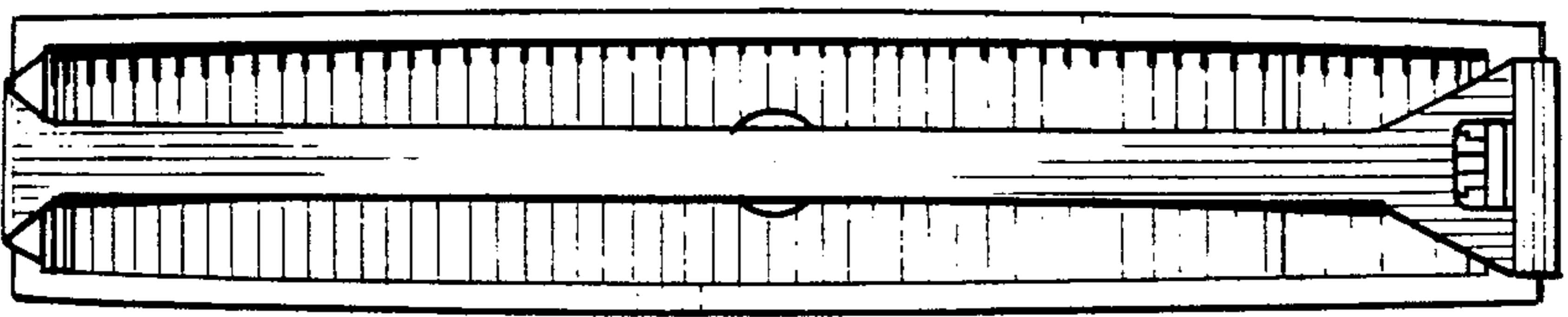
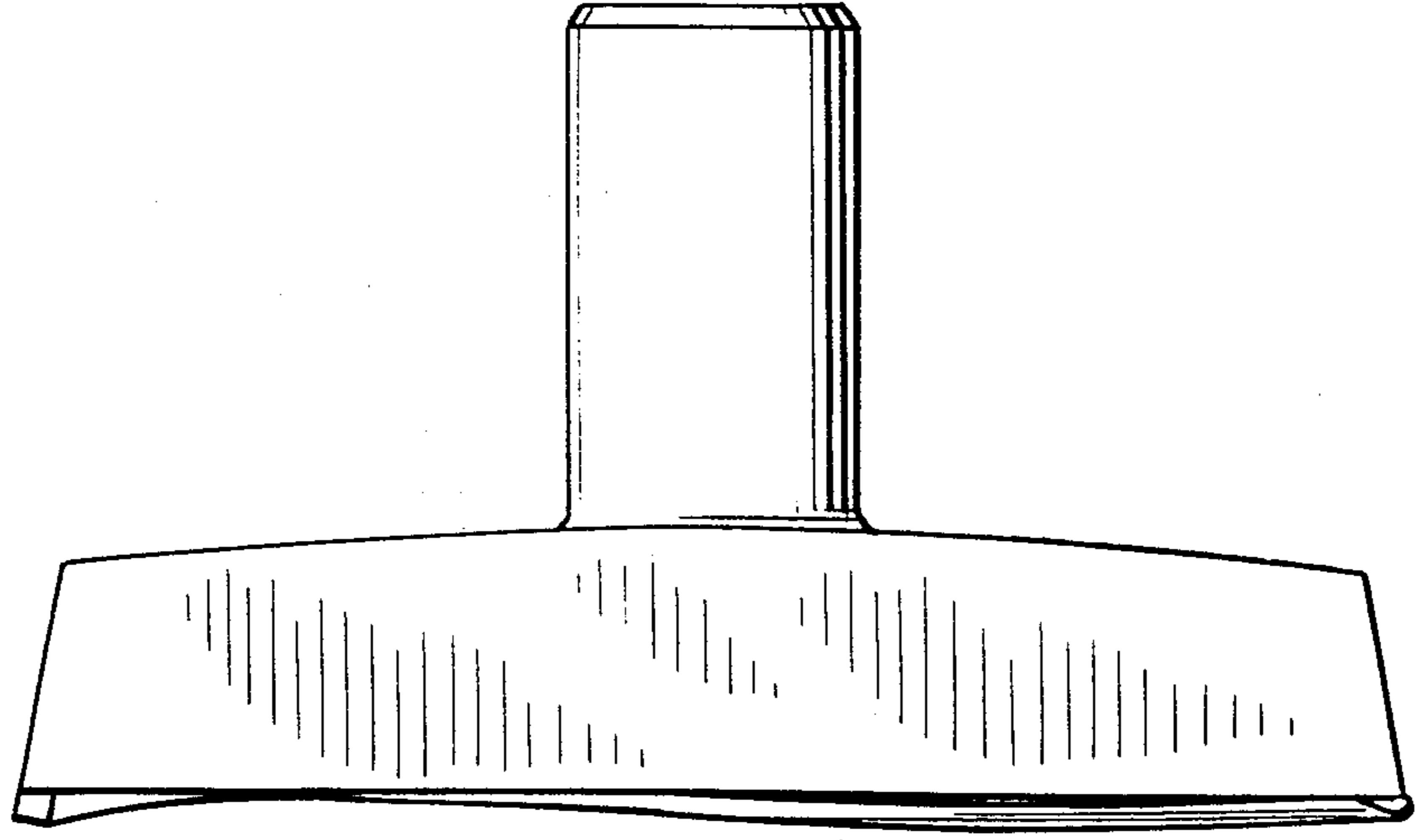


Fig. 6



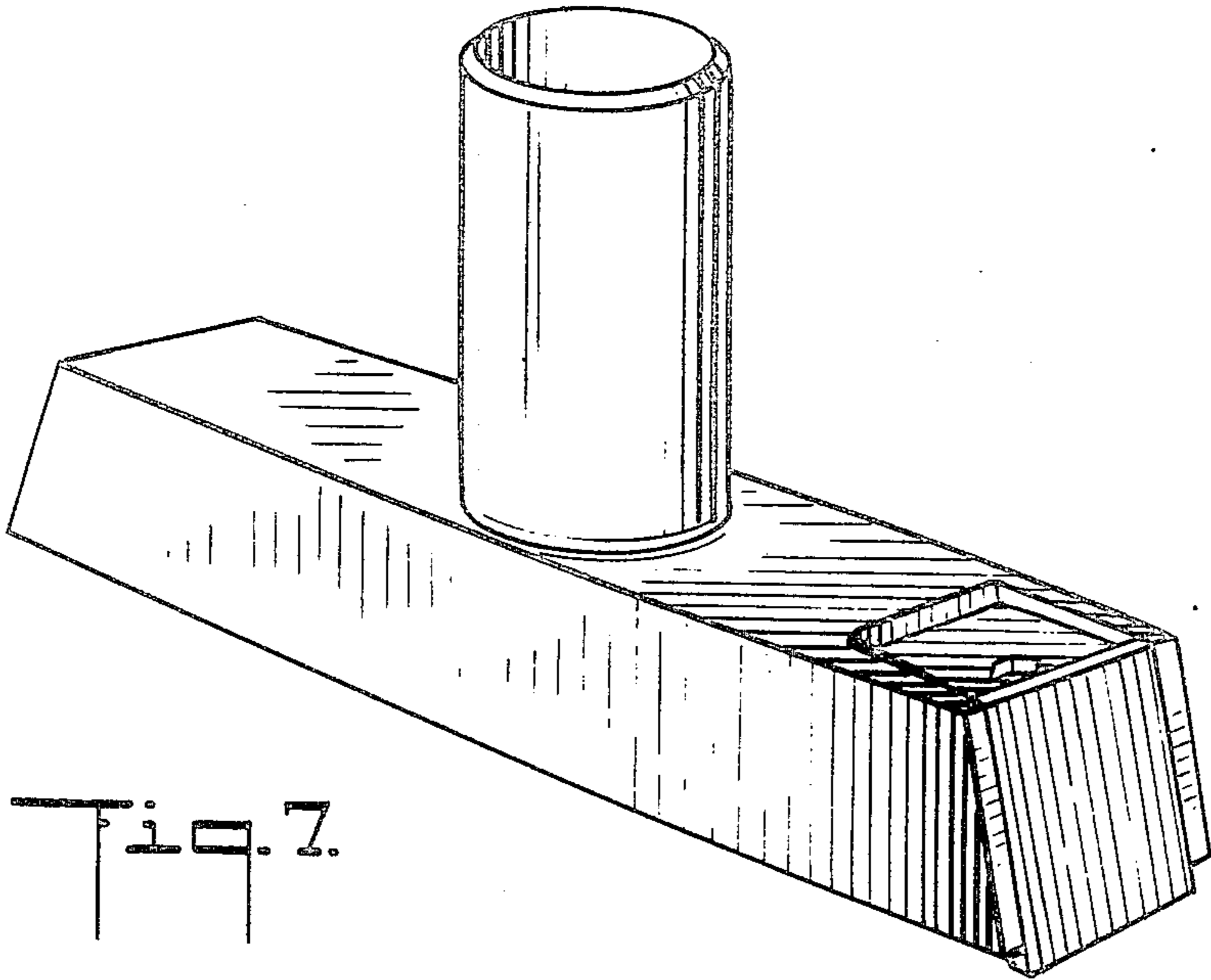


Fig. 7.

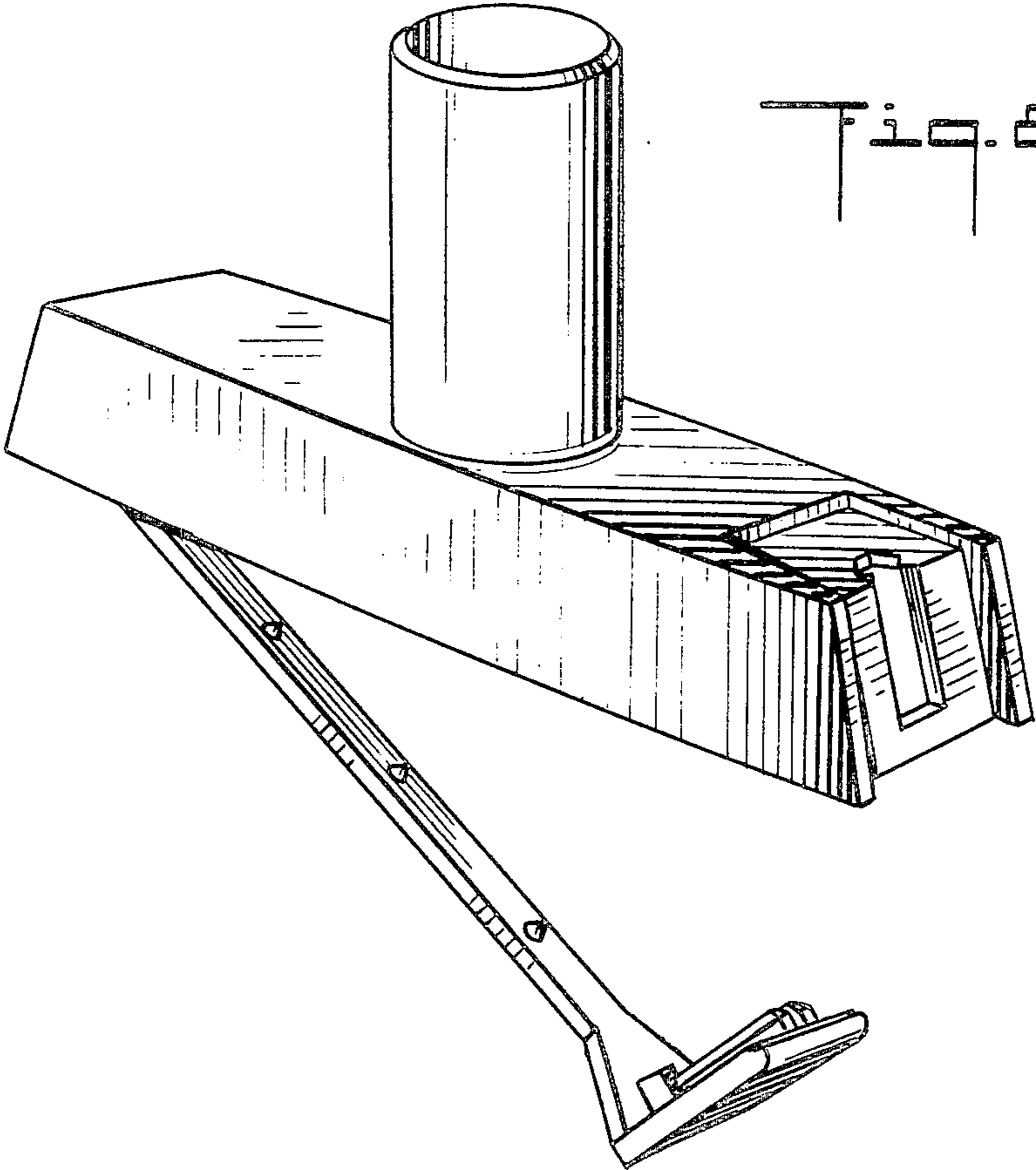


Fig. 8.