

[54] **THREE WHEEL STREET SWEEPER WITH HIGH DUMP HOPPER**

[75] Inventor: **Thomas A. Pratt**, Los Gatos, Calif.

[73] Assignee: **FMC Corporation**, Chicago, Ill.

[**] Term: **14 Years**

[21] Appl. No.: **497,398**

[22] Filed: **May 23, 1983**

[52] U.S. Cl. **D32/16**

[58] Field of Search **D32/1, 15, 16; D34/12-27; D12/96, 1, 14, 15; 15/340**

[56] **References Cited**

U.S. PATENT DOCUMENTS

D. 176,040	11/1955	Schafner	D12/14
D. 228,362	9/1973	Krier	D32/16
D. 231,387	4/1974	Krier	D32/16
D. 269,419	6/1983	Umlauf et al.	D12/96
3,406,423	10/1968	Young	15/340
3,809,267	5/1974	Knight	D12/15

OTHER PUBLICATIONS

Flight International, 10-18-73, Houchin Truck.
Industrial Equipment News, Jul. 1980, p. 25, Top-Model #67 Sweeper.

Central Engineering Company Brochure Model E19.
Elgin Brochure, Form No. ES81 RRB Elgin Roadrunner.

Primary Examiner—Wallace R. Burke
Assistant Examiner—Lynn Wilder
Attorney, Agent, or Firm—A. J. Moore; H. M. Stanley; R. B. Megley

[57] **CLAIM**

The ornamental design for a three wheel street sweeper with high dump hopper, as shown.

DESCRIPTION

FIG. 1 is a right front perspective view of the three wheel street sweeper with high dump hopper showing my new design;
FIG. 2 is a right rear perspective view thereof;
FIG. 3 is a right rear and top perspective view thereof;
FIG. 4 is a left front perspective view thereof;
FIG. 5 is a left rear perspective view thereof;
FIG. 6 is a left rear and top perspective view thereof.

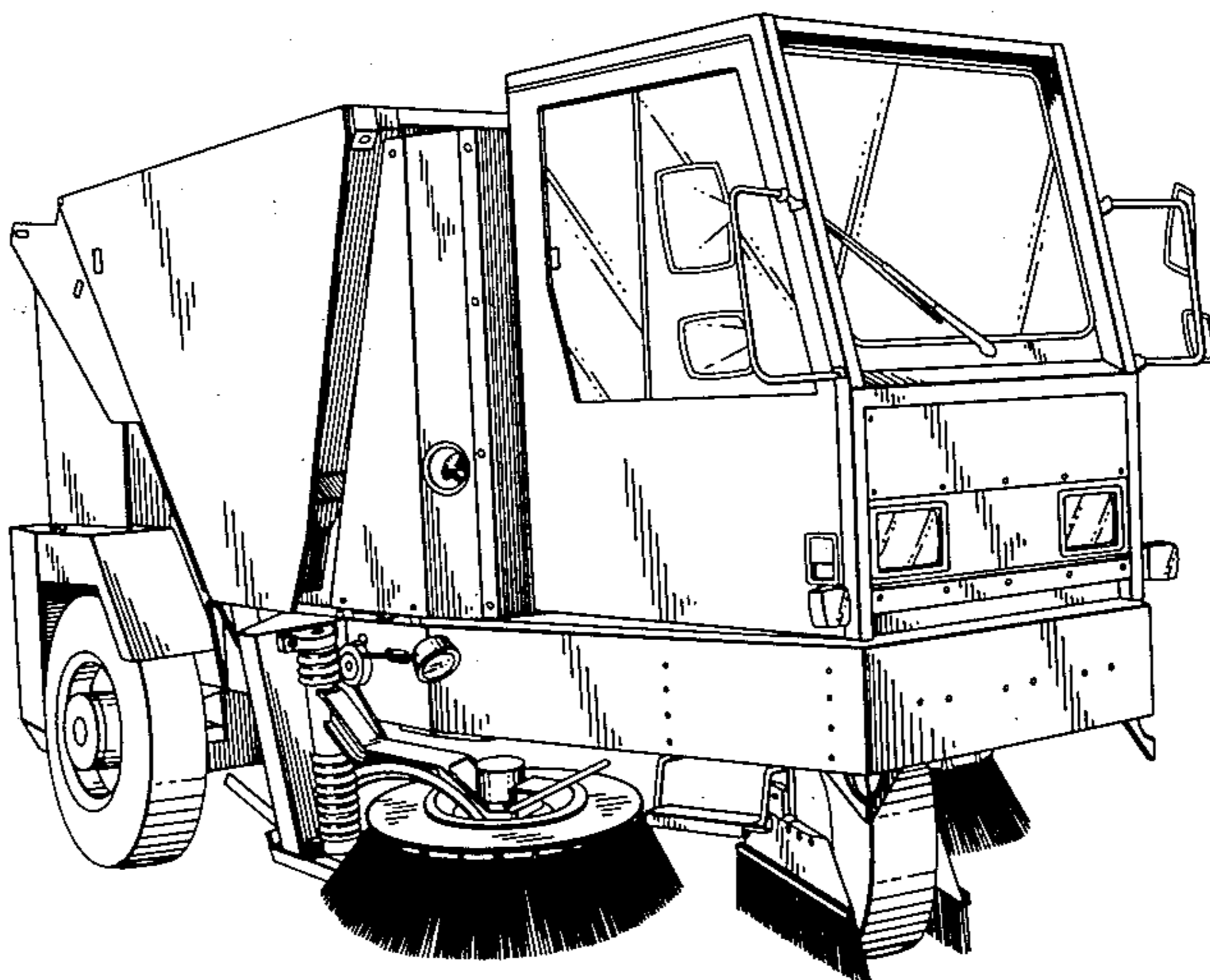


FIG - 1

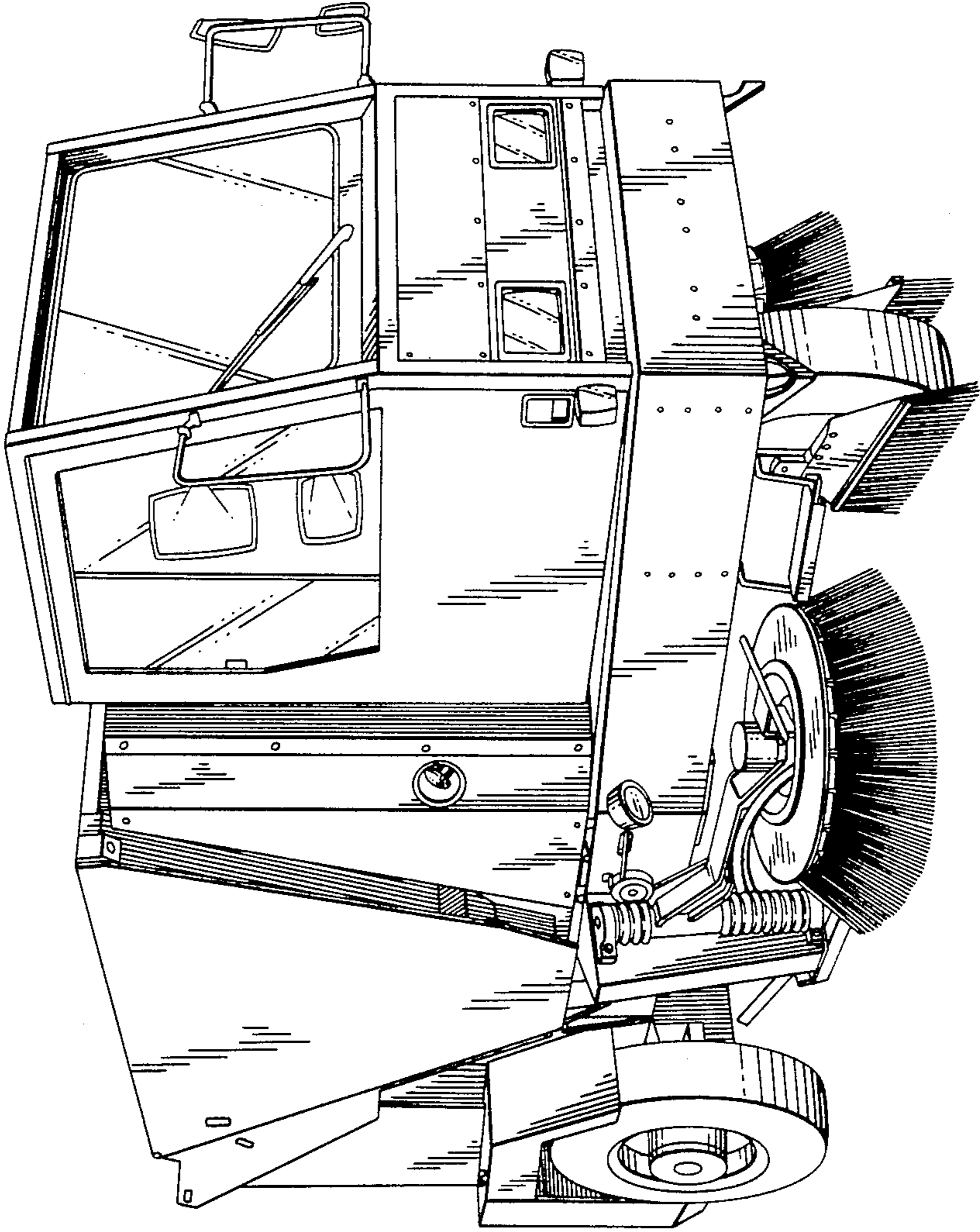


FIG. 2

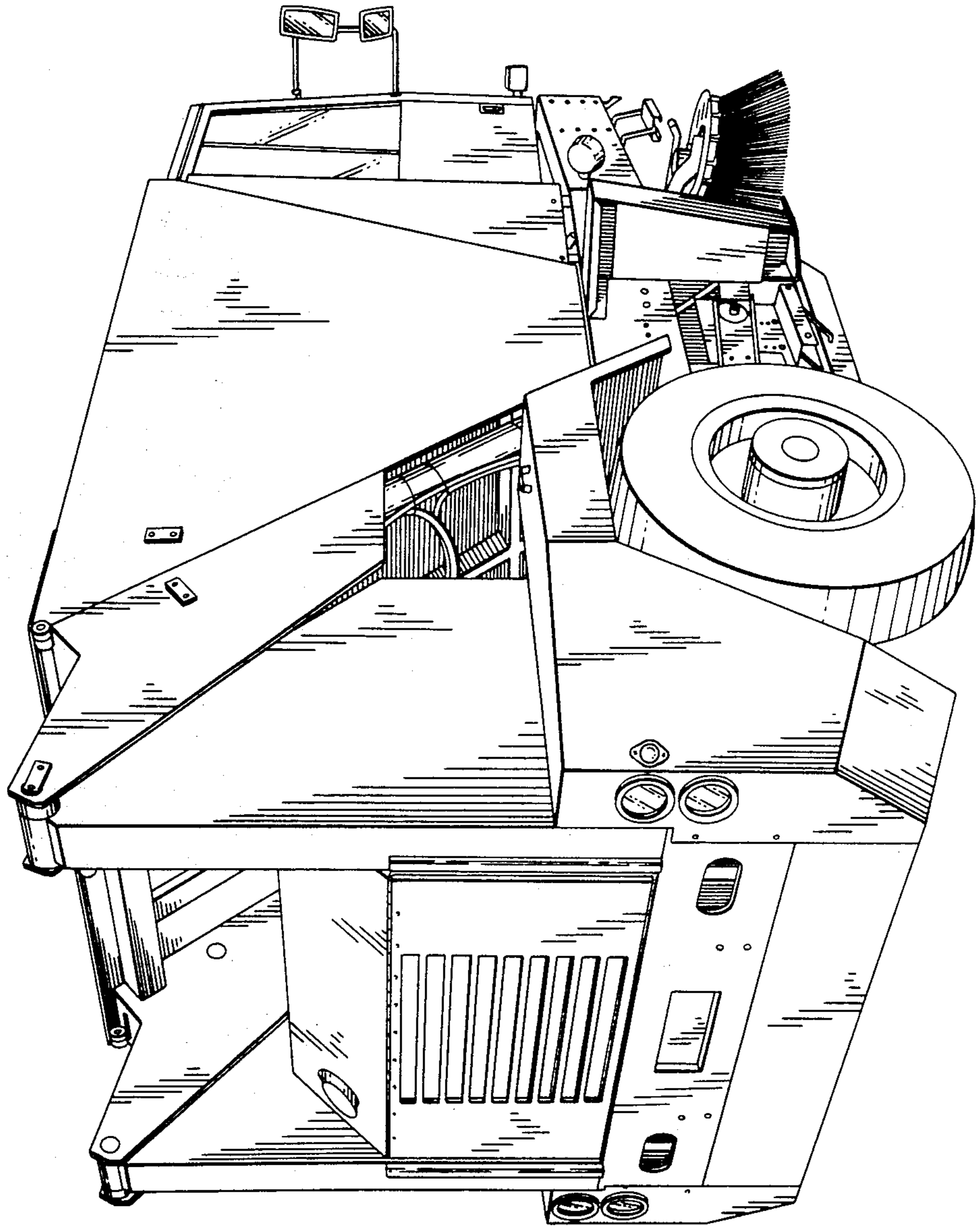


FIG. 3

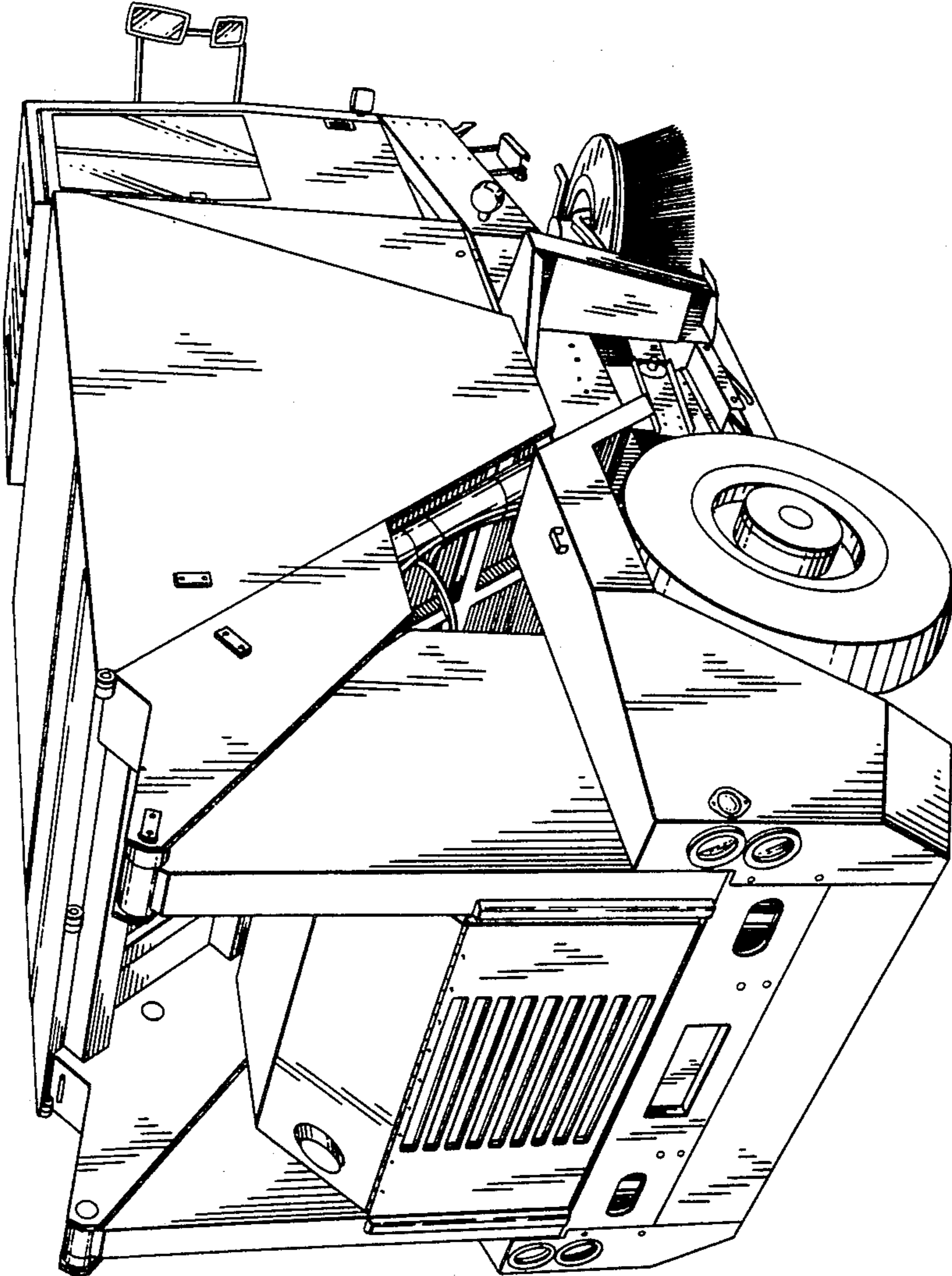


FIG. 4

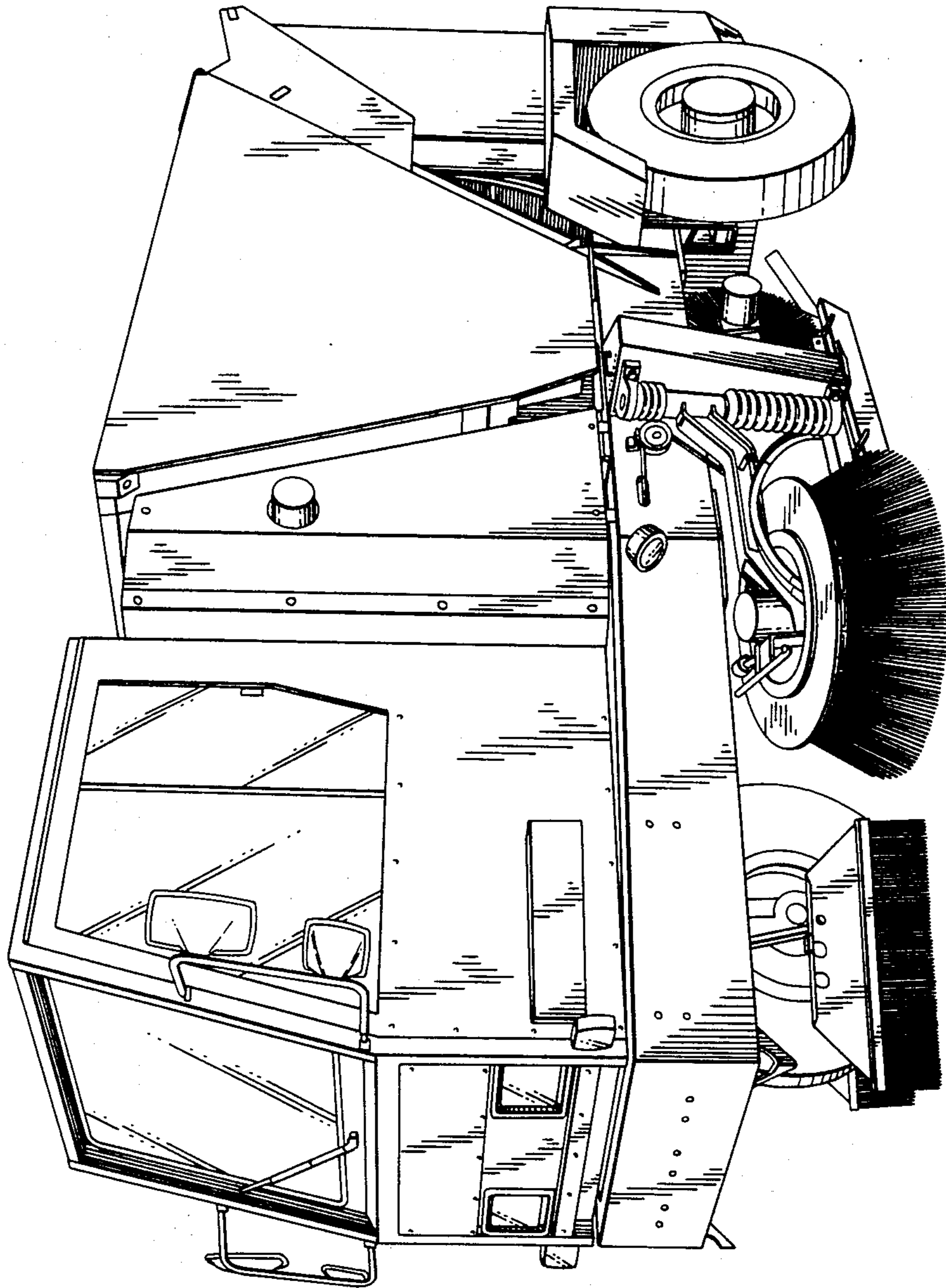


FIG-5

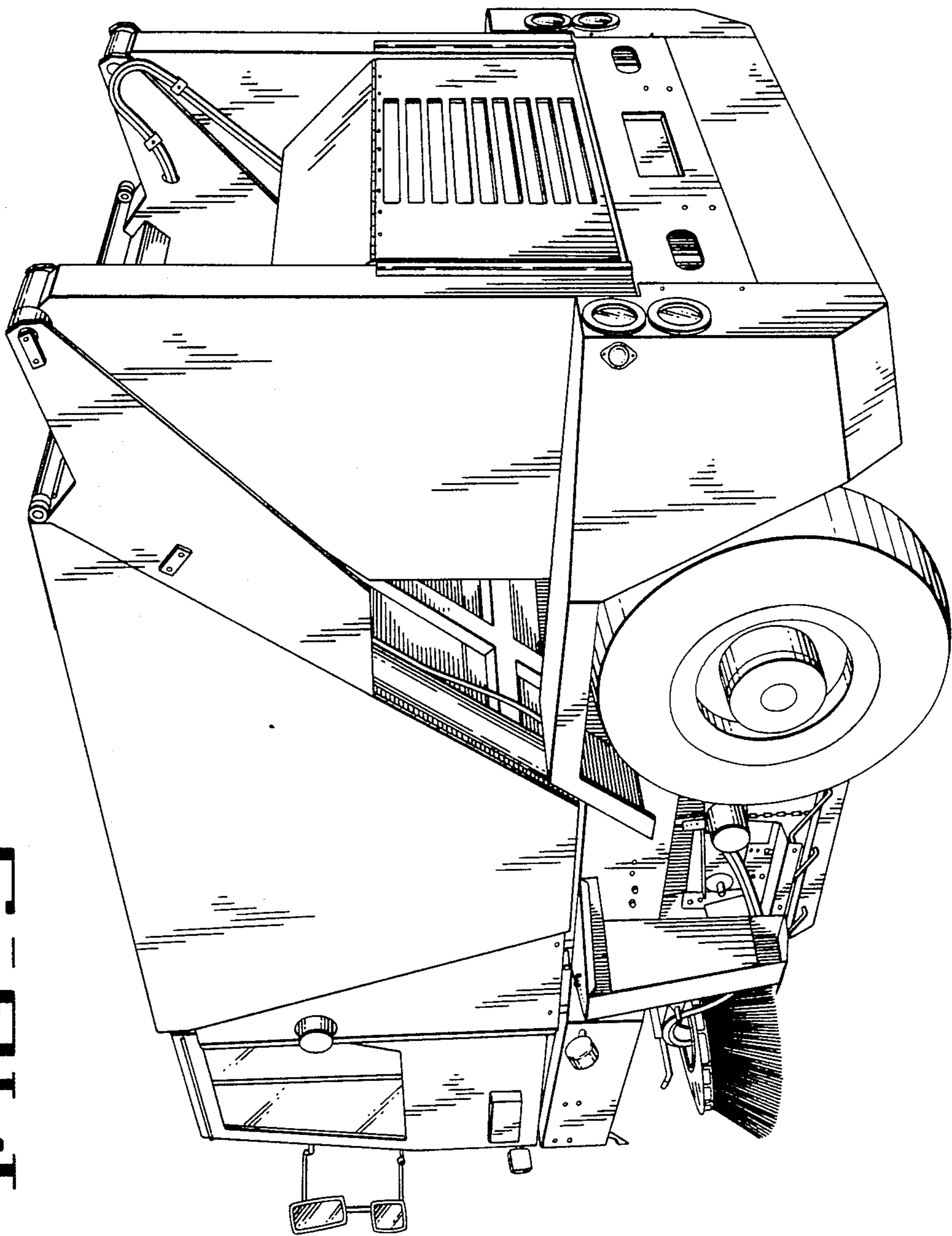


FIG. 6

