

[54] **POWER WASHER**

[76] **Inventor:** Jack Yang, 833 Carillo Dr., San Gabriel, Calif. 91776

[**] **Term:** 14 Years

[21] **Appl. No.:** 478,317

[22] **Filed:** Mar. 24, 1983

[52] **U.S. Cl.** D32/15

[58] **Field of Search** D32/1, 15, 16; D29/4; D13/1-3; 15/320, 340

[56] **References Cited**

U.S. PATENT DOCUMENTS

D. 115,185	6/1939	Clarkson	D32/1
D. 276,472	11/1984	Harrison	D32/16
2,287,873	6/1942	Geertz et al.	D29/4
3,837,539	9/1974	Schlegel	15/327 R
4,210,978	7/1980	Johnson et al.	15/340

OTHER PUBLICATIONS

Industrial Equipment News, Mar. 1980, p. 90, KEW Industries Inc., High Pressure Water Cleaner.

Primary Examiner—Wallace R. Burke

Assistant Examiner—Lynn Wilder

Attorney, Agent, or Firm—Singer & Singer

[57] **CLAIM**

The ornamental design for a power washer, substantially as shown.

DESCRIPTION

FIG. 1 is a perspective view of a power washer showing my new design;

FIG. 2 is a right side elevational view thereof;

FIG. 3 is a front elevational view thereof;

FIG. 4 is a rear elevational view thereof;

FIG. 5 is a left side elevational view thereof;

FIG. 6 is a top plan view thereof; and

FIG. 7 is a bottom plan view thereof.

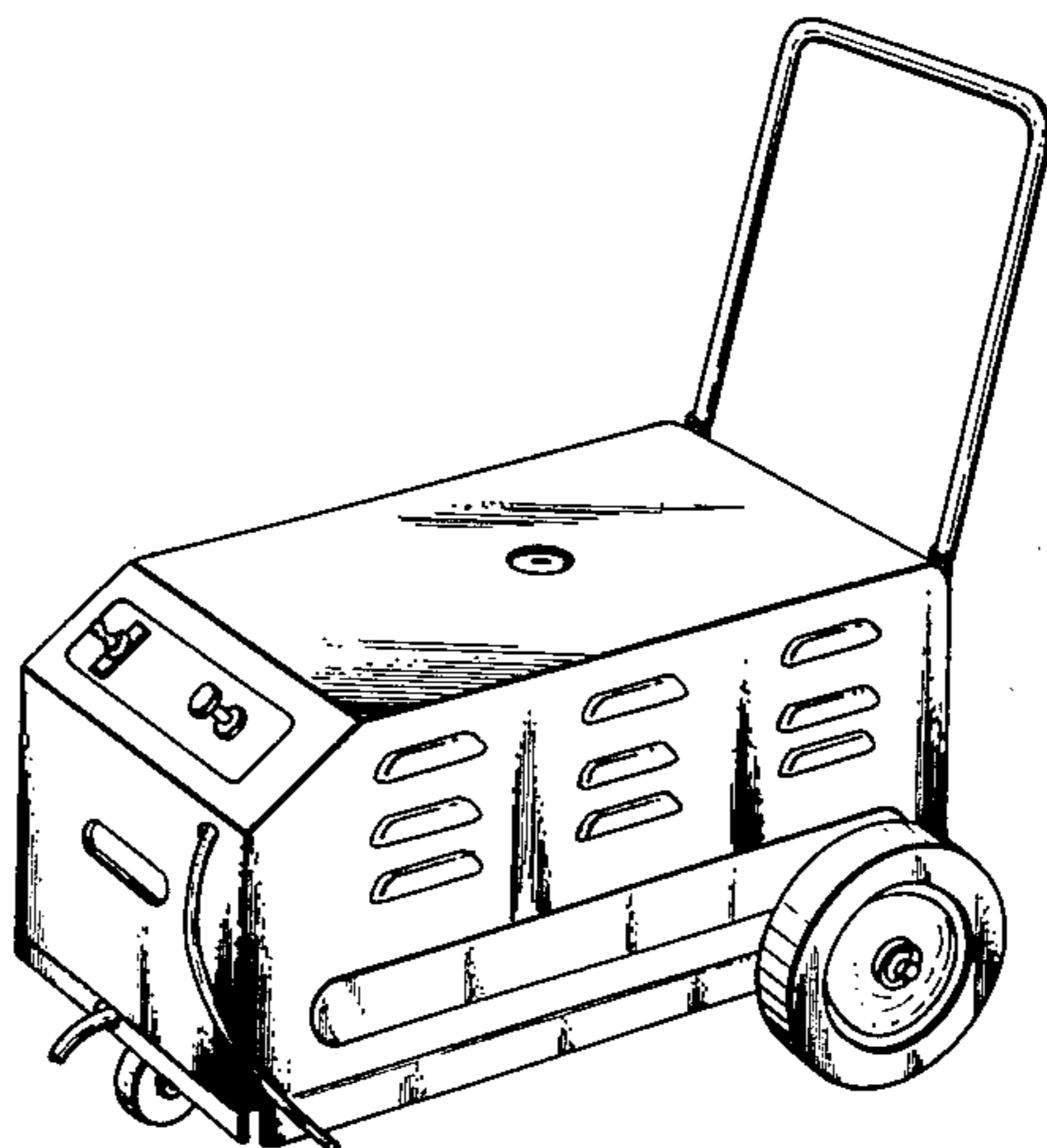


Fig. 1.

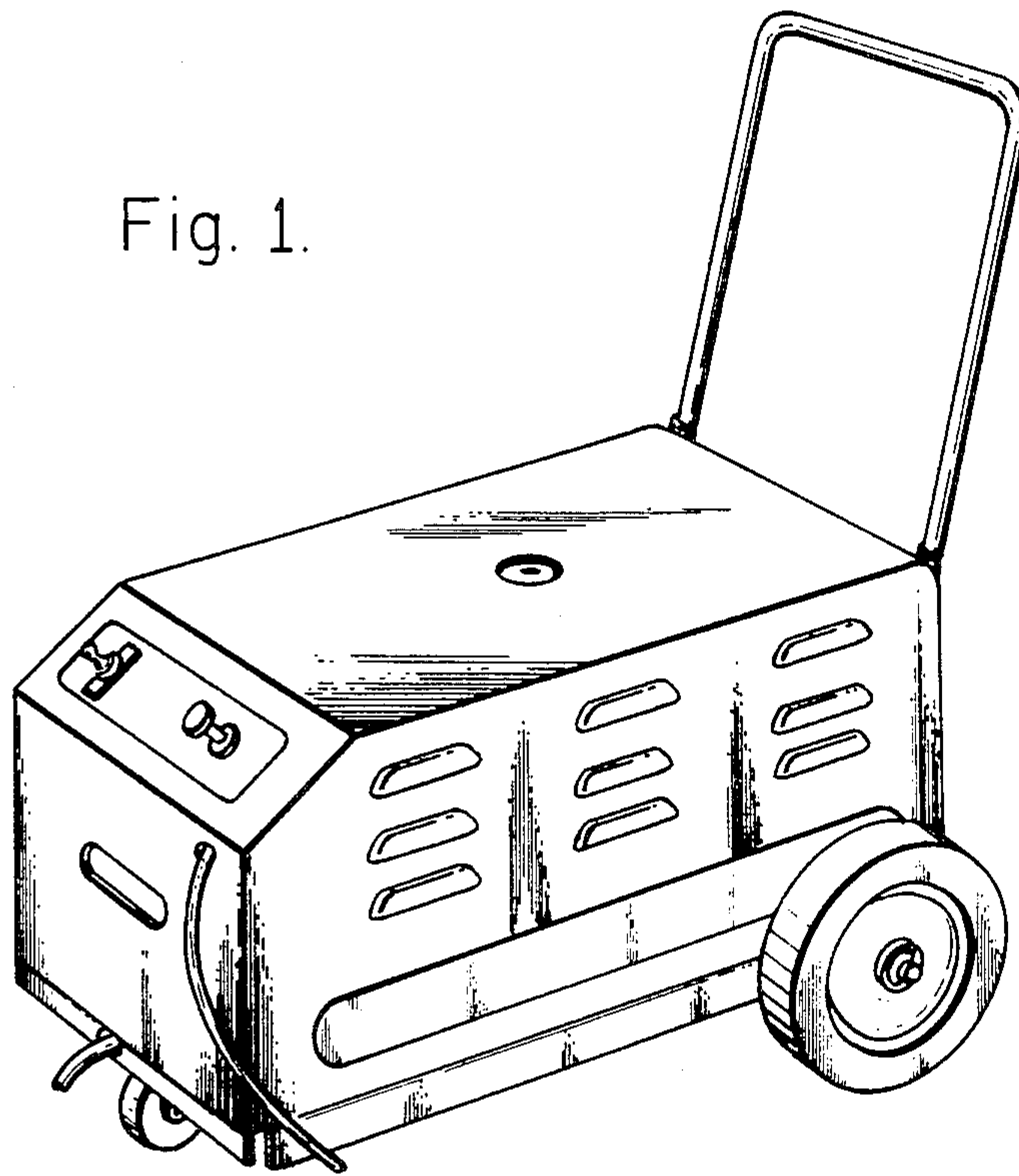


Fig. 2.

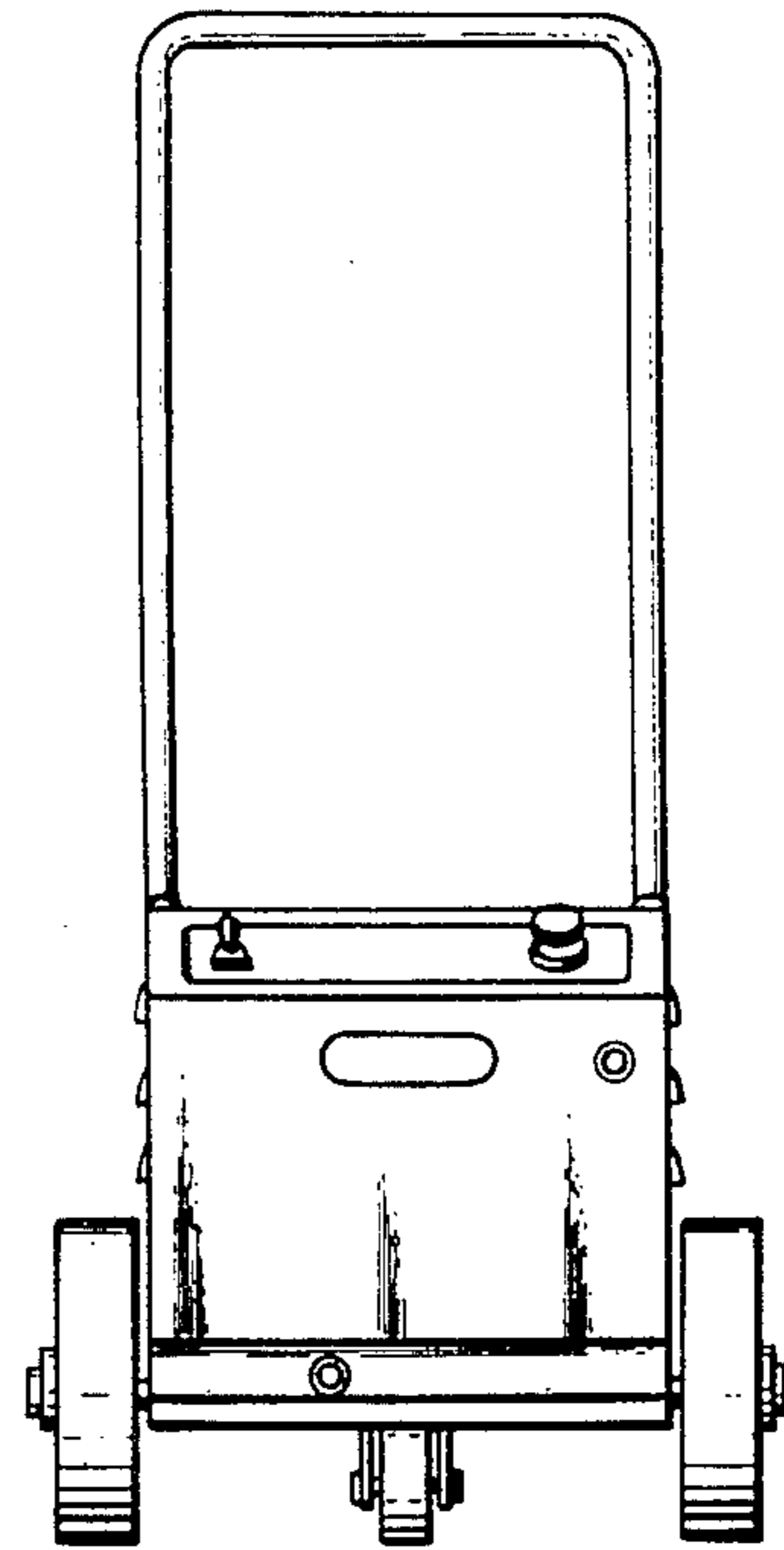
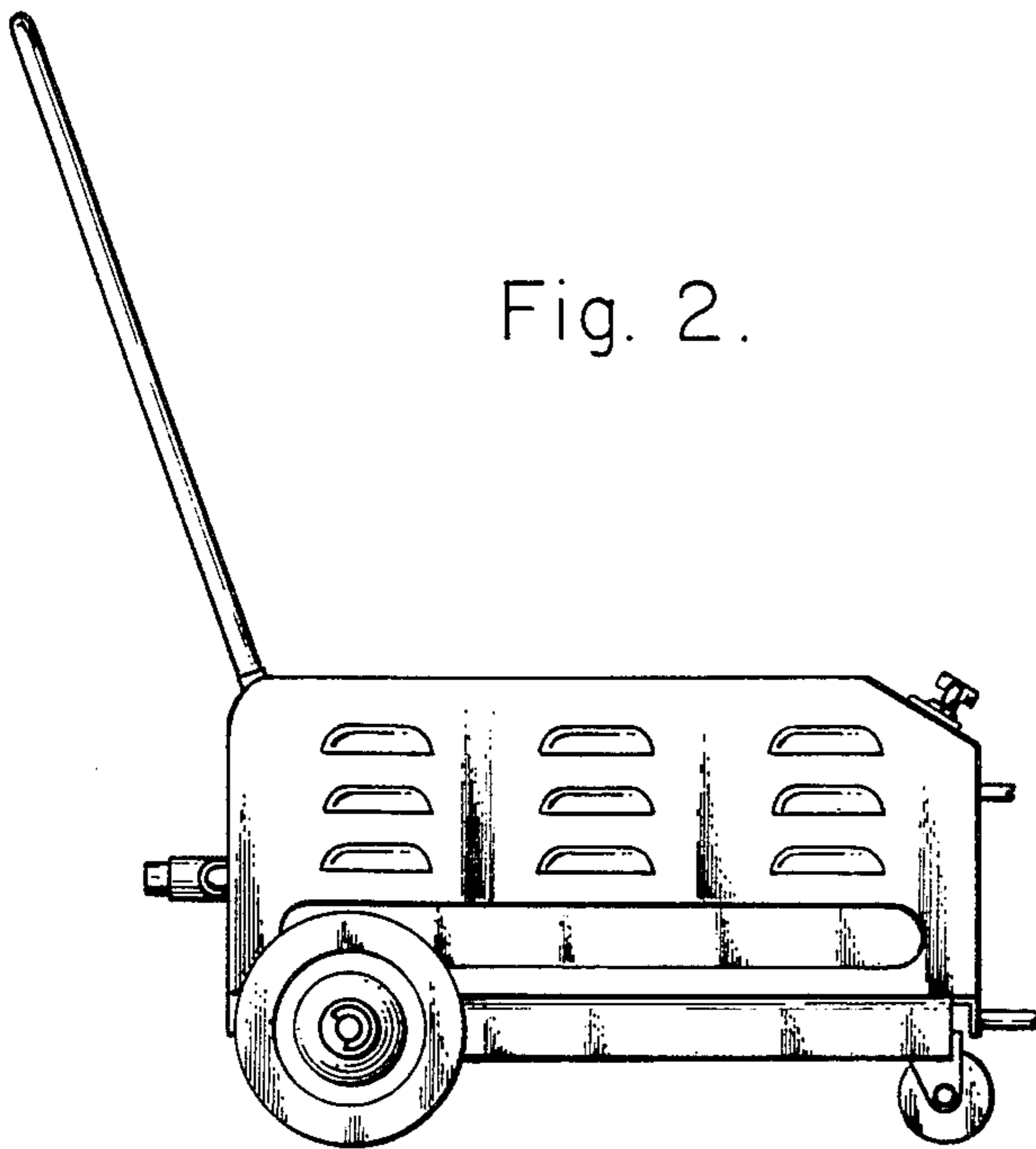


Fig. 3

Fig. 4.

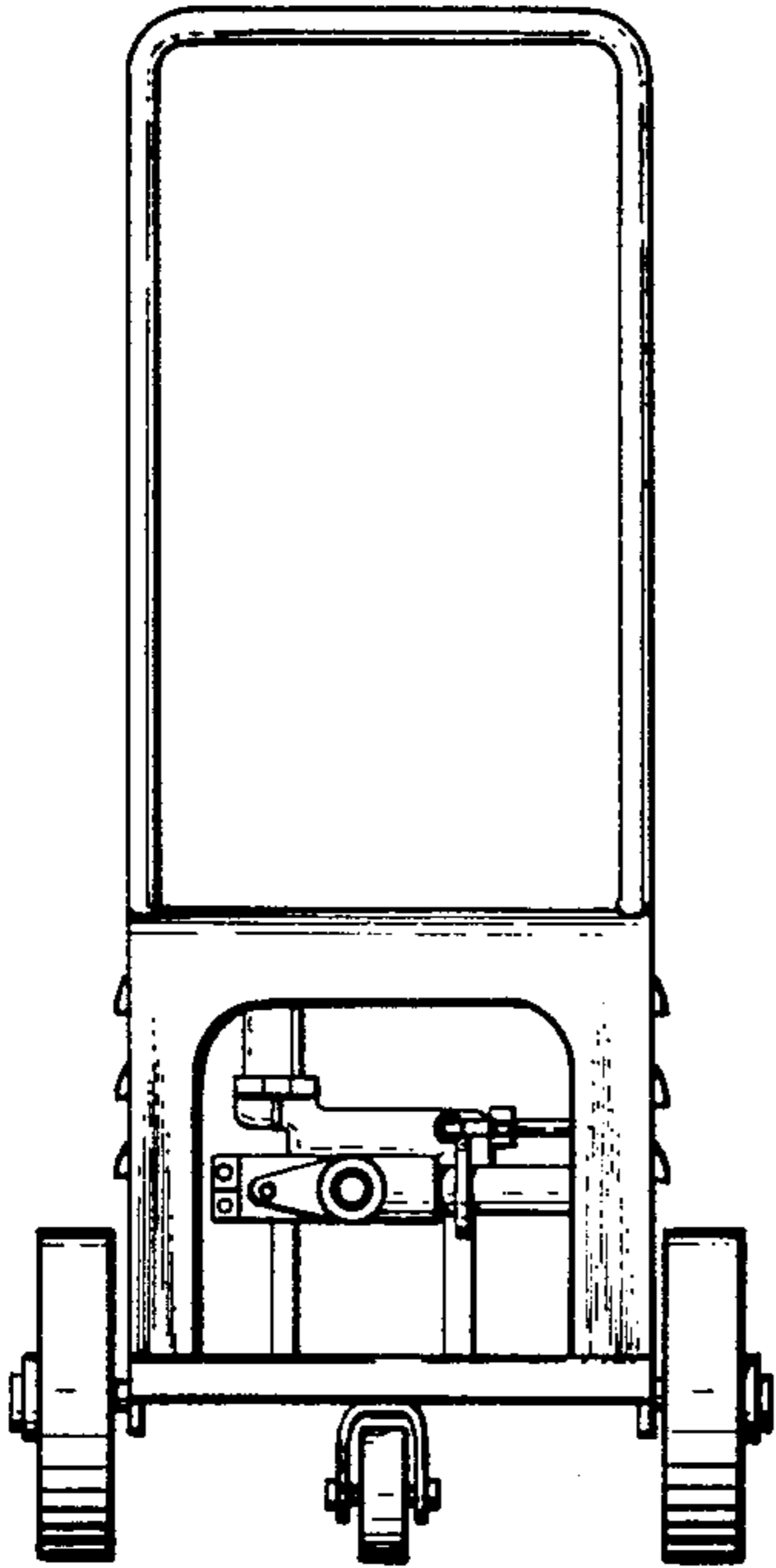


Fig. 5.

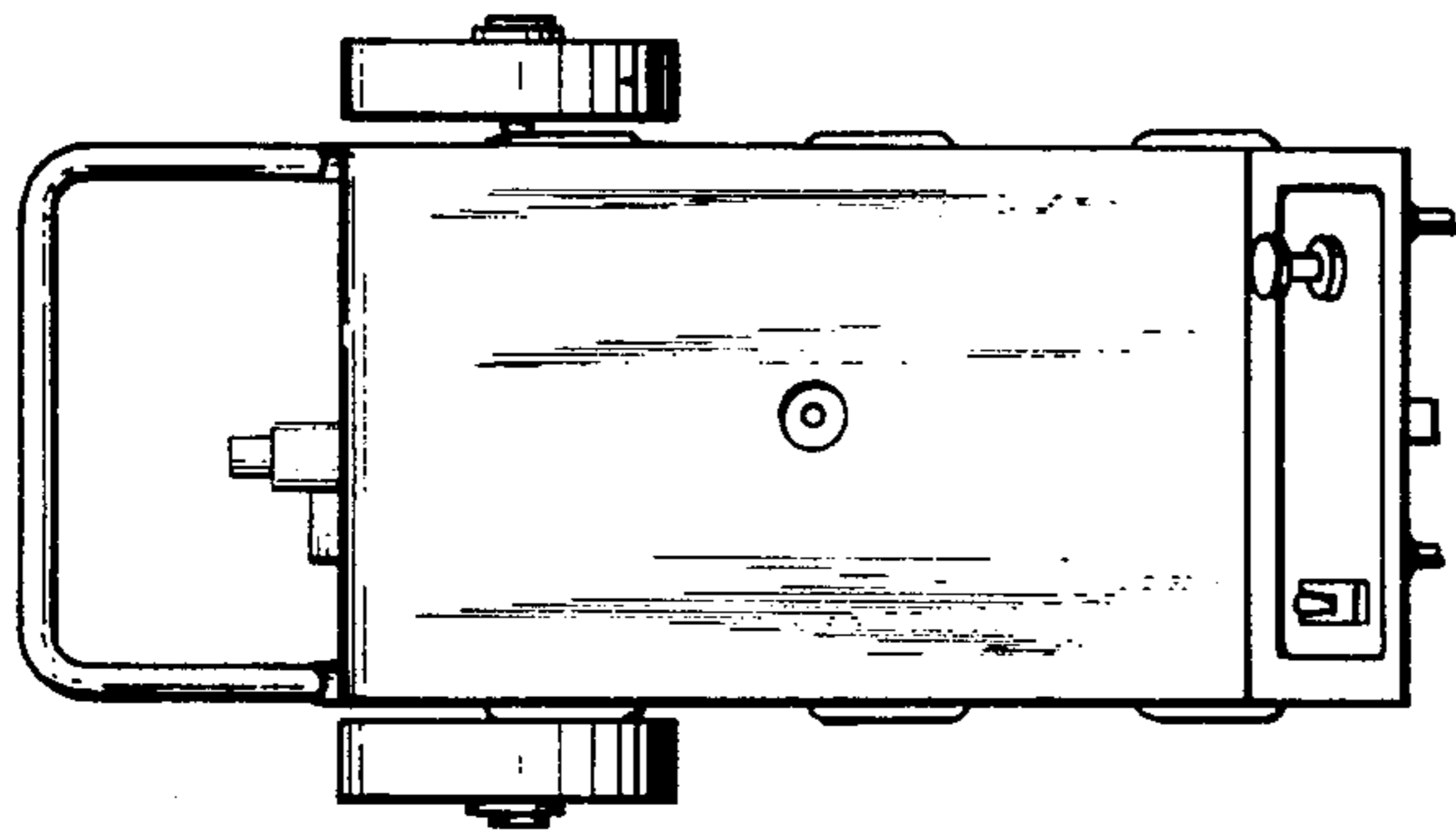
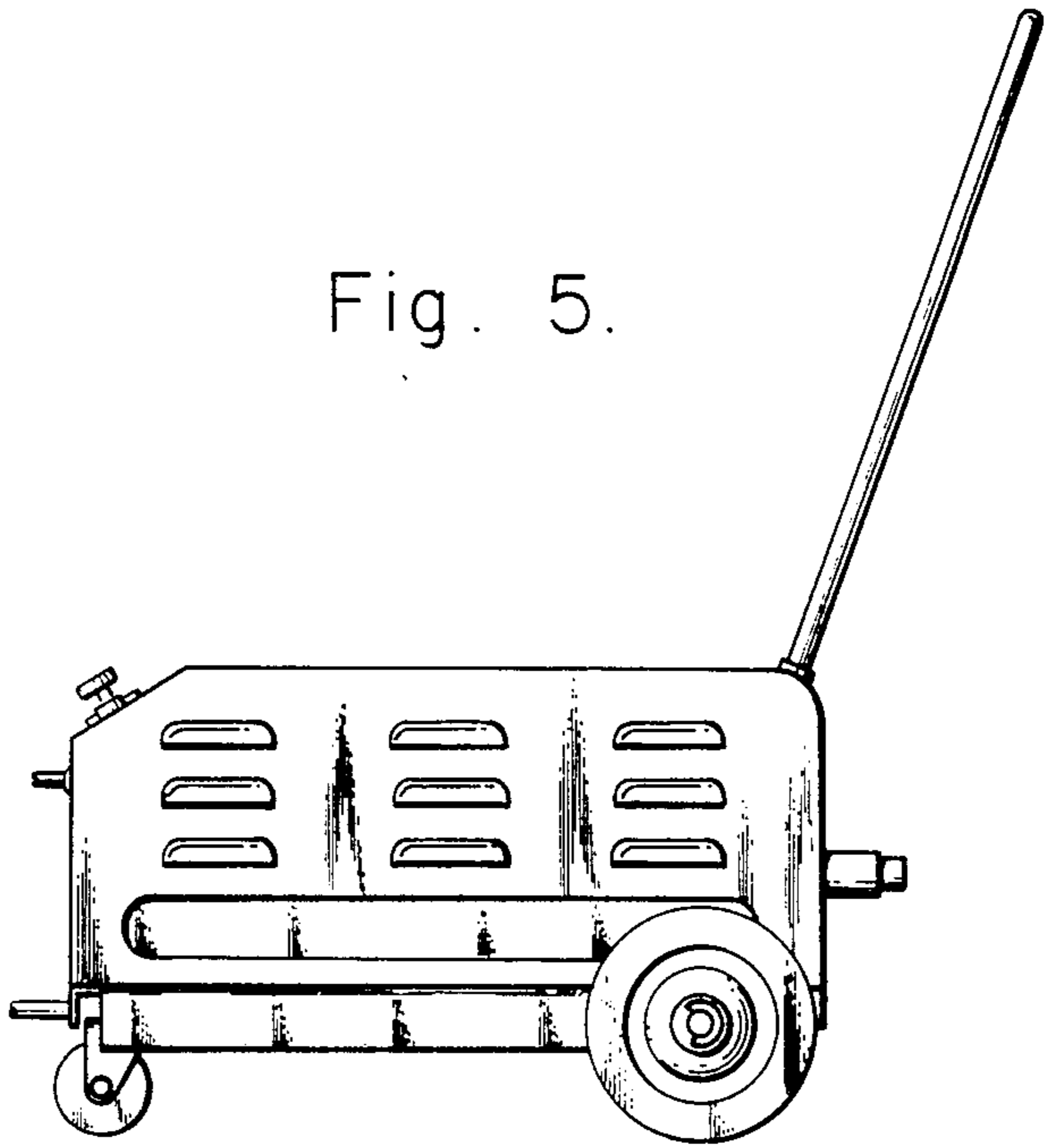


Fig. 6.

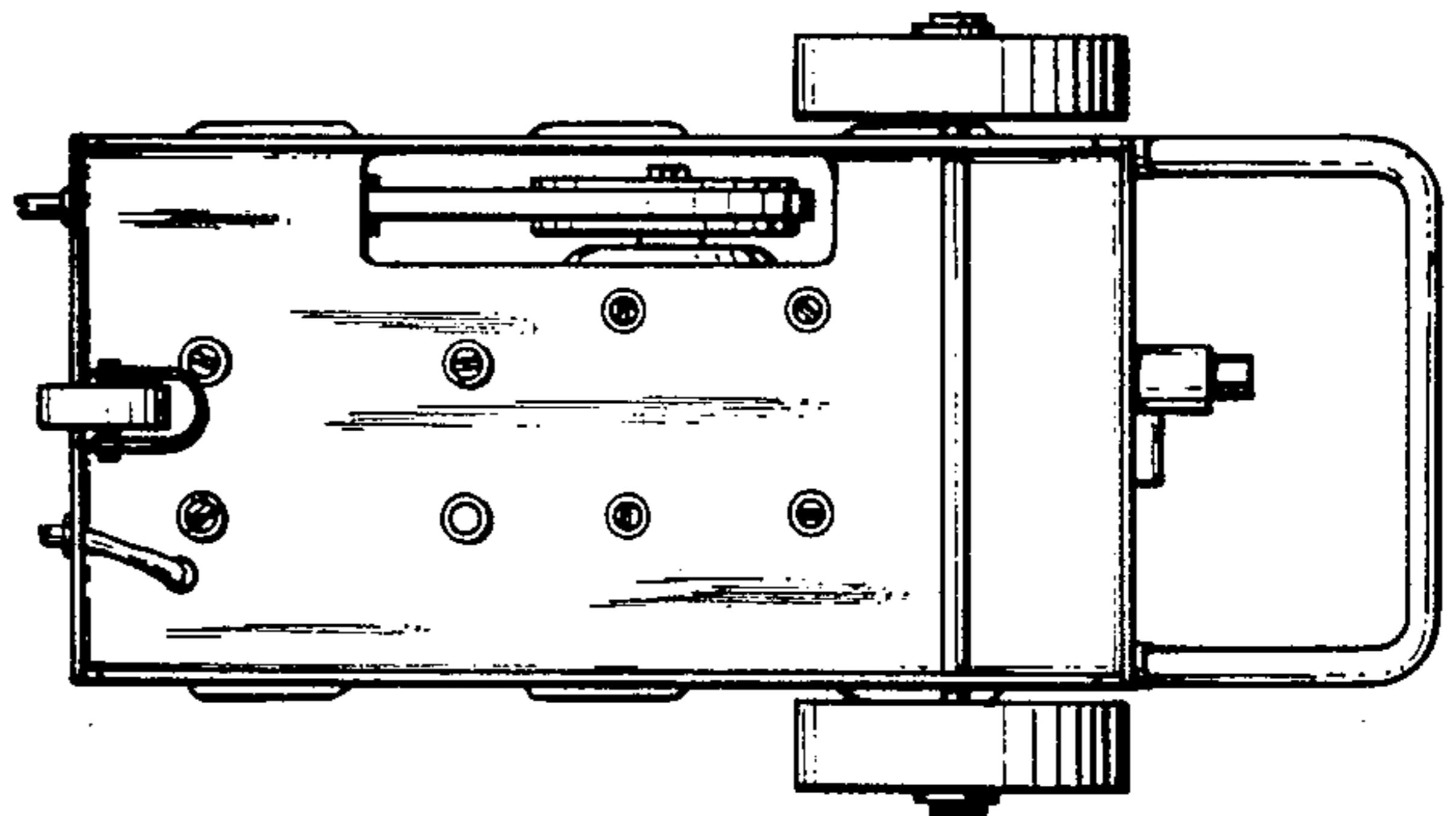


Fig. 7.