

[54] HAIRSETTER

[75] Inventor: Carl Yurdin, Port Washington, N.Y.

[73] Assignee: Clairol Incorporated, New York, N.Y.

[\*\*] Term: 14 Years

[21] Appl. No.: 536,486

[22] Filed: Sep. 28, 1983

[52] U.S. Cl. .... D28/38; D3/73

[58] Field of Search ..... D28/9, 10, 13, 15, 35, D28/38; D3/73, 39; D6/308; 219/222; 132/9

[56] References Cited

U.S. PATENT DOCUMENTS

D. 217,202	4/1970	Moffatt	.....	D28/38
D. 218,266	8/1970	Belokin, Jr.	.....	D3/73 X
D. 220,895	6/1971	Wolfe	.....	D3/73
D. 245,479	8/1977	Malcolm	.....	D3/73
D. 272,663	2/1984	Forsberg	.....	D28/38
4,516,011	5/1985	Jeffress et al.	.....	132/9 X

OTHER PUBLICATIONS

HFD-Retailing Home Furnishings, 5/11/81, p. 39--GE's Speedletter.

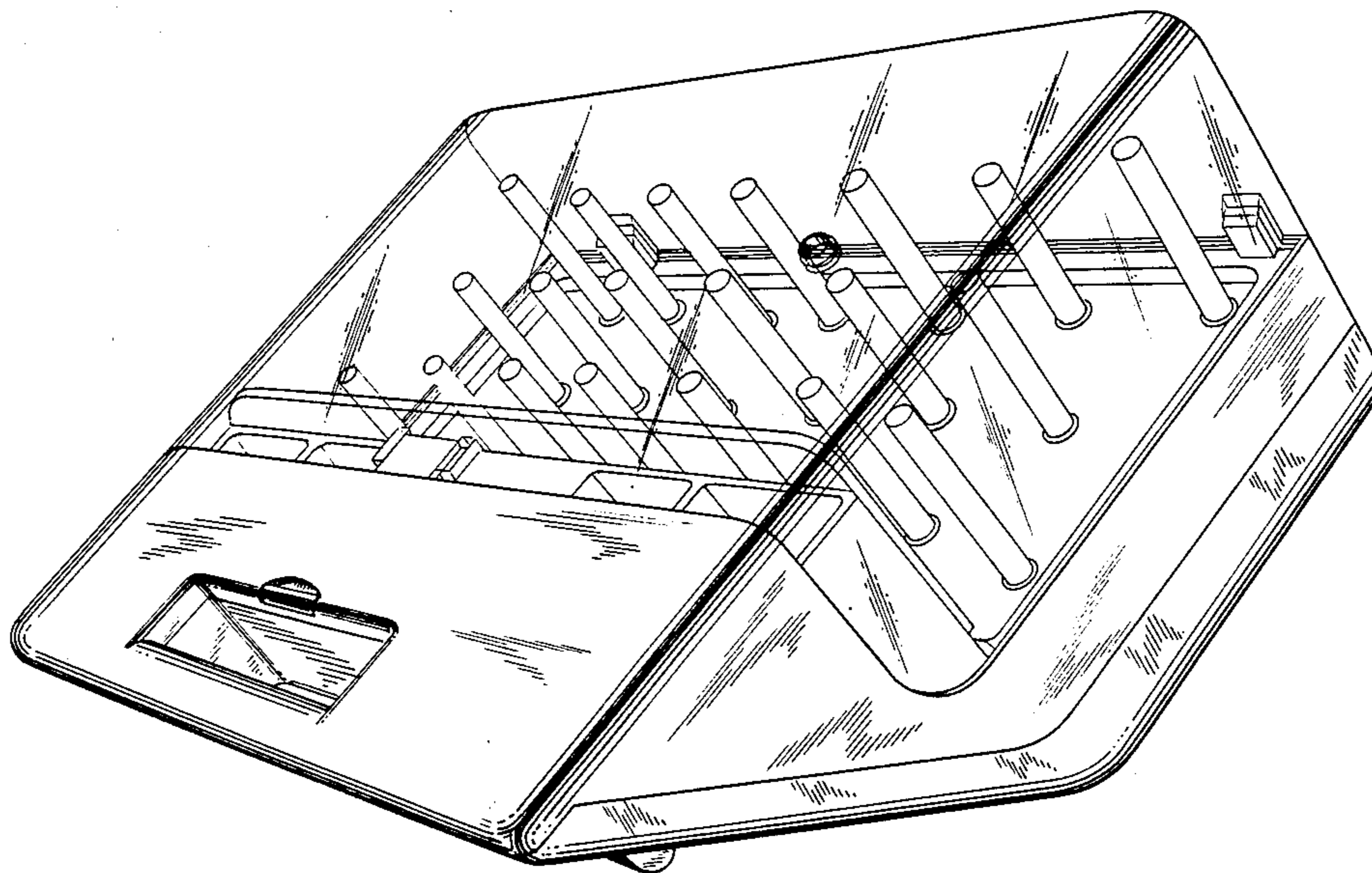
Primary Examiner—Louis S. Zarfes  
Attorney, Agent, or Firm—John J. Balsler

[57] CLAIM

The ornamental design for a hairsetter, as shown and described.

DESCRIPTION

FIG. 1 is a top perspective view of a hairsetter showing my new design;  
 FIG. 2 is a side elevational view thereof;  
 FIG. 3 is a top plan view thereof taken along lines 3—3 of FIG. 2;  
 FIG. 4 is a front elevational view thereof taken along lines 4—4 of FIG. 2;  
 FIG. 5 is a rear elevational view thereof taken along lines 5—5 of FIG. 2; and  
 FIG. 6 is a bottom plan view thereof taken along lines 6—6 of FIG. 2.



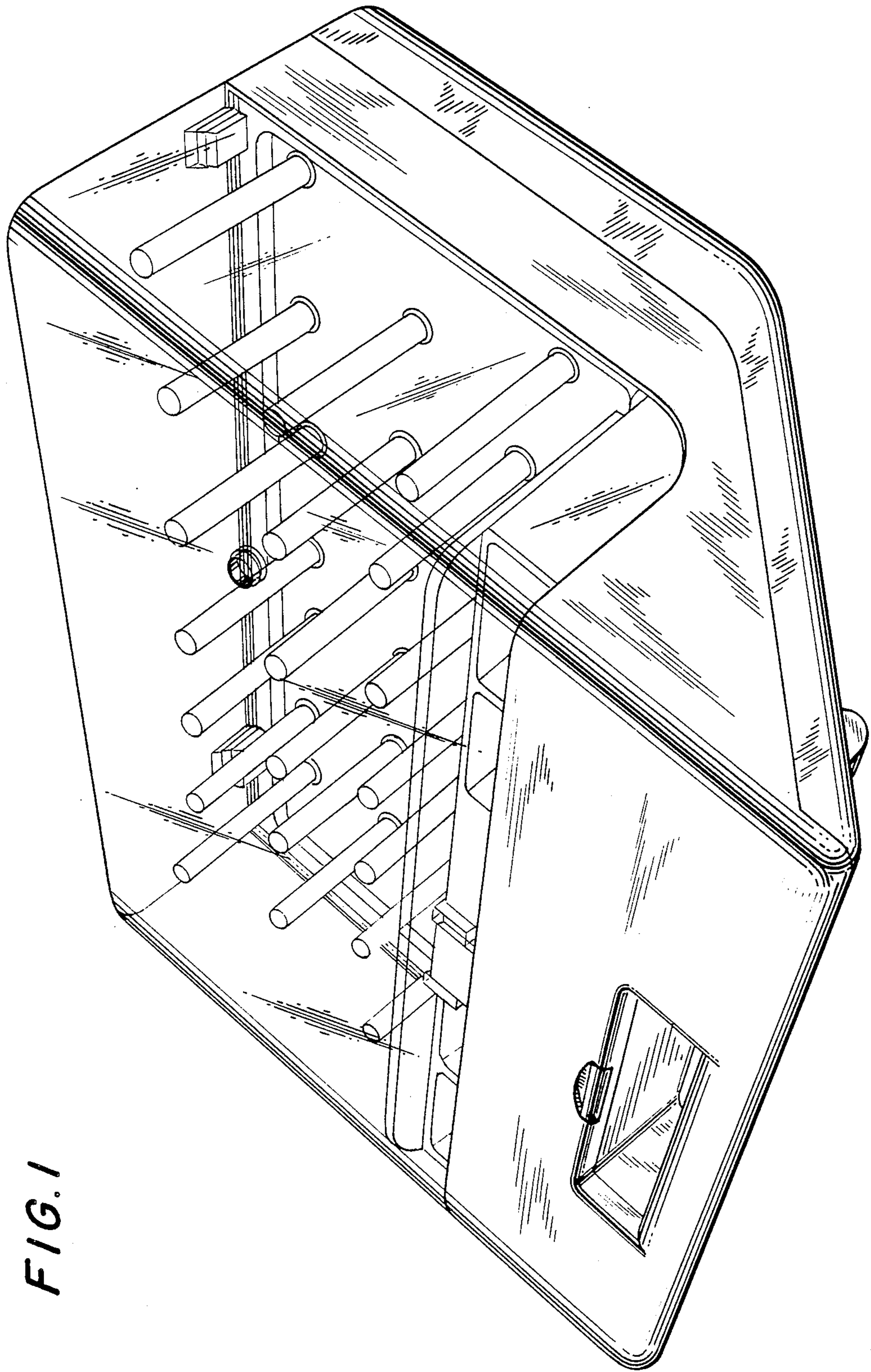


FIG. 1

FIG. 2

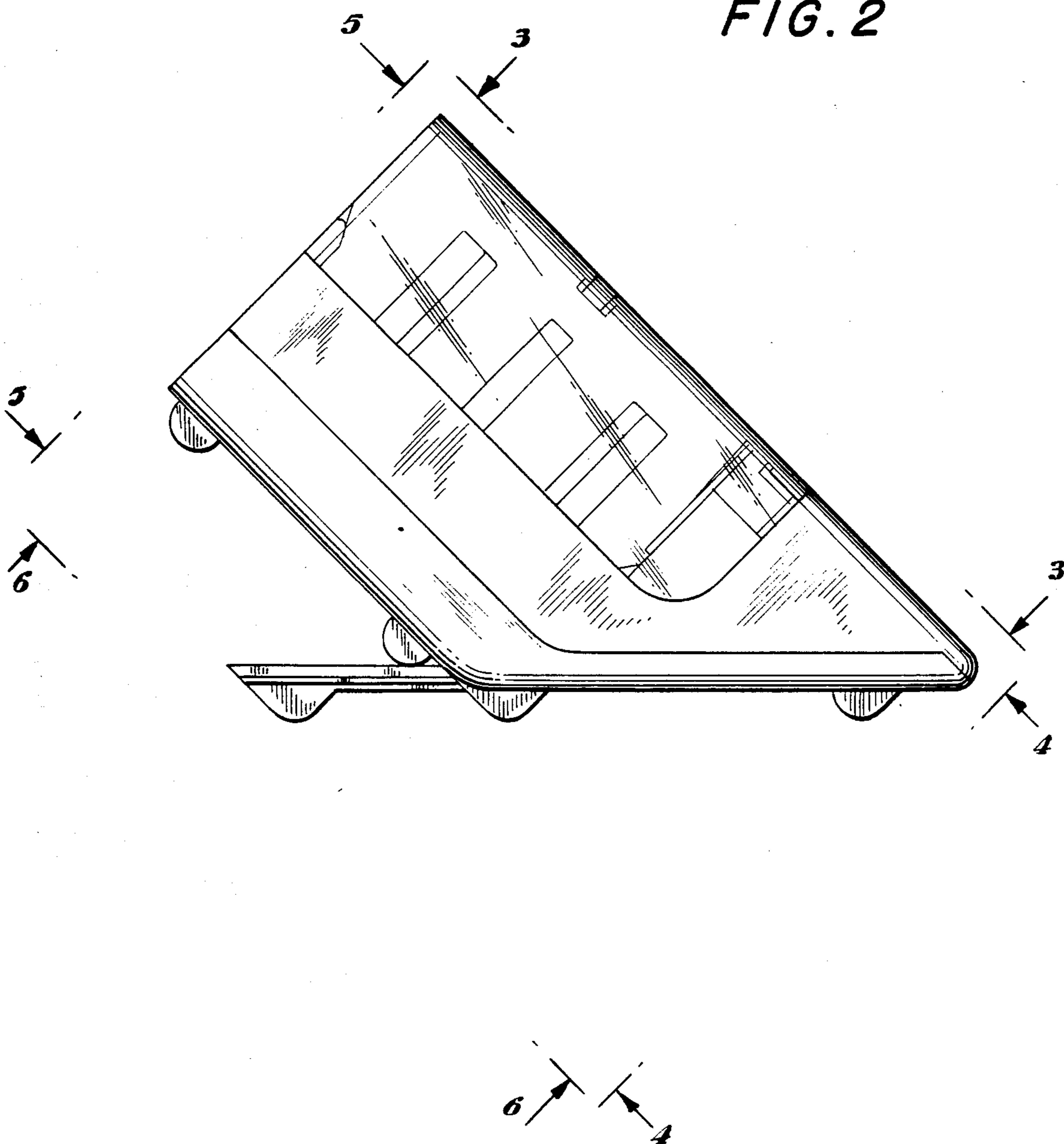


FIG. 3

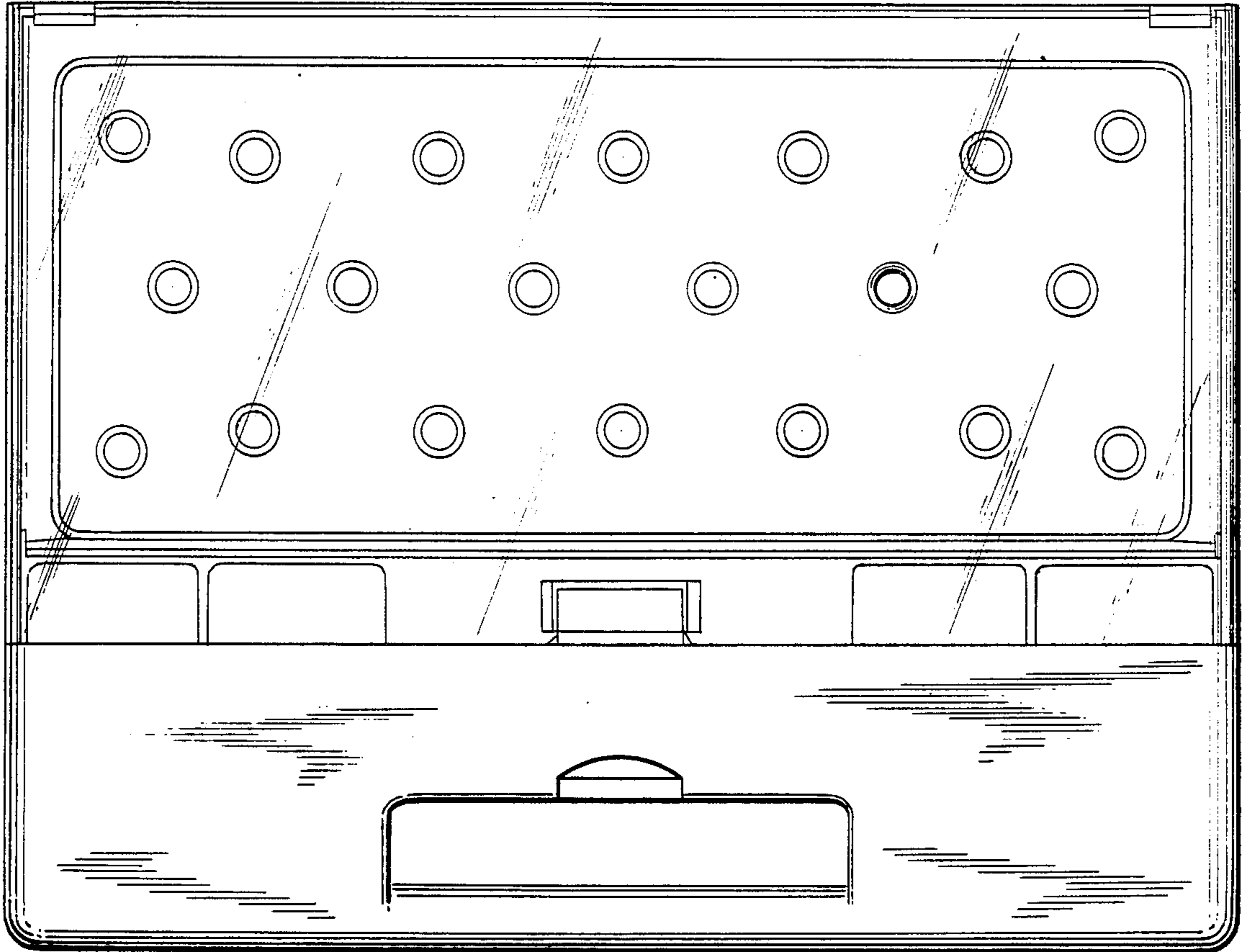


FIG. 4

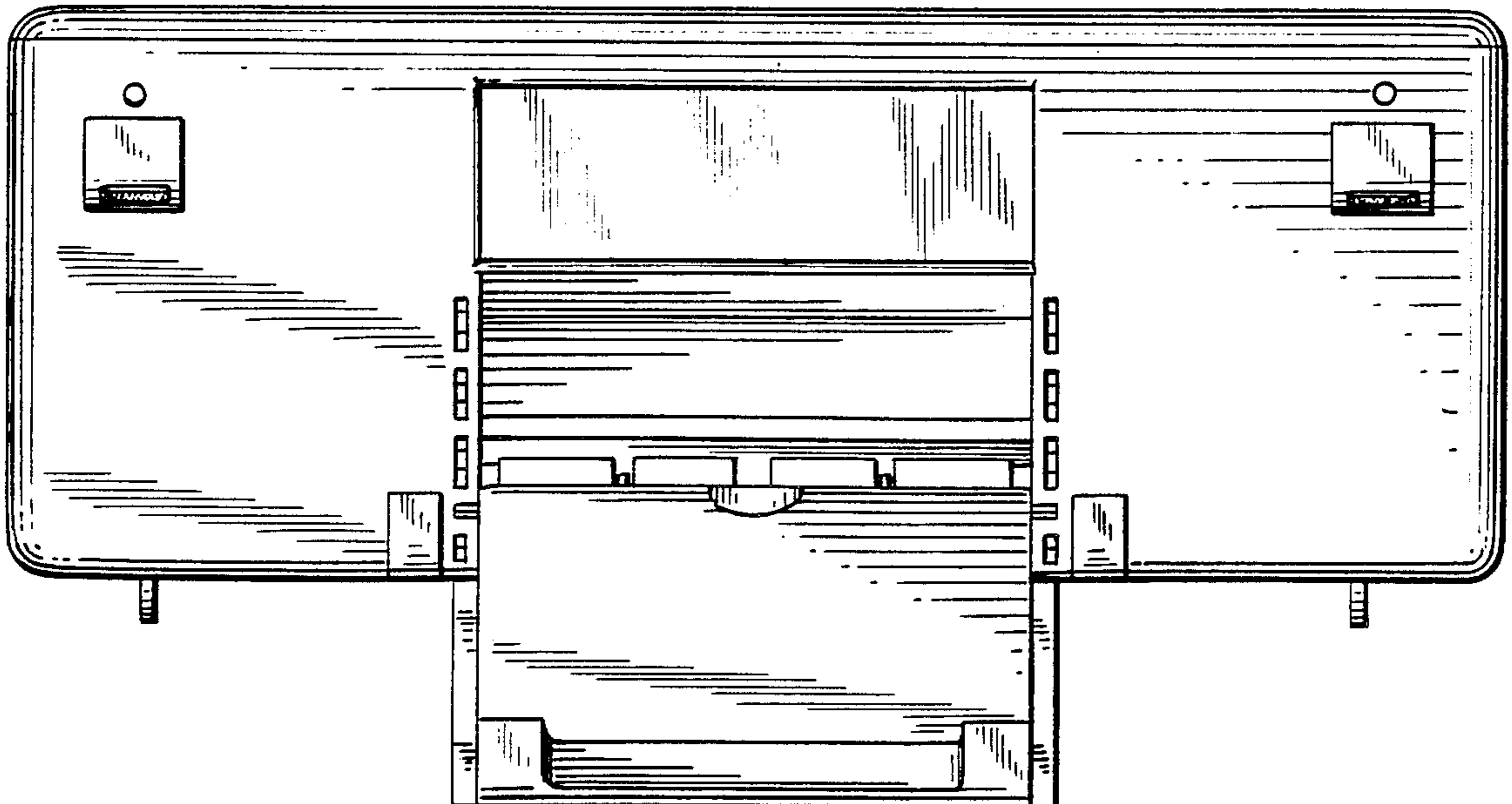


FIG. 5

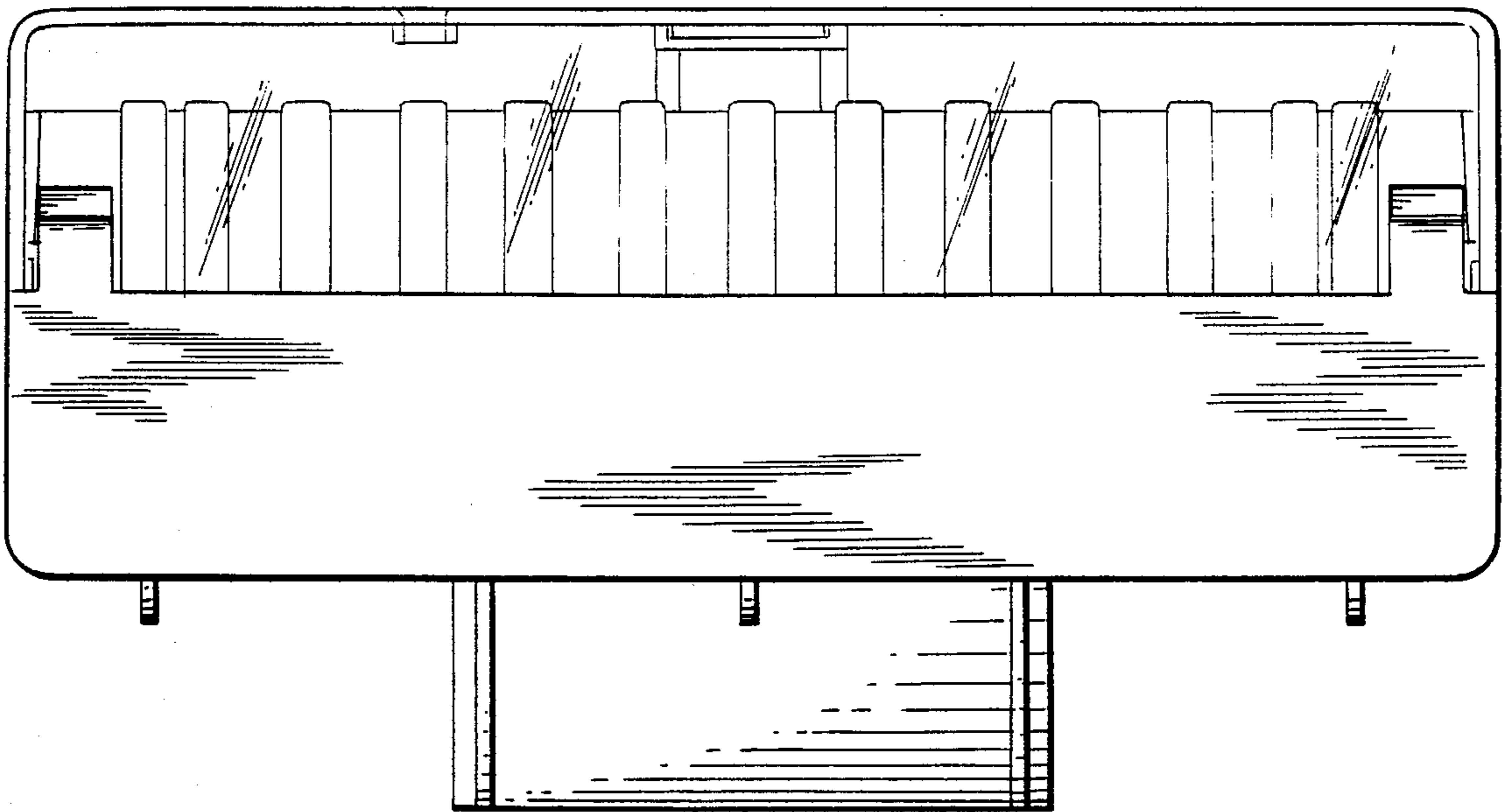


FIG. 6

