

[54] **BUILDING BLOCK**

[76] Inventor: **Jose C. dos Santos**, Estrada dos Arneiros, 46-1° Dto., Lisboa, Portugal

[**] Term: **14 Years**

[21] Appl. No.: **463,477**

[22] Filed: **Feb. 3, 1983**

[30] **Foreign Application Priority Data**

Aug. 3, 1982 [PT]	Portugal	15961
Aug. 3, 1982 [PT]	Portugal	15962
Aug. 3, 1982 [PT]	Portugal	15965
Aug. 3, 1982 [PT]	Portugal	15967

[52] U.S. Cl. **D25/88; D25/80; D25/91**

[58] Field of Search **D25/80-96; 52/594, 595, 605, 606, 569, 570, 405**

[56] **References Cited**

U.S. PATENT DOCUMENTS

1,378,735	5/1921	Talbot	52/595
1,886,404	11/1932	Kipple	52/606 X
2,047,882	7/1936	McPherson	52/606 X
2,205,419	6/1940	Kraemer	52/594
2,749,739	6/1956	Zagray	52/595 X

FOREIGN PATENT DOCUMENTS

573944	3/1958	Italy	52/594
--------	--------	-------	--------

Primary Examiner—A. Hugo Word

Attorney, Agent, or Firm—Birch, Stewart, Kolasch & Birch

[57] **CLAIM**

The ornamental design for a building block, as shown and described.

DESCRIPTION

FIG. 1 is a front perspective view of one embodiment of the building block;

FIG. 2 is a left side elevational view thereof;

FIG. 3 is a top plan view thereof;

FIG. 4 is a front perspective view of another embodiment of the building block;

FIG. 5 is a rear perspective view of the building block of FIG. 4;

FIG. 6 is a left side elevational view of the building block of FIG. 4;

FIG. 7 is a top plan view of the building block of FIG. 4;

FIG. 8 is a front perspective view of another embodiment of the building block;

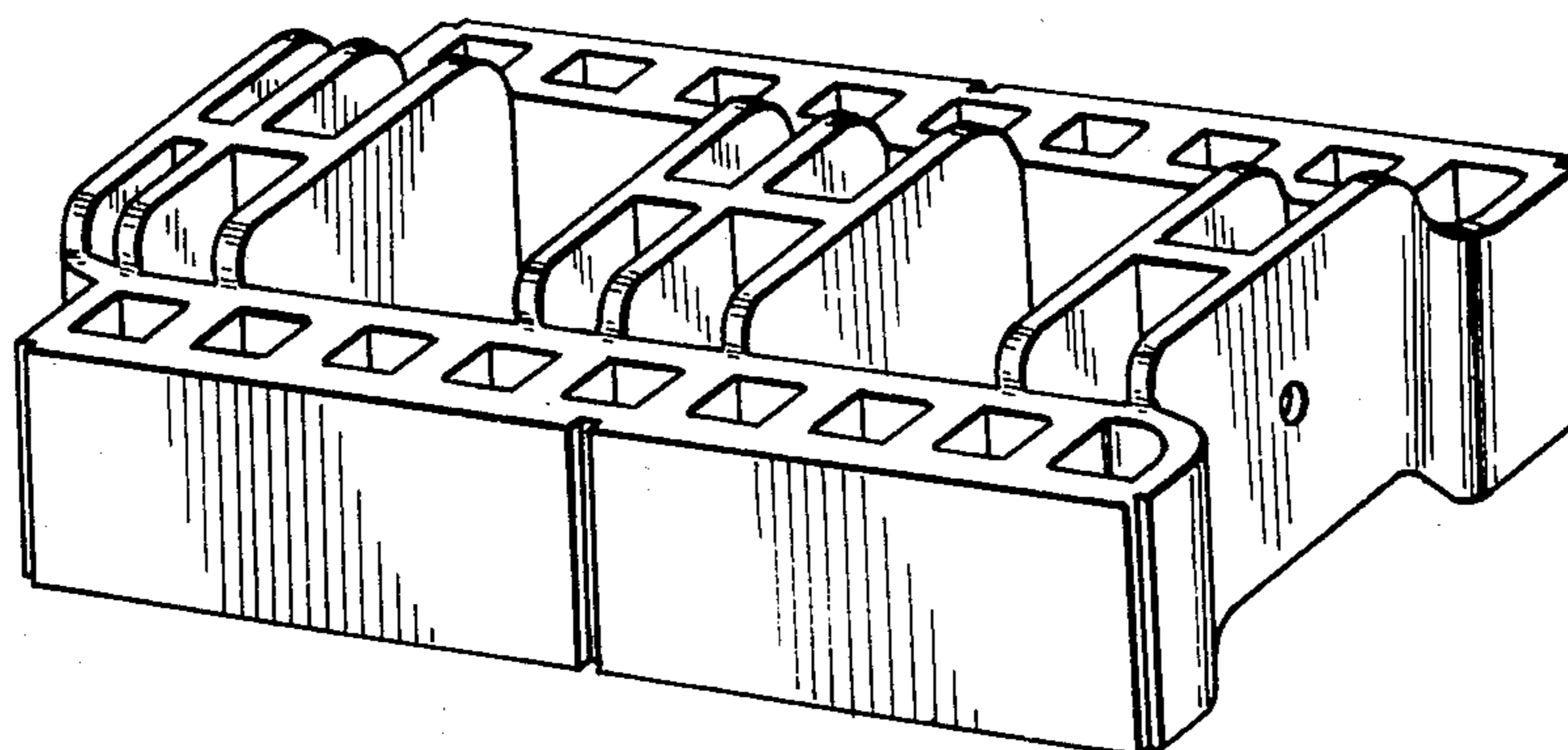
FIG. 9 is a left side elevational view of the building block of FIG. 8;

FIG. 10 is a top plan view of the building block of FIG. 8;

FIG. 11 is a front perspective view of another embodiment of the building block;

FIG. 12 is a left side elevational view of the building block of FIG. 11; and

FIG. 13 is a top plan view of the building block of FIG. 11.



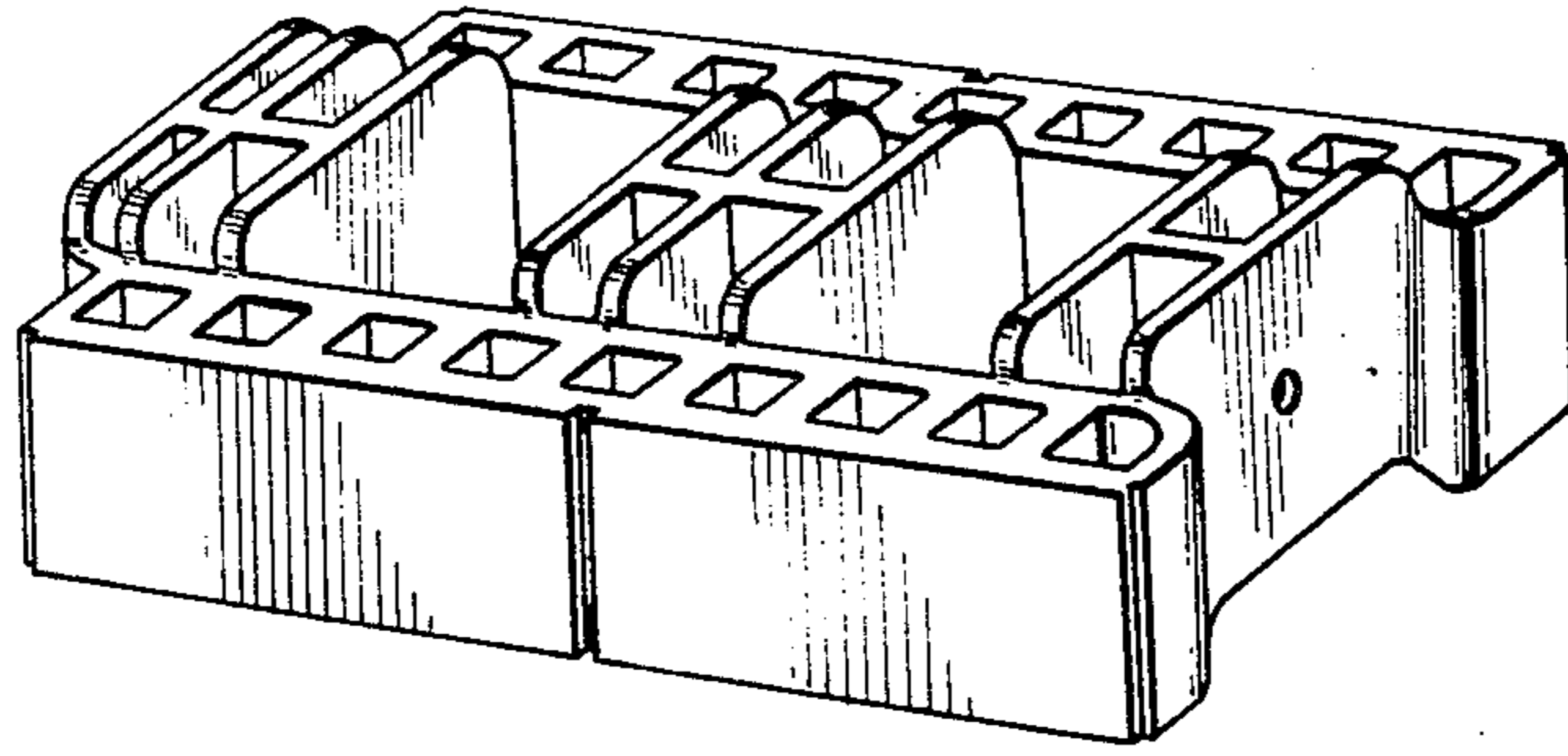


FIG. 1

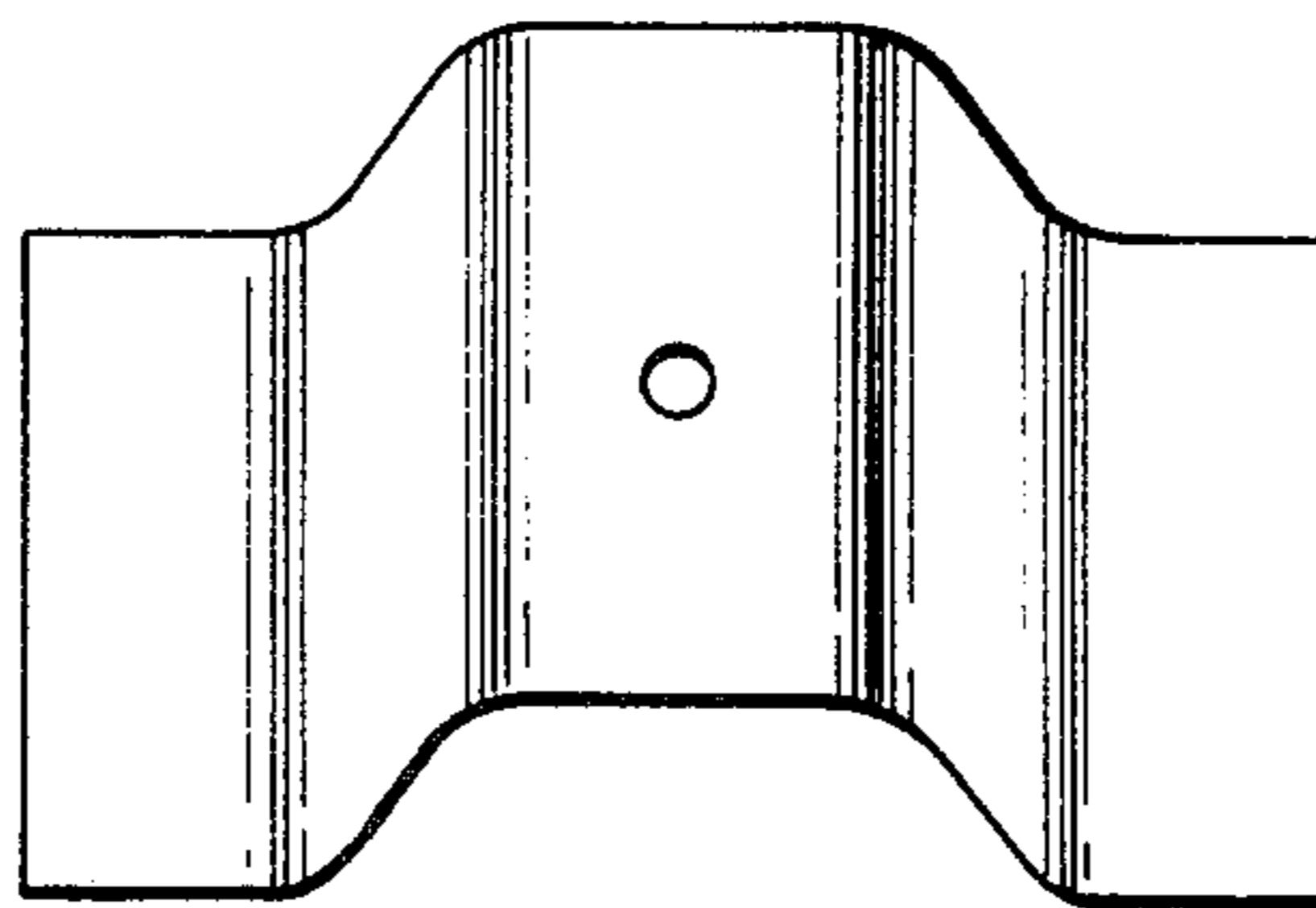


FIG. 2

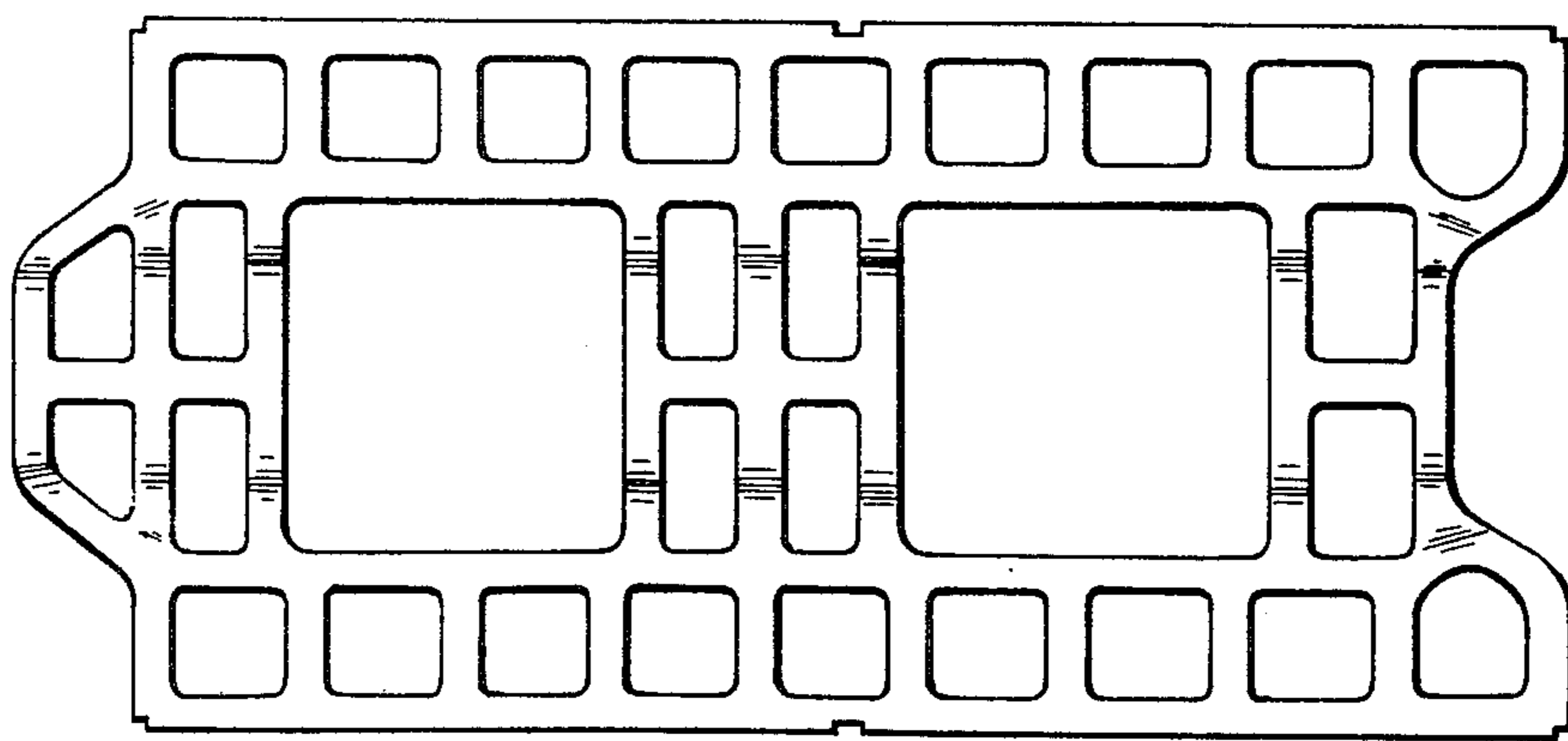


FIG. 3

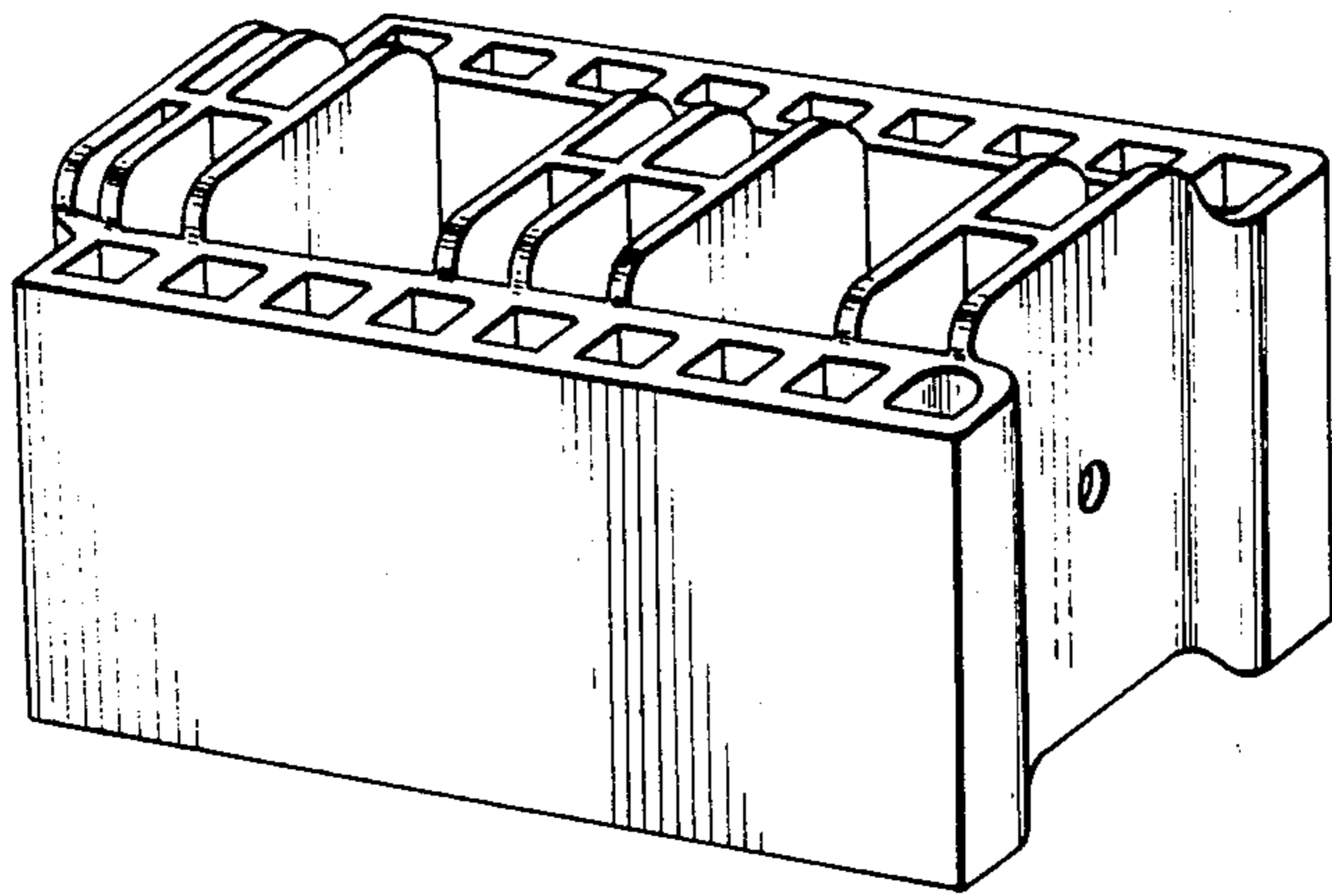


FIG. 4

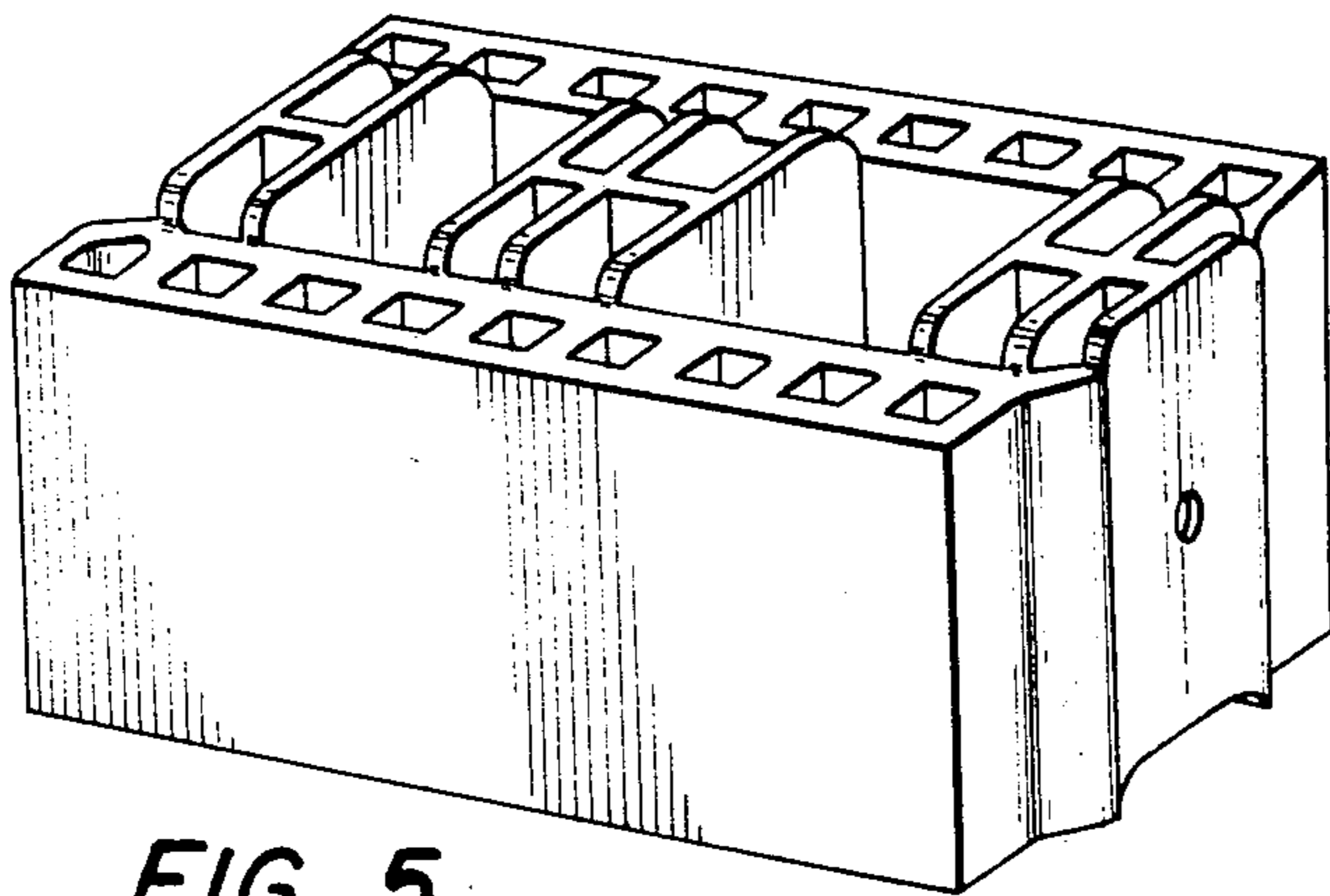


FIG. 5

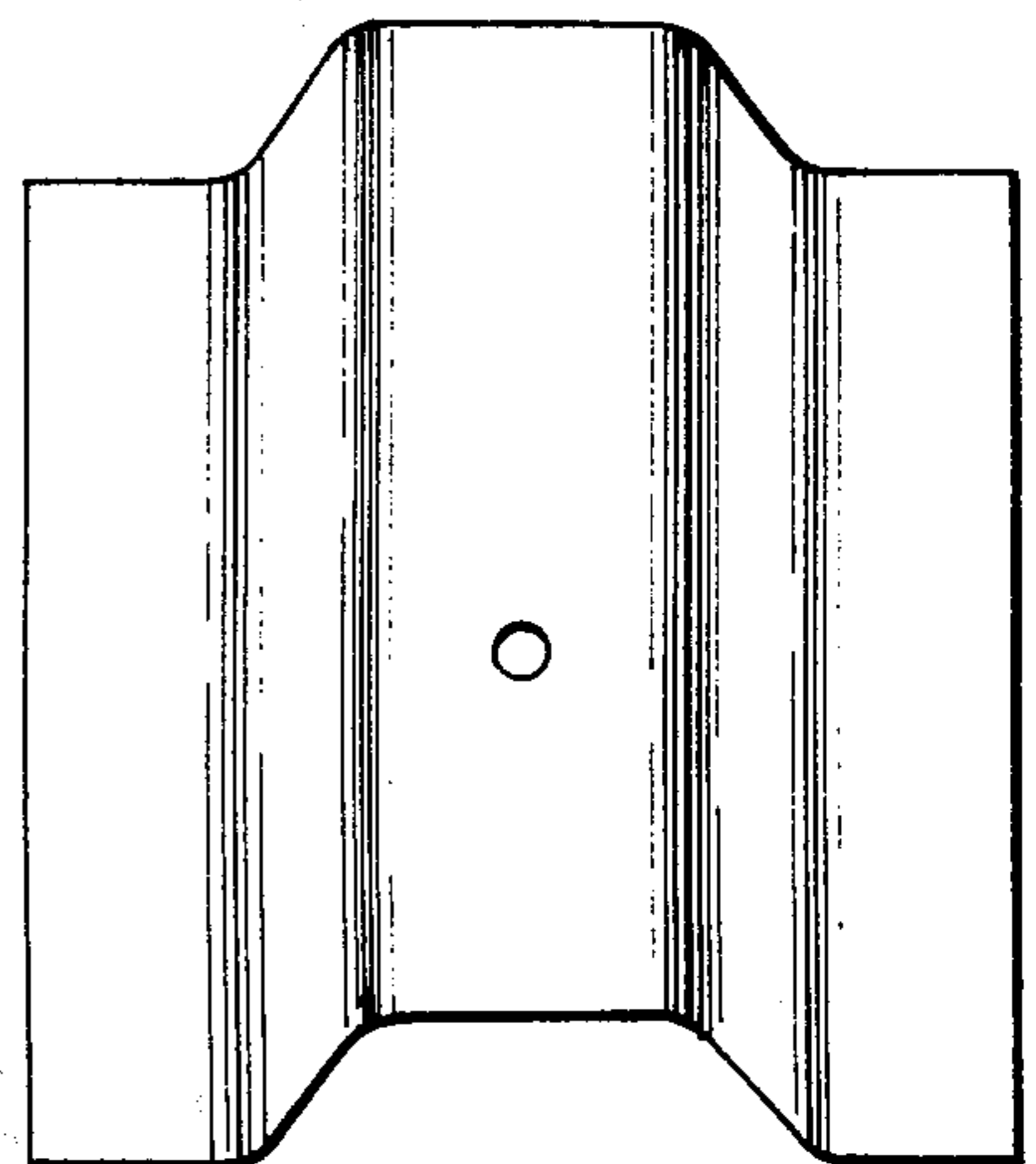


FIG. 6

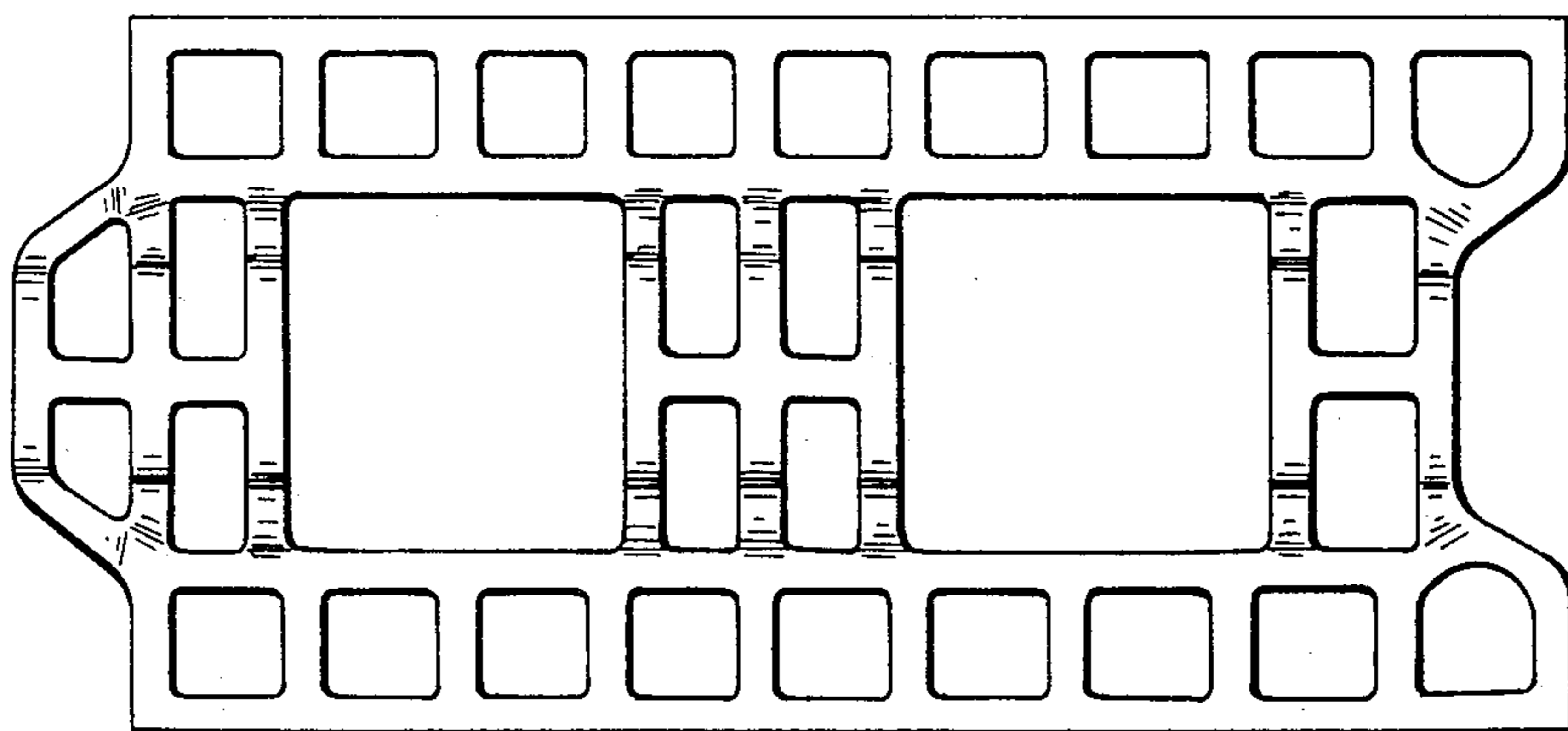


FIG. 7

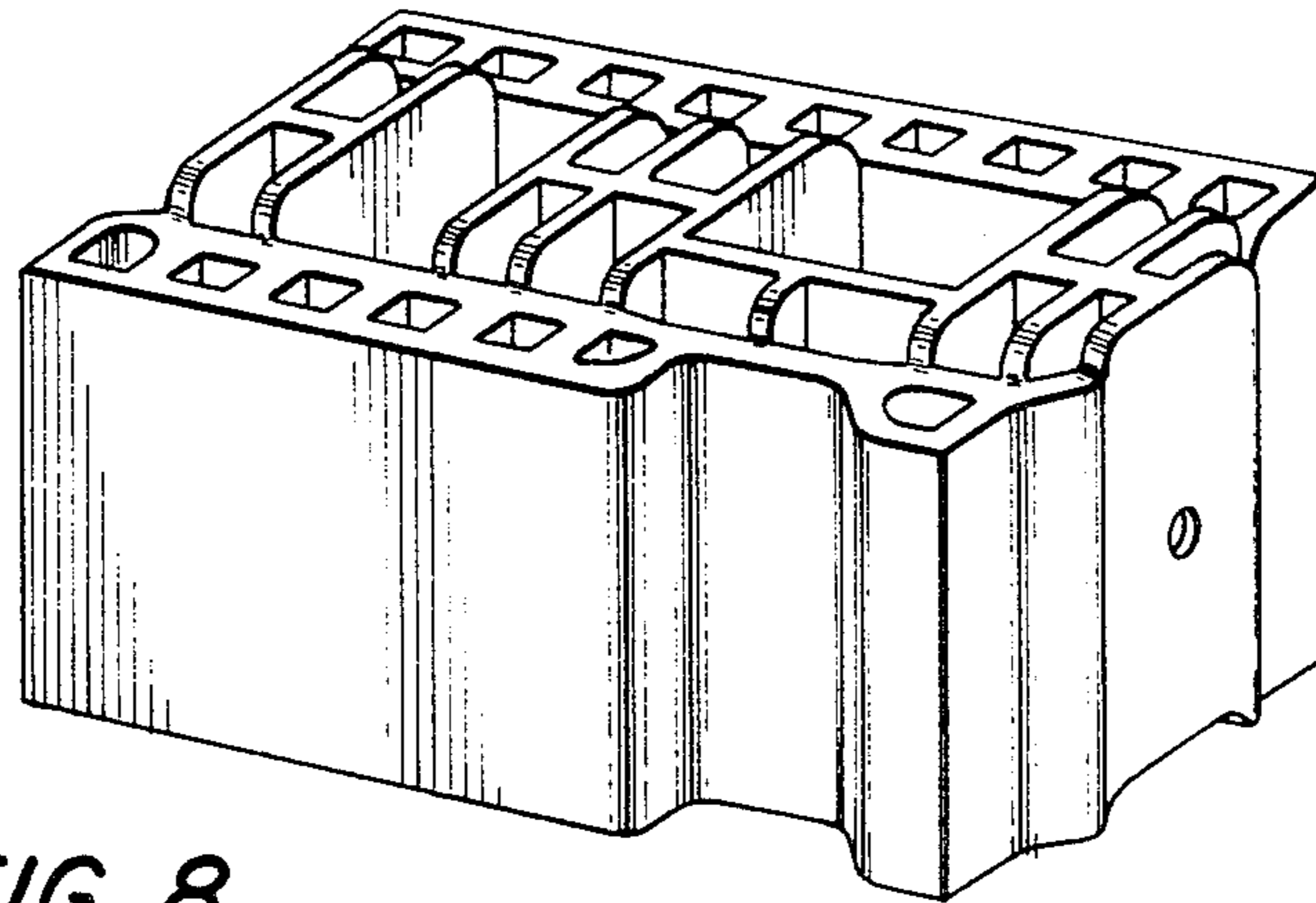


FIG. 8

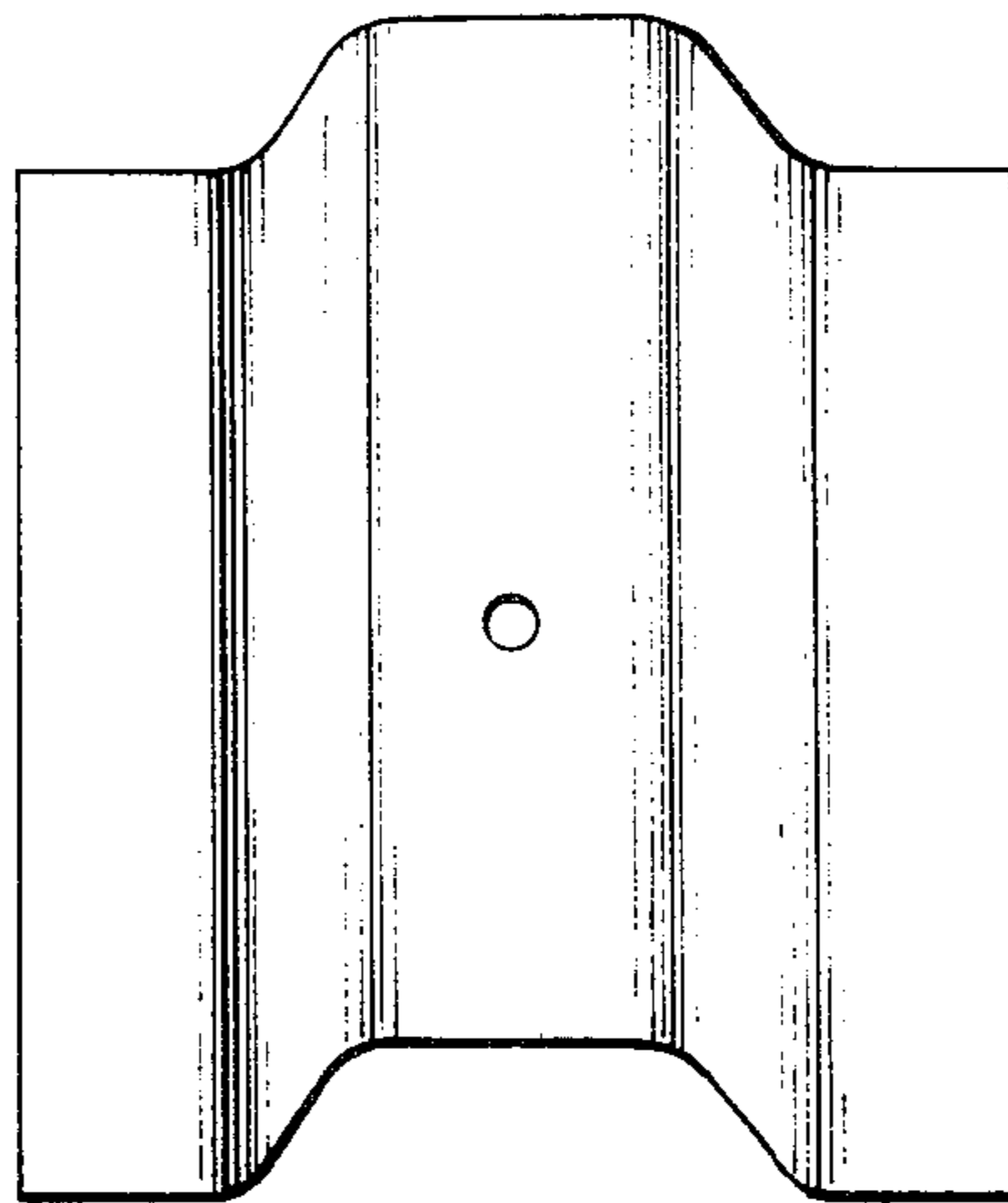


FIG. 9

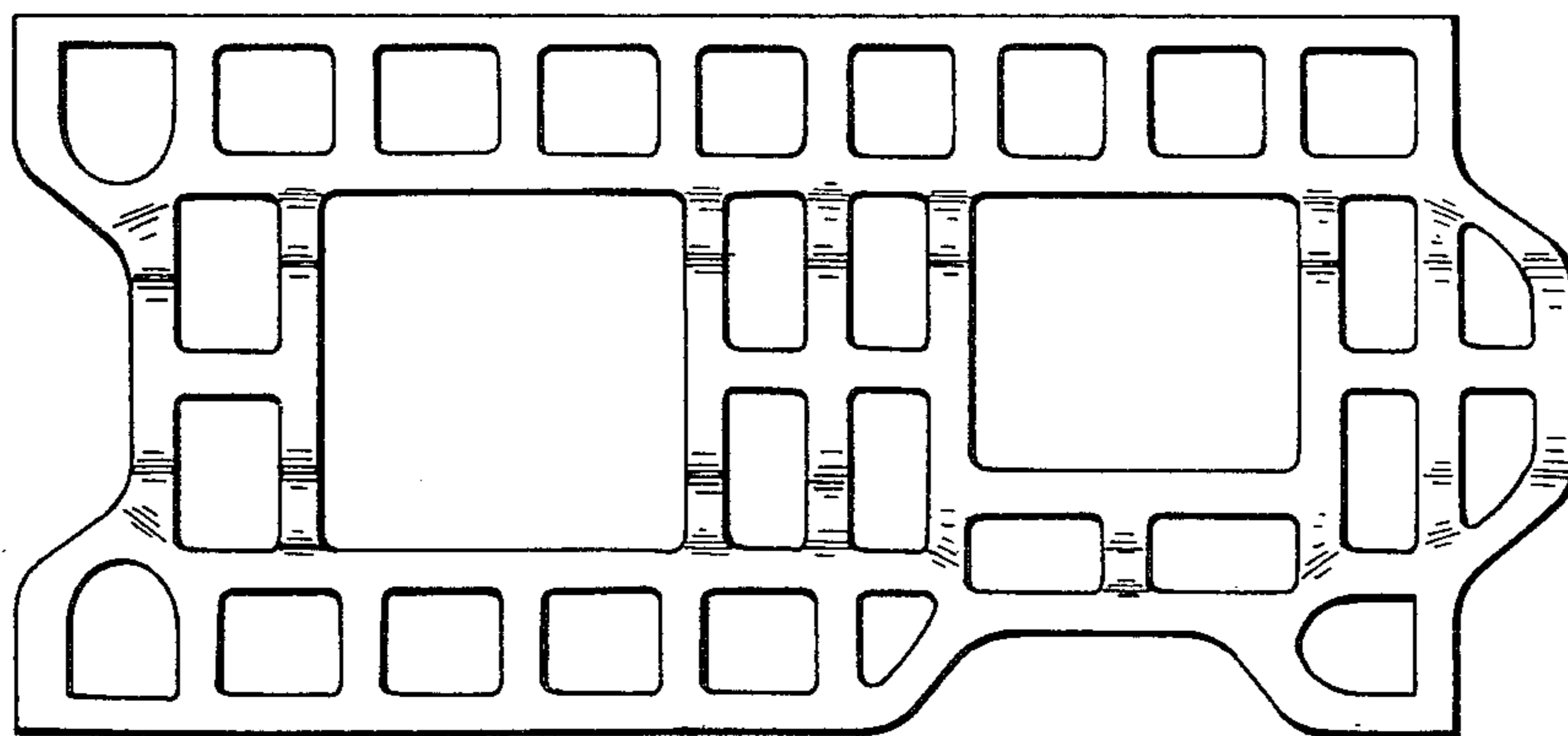


FIG. 10

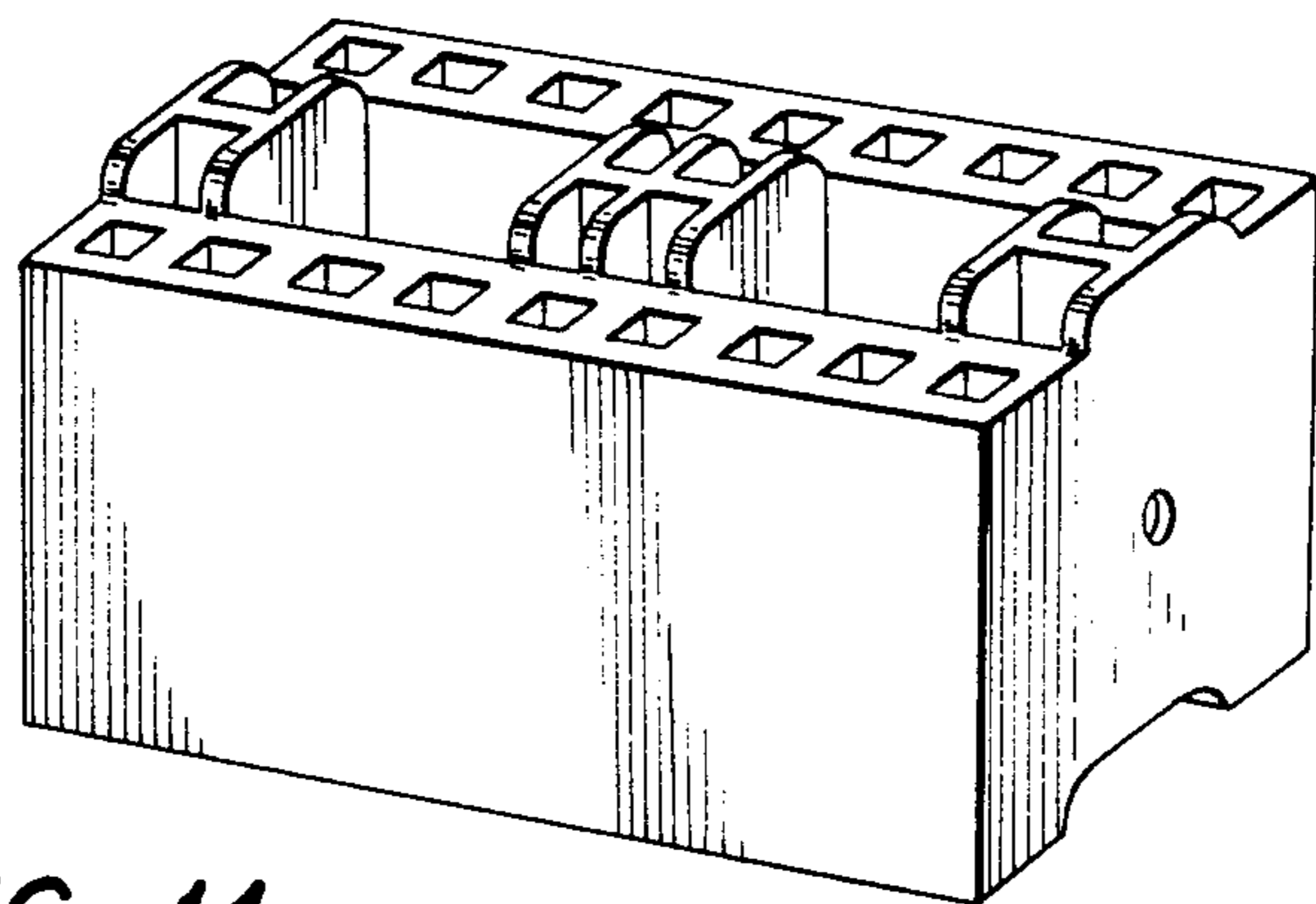


FIG. 11

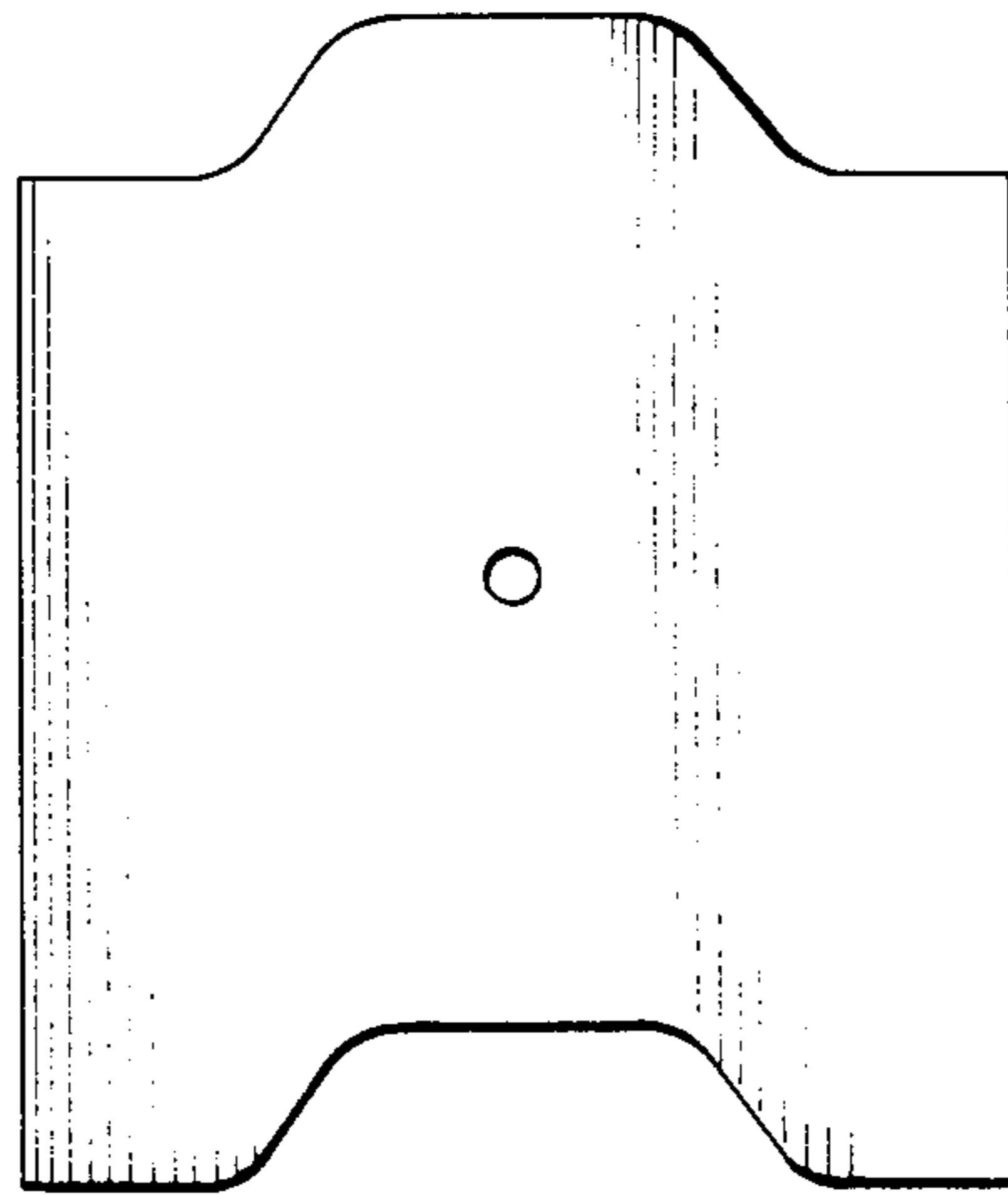


FIG. 12

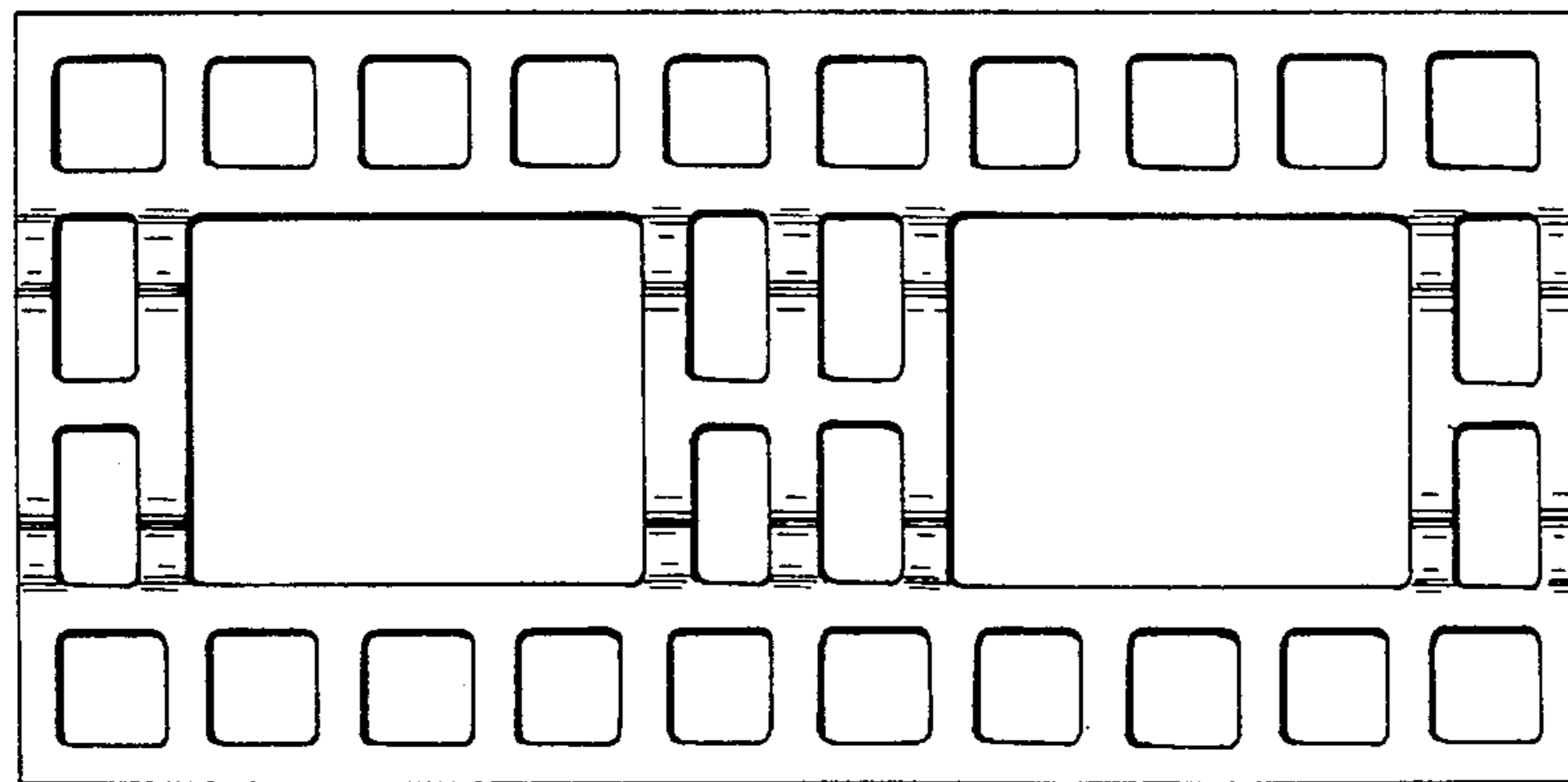


FIG. 13