

[54] **HAND HELD ULTRASONIC TRANSDUCER FOR PATIENT MONITORING USE**

[75] Inventor: **Stephen R. Barnes**, Seattle, Wash.

[73] Assignee: **Lawrence Medical Systems, Inc.**, Redmond, Wash.

[**] Term: **14 Years**

[21] Appl. No.: **430,117**

[22] Filed: **Sep. 30, 1982**

[52] U.S. Cl. **D24/17**

[58] Field of Search **D13/99; 174/52 R; 179/110 R, 110 A, 179, 181; D10/21; D14/99; 310/322, 324; 128/660, 663; D24/17; 73/624, 625**

[56] **References Cited**

U.S. PATENT DOCUMENTS

D. 211,353	6/1968	Bagno	D10/21
D. 245,515	8/1977	Pennebaker	D24/17
D. 251,085	2/1979	Fanshawe	D13/99
3,046,544	7/1962	Auer, Jr. et al.	174/52 R X
3,251,953	5/1966	Lahti	179/110 A
3,927,662	12/1975	Ziedonis	128/660
4,035,672	7/1977	Beaverson et al.	310/324
4,379,211	4/1983	Joscelyn et al.	179/110 A

Primary Examiner—Susan J. Lucas
Attorney, Agent, or Firm—Hughes, Barnard & Cassidy

[57] **CLAIM**

The ornamental design for hand held ultrasonic transducer for patient monitoring use, as shown and described.

DESCRIPTION

FIG. 1 is a perspective view of hand held ultrasonic transducer for patient monitoring use showing my new design, this first embodiment being a continuous wave ultrasonic transducer;

FIG. 2 is a top plan view thereof;

FIG. 3 is a side elevational view thereof;

FIG. 4 is a bottom plan view thereof, the spaced ceramic transmitter and receiver piezoelectric elements being shown on the circular end;

FIG. 5 is a left end elevational view thereof;

FIG. 6 is a right end elevational view thereof;

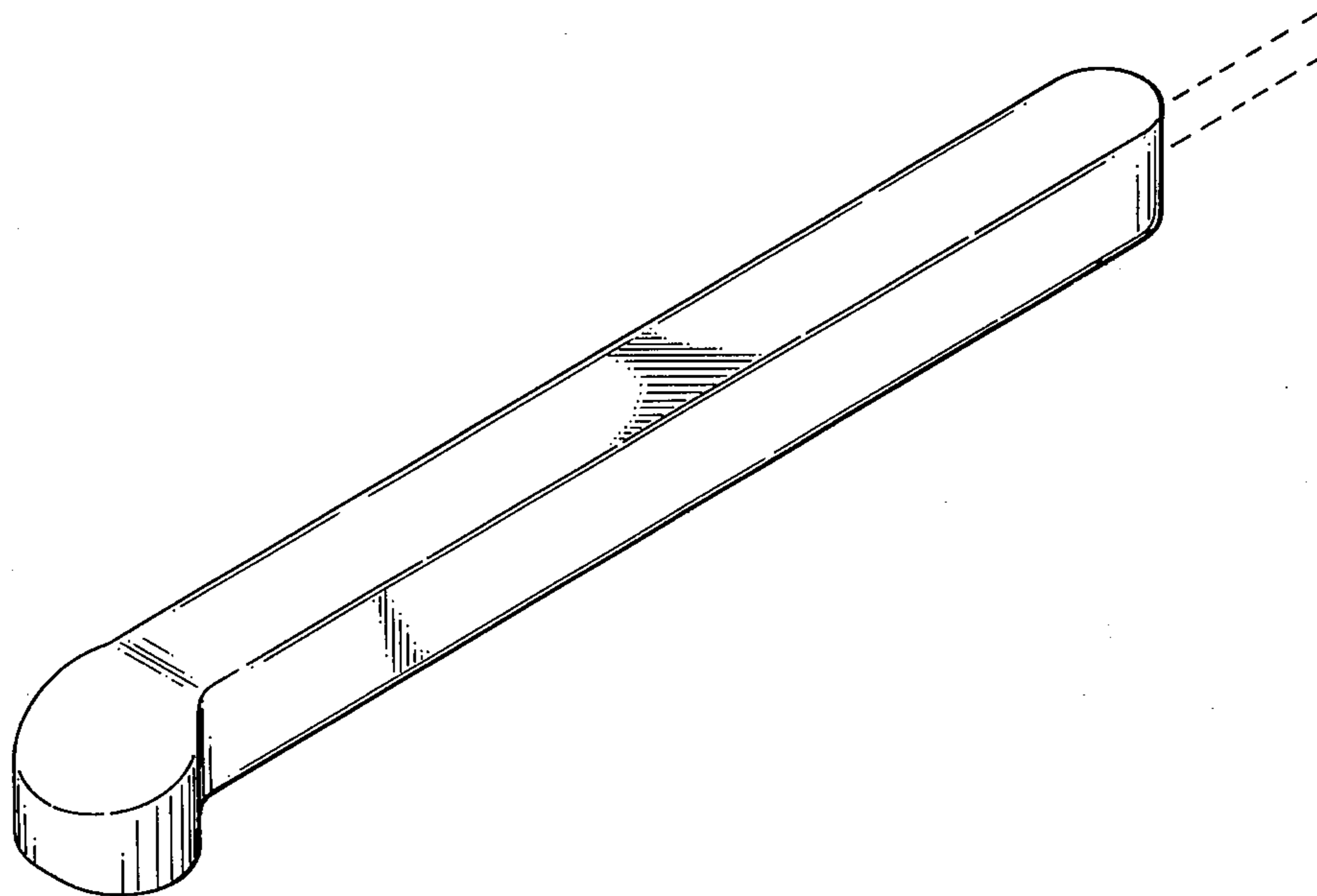
FIG. 7 is a top plan view of an ultrasonic transducer showing my new design, this second embodiment being a pulse type transducer;

FIG. 8 is a side elevational view thereof;

FIG. 9 is a bottom plan view thereof, the single piezoelectric element being shown in the circular end;

FIG. 10 is a left end elevational view thereof;

FIG. 11 is a right end elevational view thereof.



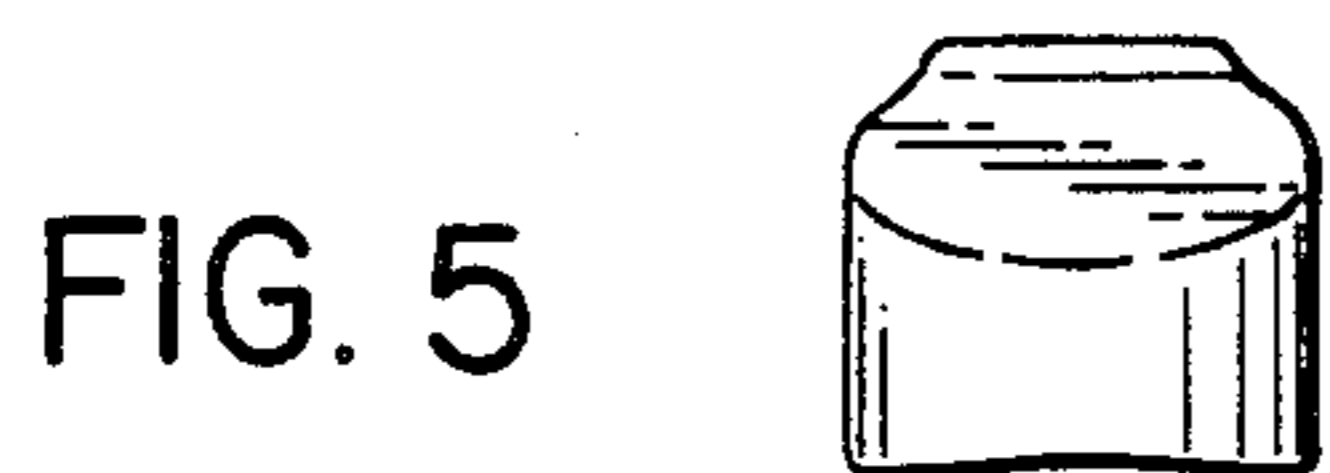
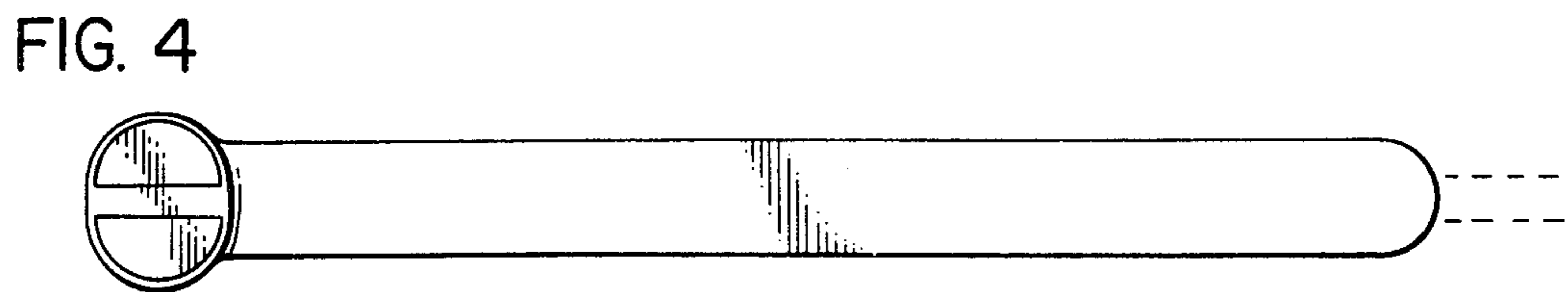
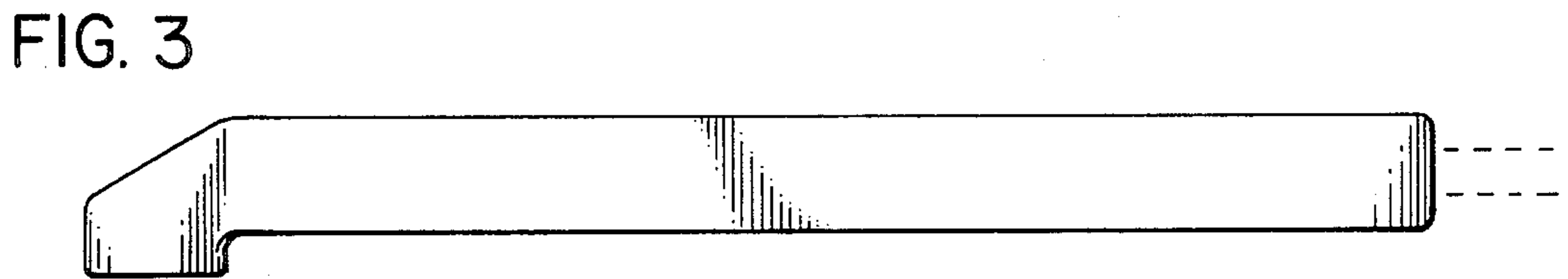
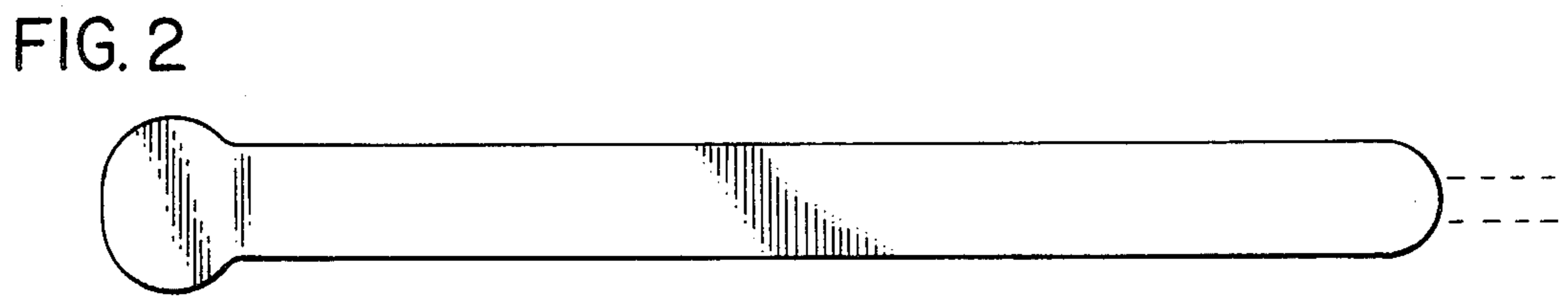
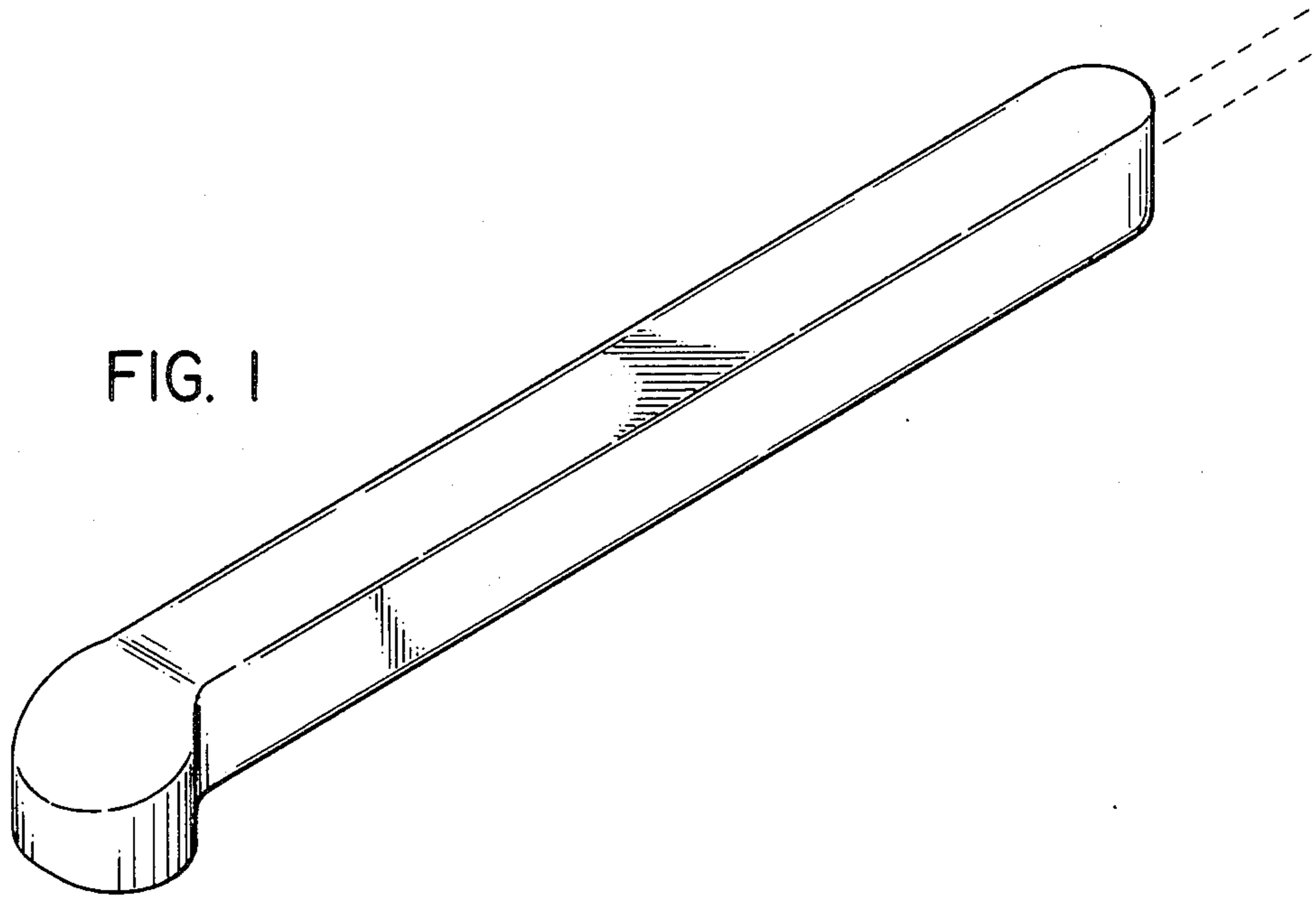


FIG. 7



FIG. 8

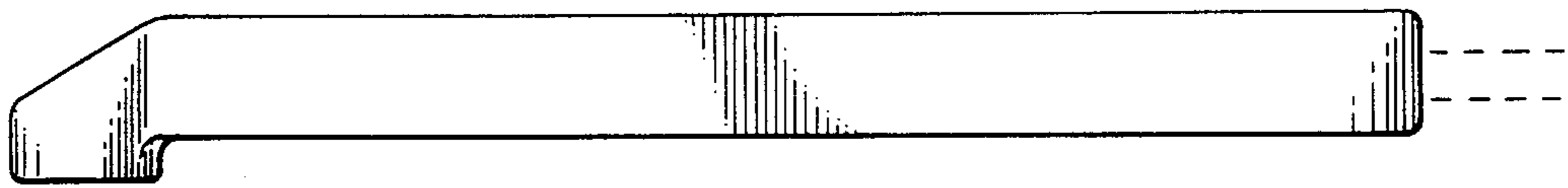


FIG. 9

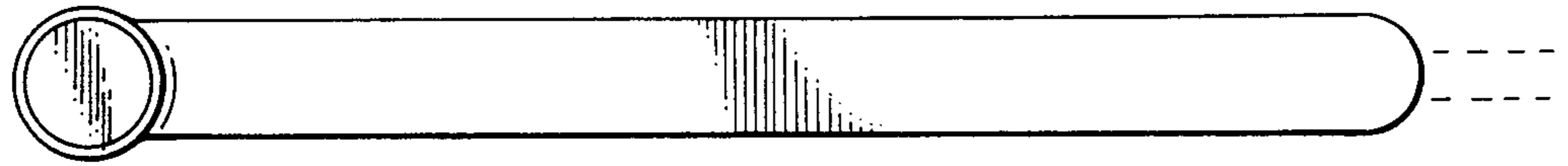


FIG. 10



FIG. 11

