

[54] COMBINED DENTAL MIRROR AND MOISTURE CONTROL APPARATUS

[76] Inventor: Michael K. Diamond, 86 Milburn La., Roslyn, N.Y. 11577

[\*\*] Term: 14 Years

[21] Appl. No.: 526,996

[22] Filed: Aug. 29, 1983

[52] U.S. Cl. .... D24/13

[58] Field of Search ..... D24/10-16, D24/4, 5; 433/29-31, 93

[56] References Cited

U.S. PATENT DOCUMENTS

D. 259,952	7/1981	Hukuba et al. ....	D24/13
2,823,455	2/1958	Srague .....	433/93
2,937,445	5/1960	Erickson .....	433/93
3,171,203	3/1965	Amoyo .....	433/31

Primary Examiner—Catherine E. Kemper

[57] CLAIM

The ornamental design for a combined dental mirror and moisture control apparatus, as shown and described.

DESCRIPTION

FIG. 1 is a perspective view of a combined dental mirror and moisture control apparatus showing my new design;

FIG. 2 is a top view thereof;

FIG. 3 is a front elevational view thereof;

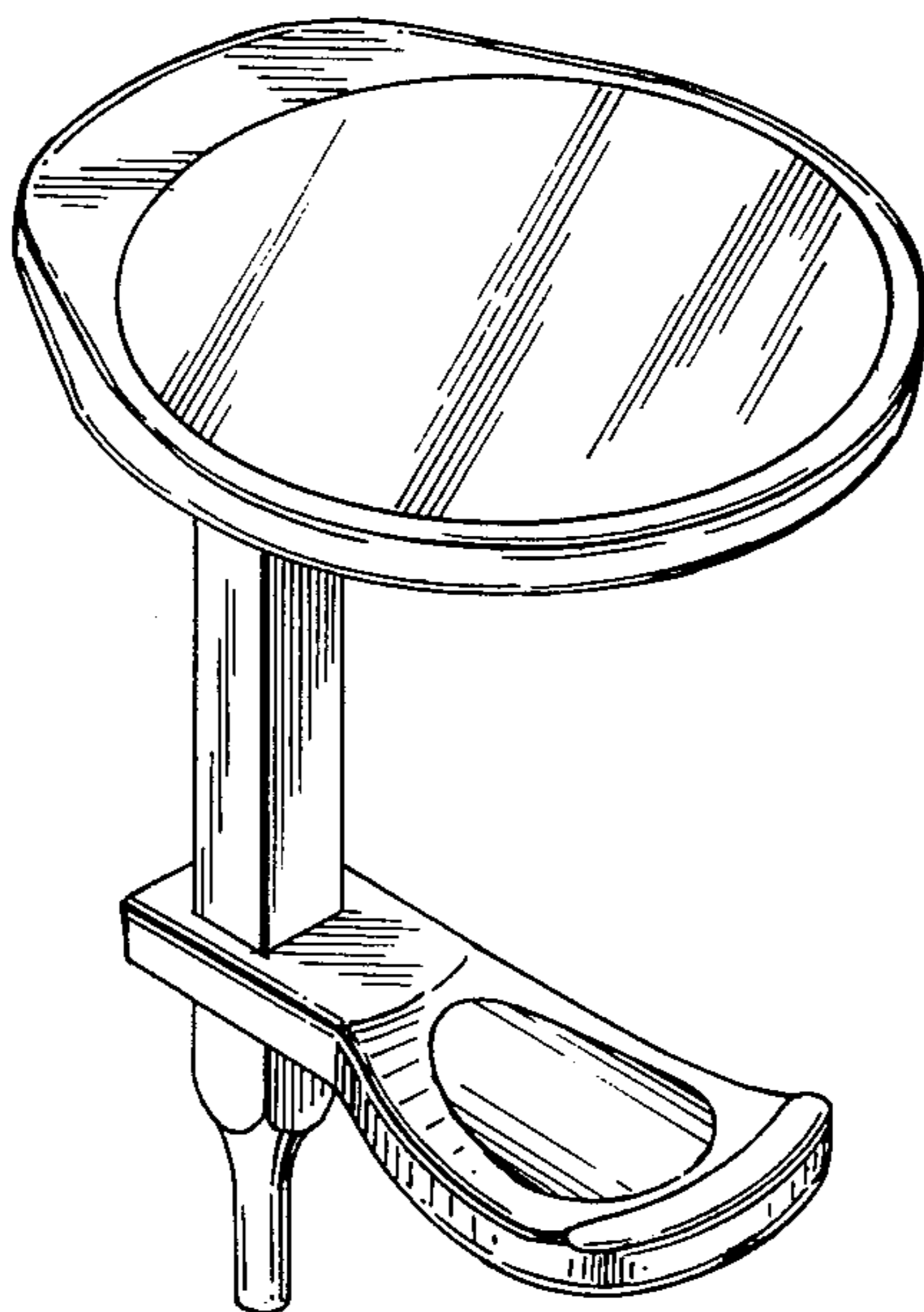
FIG. 4 is a side elevational view, the other side being identical thereto;

FIG. 5 is a rear elevational view thereof;

FIG. 6 is a bottom view thereof;

FIG. 7 is a cross-sectional view taken along line 7—7 of FIG. 5 and

FIG. 8 is a top plan view of a second embodiment of a combined dental mirror and moisture control apparatus, wherein the only difference resides in the shape of the reflective surface.



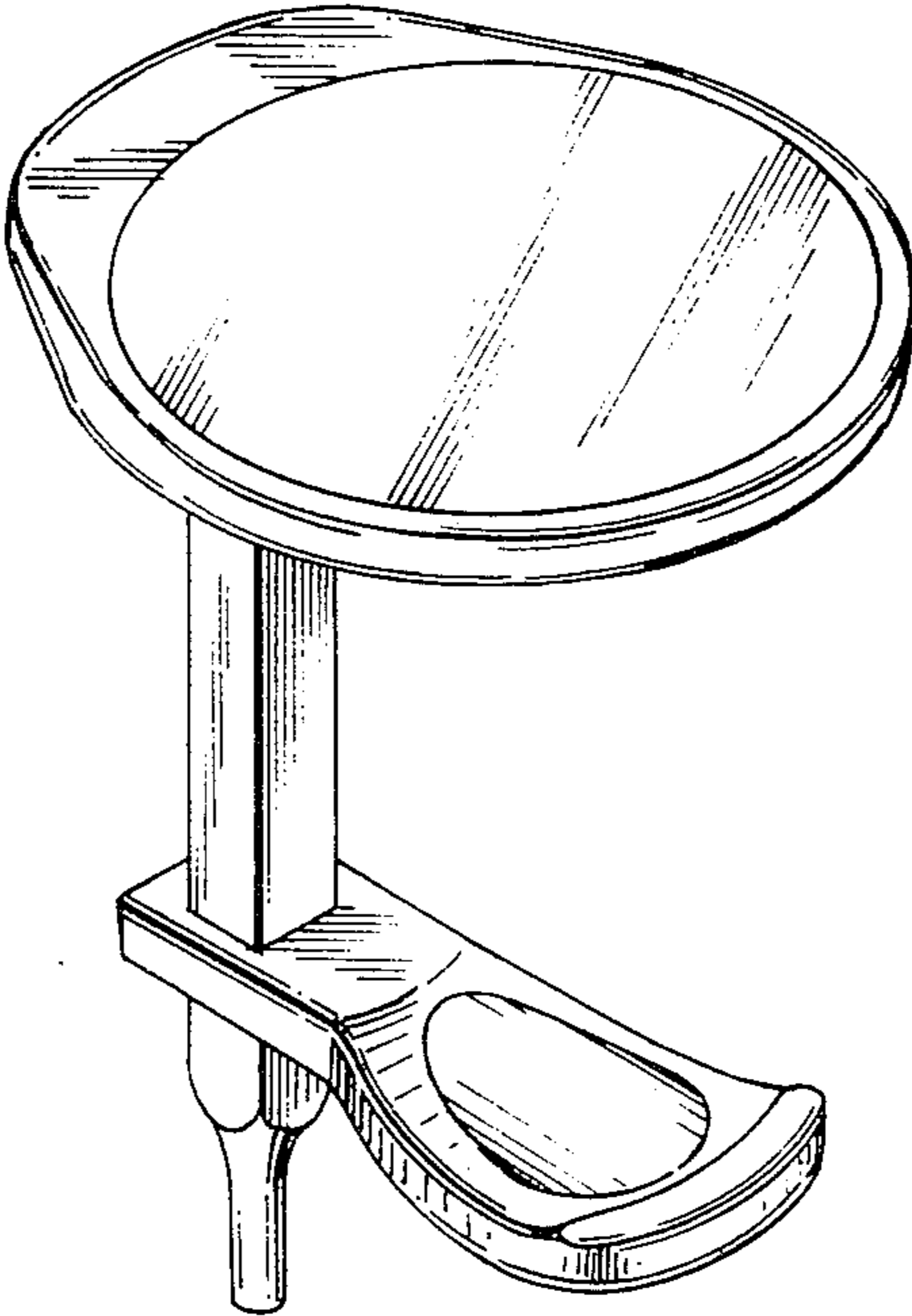


FIG. 1

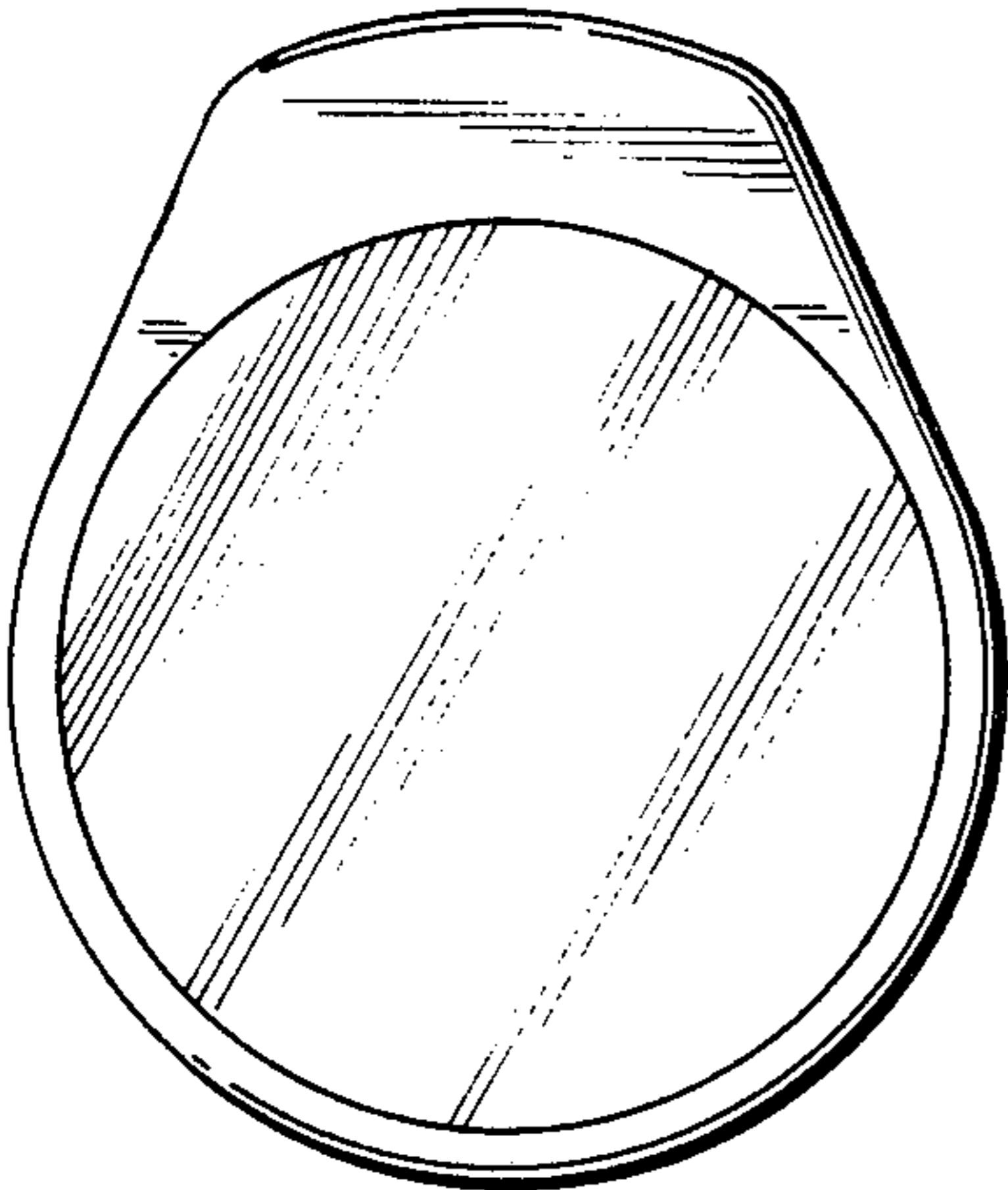


FIG. 2

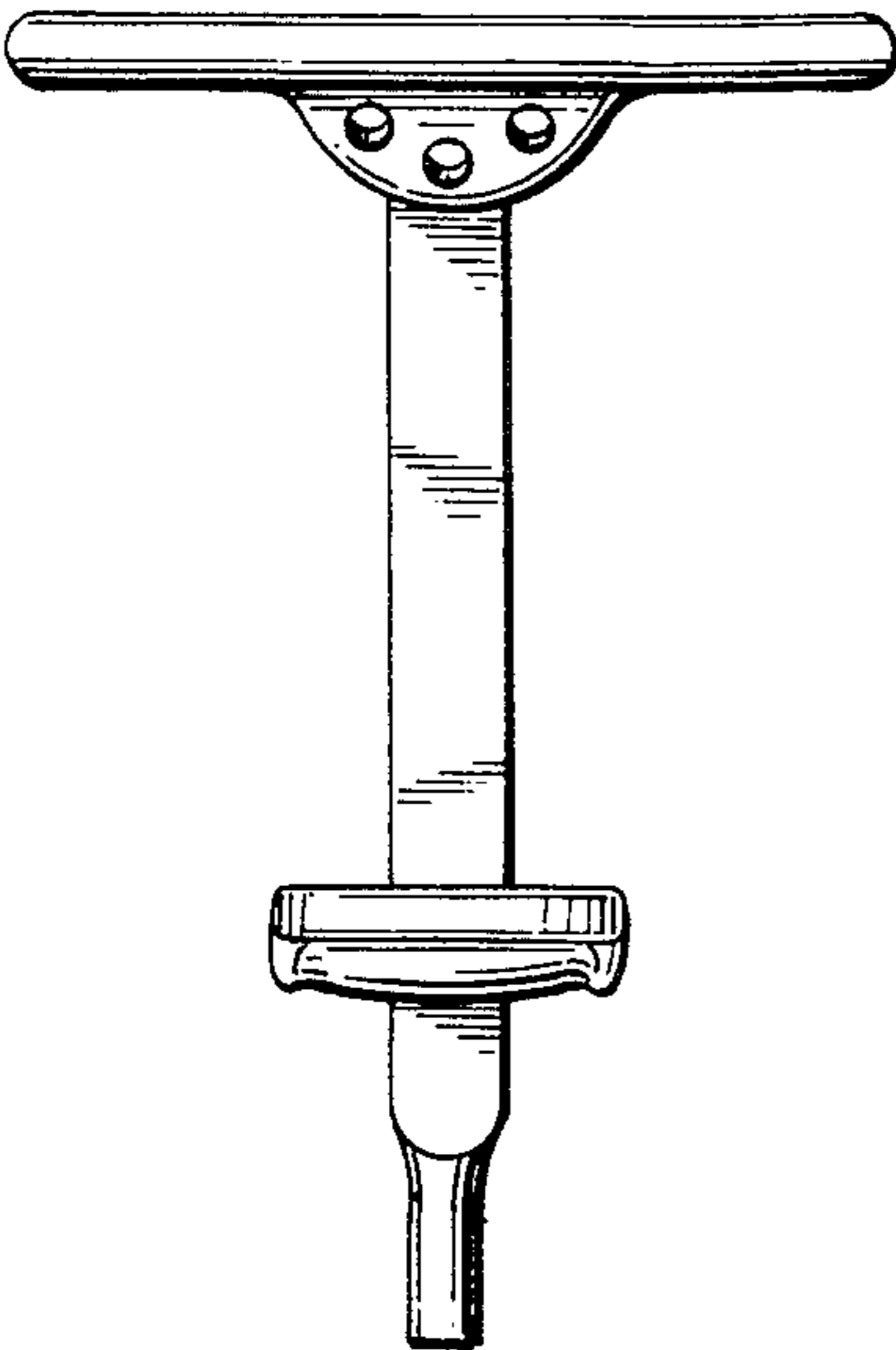


FIG. 3

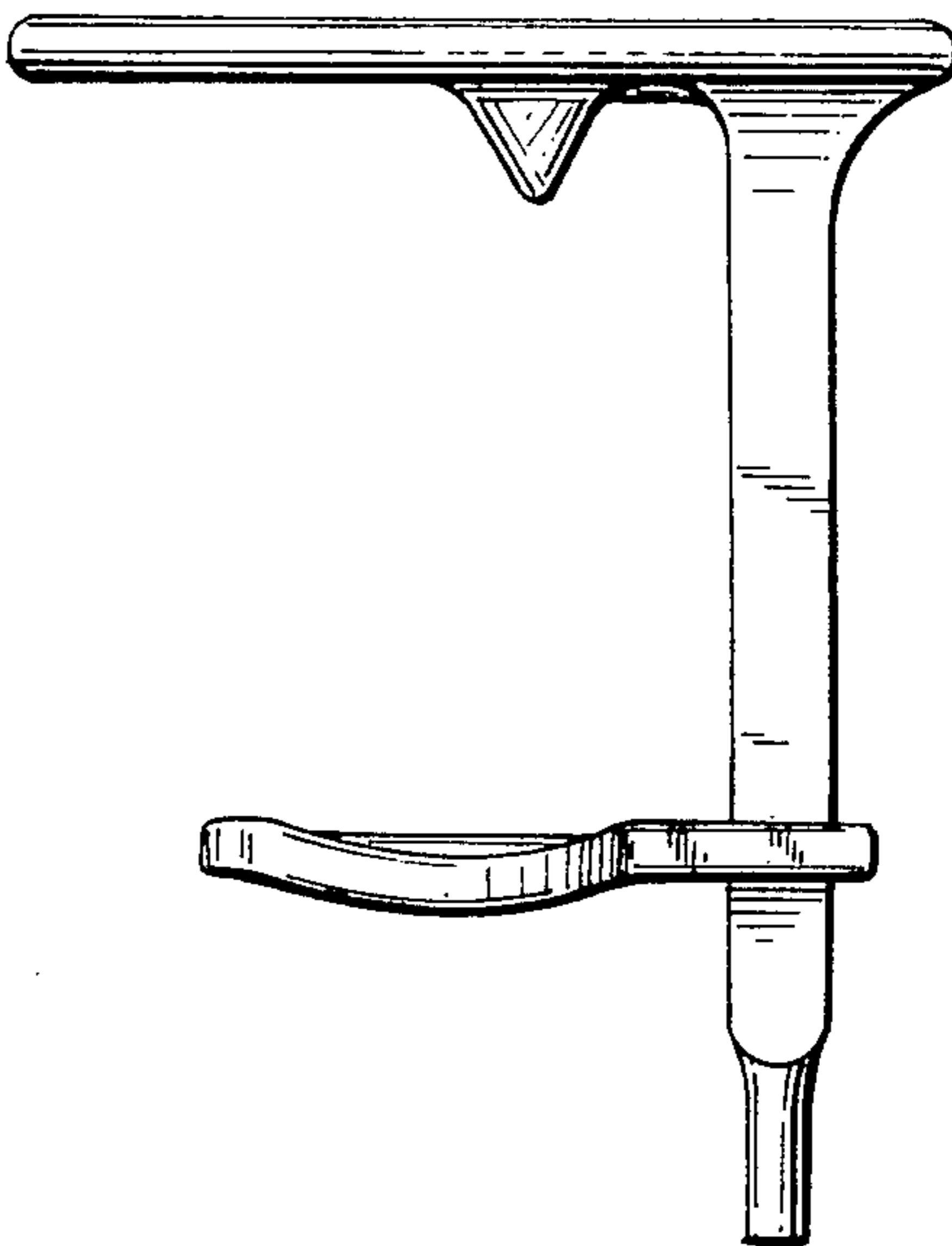


FIG. 4

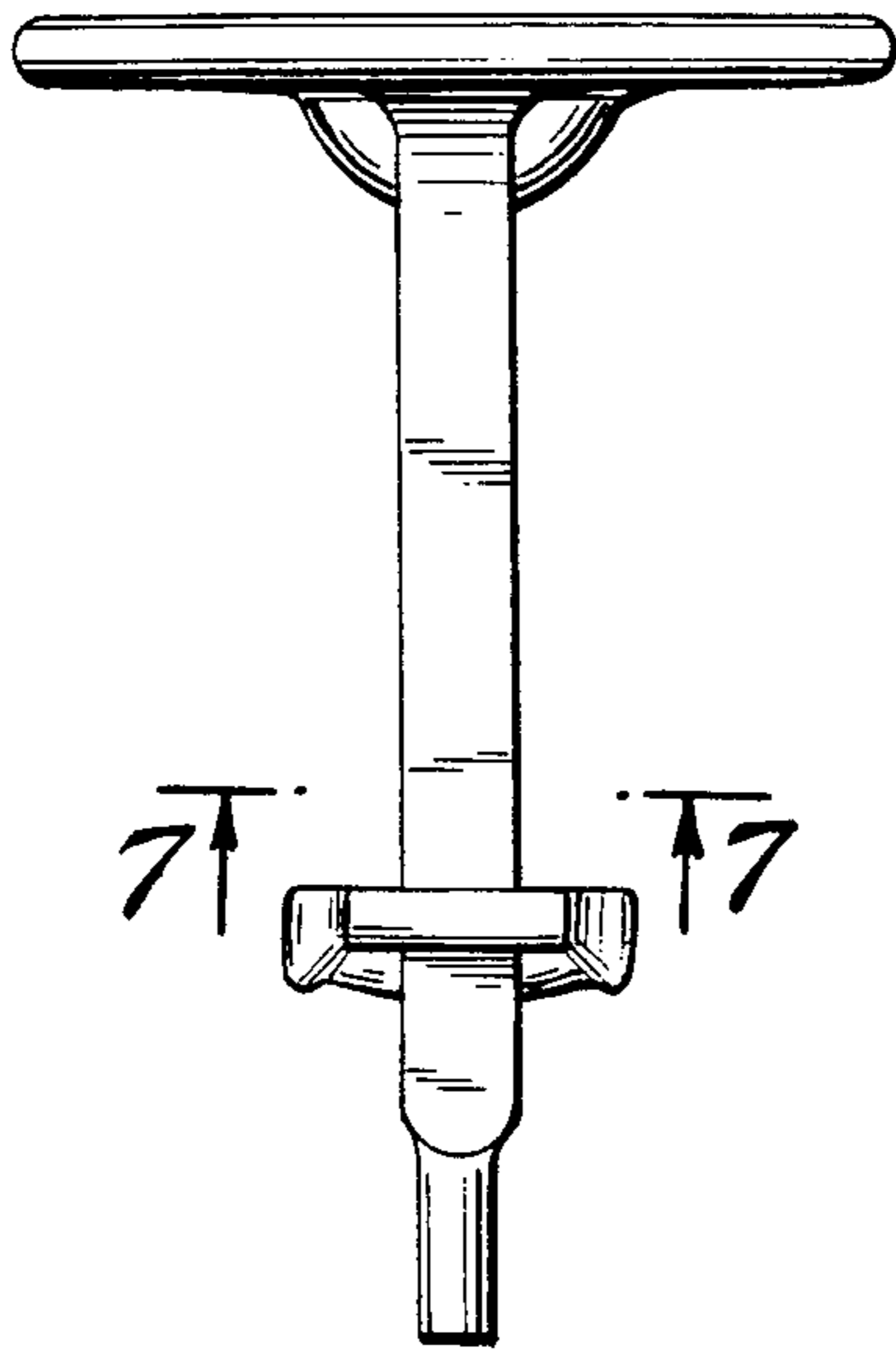


FIG. 5

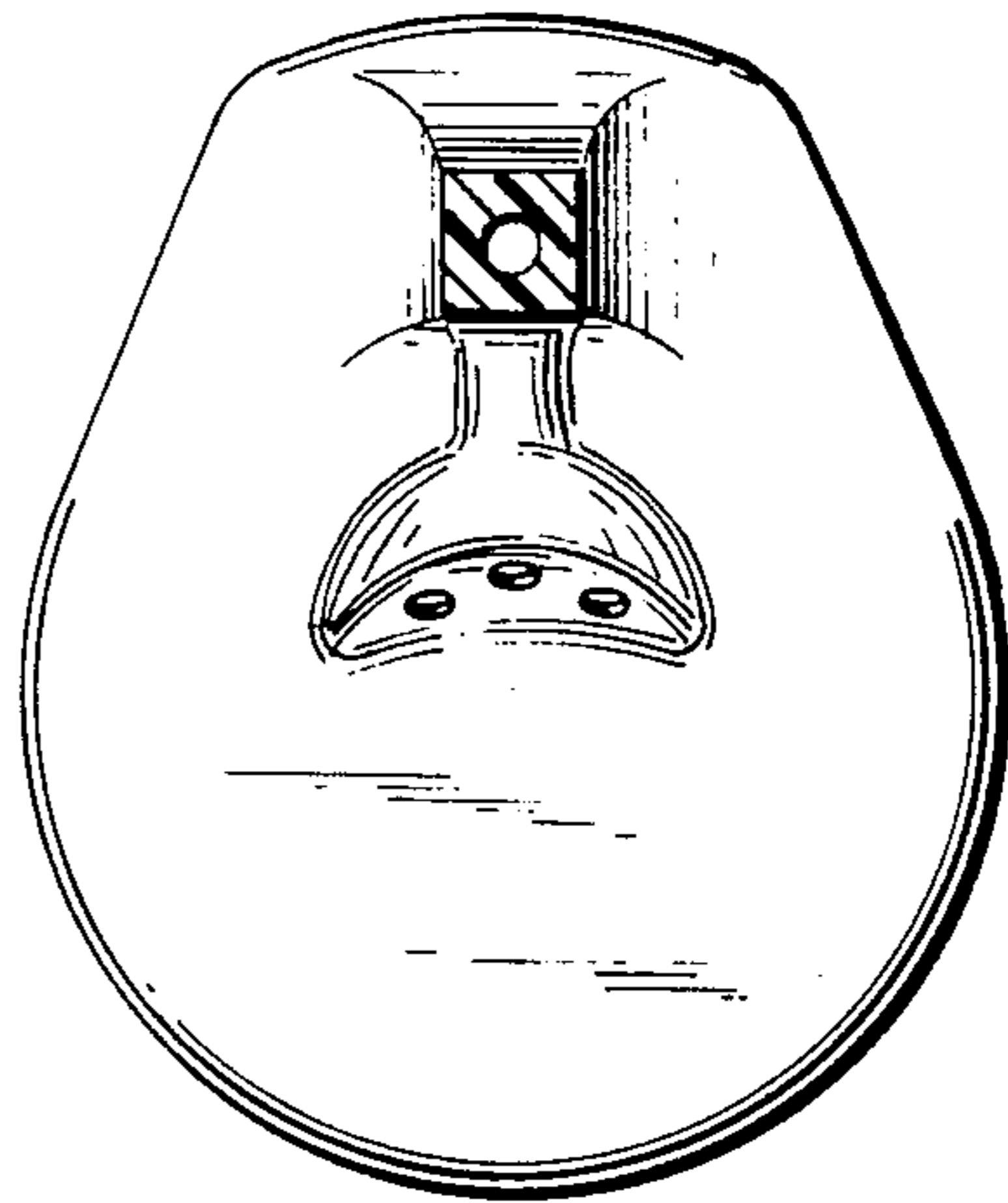


FIG. 7

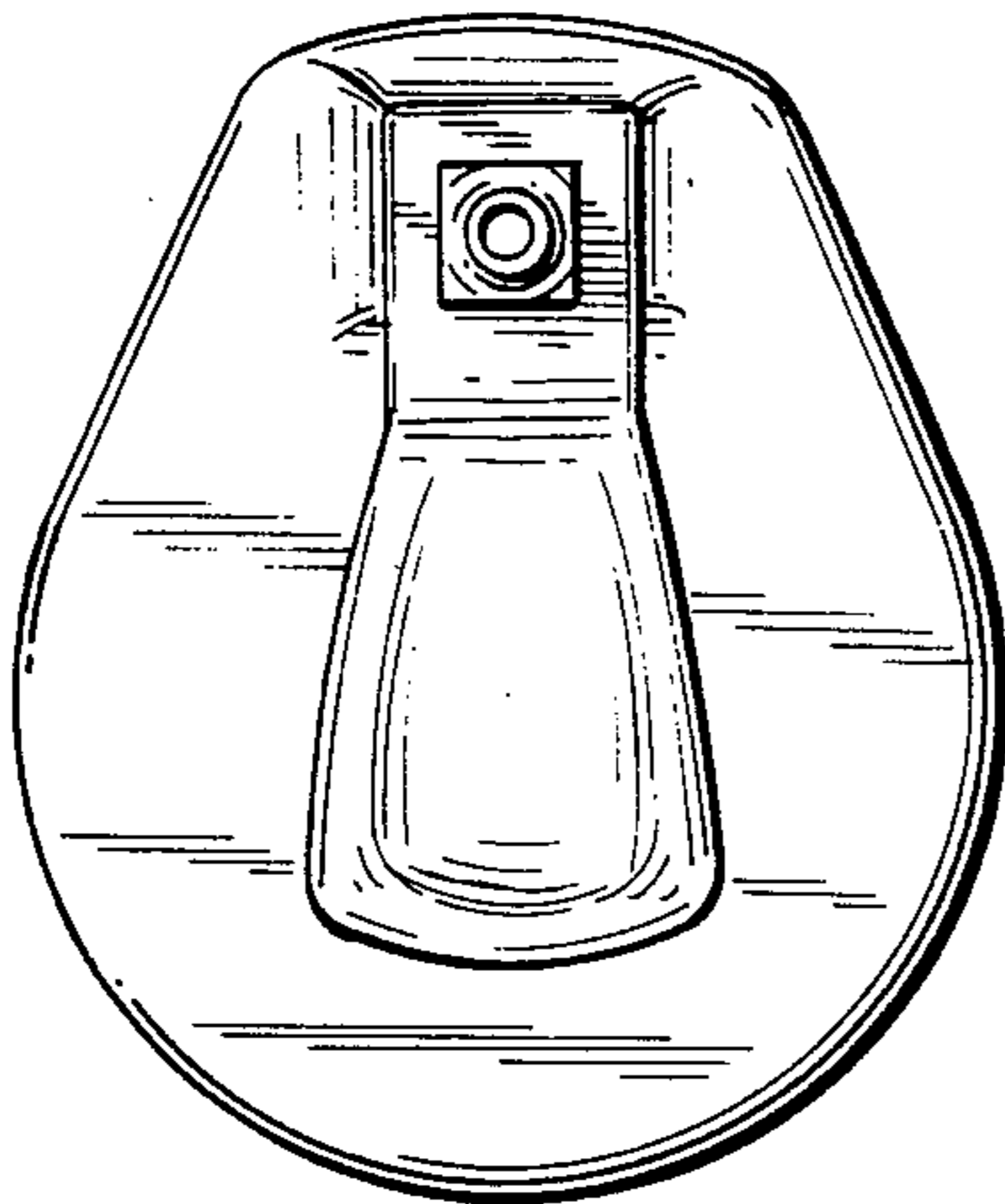


FIG. 6

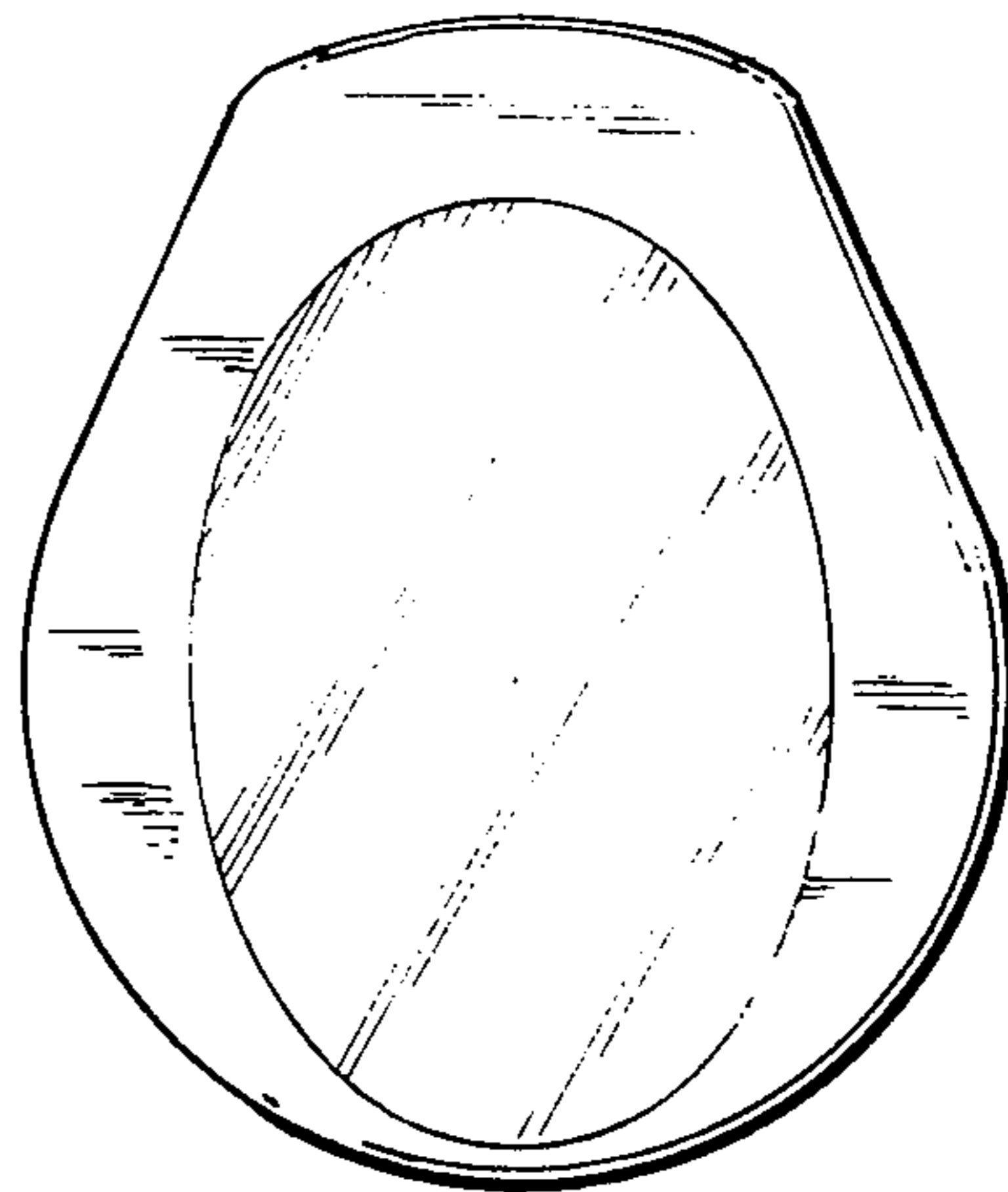


FIG. 8