

[54] SUPPORTING PLATE FOR DENTAL IMPRESSIONS

Primary Examiner—Catherine E. Kemper
Attorney, Agent, or Firm—Heinrich W. Herzfeld

[76] Inventor: Roland Weber, Grand-Chene 5, 1003
Lausanne, Switzerland

[57] CLAIM

The ornamental design for supporting plate for dental impressions, as shown and described.

[**] Term: 14 Years

DESCRIPTION

[21] Appl. No.: 399,724

[22] Filed: Jul. 19, 1982

[30] Foreign Application Priority Data

Feb. 4, 1982 [XH] Hague DM/001,188

[52] U.S. Cl. D24/10

[58] Field of Search D24/4, 5, 8, 10, 16;
433/34-49, 214, 68-71, 80, 89, 90

FIG. 1 is a perspective view of a supporting plate for dental impressions, showing my new design;
FIG. 2 is a perspective view of a second embodiment of a supporting plate for dental impressions;
FIG. 3 is a perspective view of a third embodiment of a supporting plate for dental impressions;
FIG. 4 is a bottom plan view of the embodiment shown in FIG. 1;
FIG. 5 is a side elevational view thereof;
FIG. 6 is a front elevational view thereof;
FIG. 7 is a top plan view thereof;
FIG. 8 is a bottom plan view of the second embodiment, the side and front elevational views being identical to those shown in FIGS. 5 and 6;
FIG. 9 is a bottom plan view of the third embodiment, the side and front elevational views being identical to those shown in FIGS. 5 and 6.

[56] References Cited

U.S. PATENT DOCUMENTS

D. 260,811	9/1981	Kitchenman	D24/10
1,450,639	4/1923	Monson	433/37
1,505,862	8/1924	Carroll, Sr.	433/37
1,509,376	9/1924	Rodgers	433/37
2,096,375	10/1937	Jones	433/36
3,107,428	10/1963	Freeman	D24/10 X

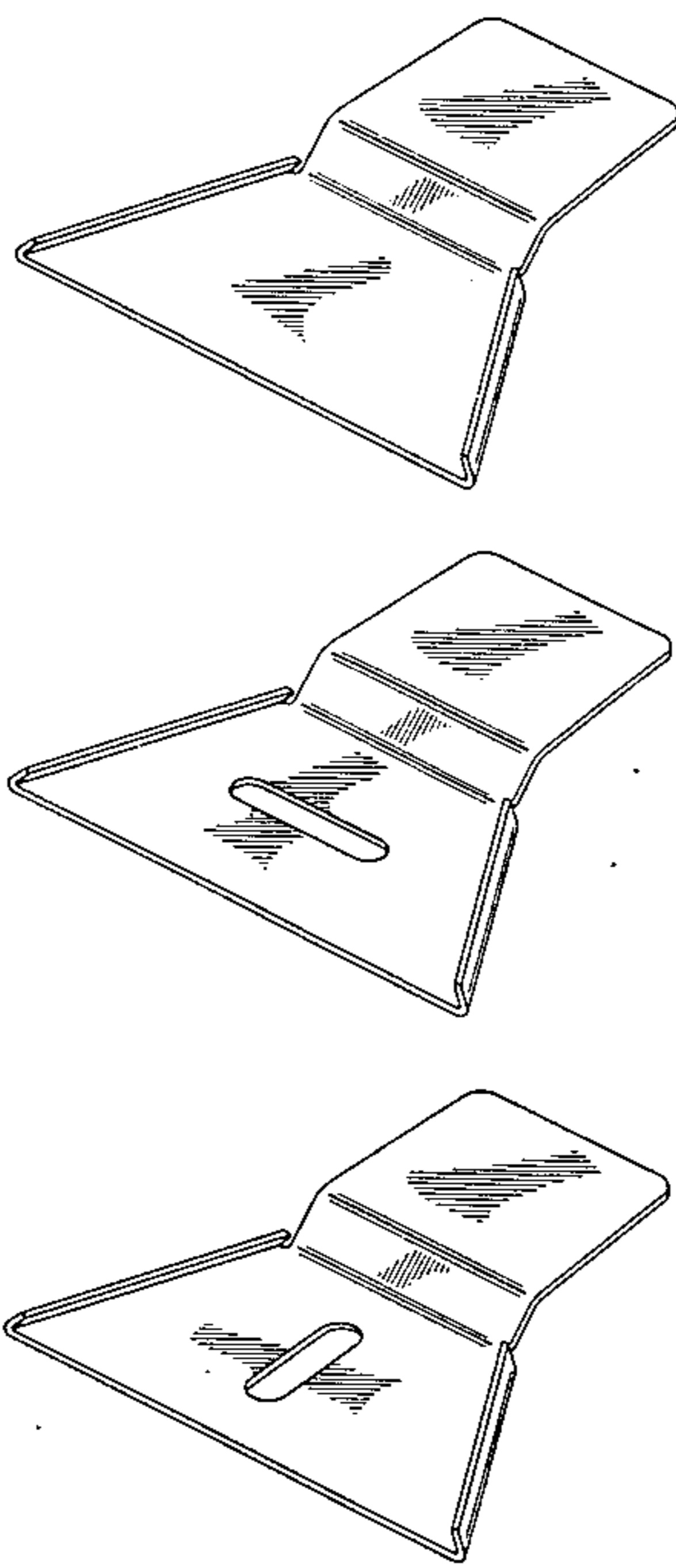


Fig. 1

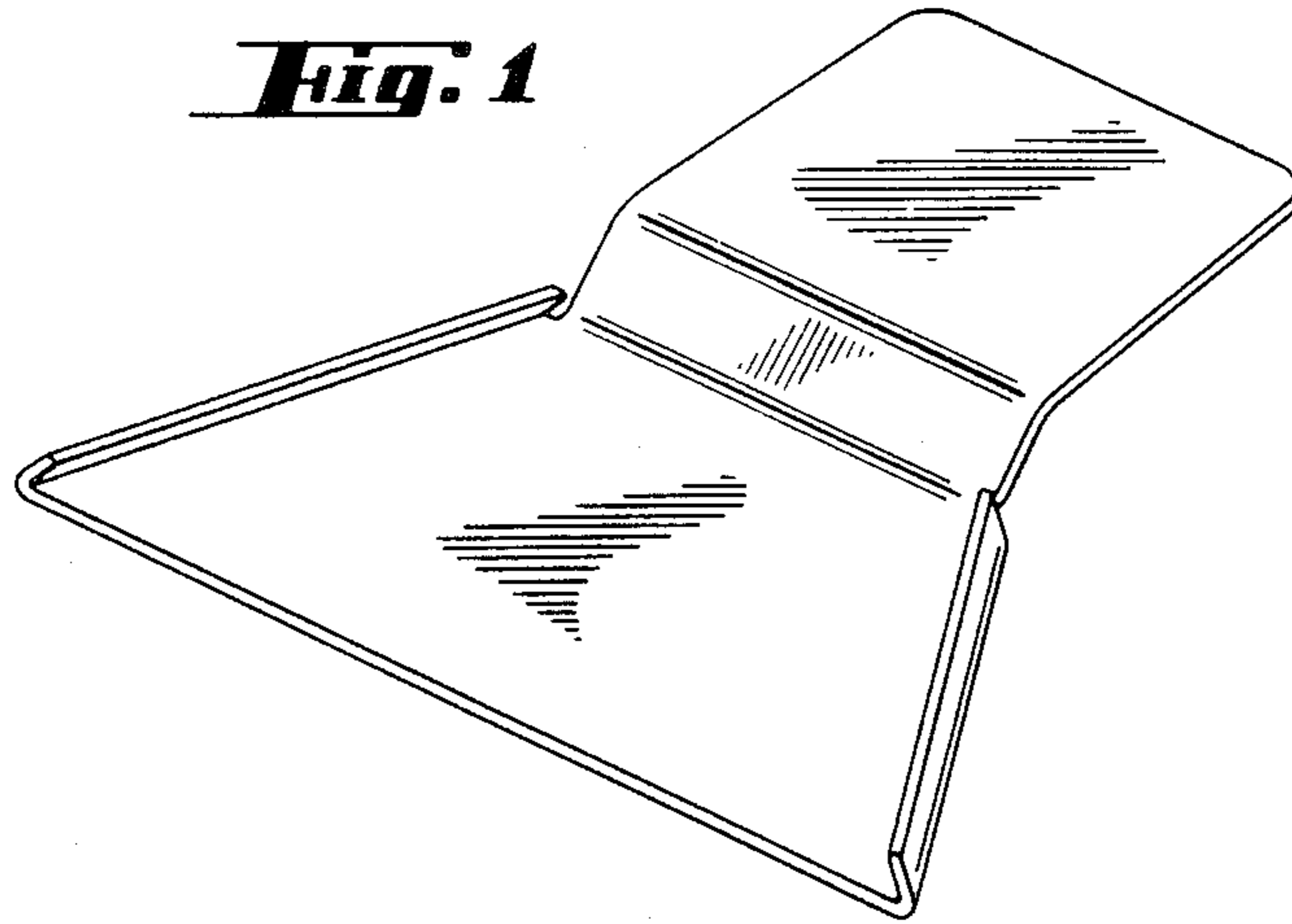


Fig. 2

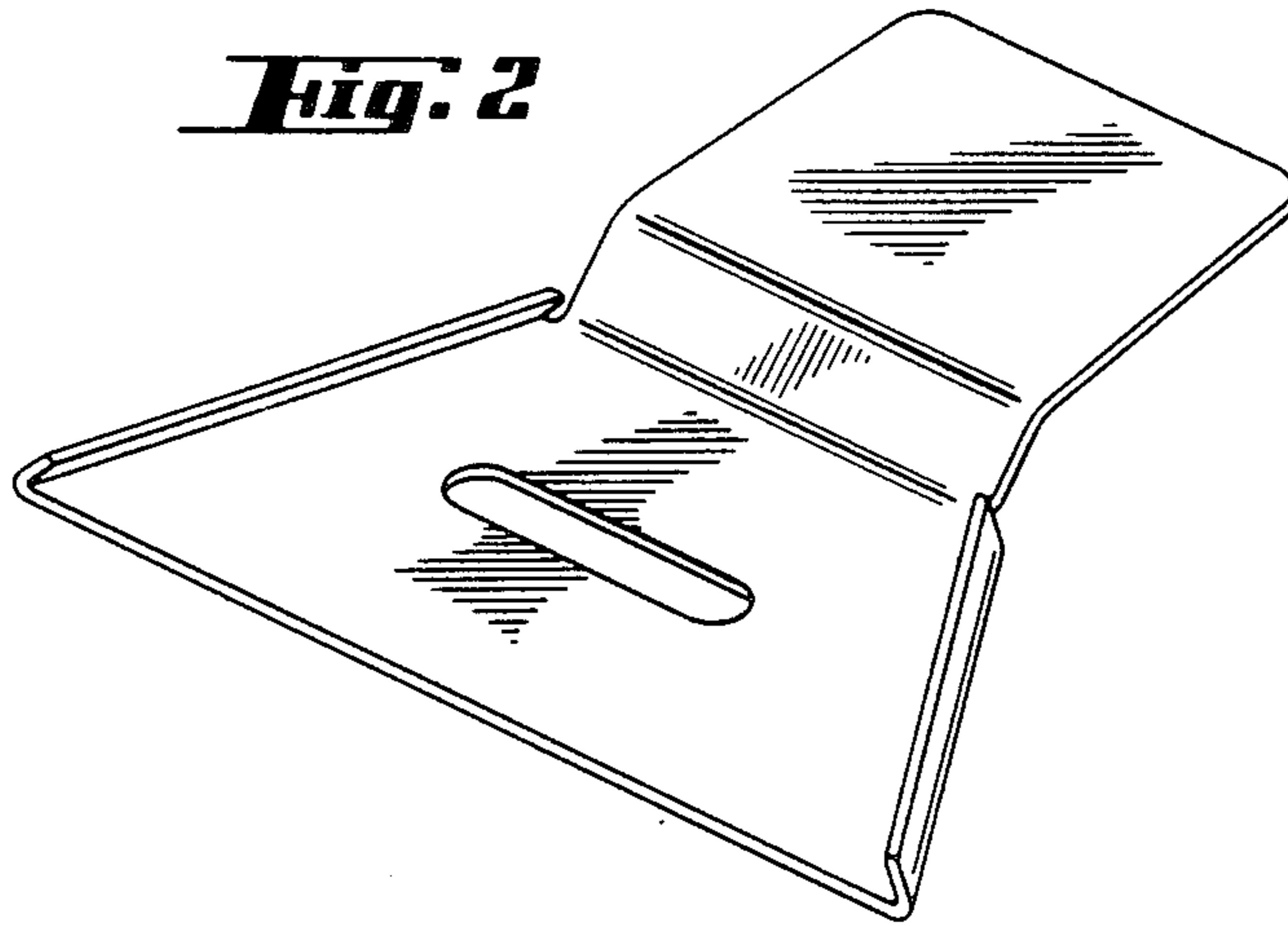


Fig. 3

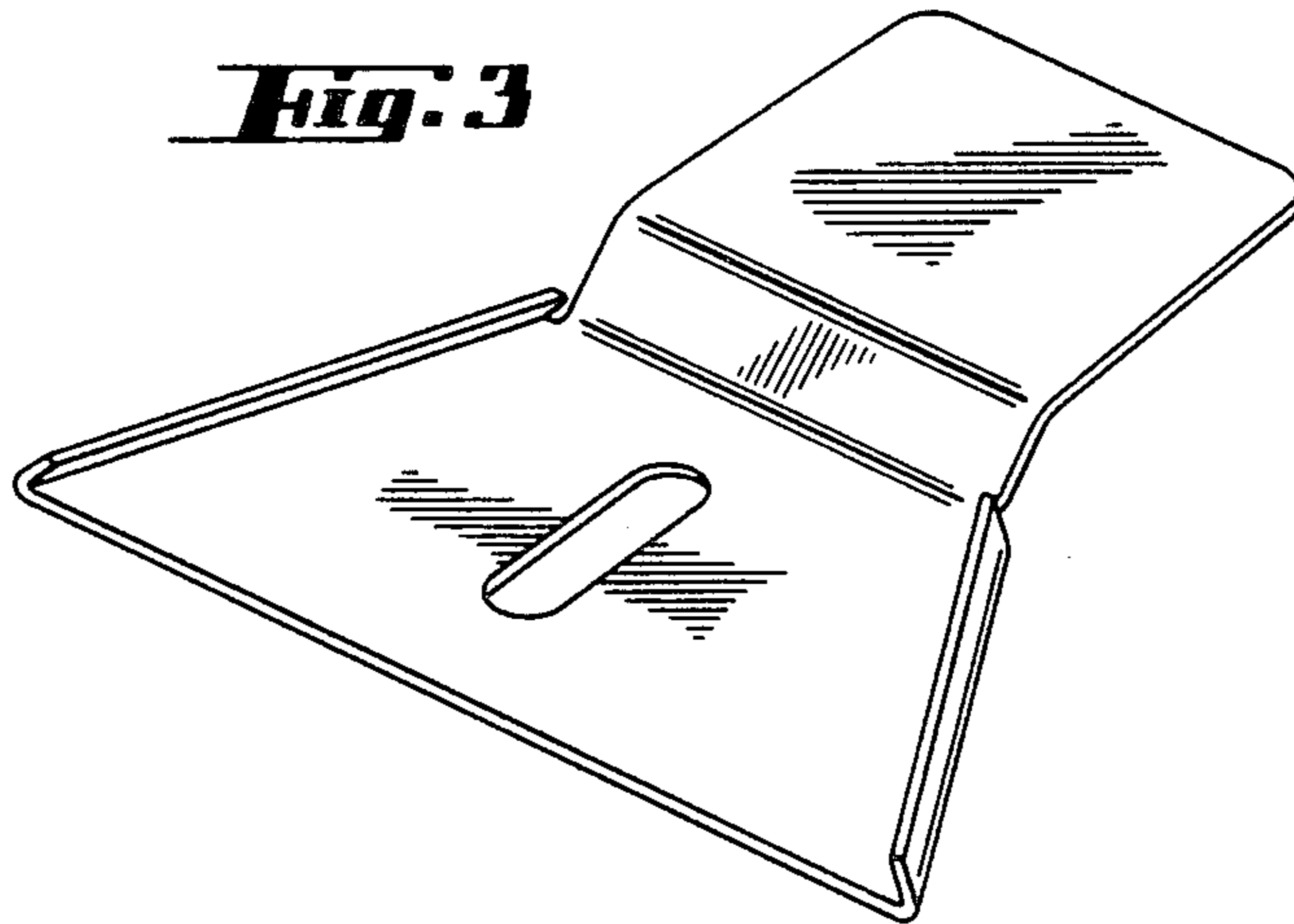


Fig. 4

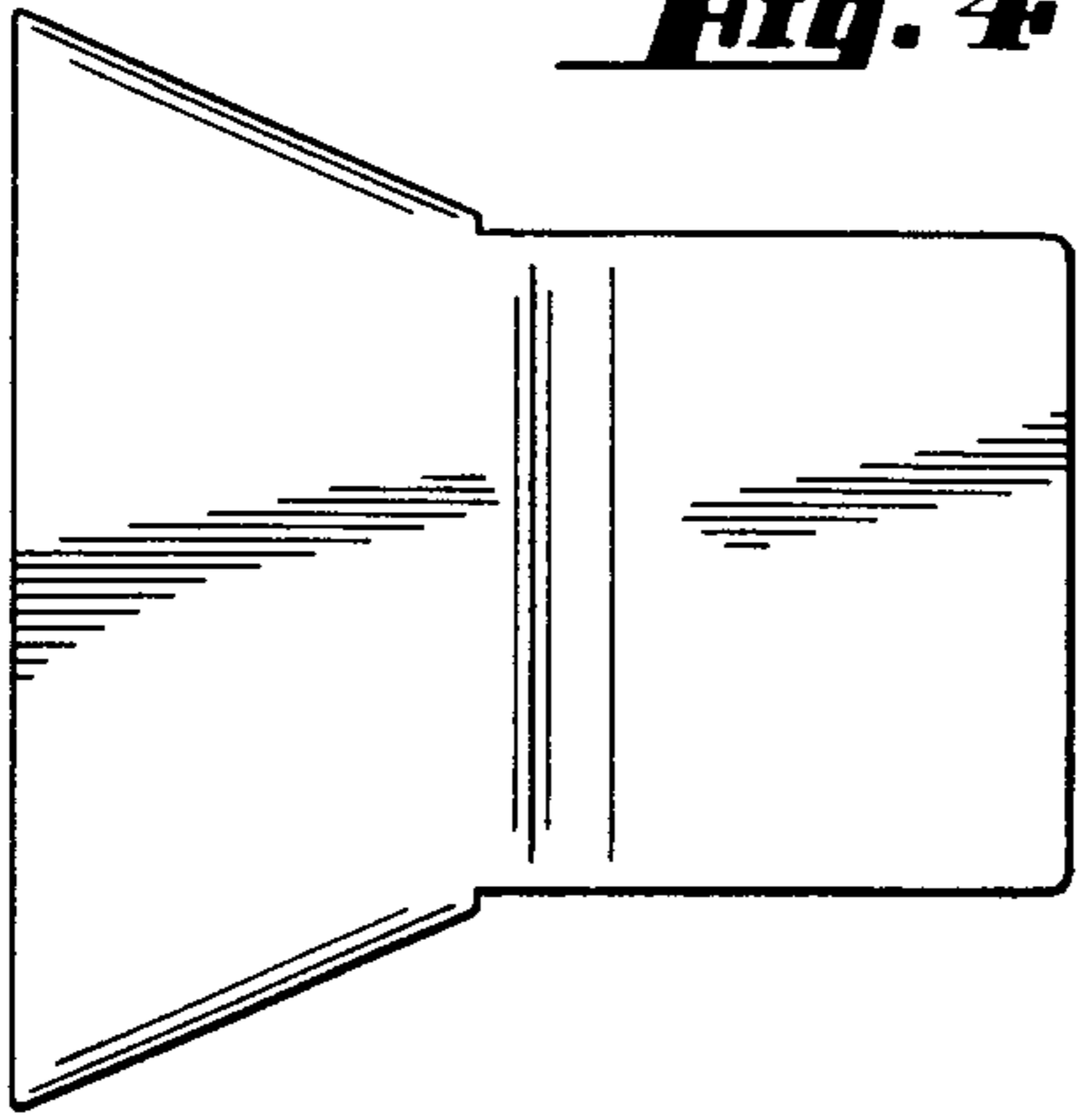


Fig. 8

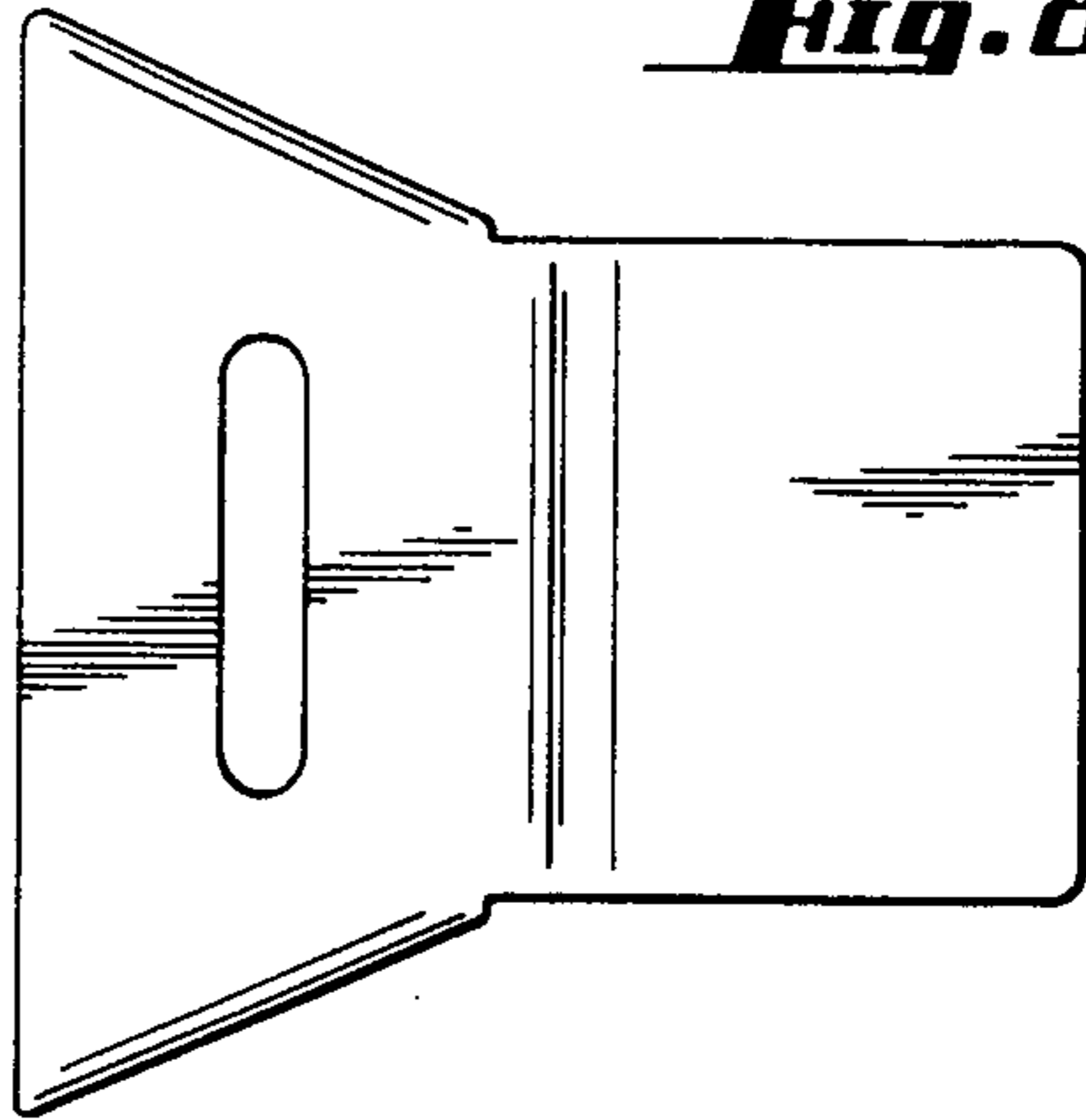


Fig. 5



Fig. 6

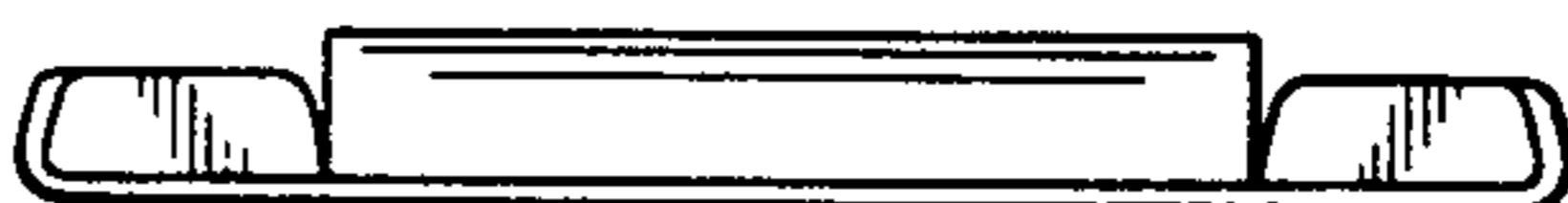


Fig. 7

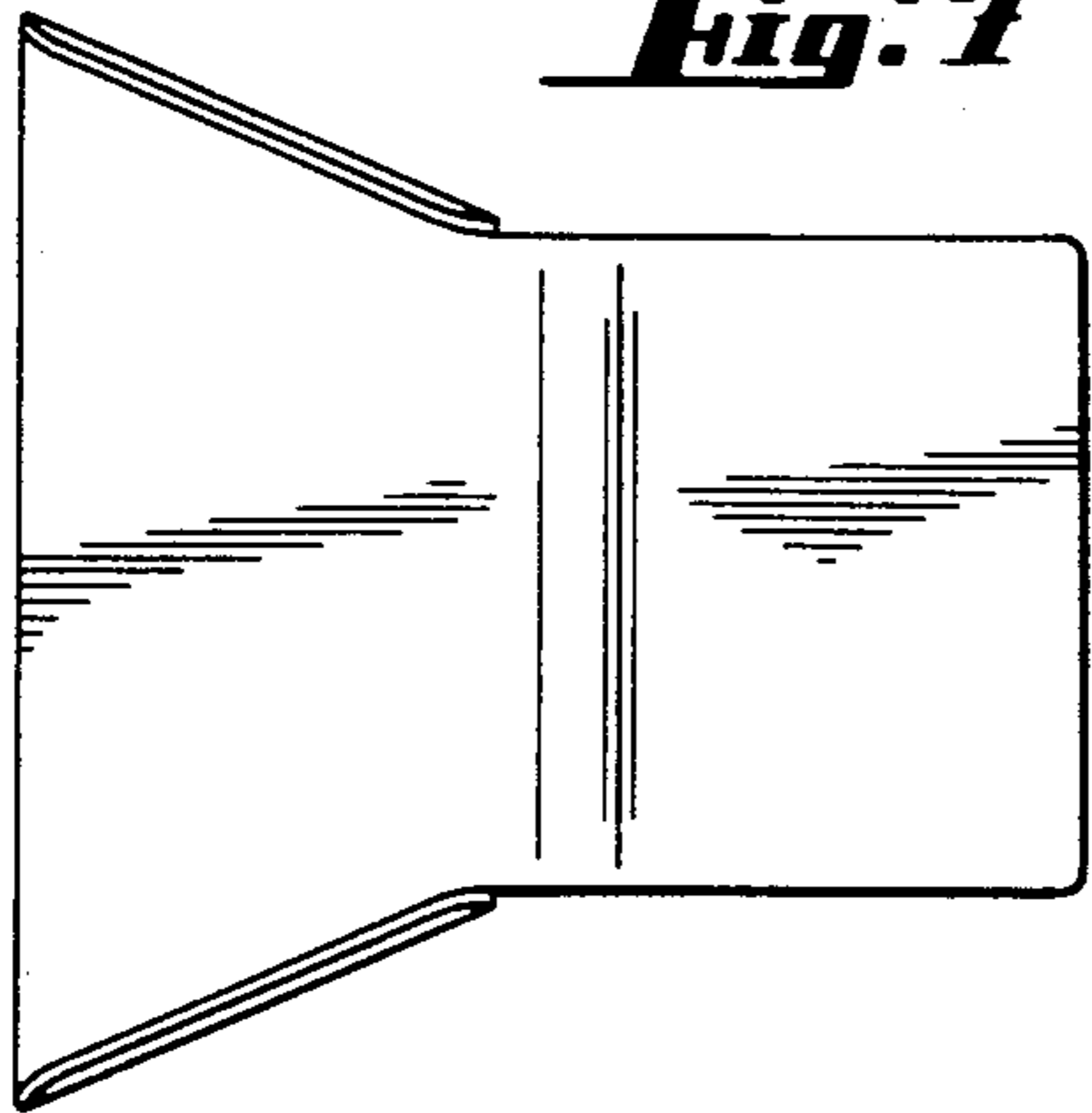


Fig. 9

