

[54] VENTURI WALL FOR WET SEPARATORS AND THE LIKE

[75] Inventors: Lennart Gustavsson; Osten Maatta, both of S-Vaxjo, Sweden

[73] Assignee: Flakt Aktiebolag, Nacka, Sweden

[\*\*] Term: 14 Years

[21] Appl. No.: 508,585

[22] Filed: Jun. 28, 1983

Related U.S. Application Data

[63] Continuation-in-part of Ser. No. 220,734, Dec. 29, 1980.

[30] Foreign Application Priority Data

Jul. 4, 1980 [SE] Sweden ..... 80-1336

[52] U.S. Cl. .... D23/163

[58] Field of Search ..... D23/163-167; 55/223, 238, 240, 241, DIG. 46; 261/DIG. 54; 98/115 SB

[56] References Cited

U.S. PATENT DOCUMENTS

D. 263,738 4/1982 Sixsmith ..... D23/163
D. 273,036 3/1984 Gustavsson et al. .... D23/163
3,138,441 5/1961 Krantz ..... 55/227
3,168,030 2/1965 Wilhelmsson et al. ... 55/DIG. 46 X
3,168,031 2/1965 Wilhelmsson et al. ... 55/DIG. 46 X
3,795,093 3/1974 Gerhard et al. .... 55/238
3,884,654 5/1975 do Crevoisier et al. ... 98/115.5 B X

4,045,524 8/1977 Bornert ..... 261/DIG. 54 X
4,257,784 3/1981 Gerhard et al. .... 261/DIG. 54 X
4,279,196 7/1981 Bloomer ..... 55/DIG. 46 X
4,328,012 5/1982 Telchuk, Jr et al. .... 55/240
4,345,921 3/1982 Gustavsson et al. .... 55/223

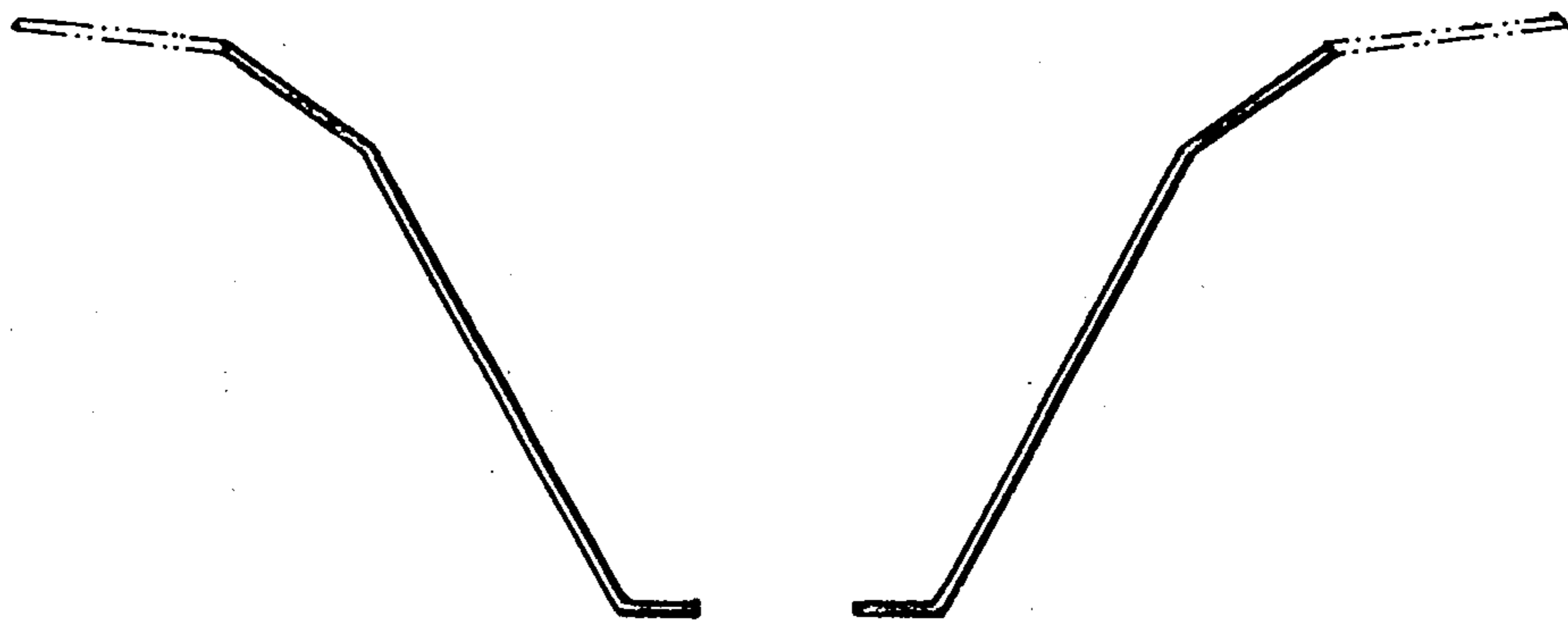
Primary Examiner—James R. Largen
Attorney, Agent, or Firm—Dann, Dorfman, Herrell and Skillman

[57] CLAIM

The ornamental design for a venturi wall for wet separators and the like, substantially as shown and described.

DESCRIPTION

FIG. 1 is a front elevational view of a venturi wall for wet separators and the like embodying our new design; FIG. 2 is a rear elevational view thereof; FIG. 3 is a top plan view thereof; FIG. 4 is a bottom plan view thereof; FIG. 5 is a left side elevational view thereof; FIG. 6 is a front elevational view of a modified form of the venturi wall for wet separators and the like shown in FIG. 1; FIG. 7 is a rear elevational view of FIG. 6; FIG. 8 is a top plan view of FIG. 6; FIG. 9 is a bottom plan view of FIG. 6; and FIG. 10 is a left side elevational view of FIG. 6. It is to be understood that the wall is broken away in FIGS. 3, 4, 5, 8, 9 and 10 to indicate indeterminate length and that the fragmentary broken line showing of support structure in FIGS. 1 through 10 is for purposes of illustration only.



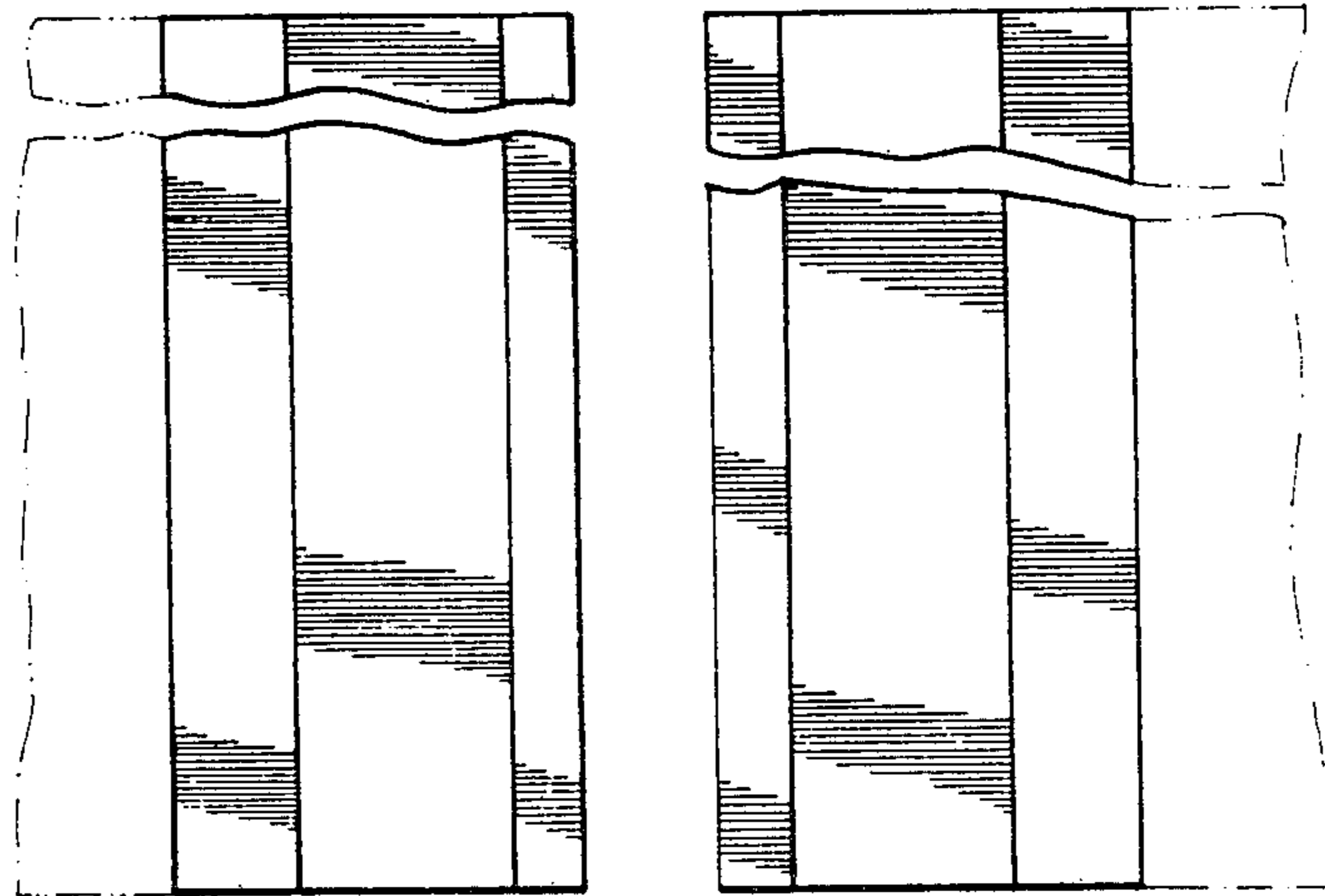
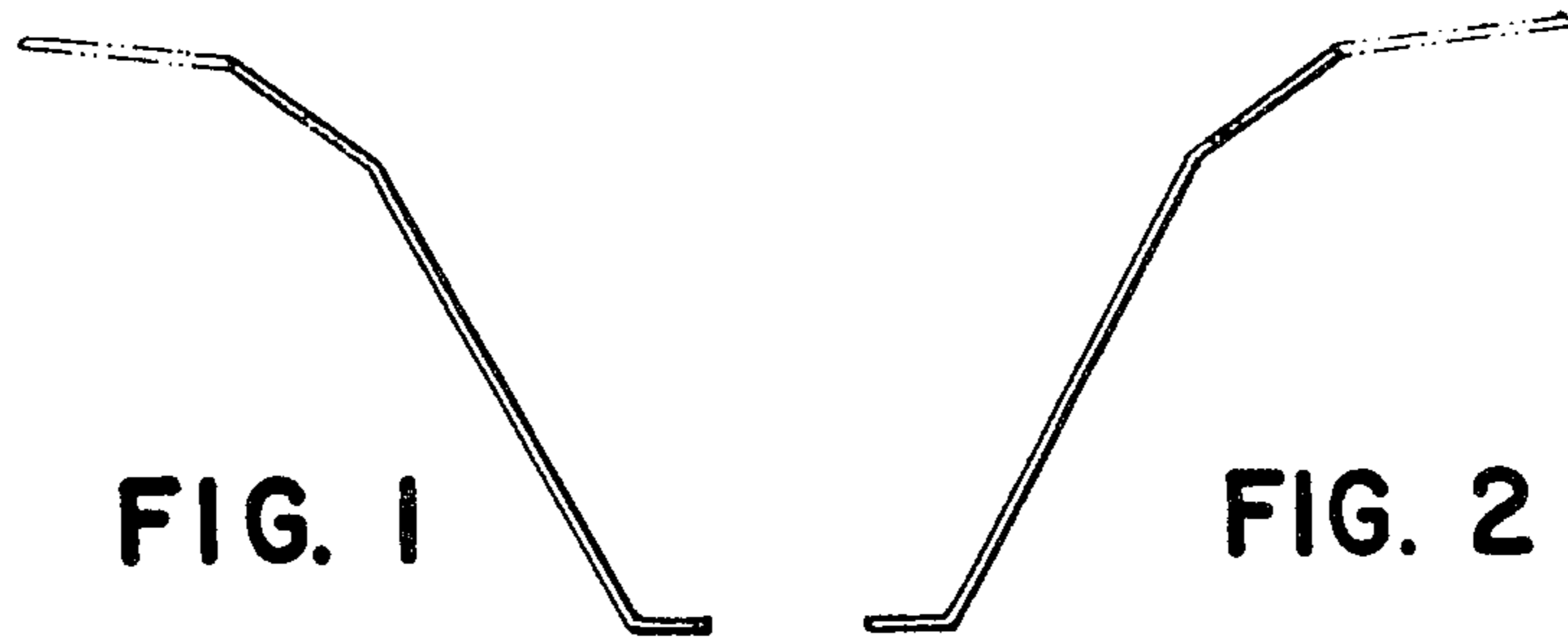


FIG. 3

FIG. 4

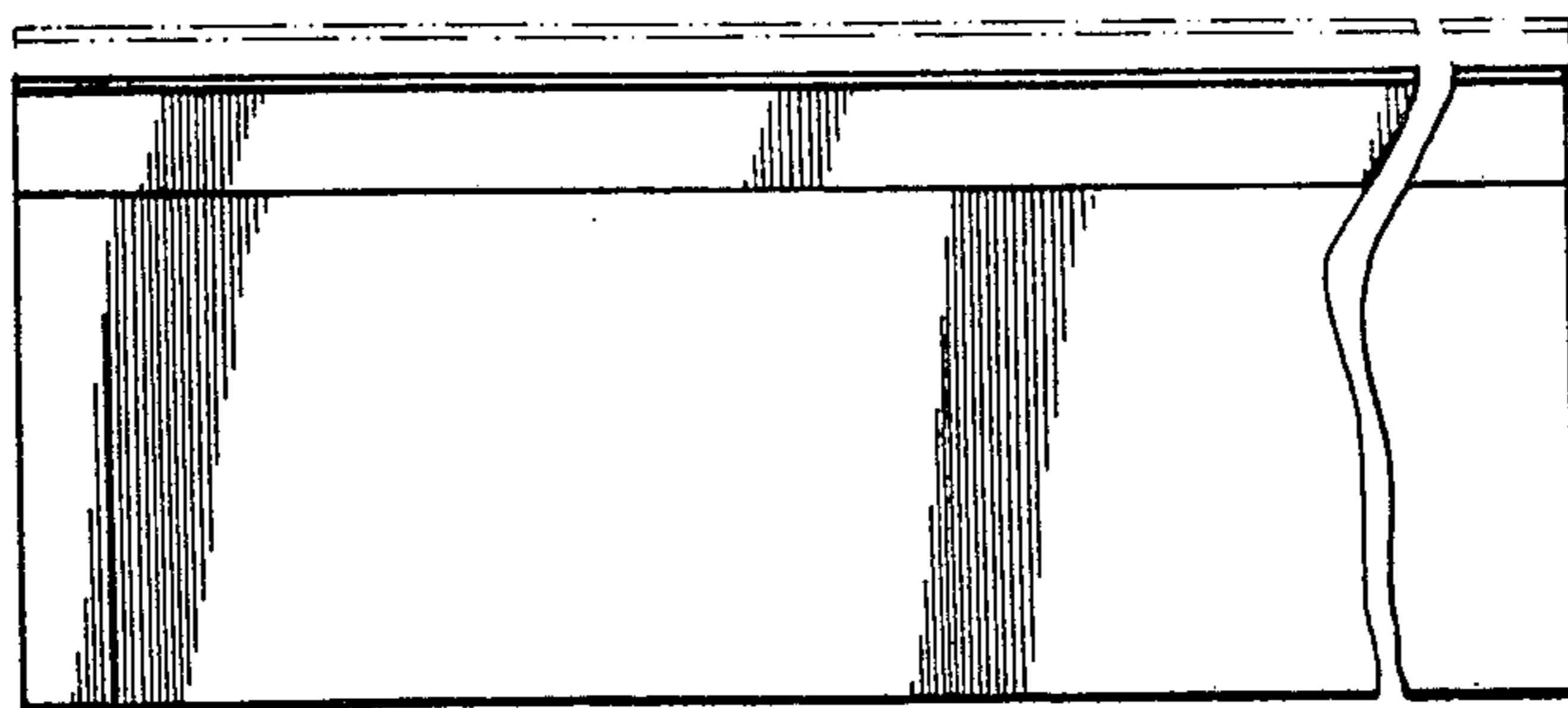


FIG. 5

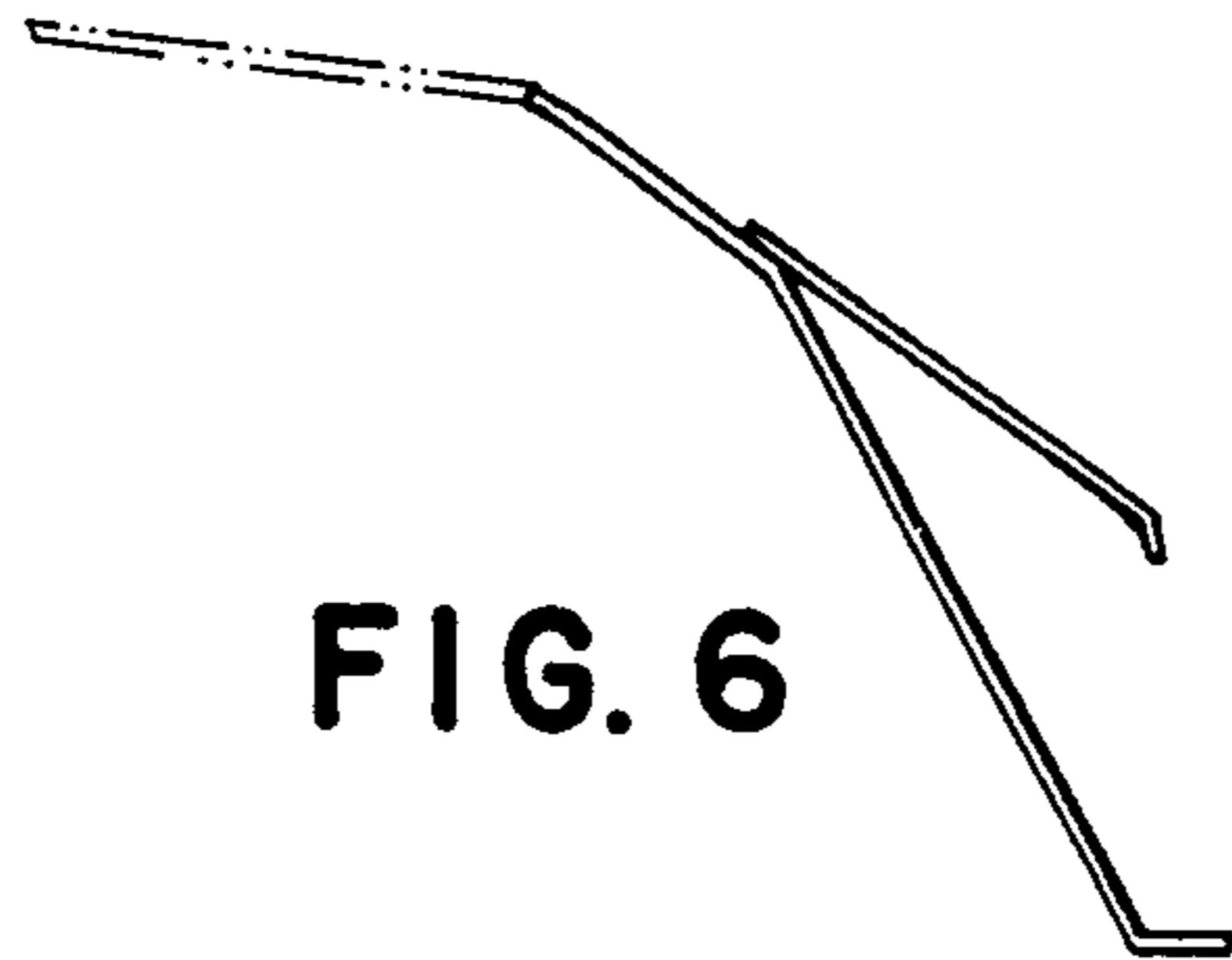


FIG. 6

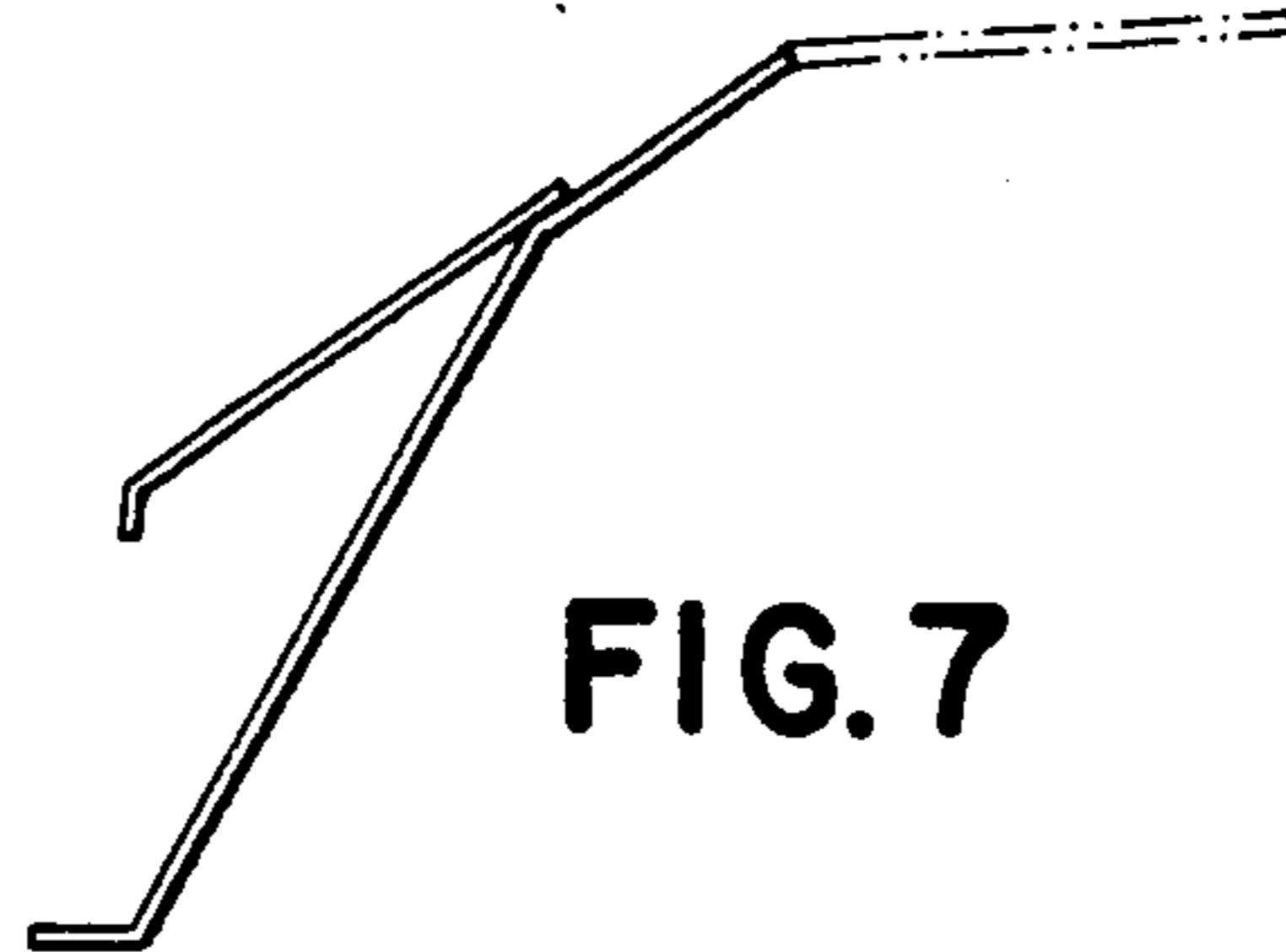


FIG. 7

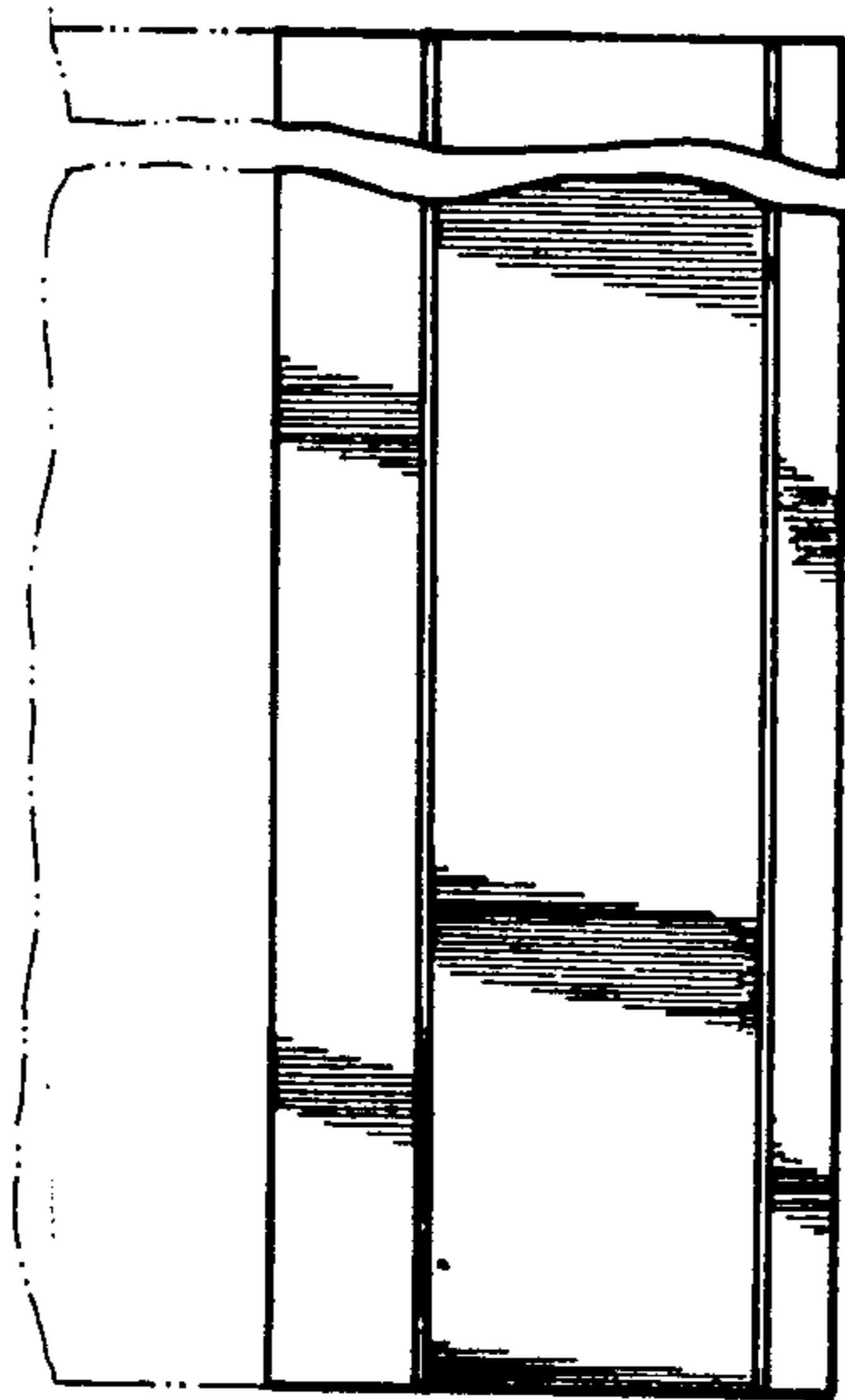


FIG. 8

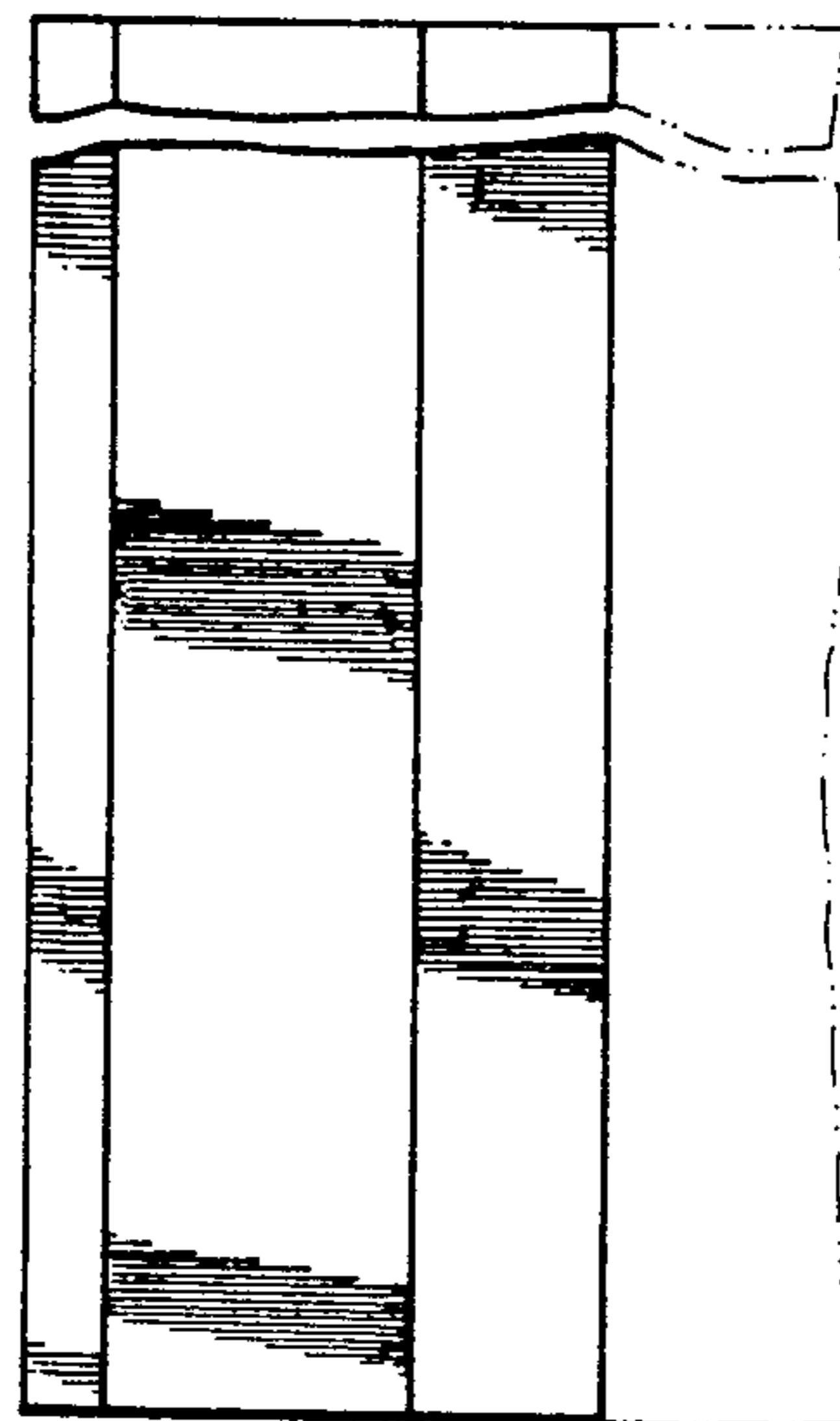


FIG. 9

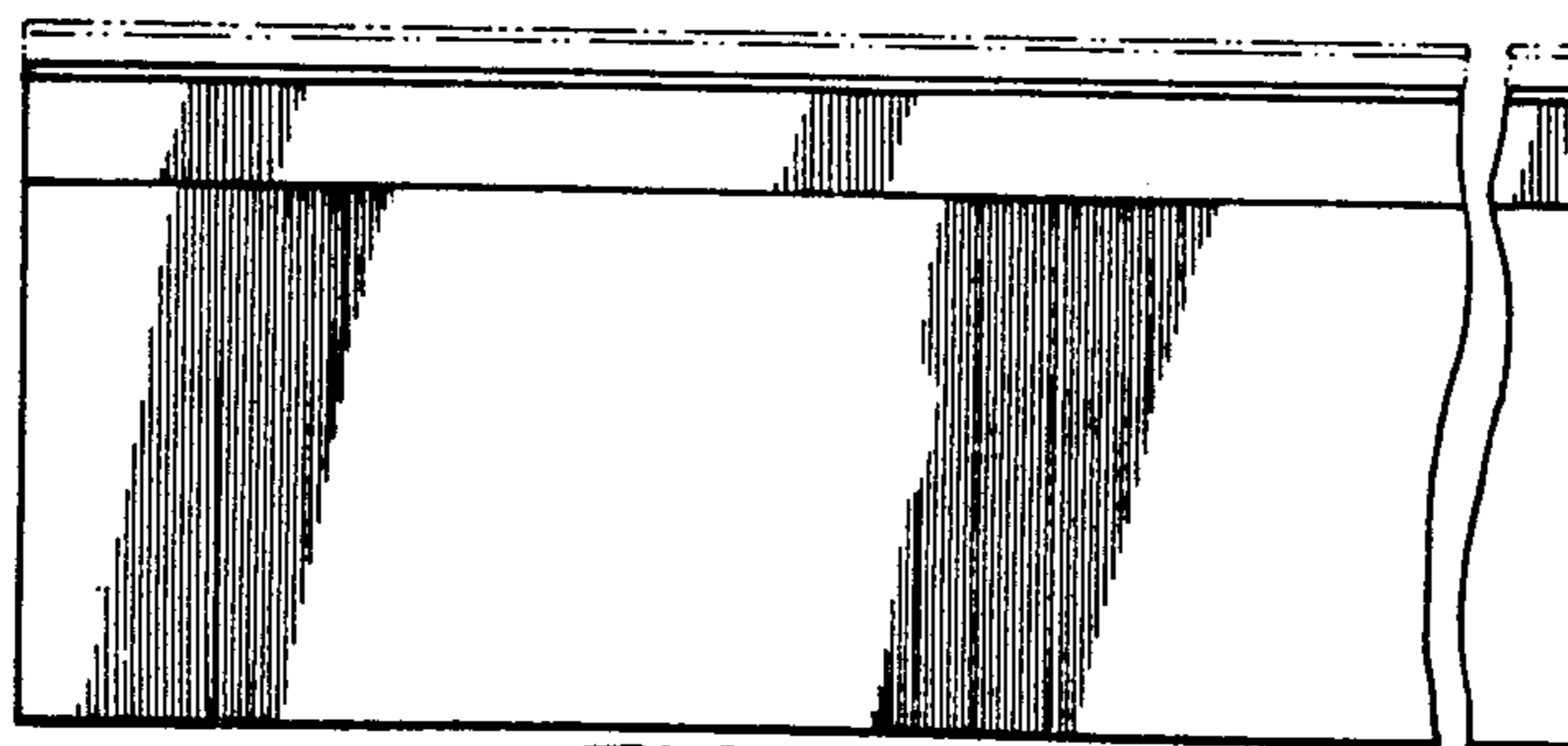


FIG. 10