

[54] AIR CLEANER  
 [75] Inventor: Clifford E. Grube, Niles, Ill.  
 [73] Assignee: Associated Mills, Inc., Chicago, Ill.  
 [\*\*] Term: 14 Years  
 [21] Appl. No.: 524,660  
 [22] Filed: Aug. 19, 1983  
 [52] U.S. Cl. .... D23/149  
 [58] Field of Search ..... D23/149-162;  
 55/279, 316, 467-473

4,148,618 4/1979 Christenson et al. .... 55/279  
 4,272,261 6/1981 Lynch, Jr. et al. .... 55/279  
 4,377,399 3/1983 Bryson ..... 55/472  
 4,385,911 5/1983 Popeil et al. .... 55/316

Primary Examiner—James R. Largen  
 Attorney, Agent, or Firm—Allegretti, Newitt, Witcoff &  
 McAndrews, Ltd.

[57] CLAIM

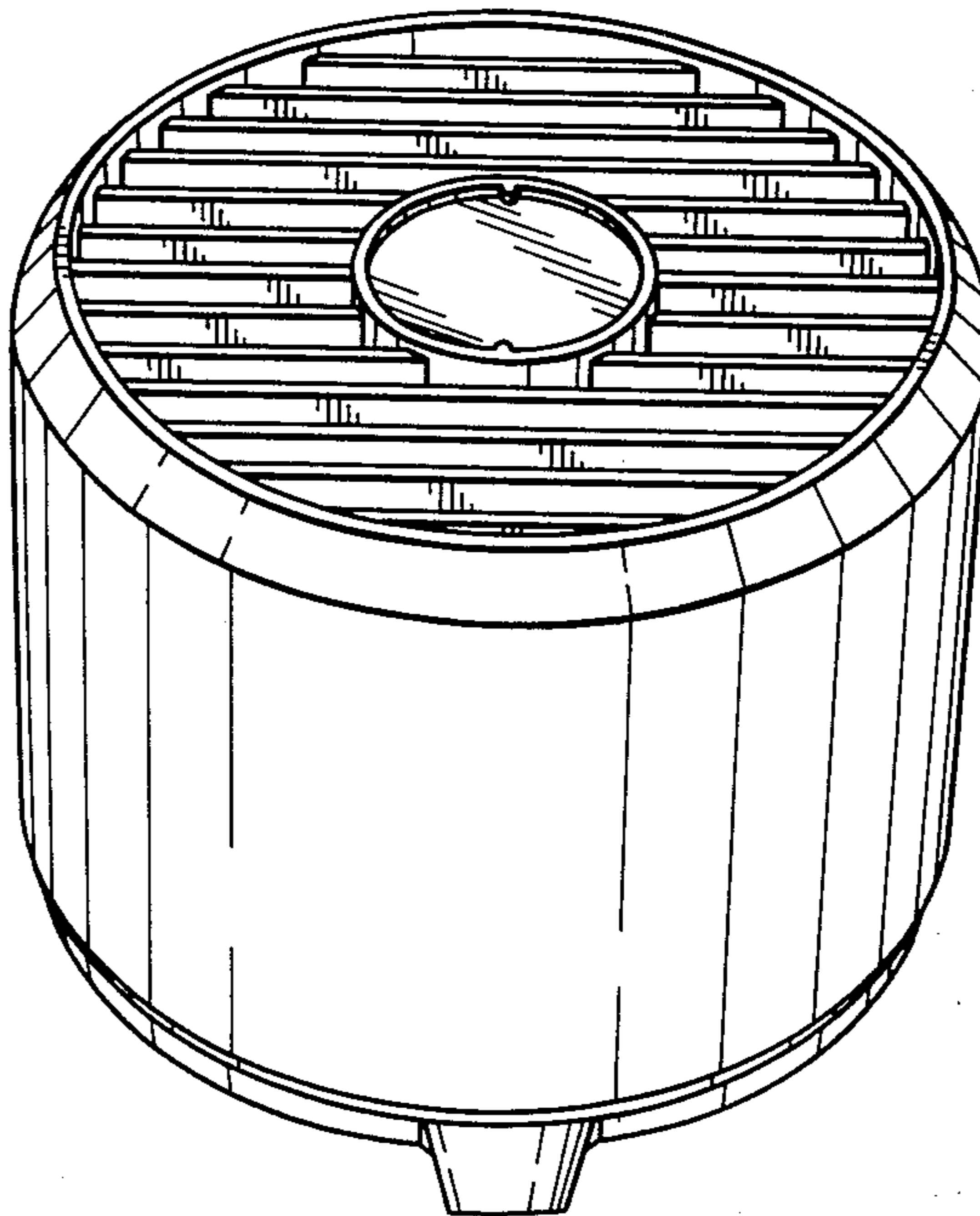
The ornamental design for an air cleaner, as shown and described.

DESCRIPTION

FIG. 1 is a perspective view of an air cleaner showing my new design;  
 FIG. 2 is a top plan view thereof;  
 FIG. 3 is a front elevational view thereof;  
 FIG. 4 is a right side elevational view thereof, the left side being the same as the right side shown;  
 FIG. 5 is a rear elevational view thereof; and  
 FIG. 6 is a bottom plan view thereof.

[56] References Cited  
 U.S. PATENT DOCUMENTS

D. 267,114 11/1982 Lynch, Jr. et al. .... D23/149  
 D. 272,646 2/1984 Tsuij et al. .... D23/149  
 D. 272,757 2/1984 Fee et al. .... D23/149  
 D. 274,645 7/1984 Grube ..... D23/149  
 D. 274,837 7/1984 Lynch et al. .... D23/149  
 3,966,442 6/1976 Waters ..... 55/316



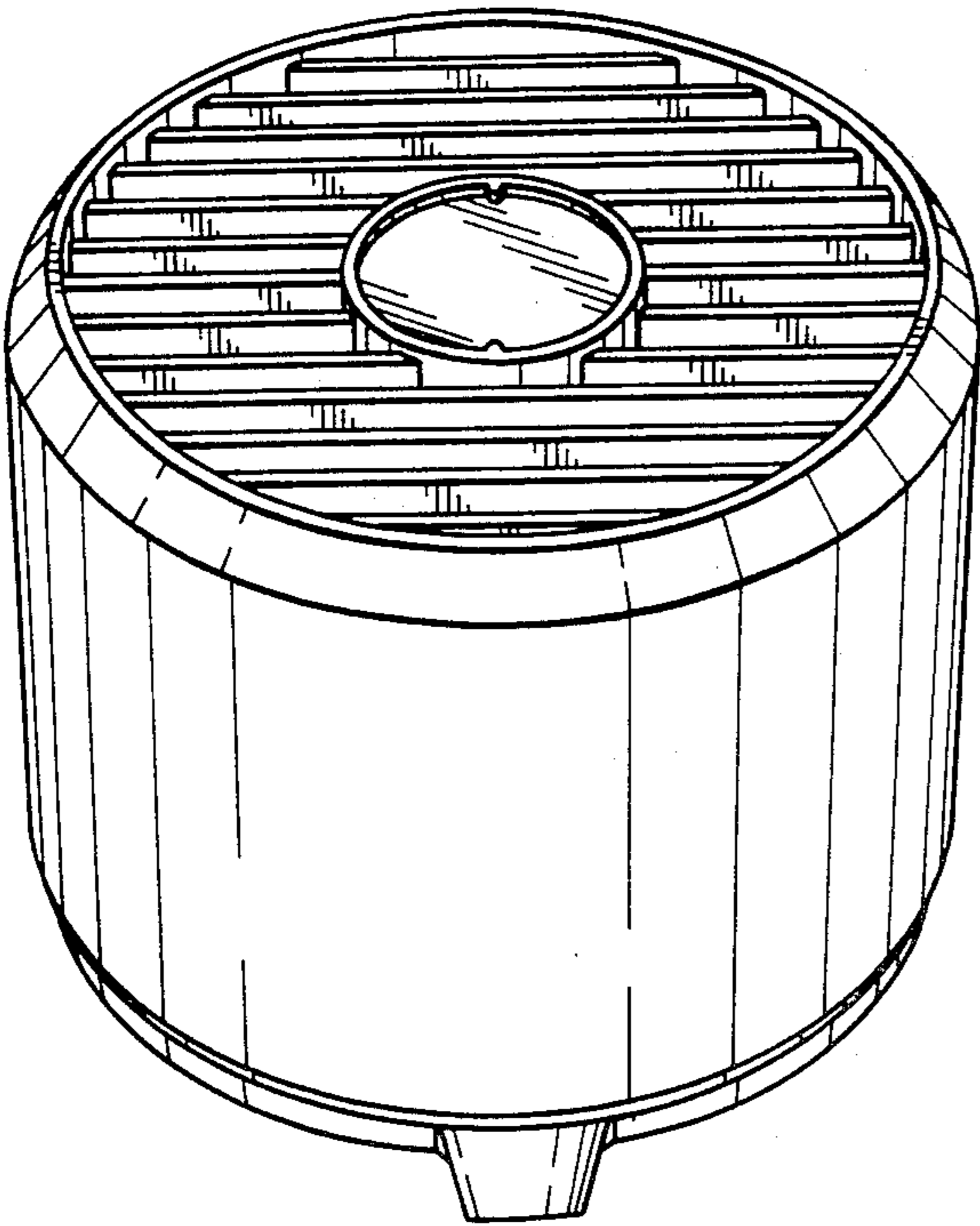


FIG. 1

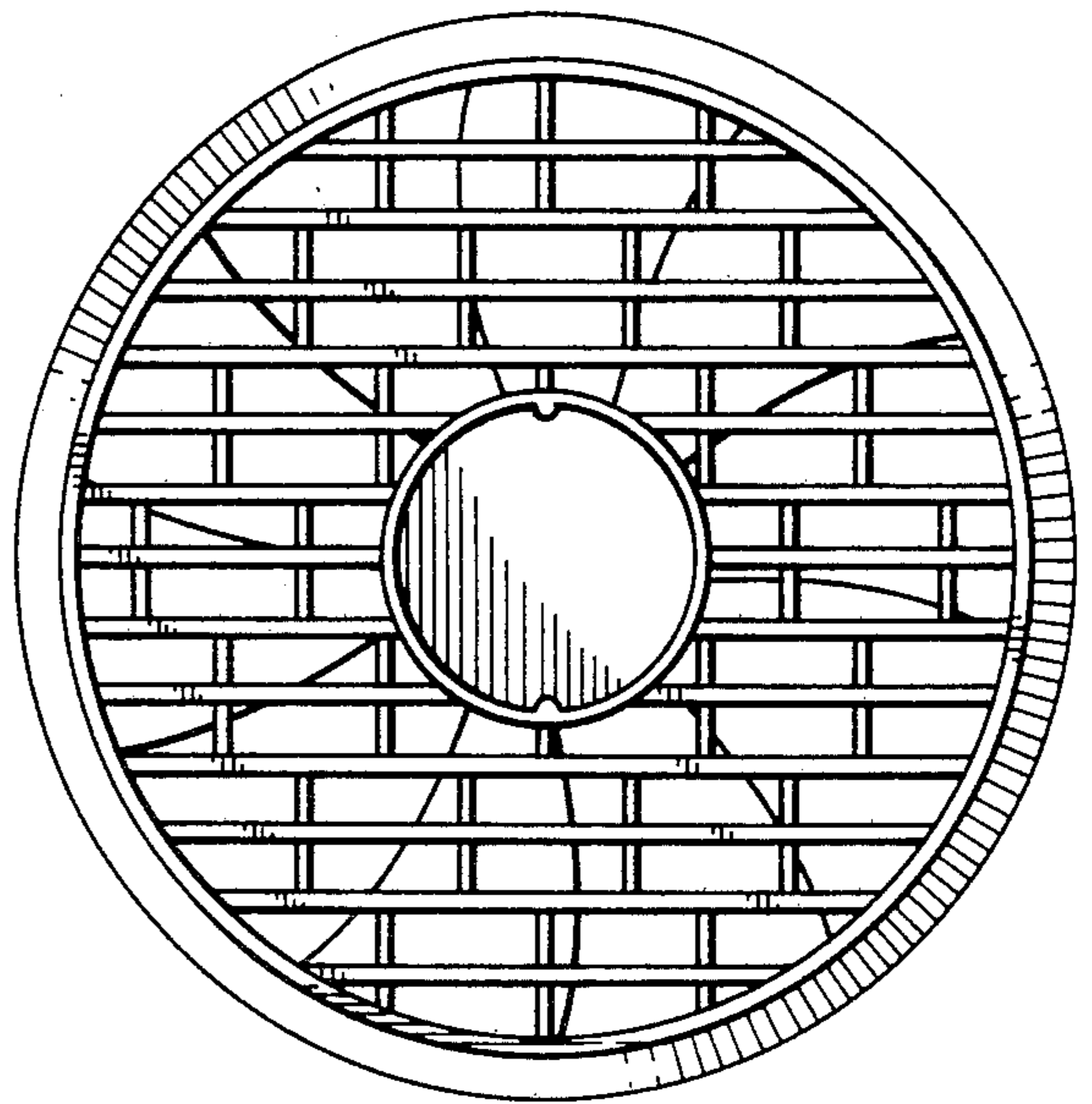


FIG. 2

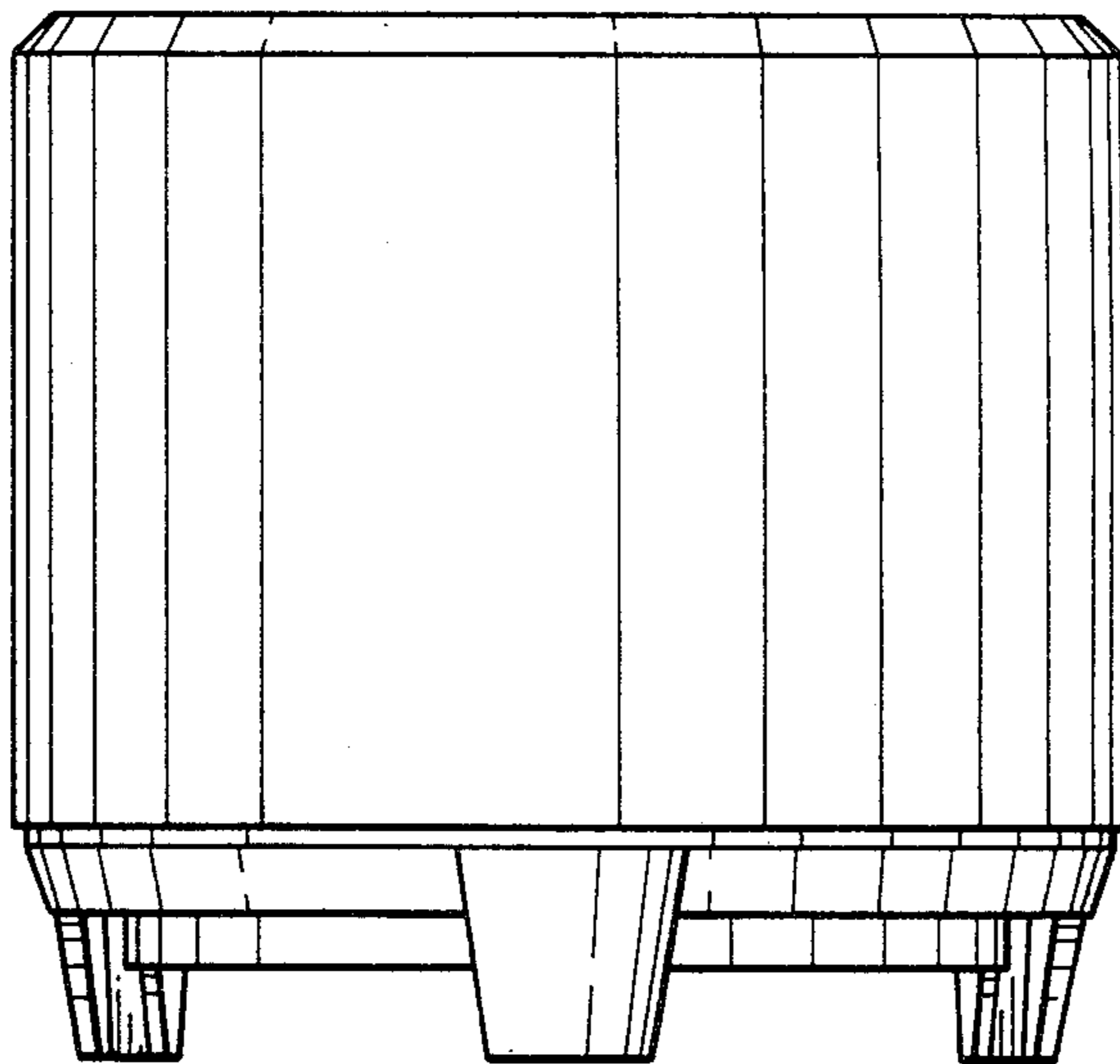


FIG. 3

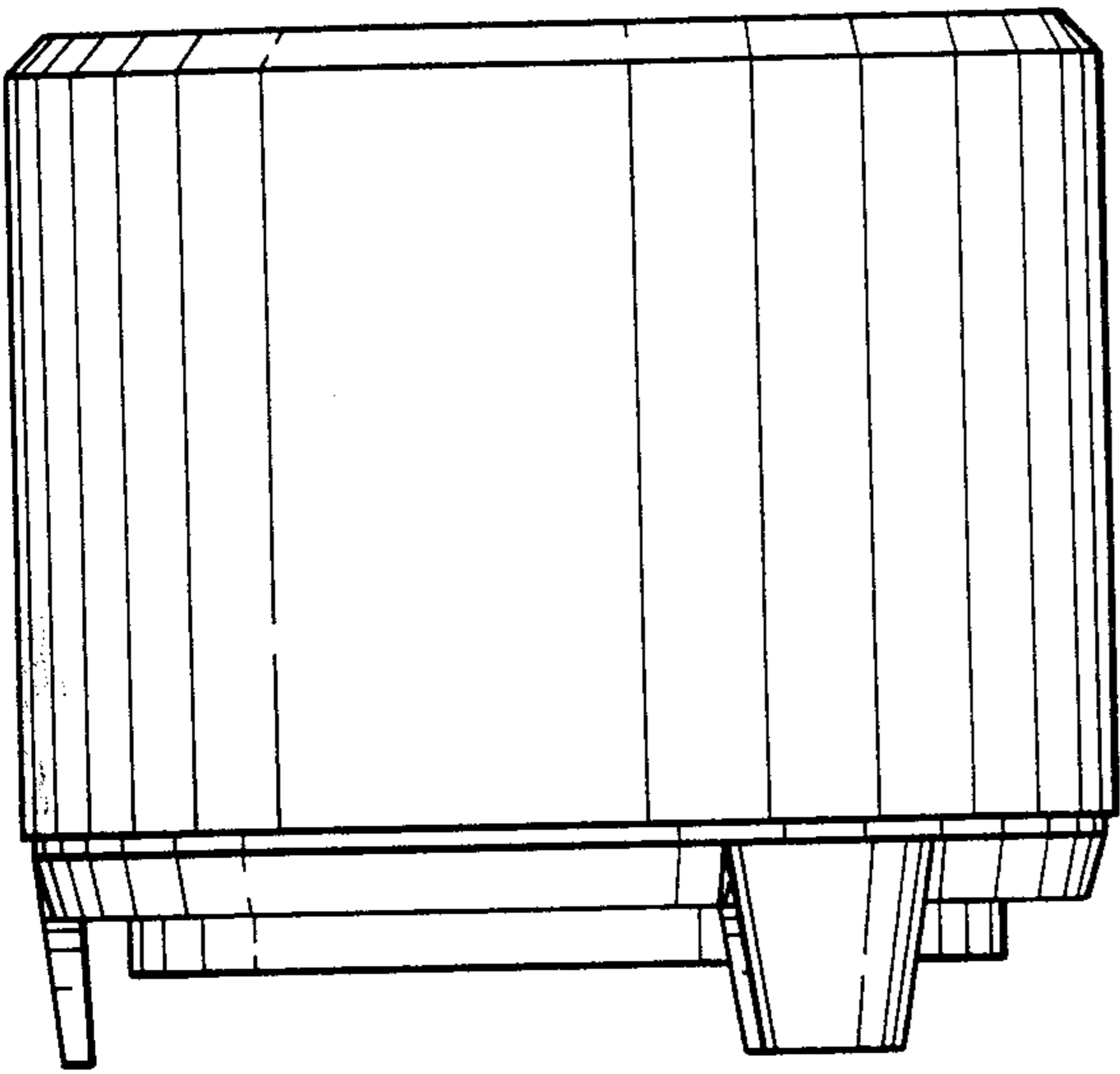


FIG. 4

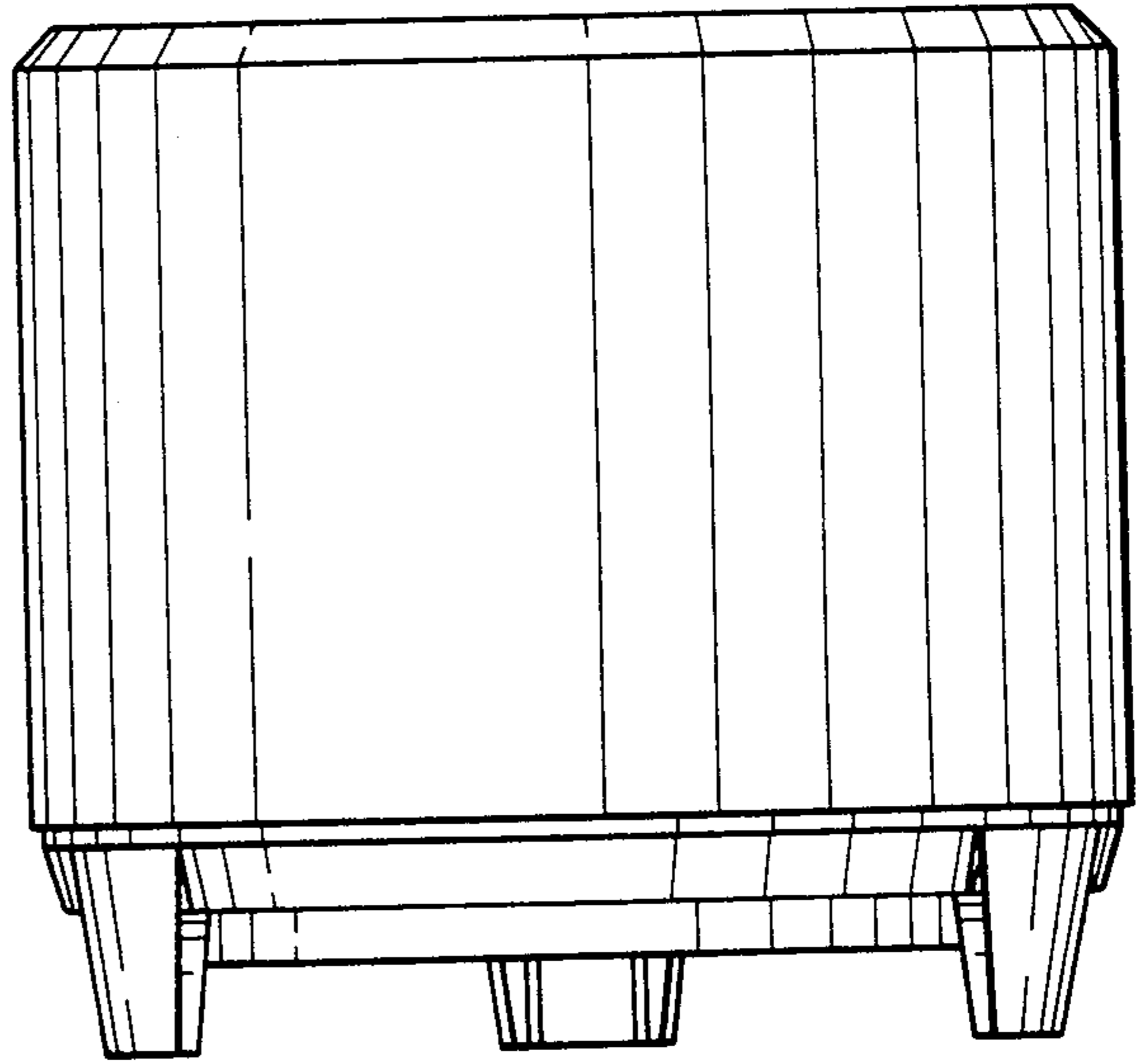


FIG. 5

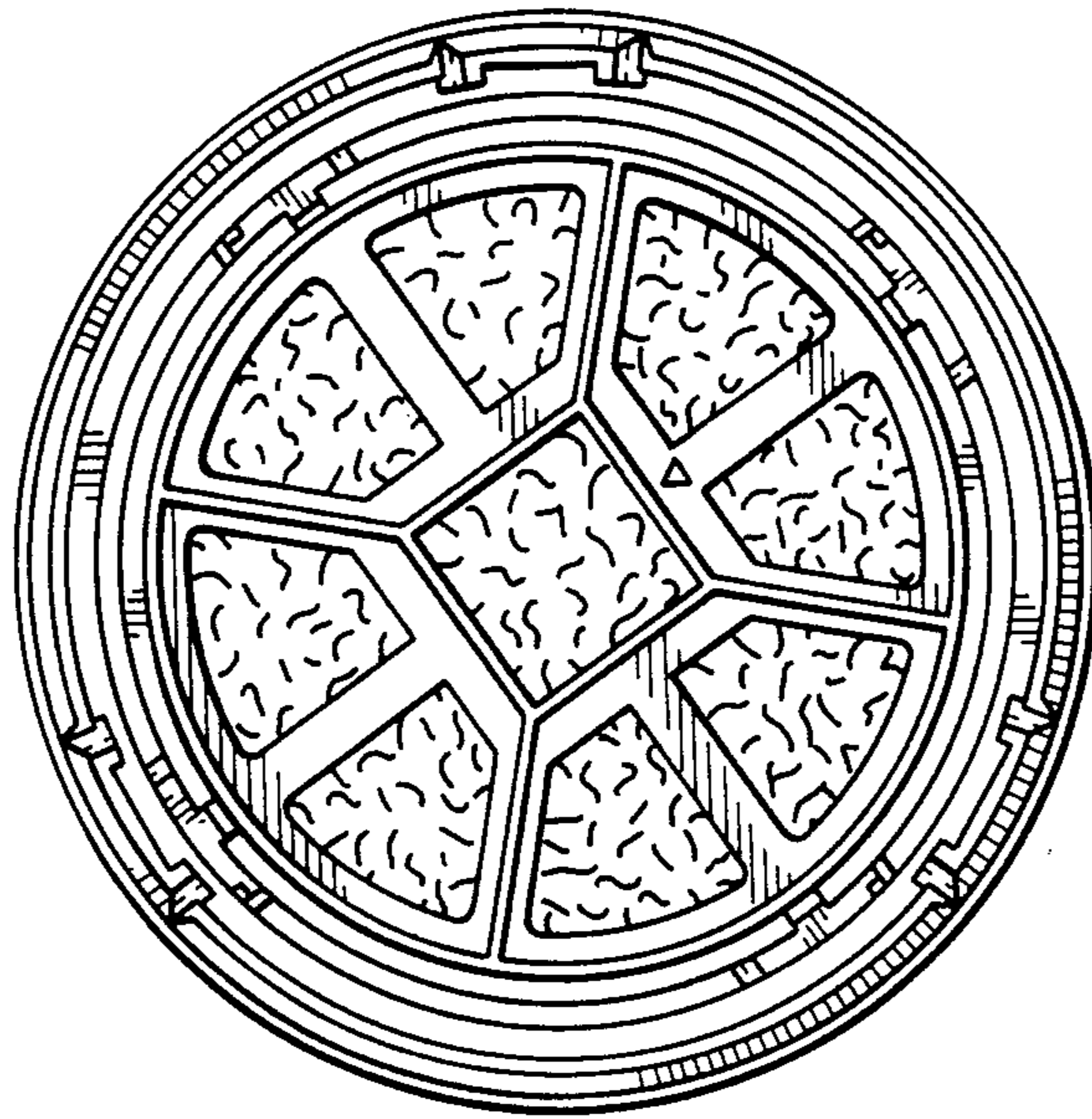


FIG. 6