

[54] POWERED AGRICULTURAL APPARATUS

2382363 11/1978 France 172/257

[75] Inventor: Yoshio Mikado, Saitama, Japan

[73] Assignee: Honda Giken Kogyo K.K., Tokyo, Japan

[**] Term: 14 Years

[21] Appl. No.: 529,181

[22] Filed: Sep. 2, 1983

[30] Foreign Application Priority Data

Apr. 11, 1983 [JP] Japan 58-15287

[52] U.S. Cl. D15/12

[58] Field of Search D15/10, 11, 12, 22; 172/42, 43, 256, 257

[56] References Cited

U.S. PATENT DOCUMENTS

- D. 269,784 7/1983 Stark D15/12
- 4,015,668 4/1977 Wilson 172/43
- 4,071,922 2/1978 Davies et al. 172/42
- 4,077,731 3/1978 Holz, Sr. et al. 172/42

FOREIGN PATENT DOCUMENTS

- 2346955 4/1976 France 172/42

OTHER PUBLICATIONS

Le Claire Manufacturing Co., 8/1954, front cover, Garden Cultivator on page. Implement And Tractor, Jan. 1981, p. 1-9, Cultivator, second from bottom on left side.

Primary Examiner—B. J. Bullock
Assistant Examiner—Suzanne N. Gitlin
Attorney, Agent, or Firm—Sughrue, Mion, Zinn, Macpeak & Seas

[57] CLAIM

The ornamental design for a powered agricultural apparatus, as shown.

DESCRIPTION

FIG. 1 is a front, top and right side perspective view of a powered agricultural apparatus showing my new design;
FIG. 2 is a front elevational view thereof;
FIG. 3 is a rear elevational view thereof;
FIG. 4 is a top plan view thereof;
FIG. 5 is a bottom plan view thereof;
FIG. 6 is a left side elevational view thereof; and
FIG. 7 is a right side elevational view thereof.

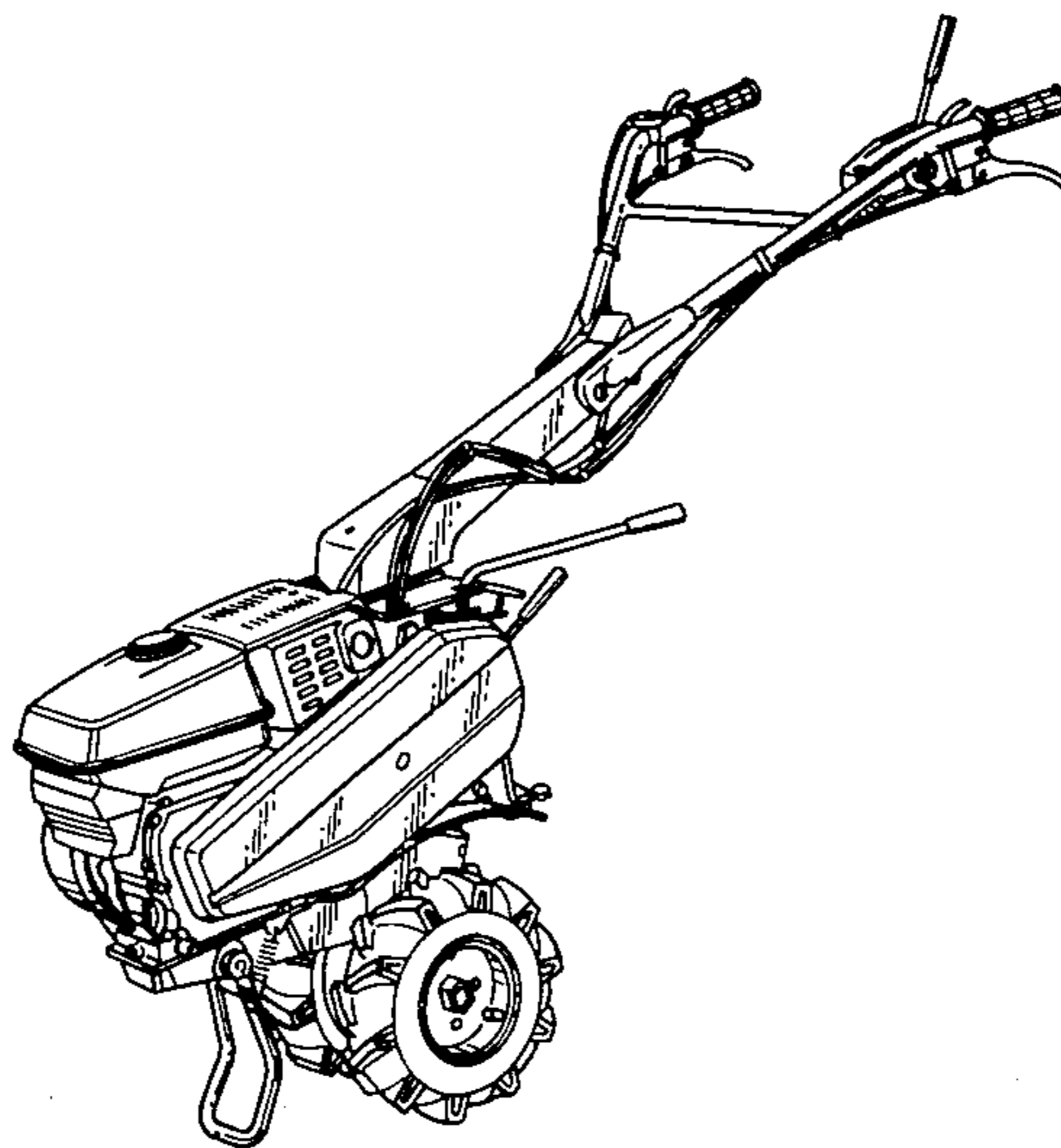


Fig. 1

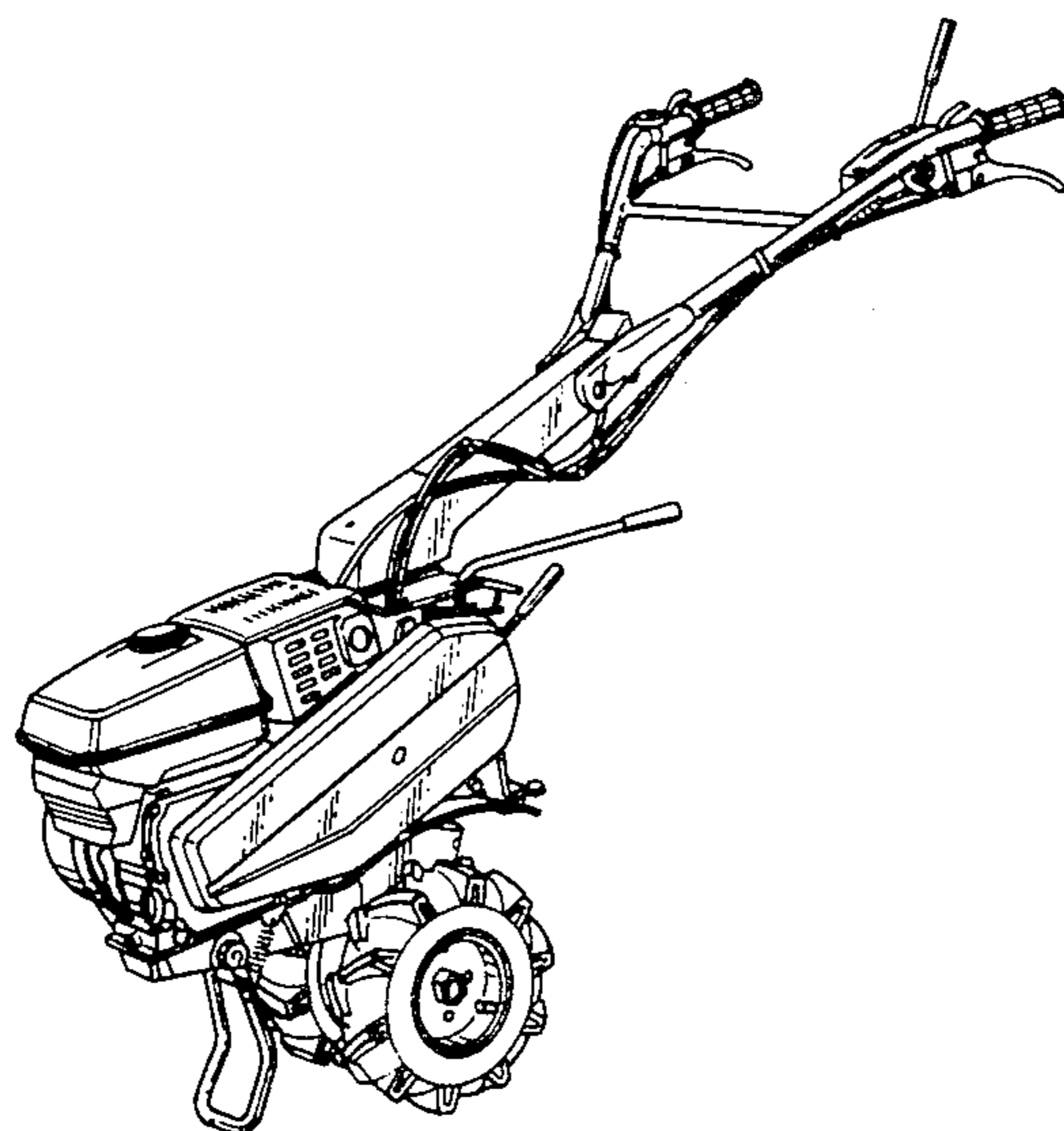


Fig. 2

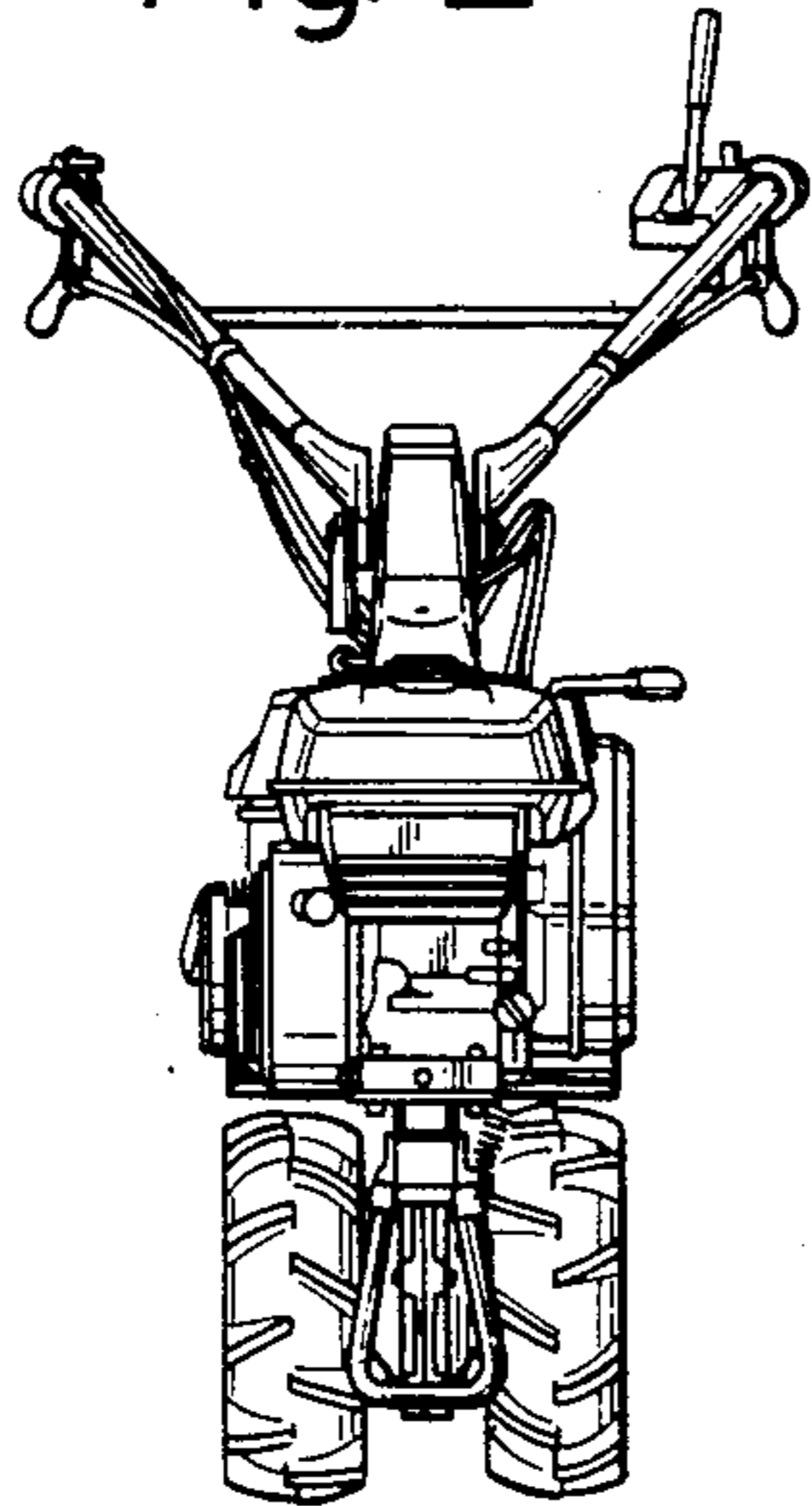


Fig. 3

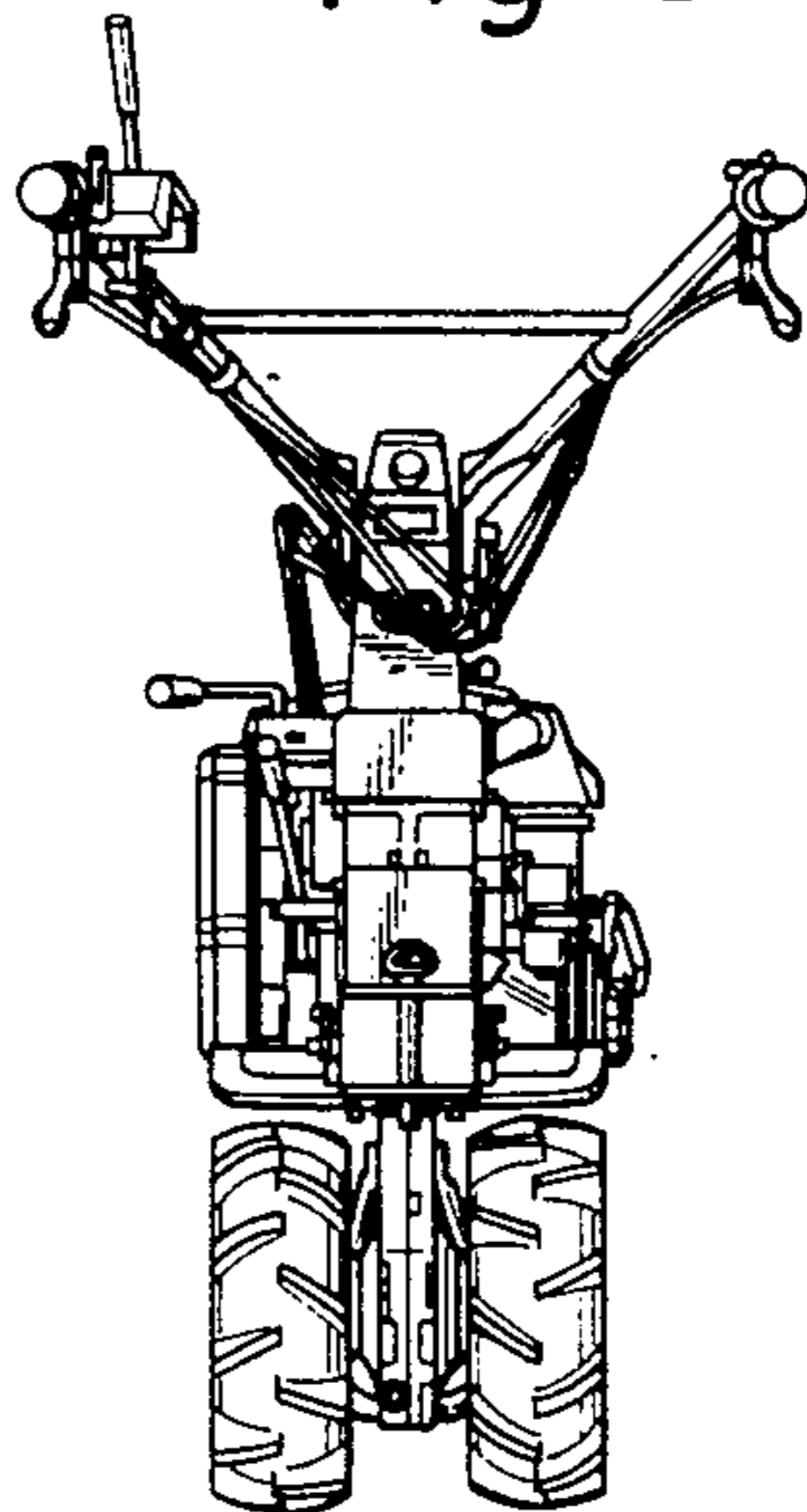


Fig. 4

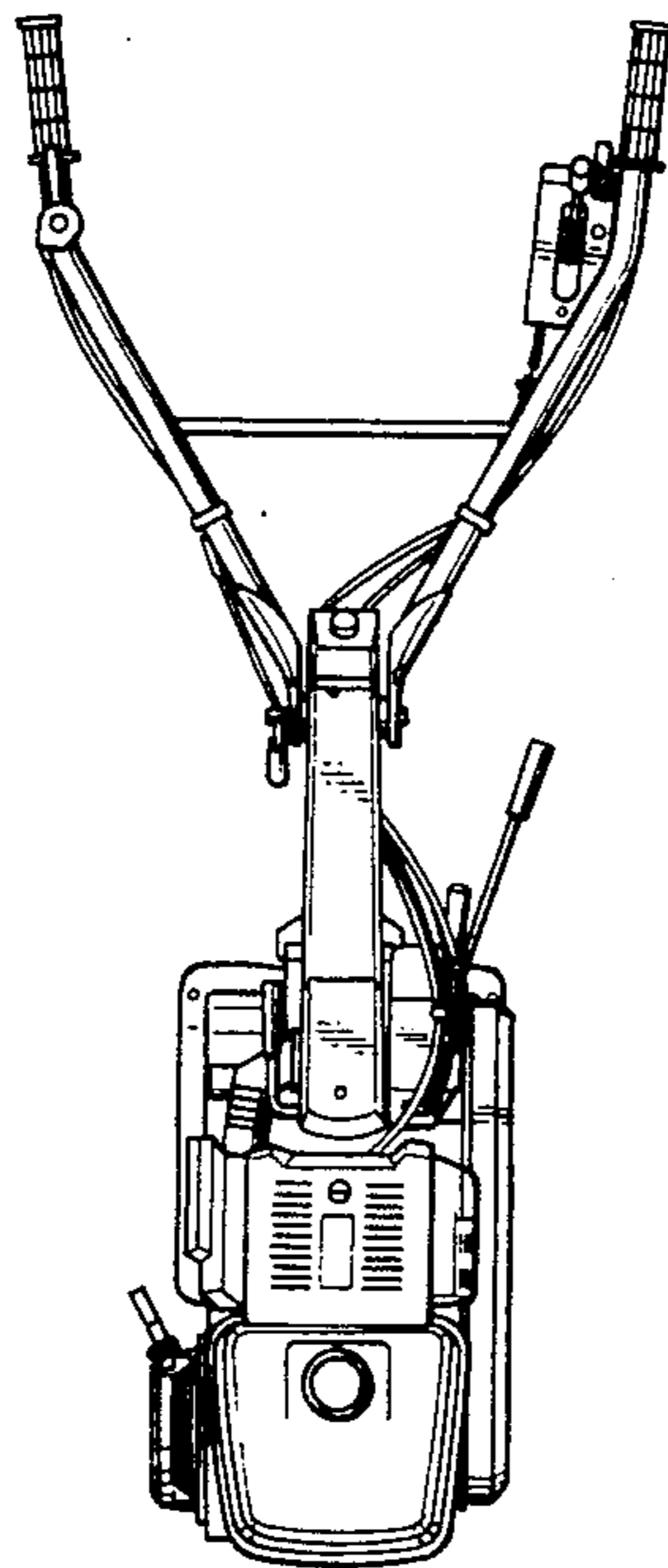


Fig. 5

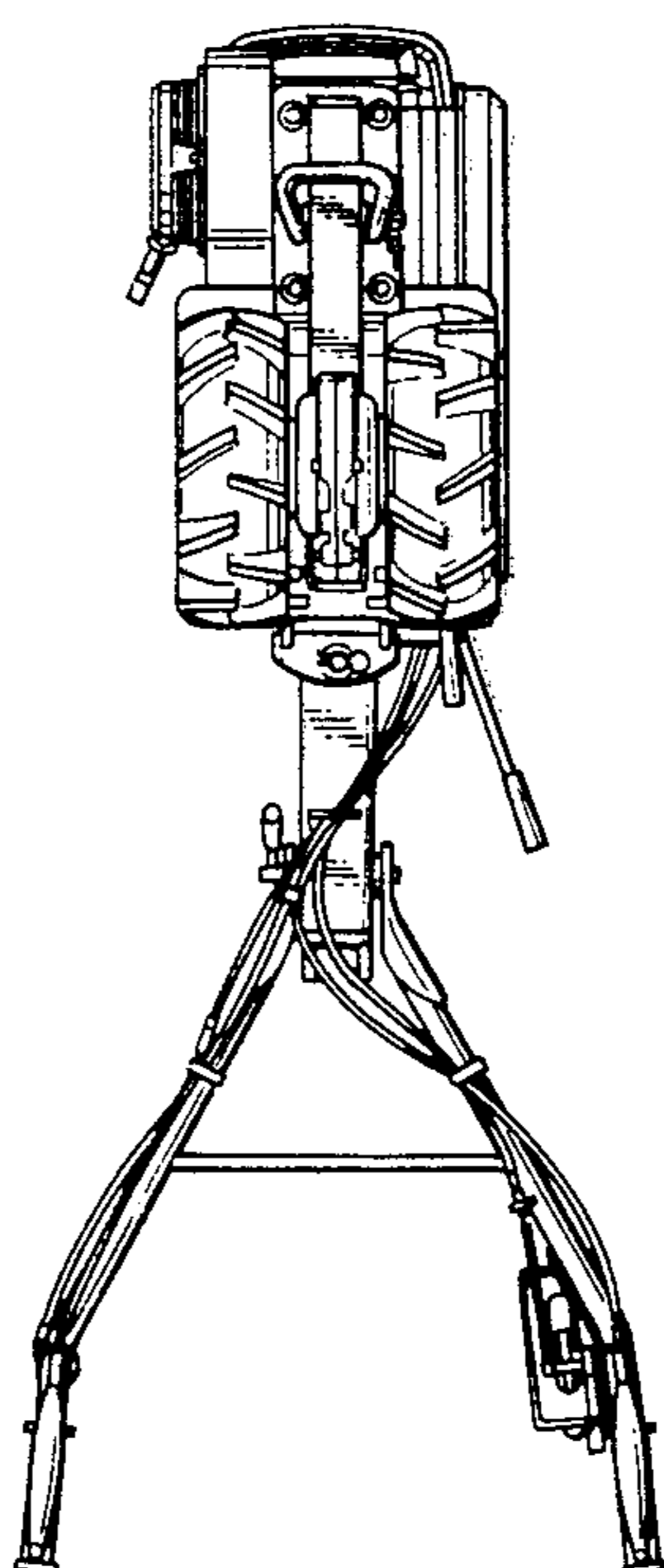


Fig. 6

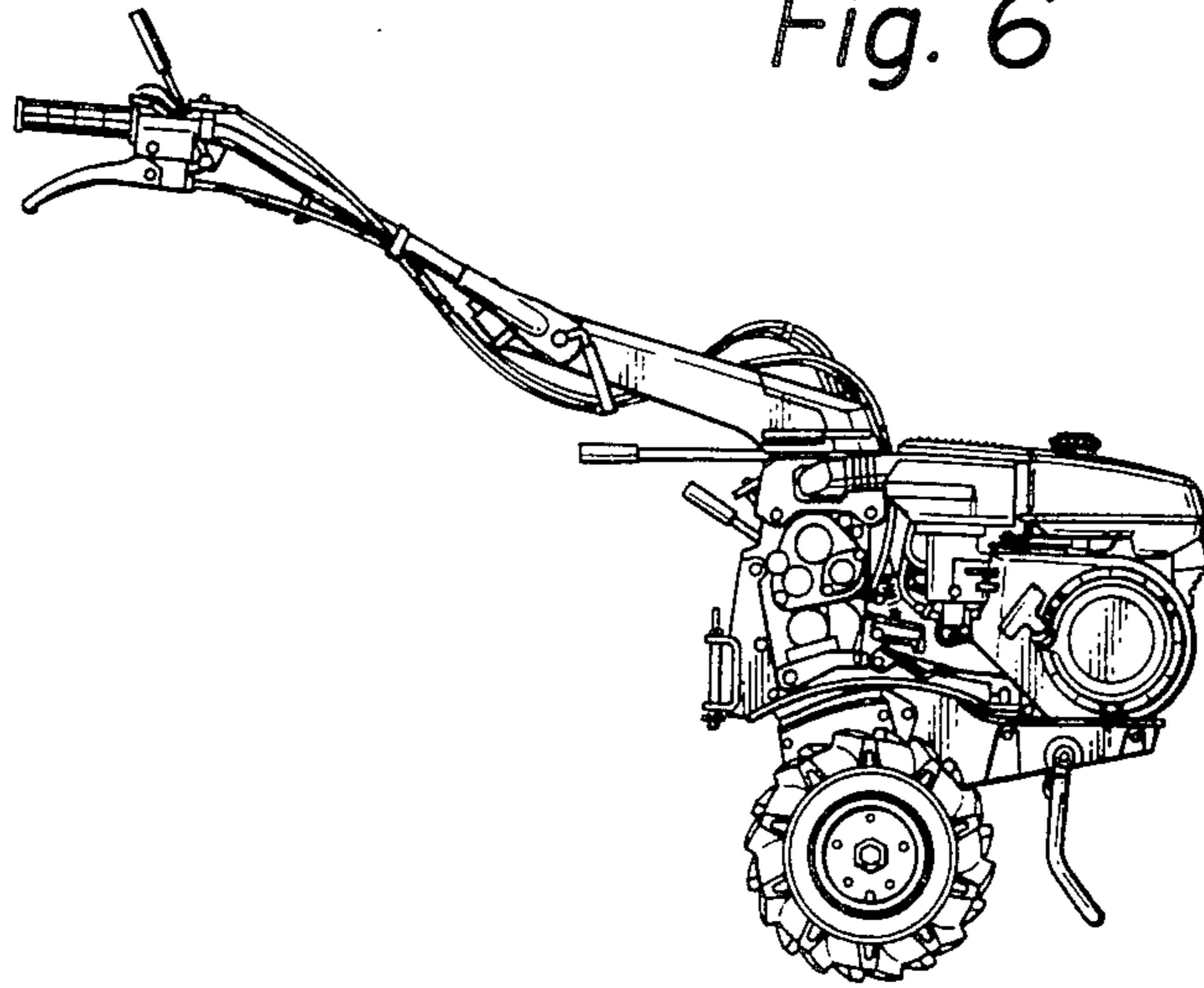


Fig. 7

