

[54] AIR COMPRESSOR

[75] Inventor: Walter B. Herbst, Chicago, Ill.

[73] Assignee: Thomas Industries Inc., Louisville, Ky.

[**] Term: 14 Years

[21] Appl. No.: 503,055

[22] Filed: Jun. 10, 1983

[52] U.S. Cl. D15/9

[58] Field of Search D15/7, 9; 417/222, 231, 417/234, 259, 265, 266, 268, 415

[56] References Cited

U.S. PATENT DOCUMENTS

- D. 273,789 5/1984 Davis D15/9
- D. 273,958 5/1984 Mariol D15/9

OTHER PUBLICATIONS

Gast Mfg. Corp. Brochure, Catalog #5-30 (11-1977) pp. 48-51.

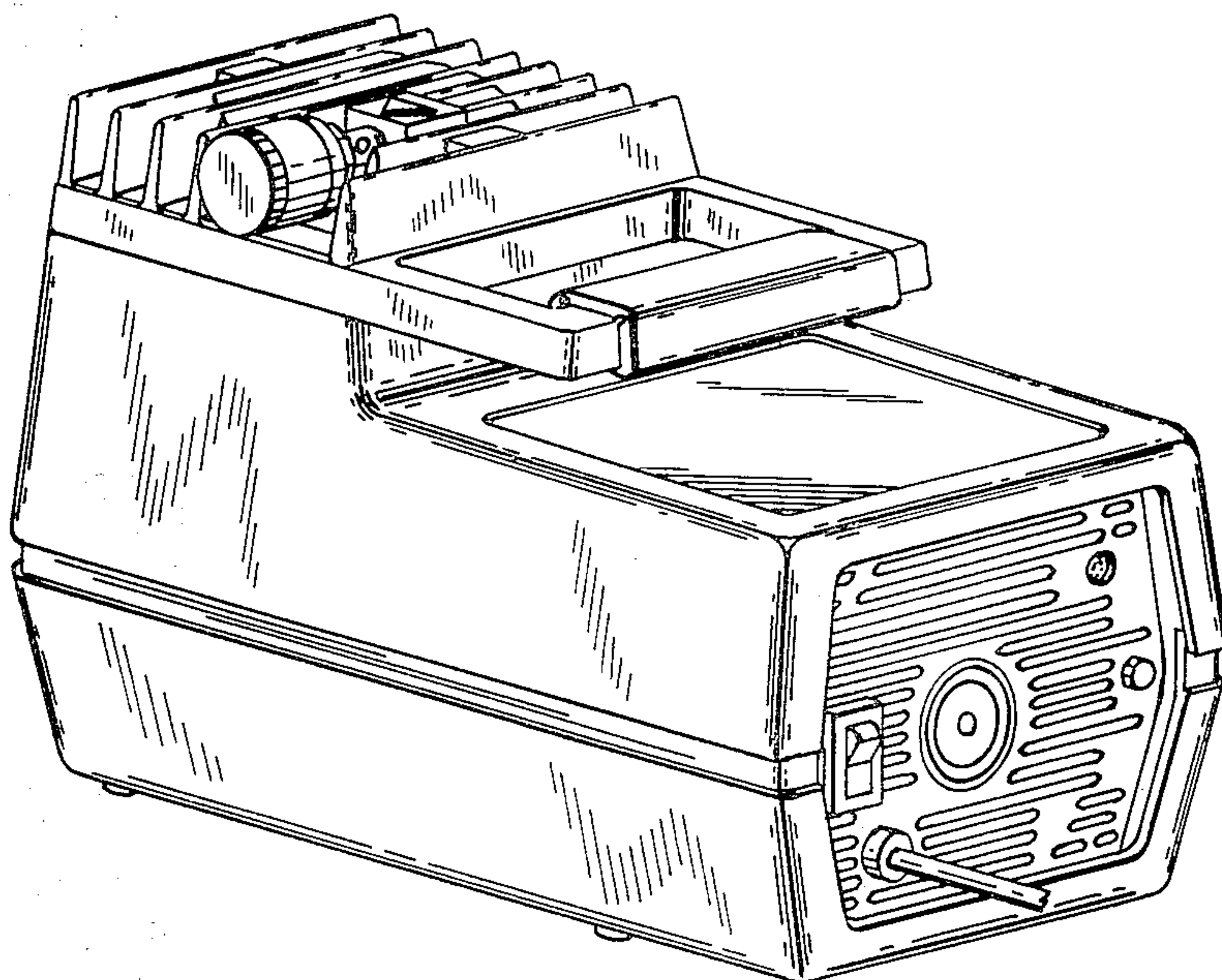
Primary Examiner—Wallace R. Burke
Assistant Examiner—Lynn Wilder
Attorney, Agent, or Firm—Emrich & Dithmar

[57] CLAIM

The ornamental design for an air compressor, substantially as shown and described.

DESCRIPTION

FIG. 1 is a perspective view of an air compressor showing my new design;
FIG. 2 is an elevational view thereof showing the side opposite that in FIG. 1;
FIG. 3 is a front elevational view thereof;
FIG. 4 is a rear elevational view thereof;
FIG. 5 is a top plan view thereof.
The design resides in the portions shown in full lines in the drawing; the underside of the design being without ornamentation.



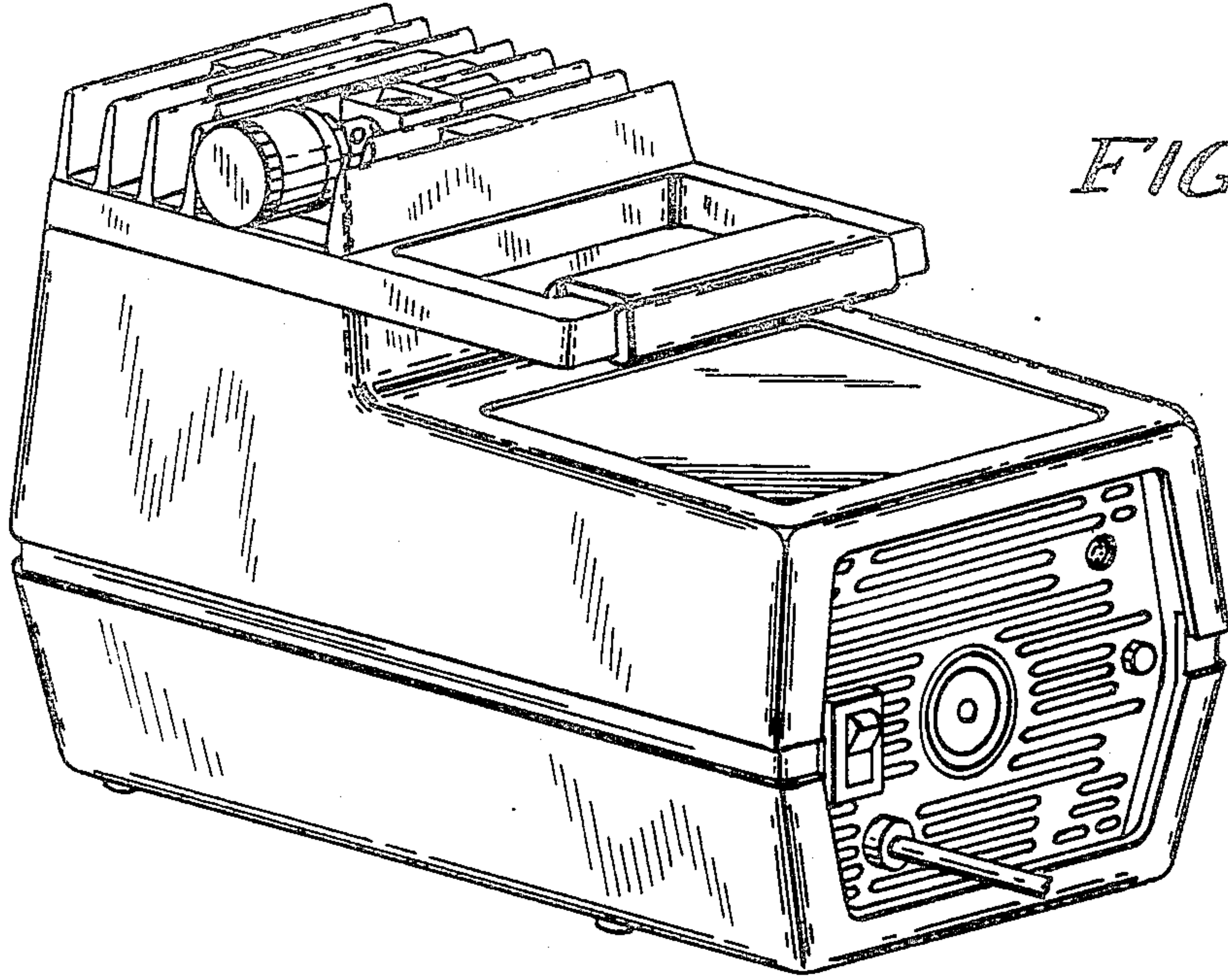


FIG. 1

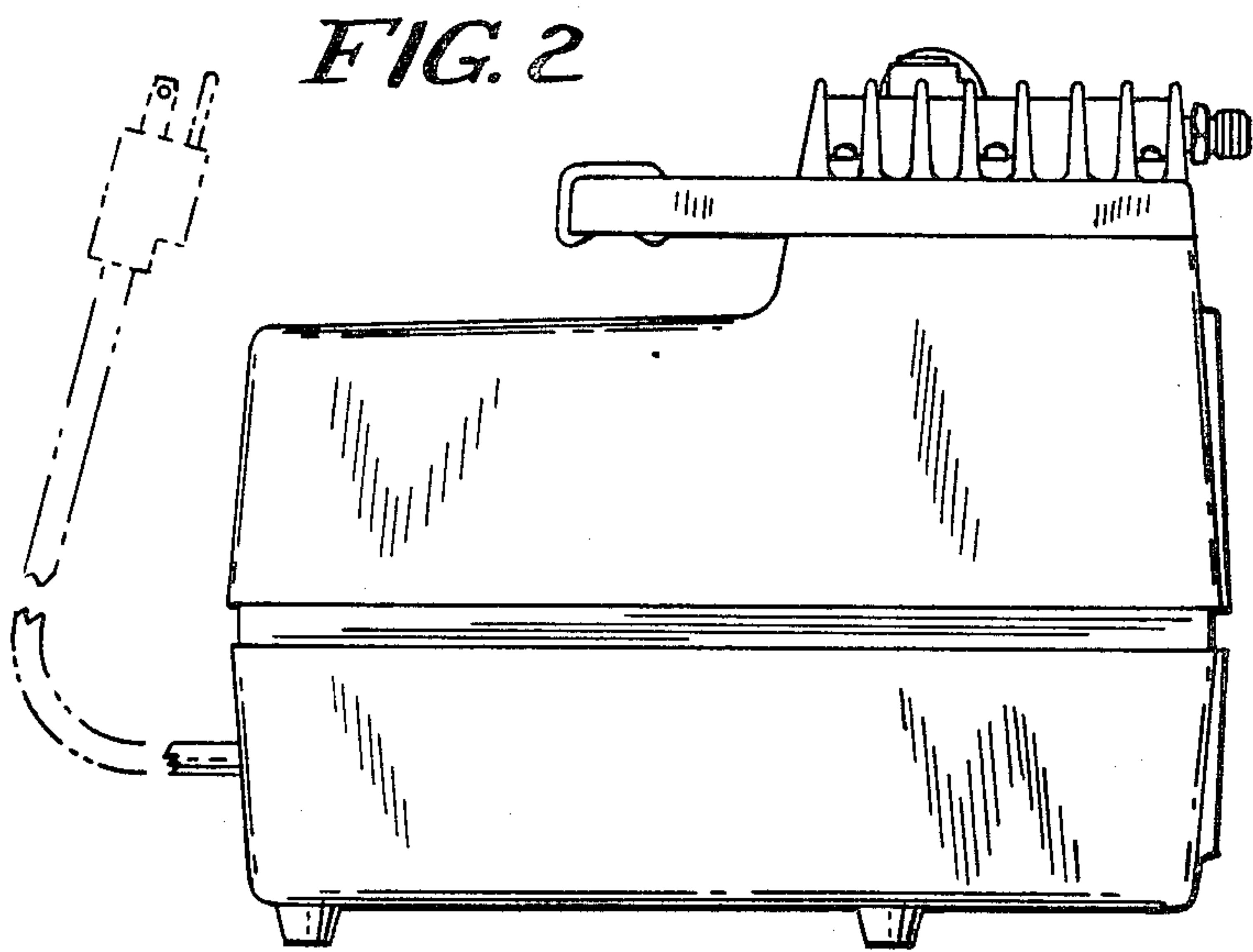


FIG. 2

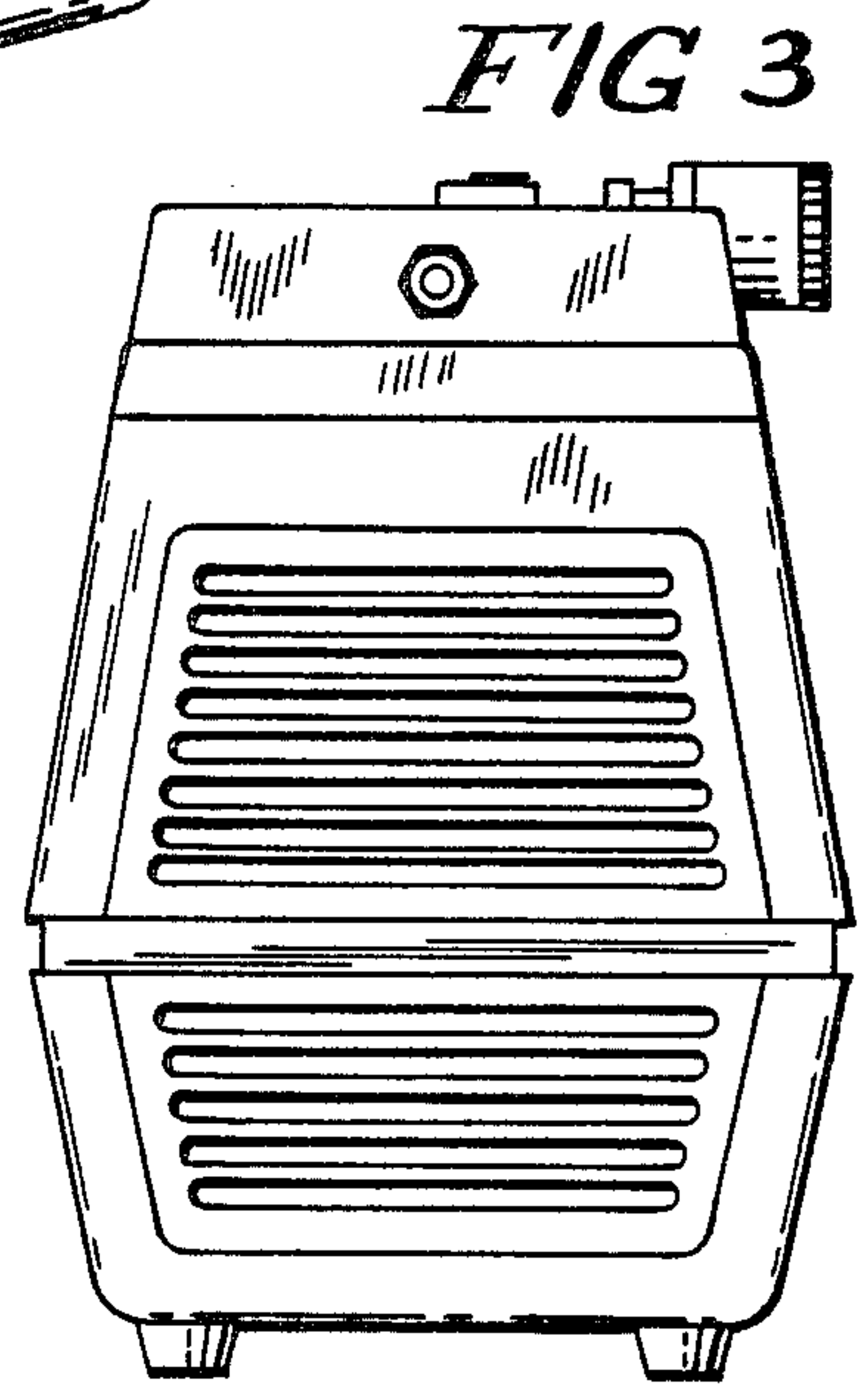


FIG. 3

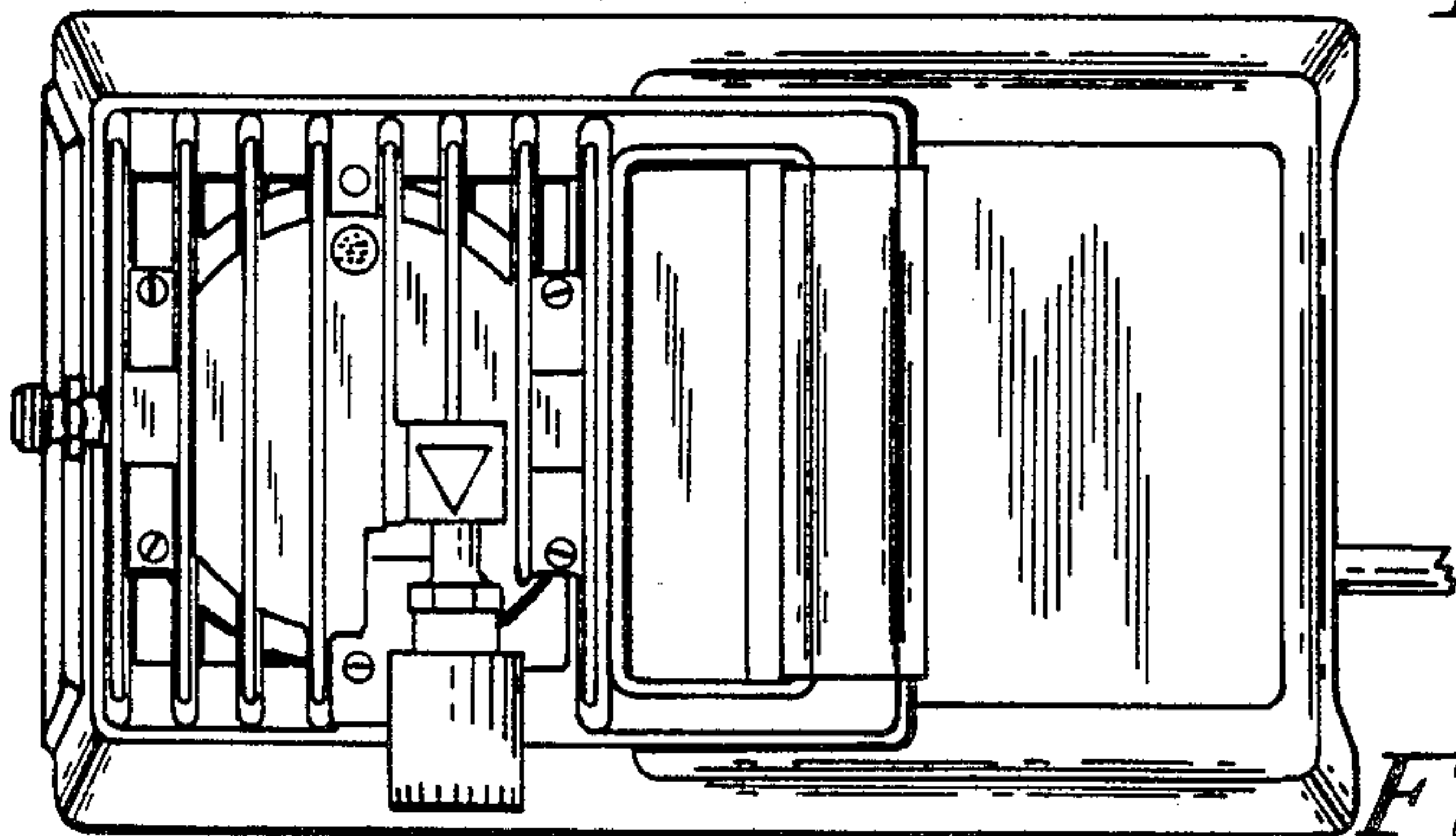


FIG. 5

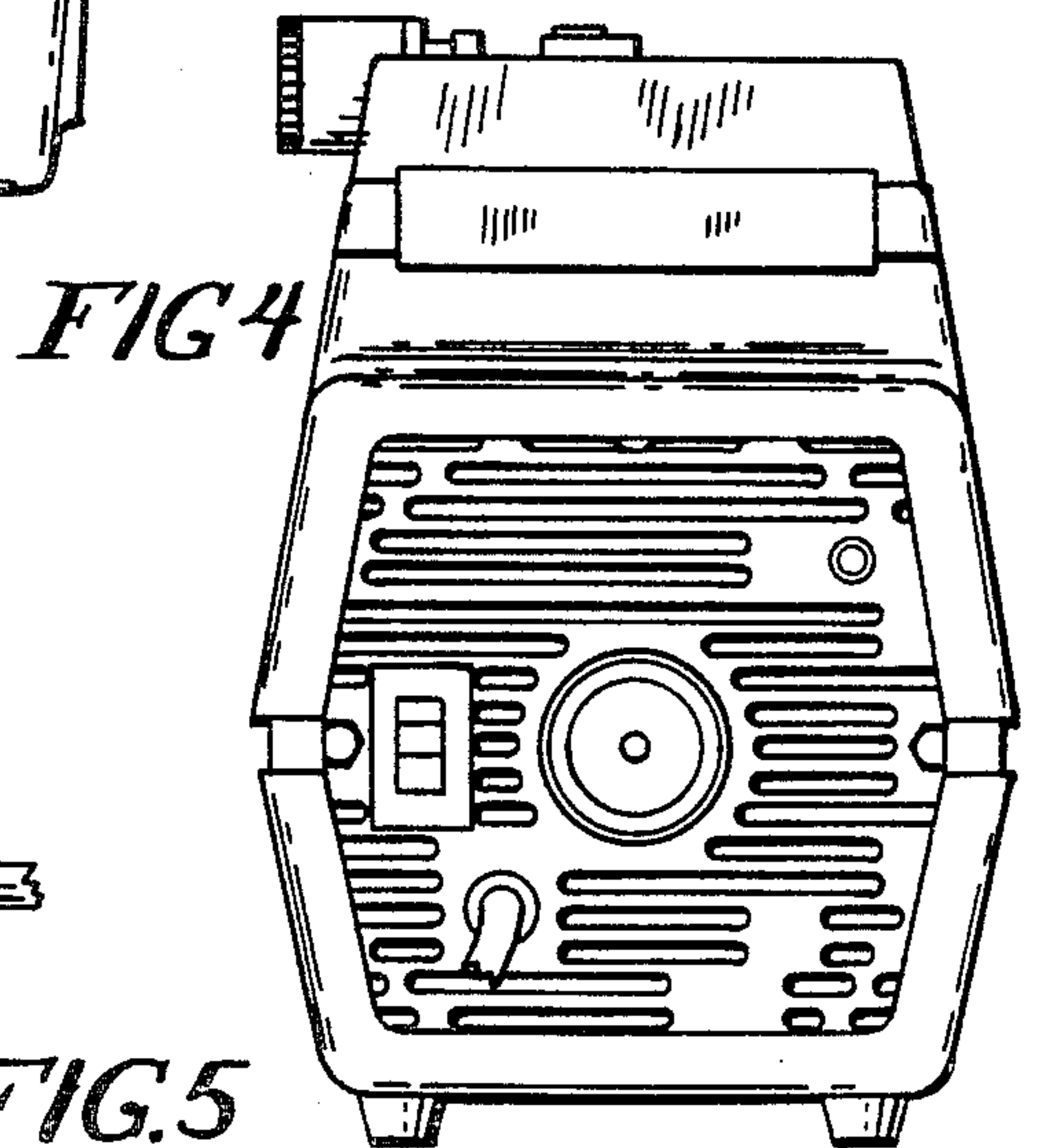


FIG. 4