

[54] PROJECTION TELEVISION RECEIVER

[75] Inventors: Kozo Kawasaki, Ikeda; Hiroyuki Katada, Hirakata, both of Japan

[73] Assignee: Sanyo Electric Co., Ltd., Osaka, Japan

[\*\*] Term: 14 Years

[21] Appl. No.: 462,926

[22] Filed: Feb. 1, 1983

[30] Foreign Application Priority Data

Aug. 9, 1982 [JP] Japan ..... 57-36216

[52] U.S. Cl. .... D14/83; D14/79

[58] Field of Search ..... D14/79, 82, 83

[56] References Cited

U.S. PATENT DOCUMENTS

D. 255,902 7/1980 Inoue et al. .... D14/79

D. 262,704 1/1982 Pierog ..... D14/79

D. 271,200 11/1983 Kawasaki et al. .... D14/79  
4,245,256 1/1981 Kokubo et al. .... D14/79 X

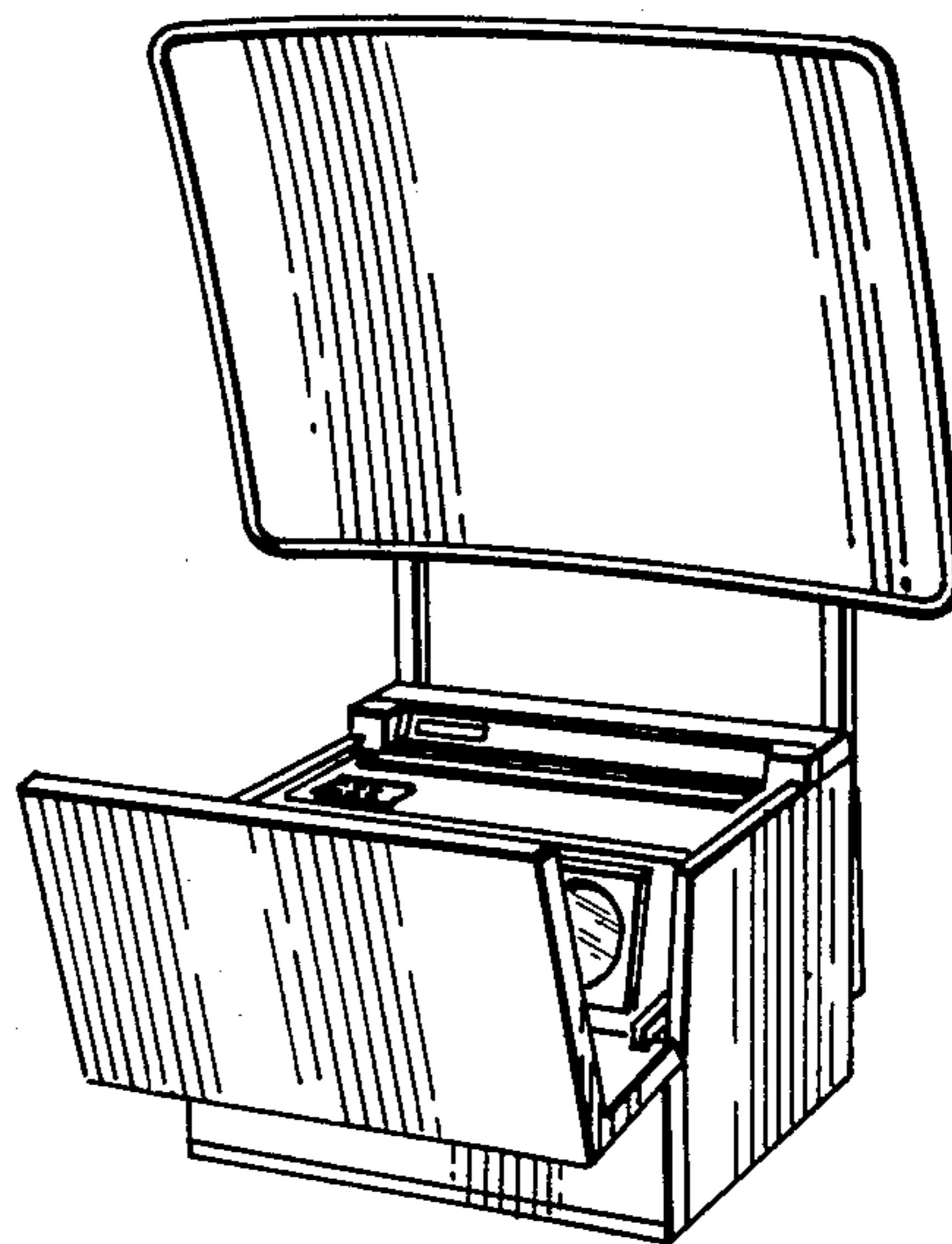
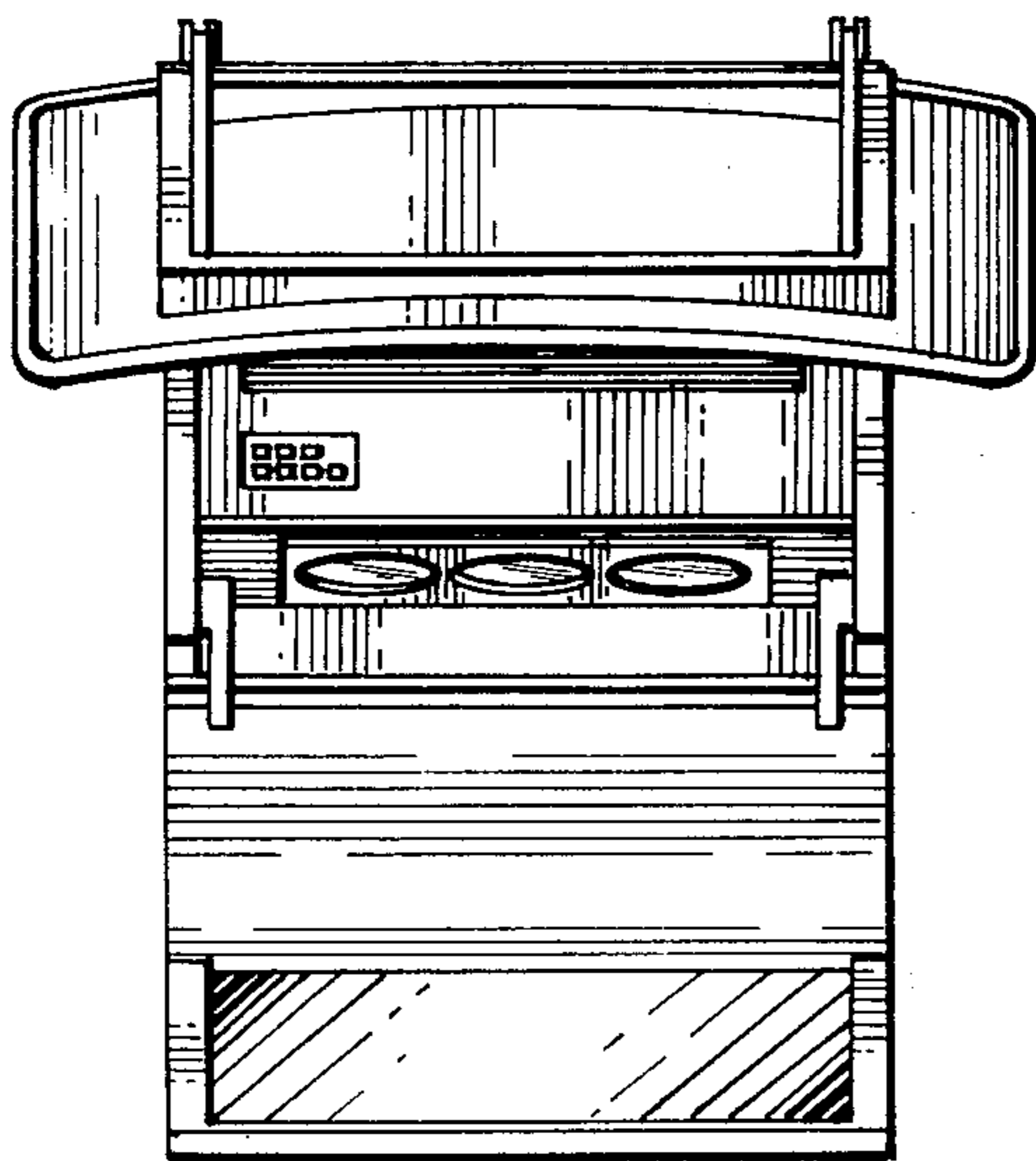
Primary Examiner—Jane E. Corrigan  
Attorney, Agent, or Firm—Armstrong, Nikaido,  
Marmelstein & Kubovcik

[57] CLAIM

The ornamental design for a projection television receiver, as shown and described.

DESCRIPTION

FIG. 1 is a front elevational view of a projection television receiver showing our new design;  
FIG. 2 is a rear elevational view;  
FIG. 3 is a left side elevational view;  
FIG. 4 is a top plan view;  
FIG. 5 is a bottom plan view;  
FIG. 6 is a view like FIG. 3 with the cover closed;  
FIG. 7 is a front, top and right side perspective view with the cover open; and  
FIG. 8 is a view like FIG. 7 with the cover closed.



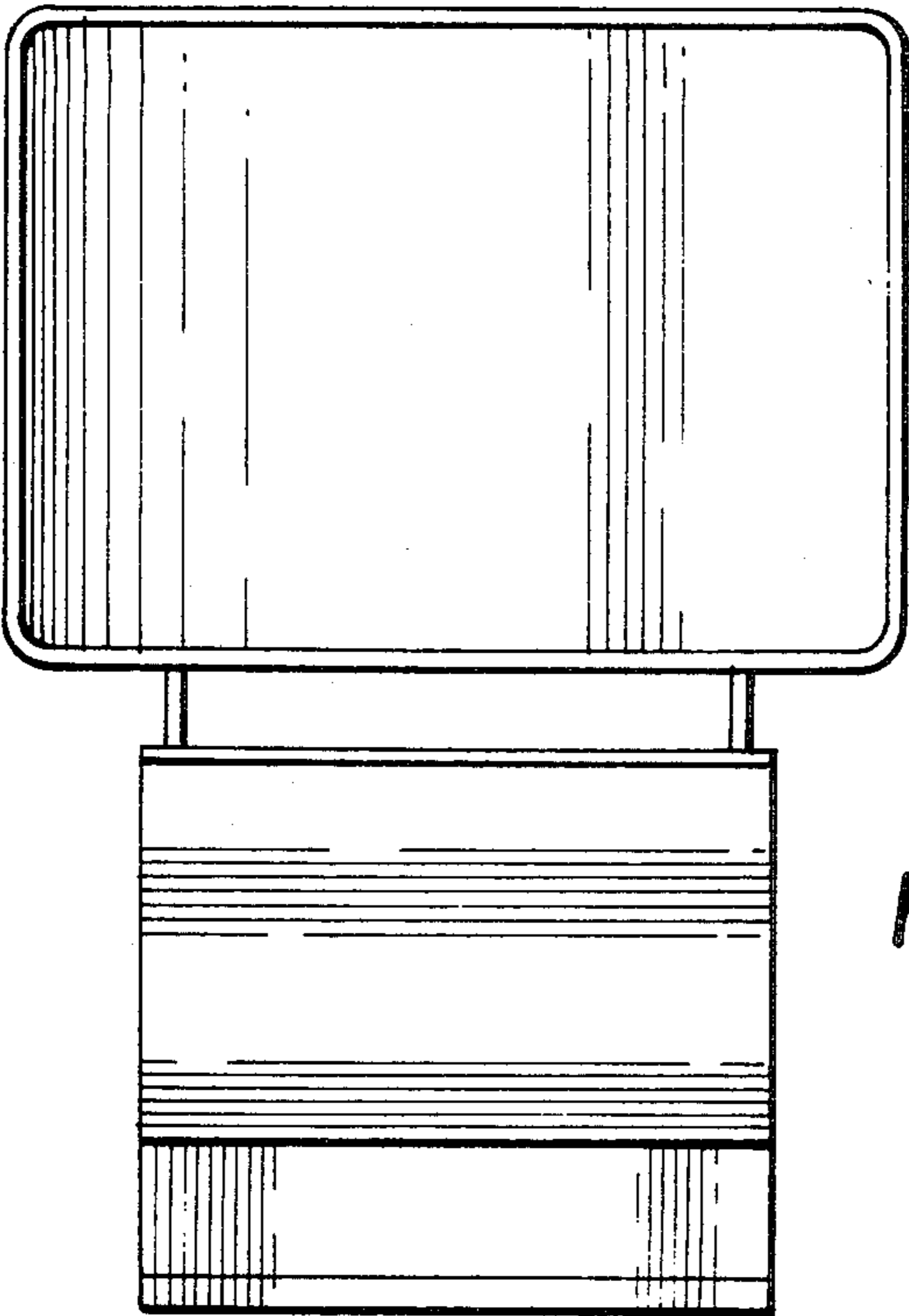


FIG. 1

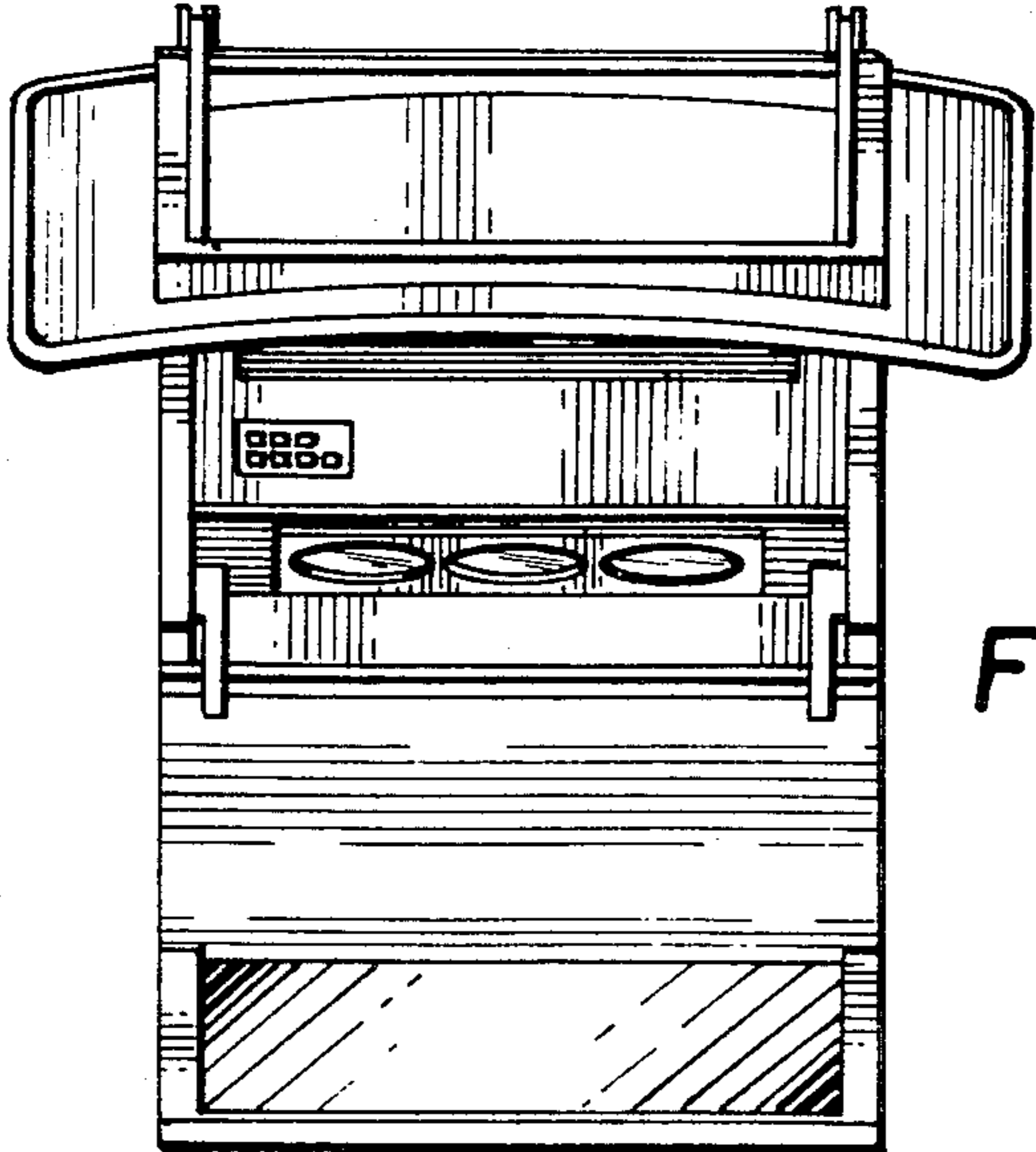


FIG. 4

FIG. 2

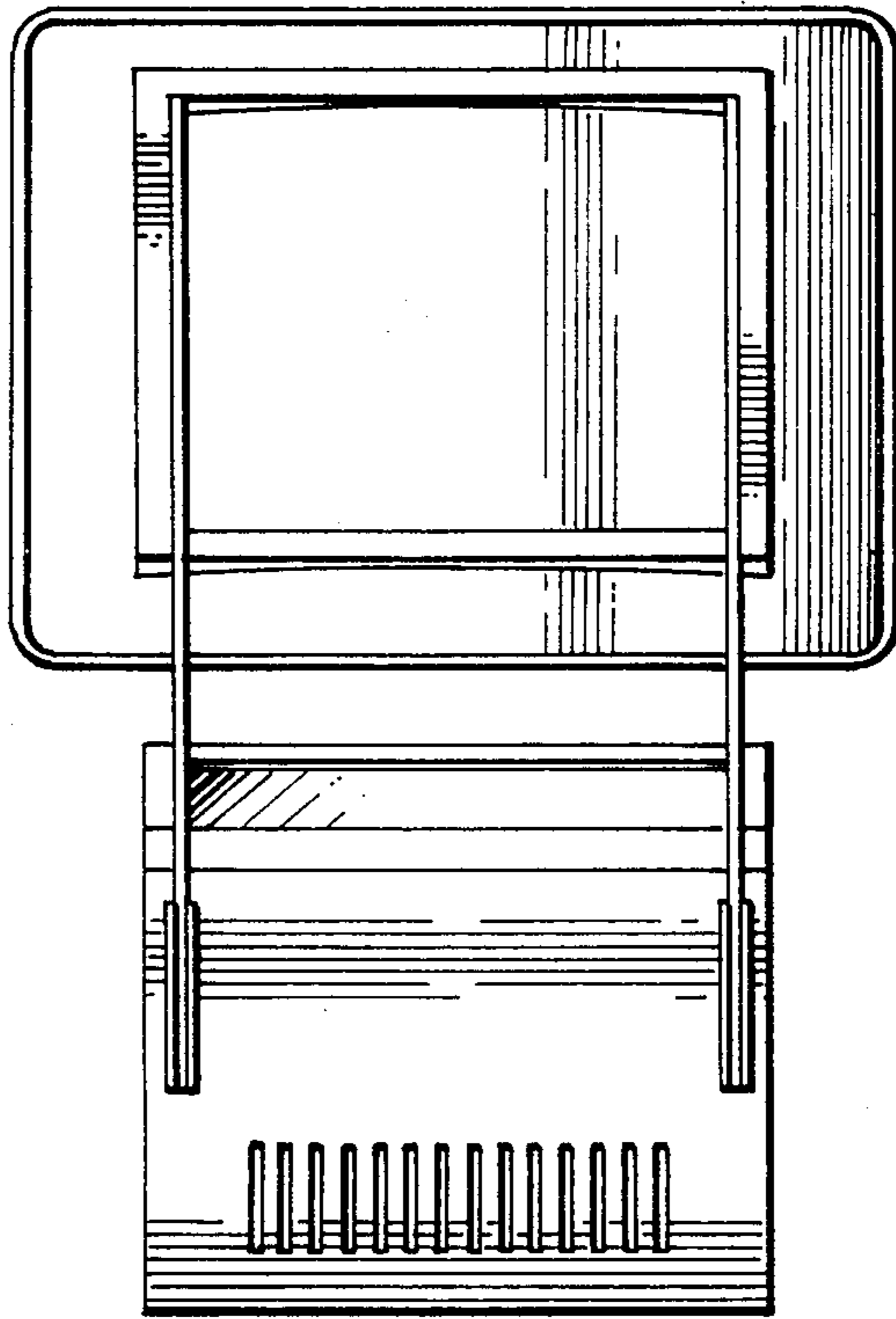
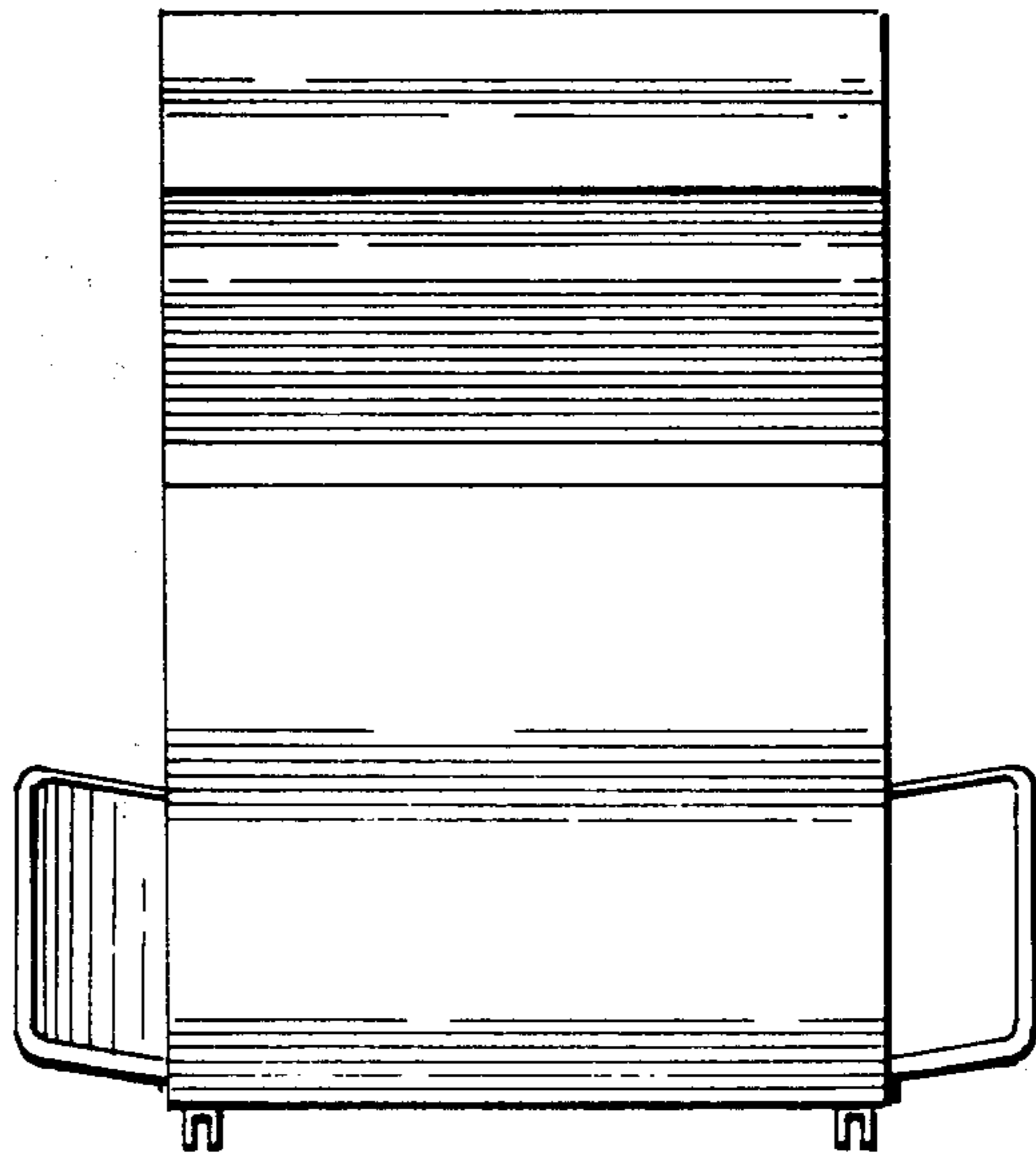


FIG. 5



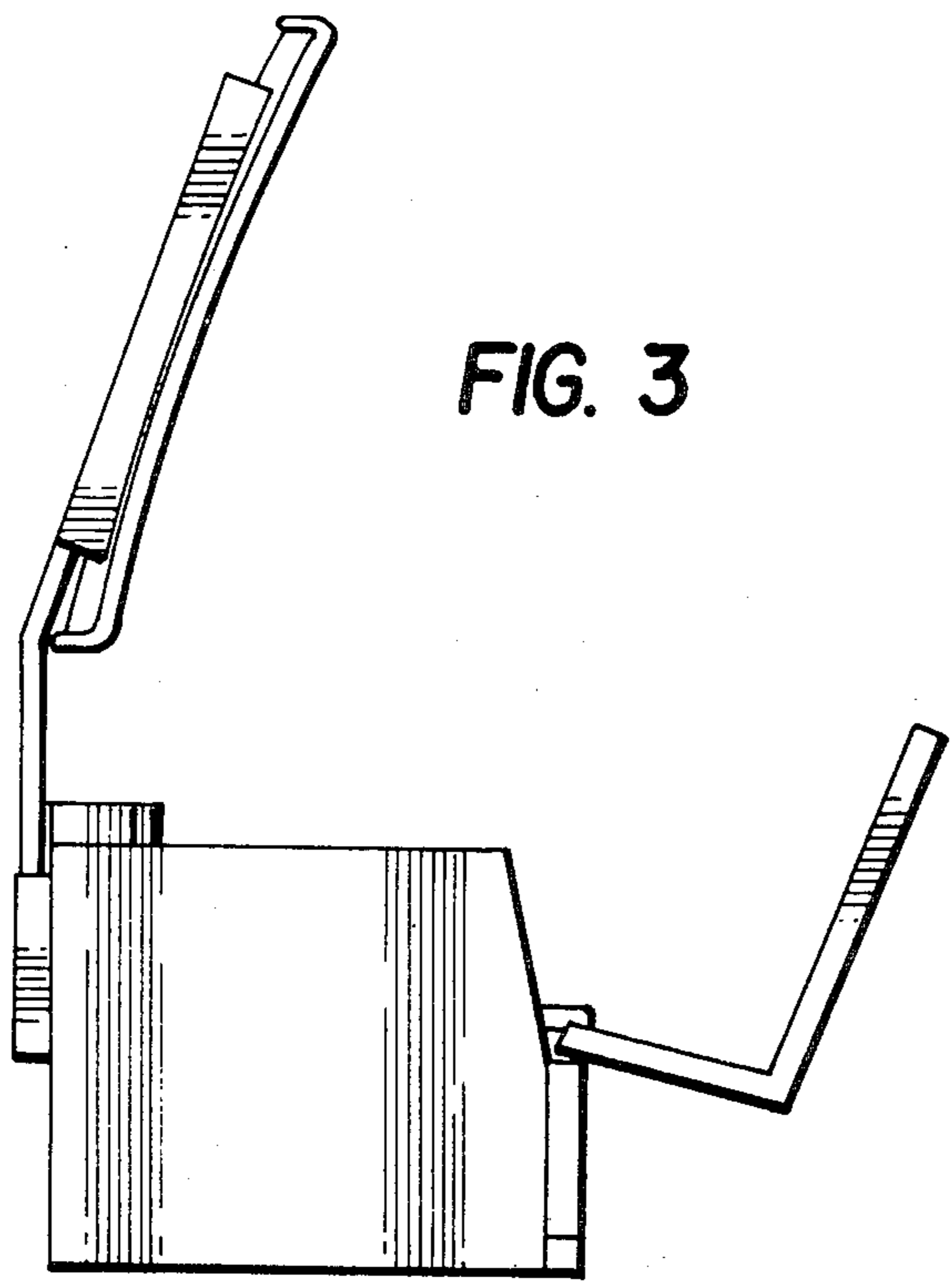


FIG. 3

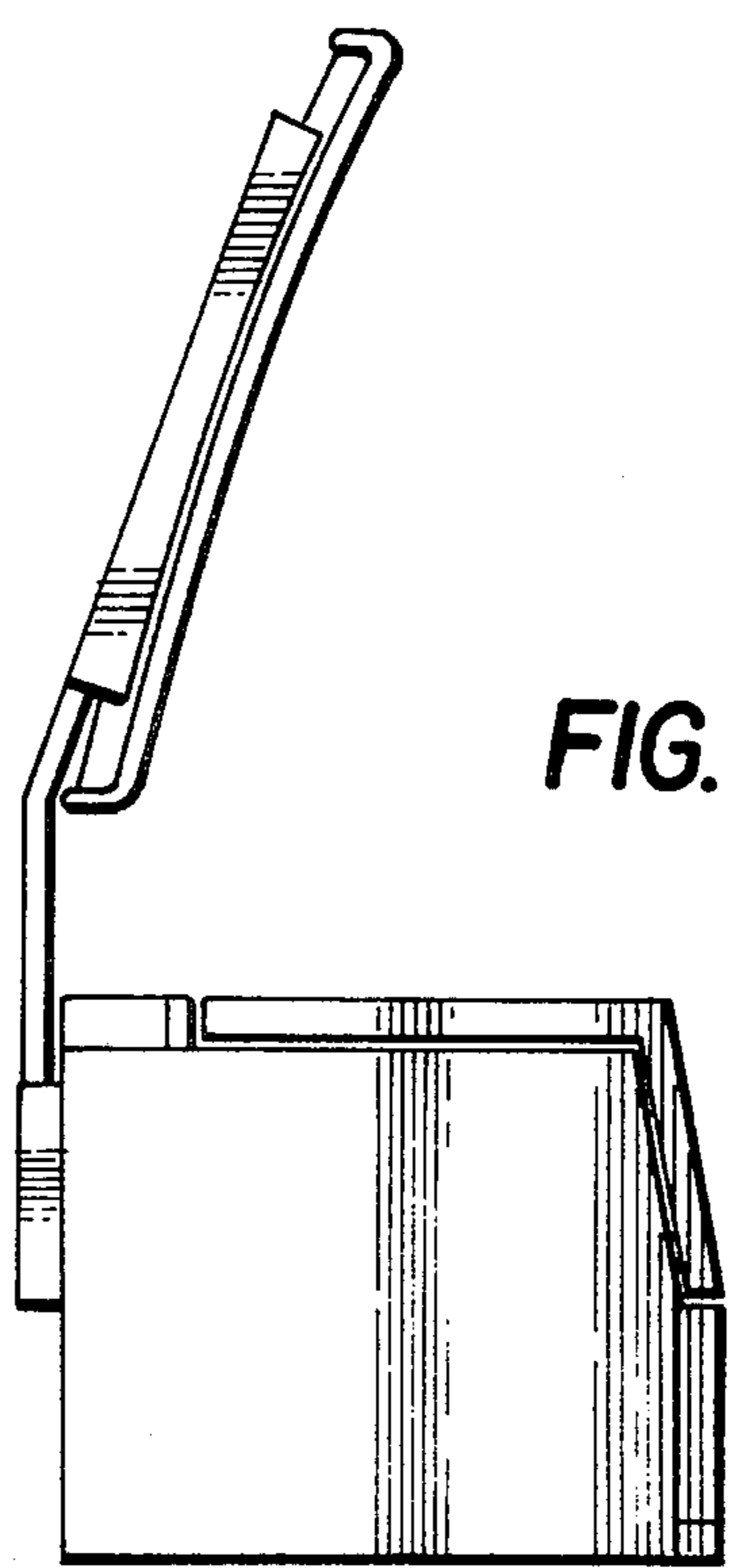
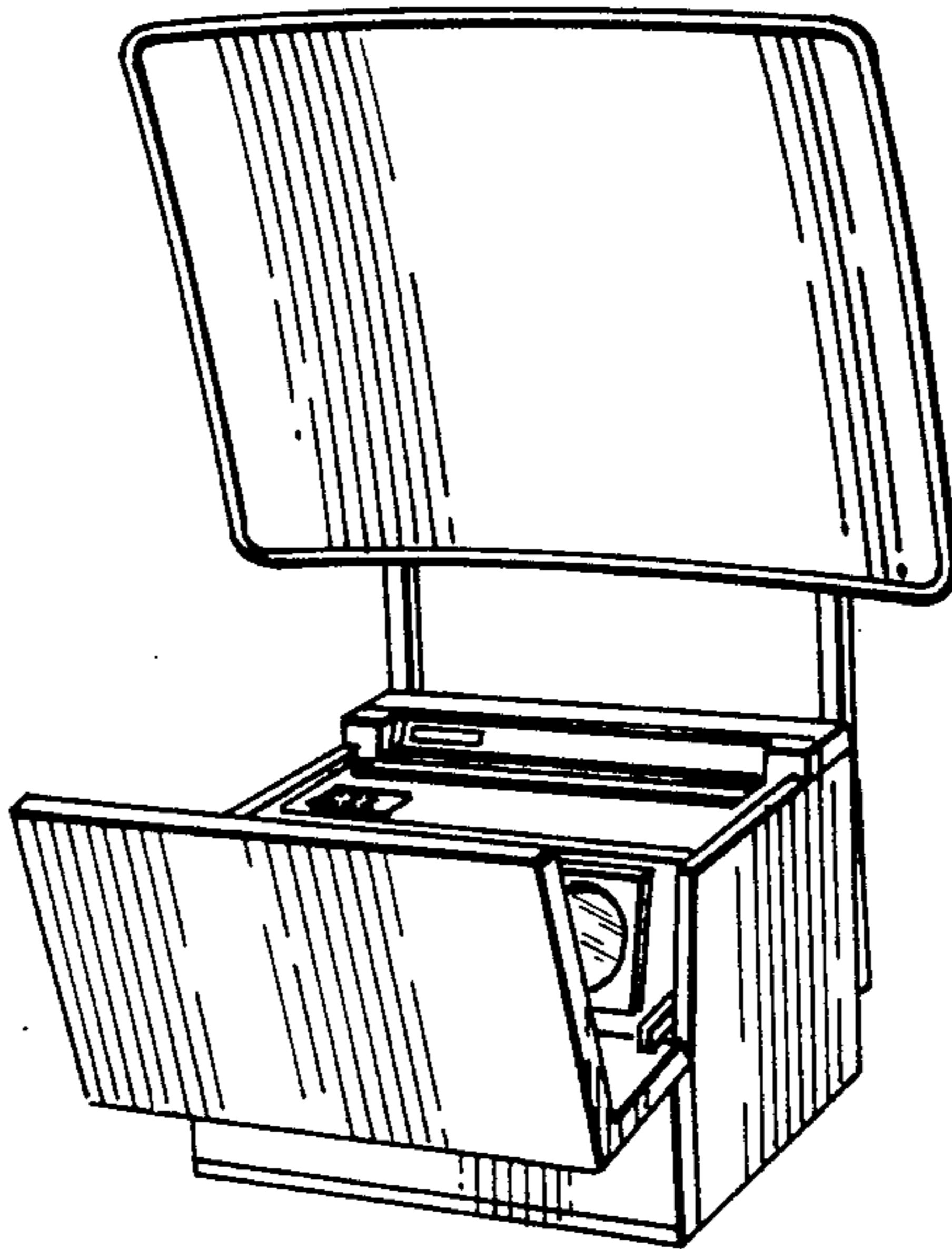


FIG. 6

**FIG. 7**



**FIG. 8**

