

[54] **PORTABLE BATTERY OPERATED
TRANSCEIVER**

[75] Inventors: **James P. Liataud**, River & Bluff
Rds., Trout Valley, Cary, Ill. 60013;
Peter F. Stultz, Elgin, Ill.; **David L.
Maloney**, Barrington, Ill.

[73] Assignee: **James P. Liataud**, Cary, Ill.

[**] Term: **14 Years**

[21] Appl. No.: **529,957**

[22] Filed: **Sep. 6, 1983**

[52] U.S. Cl. **D14/68; D14/70;
D14/95**

[58] Field of Search **D14/52, 68, 70, 76,
D14/95**

[56] **References Cited**

U.S. PATENT DOCUMENTS

D. 226,093 1/1973 Whiting D14/95 X

D. 271,764 12/1983 Toth et al. D14/68
D. 273,864 5/1984 Eckmann D14/95 X

Primary Examiner—Jane E. Corrigan
Attorney, Agent, or Firm—Lockwood, Alex, FitzGibbon
& Cummings

[57] **CLAIM**

The ornamental design for a portable battery operated
transceiver, substantially as shown and described.

DESCRIPTION

FIG. 1 is a front, top and right side perspective view of
a portable battery operated transceiver showing our
new design;

FIG. 2 is a rear, top and left side perspective view;

FIG. 3 is a front elevational view;

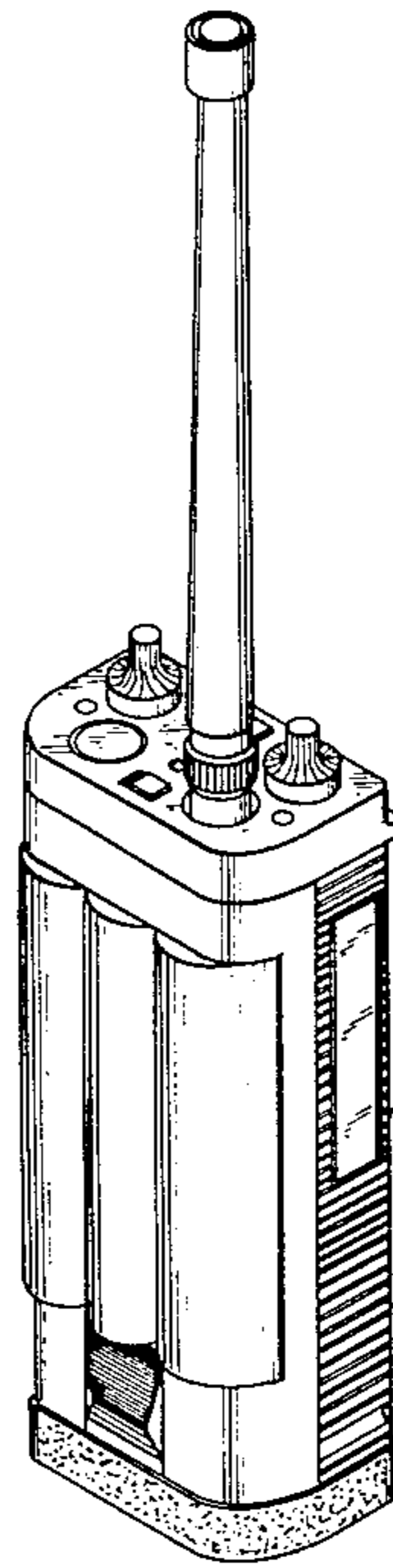
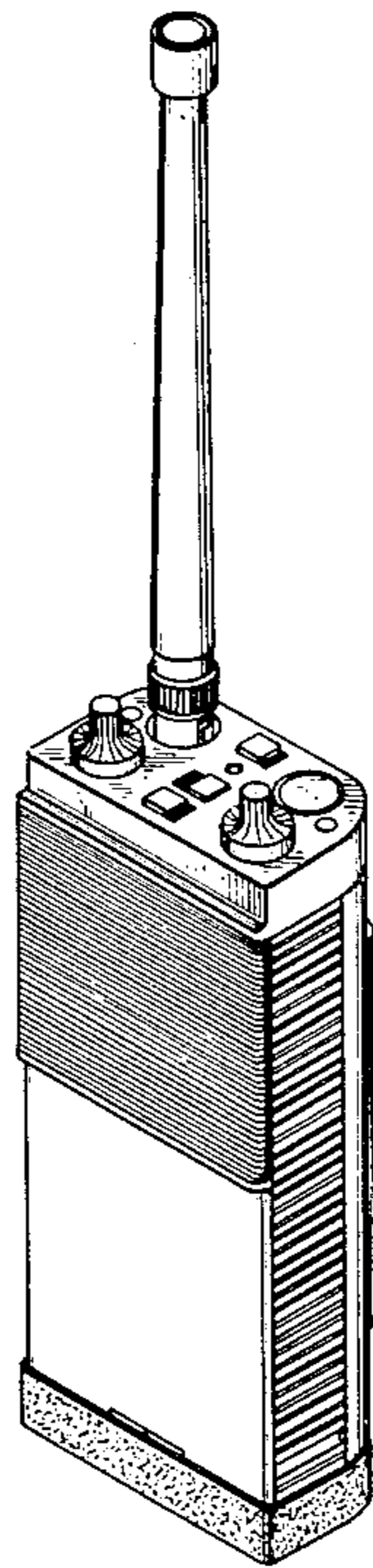
FIG. 4 is a right side elevational view;

FIG. 5 is a left side elevational view;

FIG. 6 is a rear elevational view;

FIG. 7 is a top plan view;

FIG. 8 is a bottom plan view.



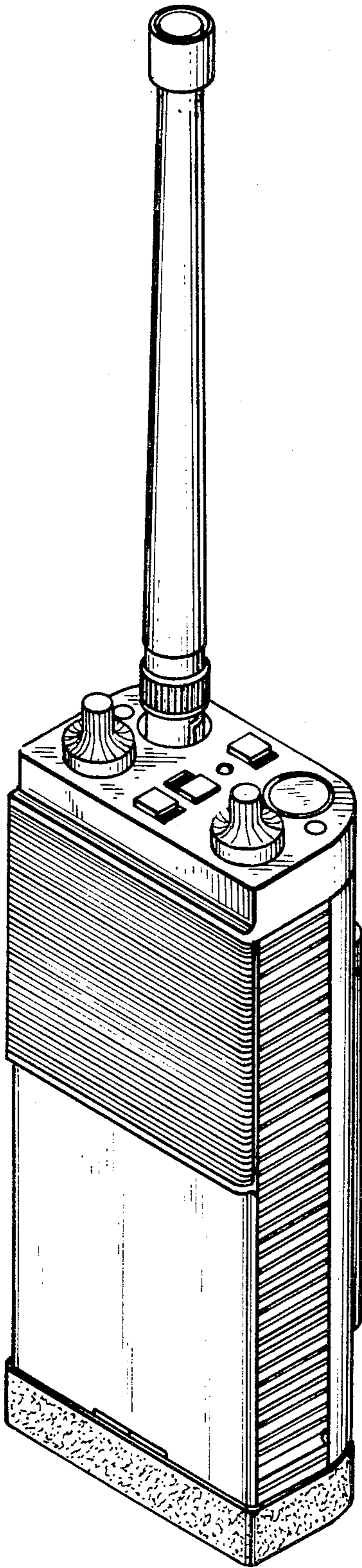


FIG. 1

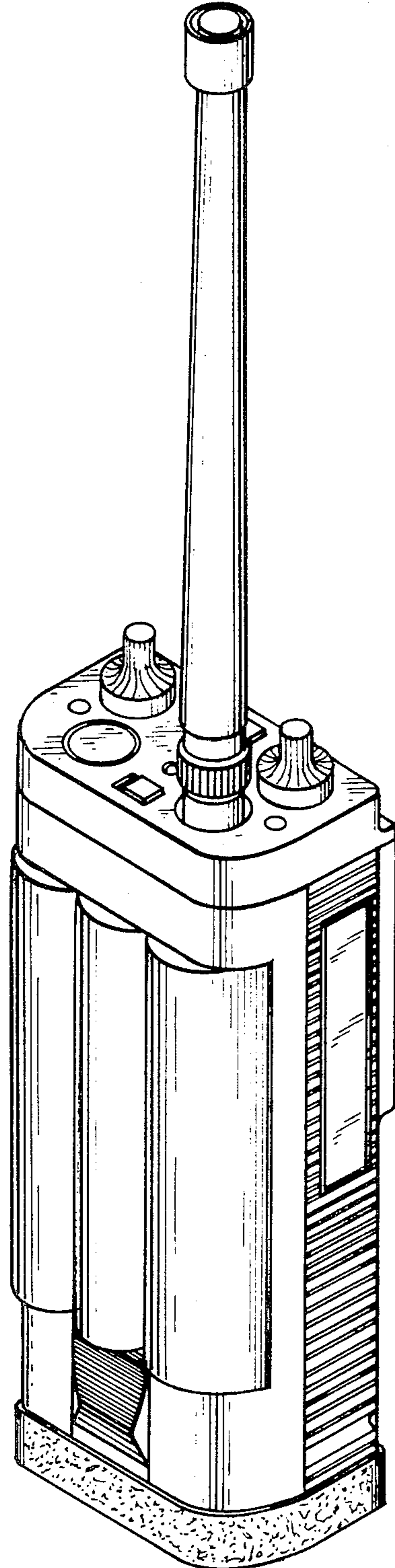


FIG. 2

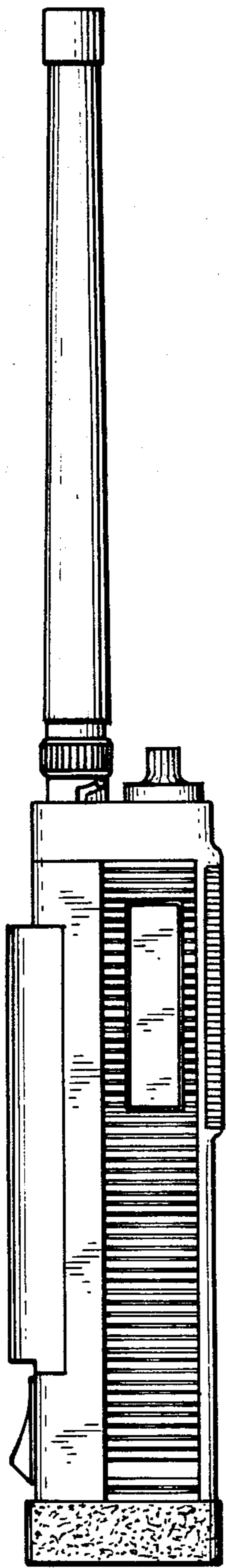


FIG. 4

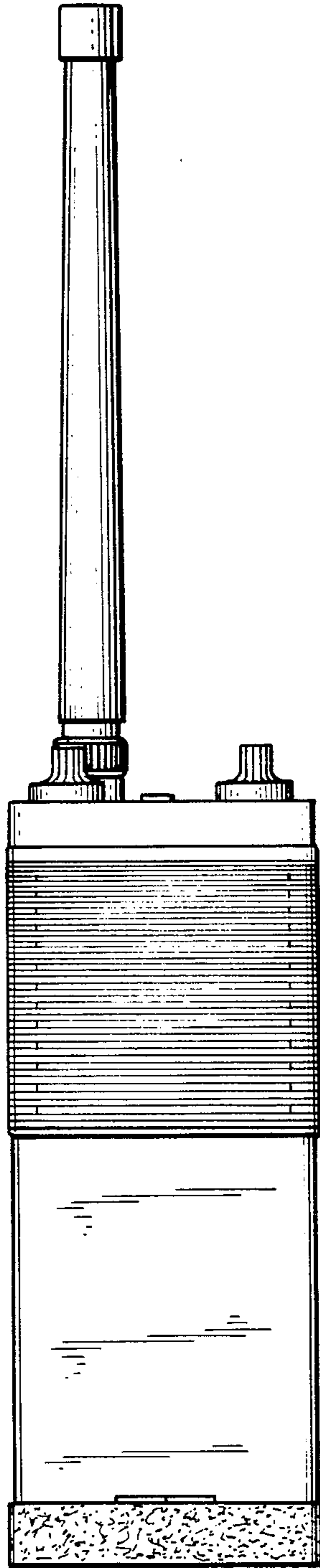


FIG. 3

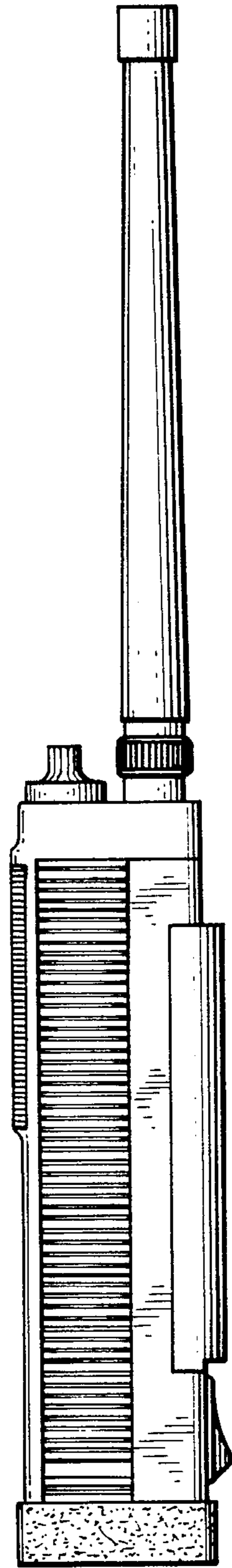


FIG. 5

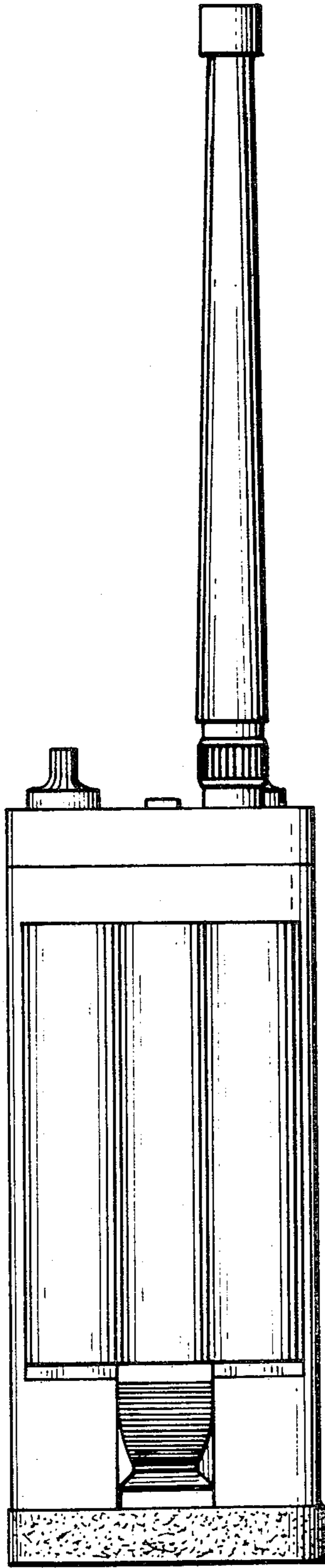


FIG. 6

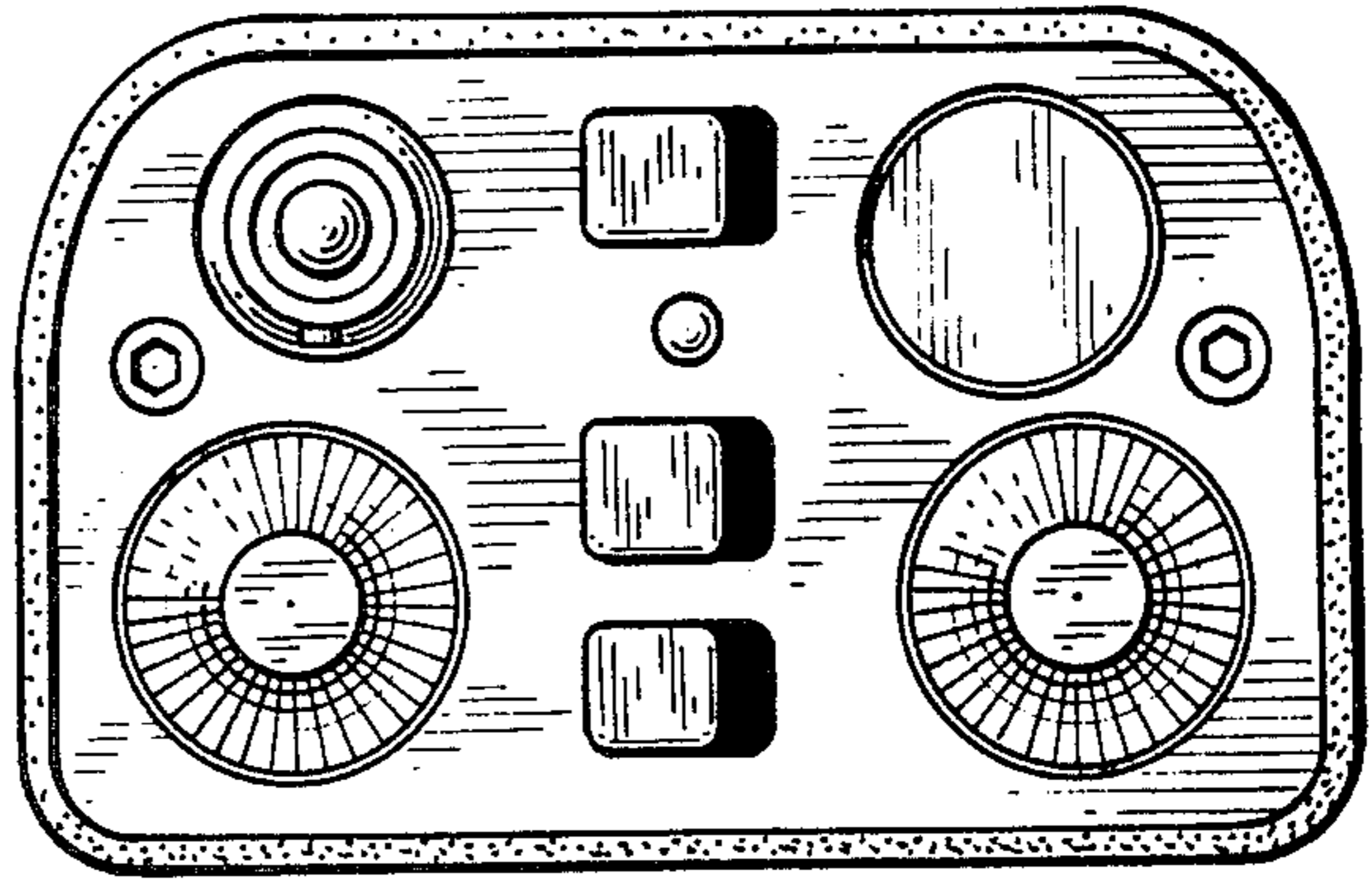


FIG. 7

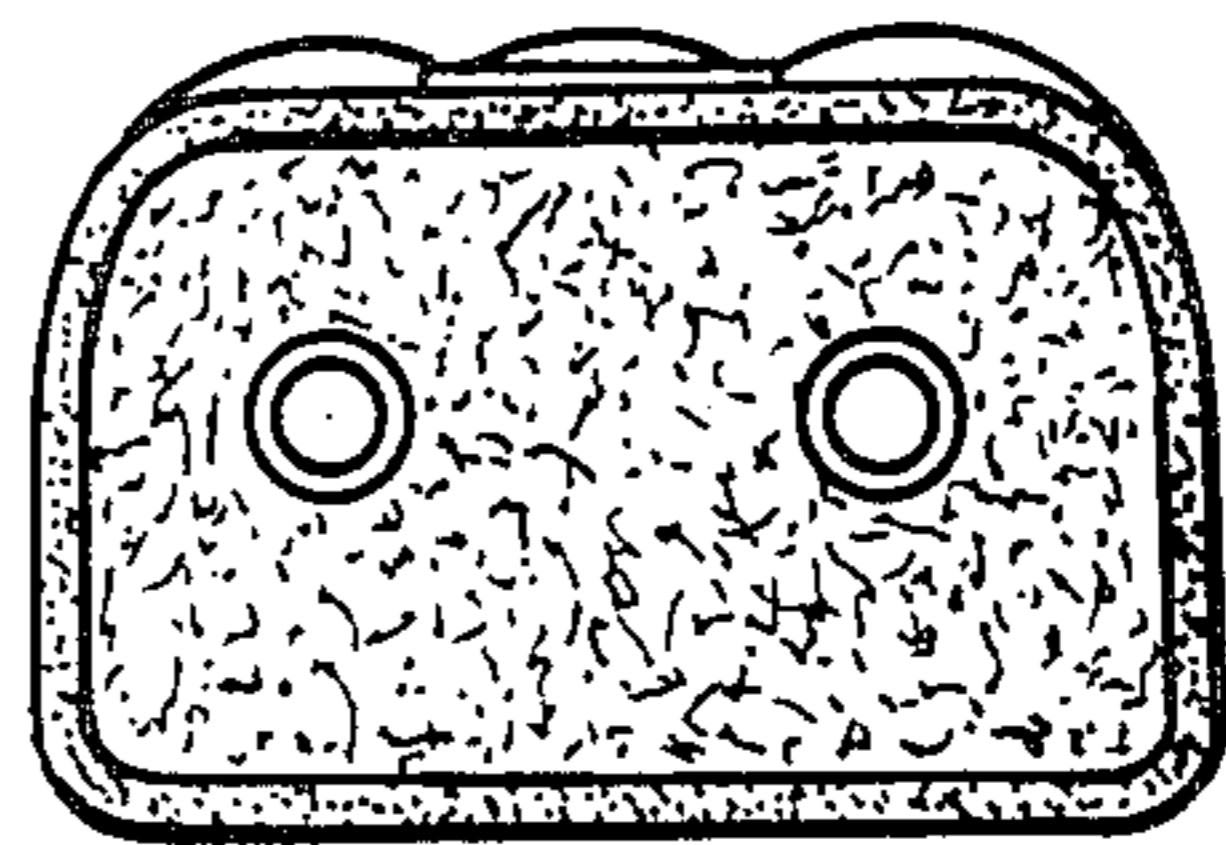


FIG. 8