

[54] MOBILE RADIO HOUSING

[75] Inventors: James P. Liataud, River & Buff Rds., Trout Valley, Cary, Ill. 60013; Peter F. Stultz, Elgin, Ill.; David L. Maloney, Barrington, Ill.

[73] Assignee: James P. Liataud, Cary, Ill.

[**] Term: 14 Years

[21] Appl. No.: 529,886

[22] Filed: Sep. 6, 1983

[52] U.S. Cl. D14/68; D14/7

[58] Field of Search D14/5-7, D14/1, 52, 68, 76, 95

[56] References Cited

U.S. PATENT DOCUMENTS

- D. 255,901 7/1980 Tokiyama D14/7 X
- D. 259,787 7/1981 Nagele D14/68
- D. 261,886 11/1981 Fukushima et al. D14/68 X
- D. 277,667 2/1985 Zurawski D14/68

OTHER PUBLICATIONS

Radio Shack '82 Catalog #341, ©'81, p. 65, Item #12-1350, FM Converter.

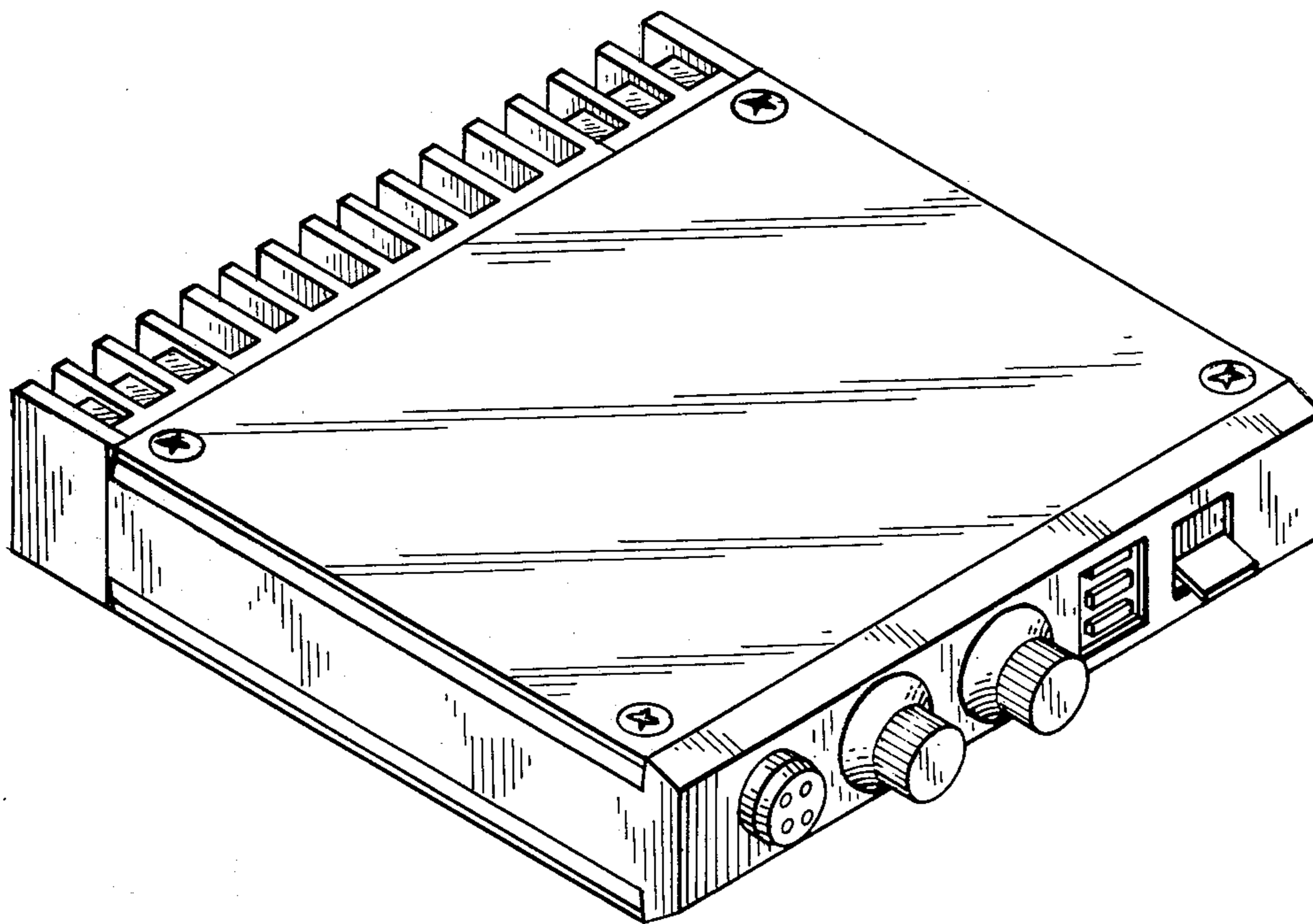
Primary Examiner—Jane E. Corrigan
Attorney, Agent, or Firm—Lockwood, Alex, FitzGibbon & Cummings

[57] CLAIM

The ornamental design for mobile radio housing, substantially as shown and described.

DESCRIPTION

FIG. 1 is a front, top and left side perspective view of a mobile radio housing showing our new design;
 FIG. 2 is a rear, bottom and right side perspective view;
 FIG. 3 is a front elevational view;
 FIG. 4 is a top plan view;
 FIG. 5 is a rear elevational view;
 FIG. 6 is a right side elevational view;
 FIG. 7 is a bottom plan view;
 FIG. 8 is a left side elevational view.



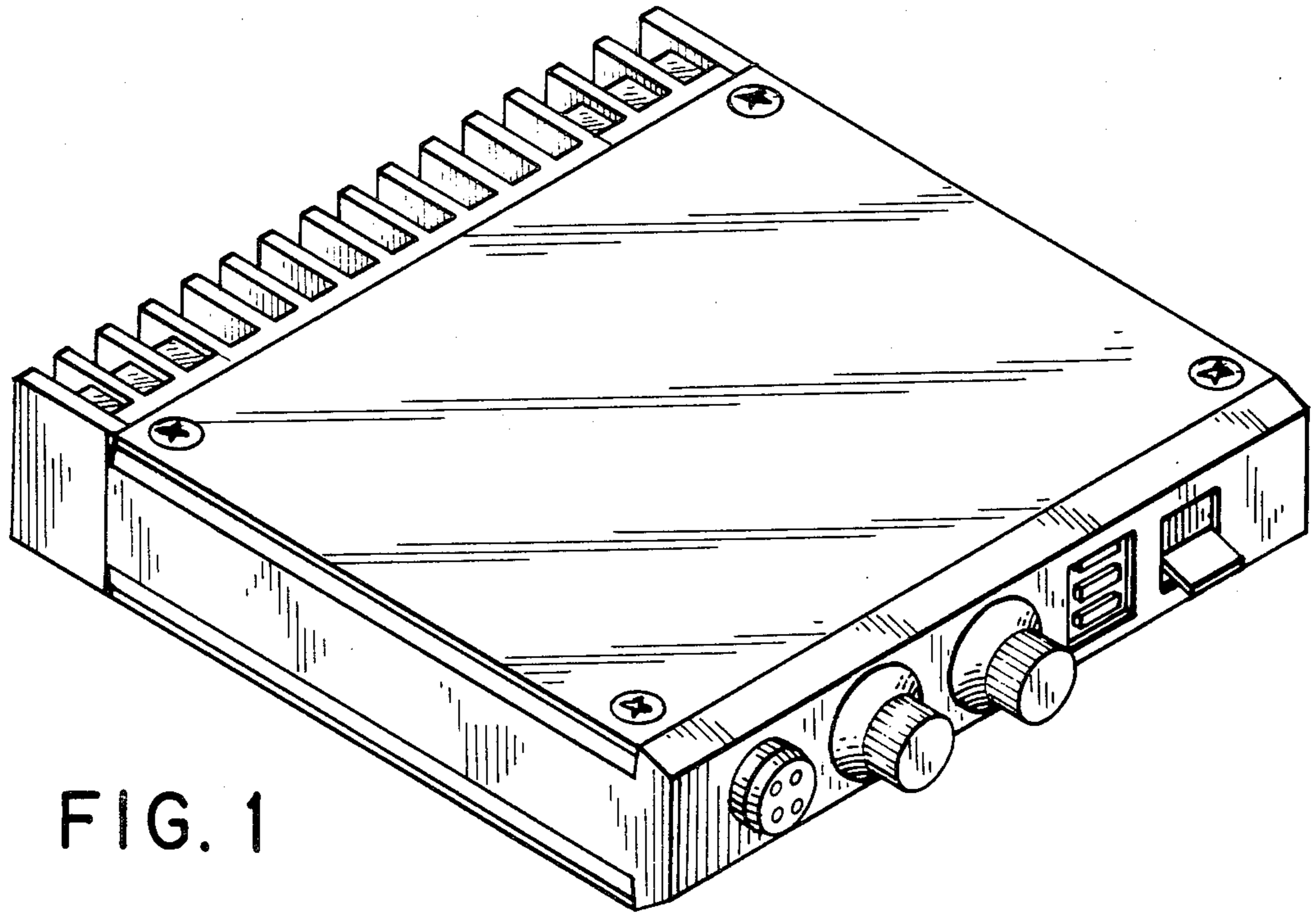


FIG. 1

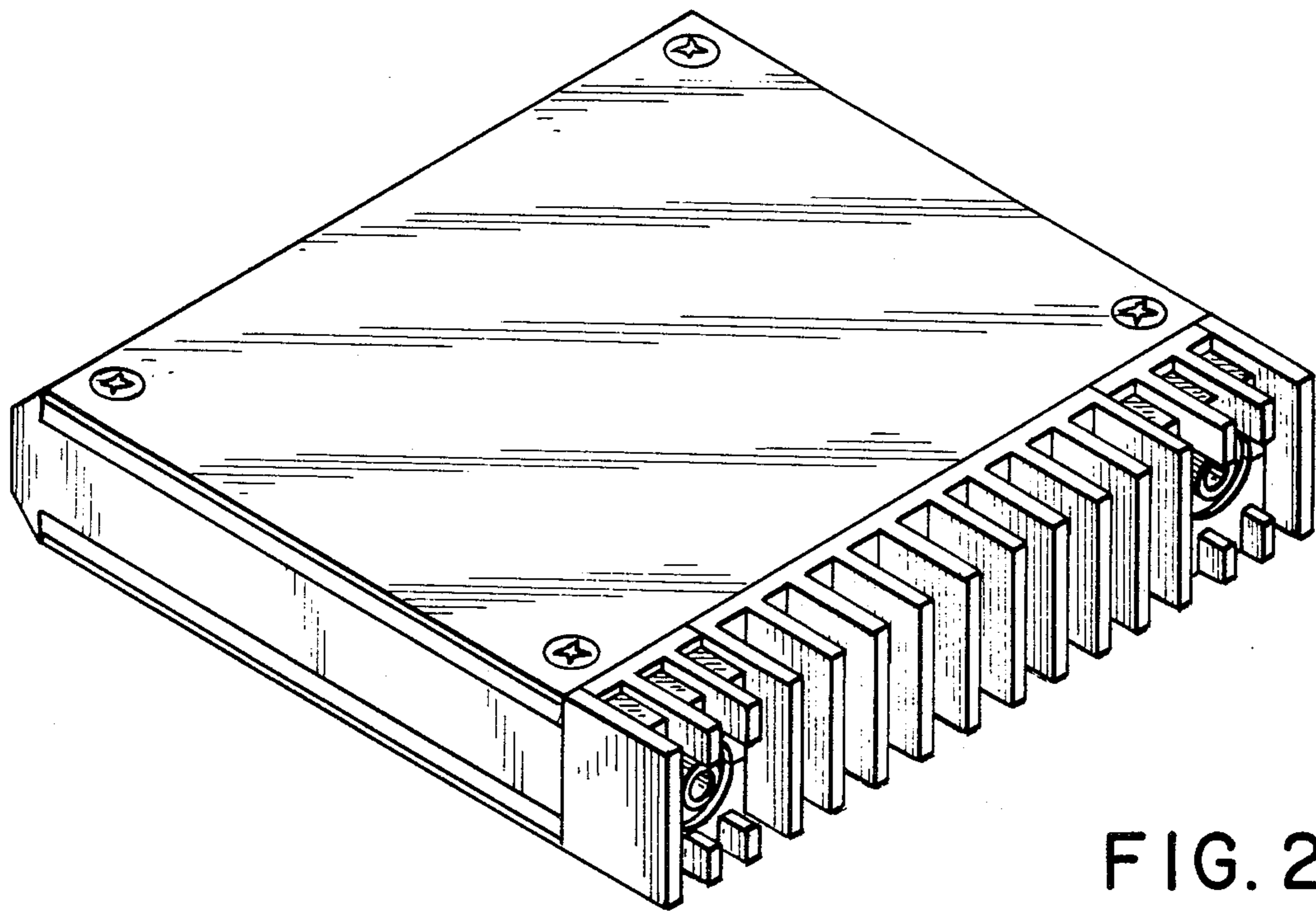


FIG. 2

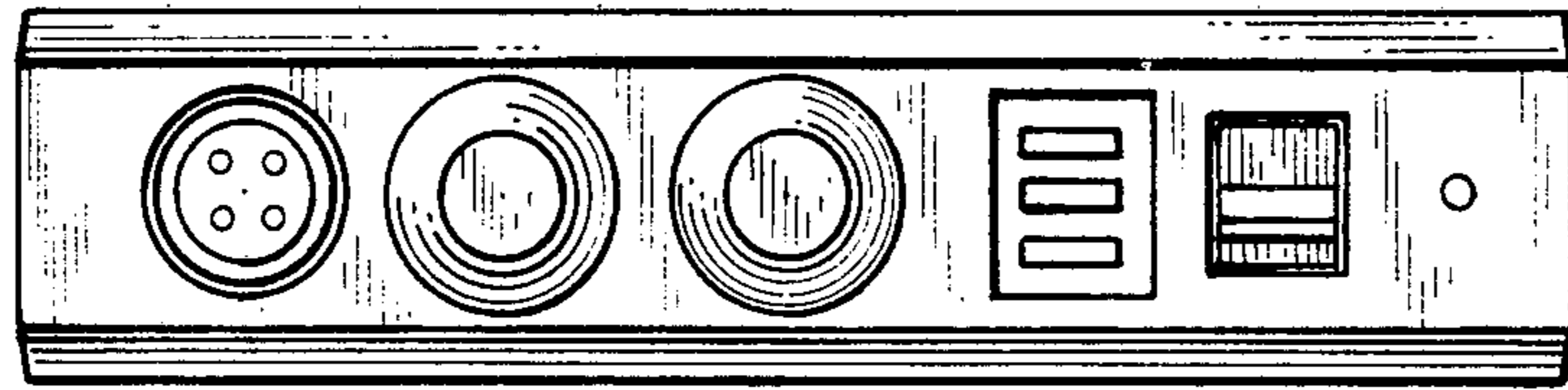


FIG. 3

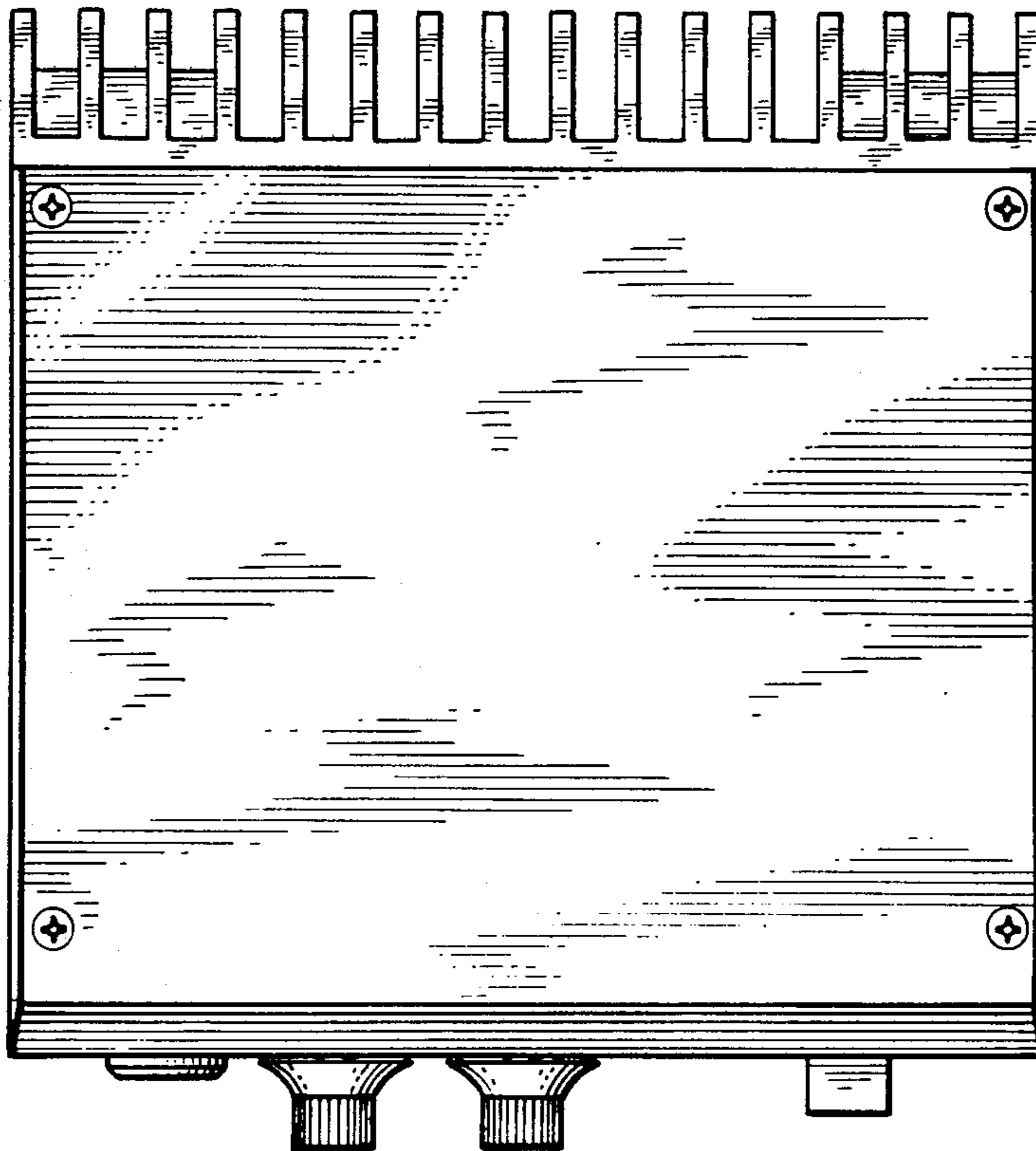


FIG. 4



FIG. 5

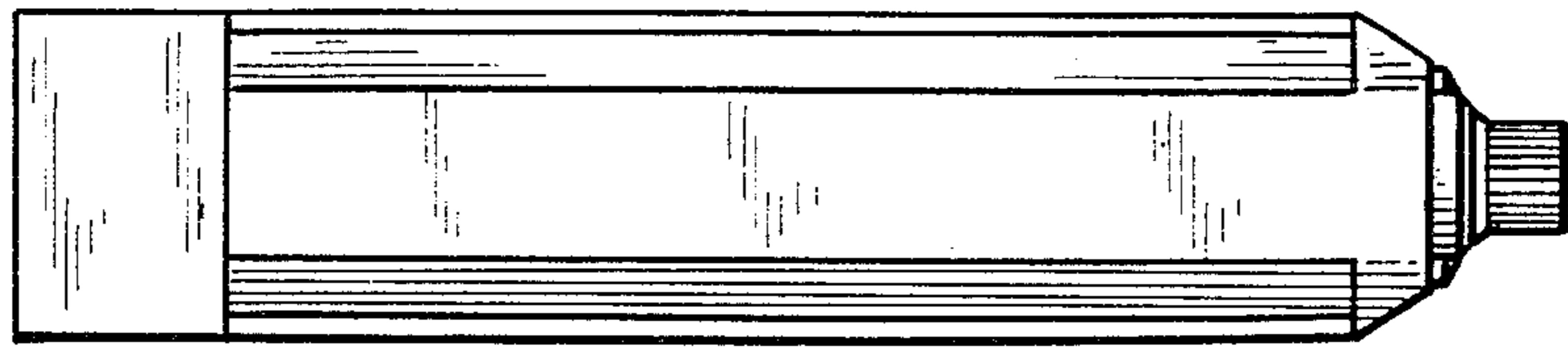


FIG. 6

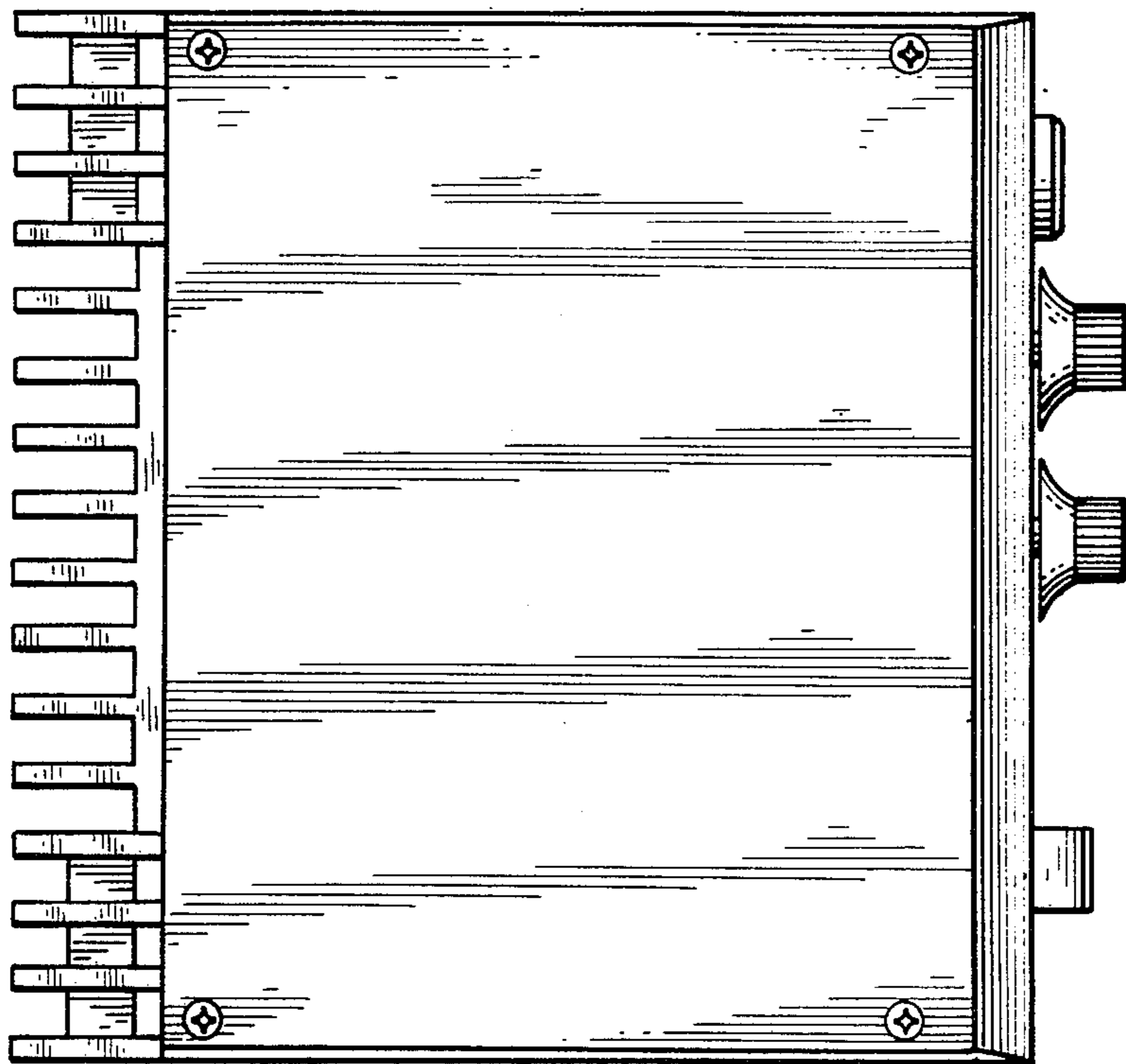


FIG. 7

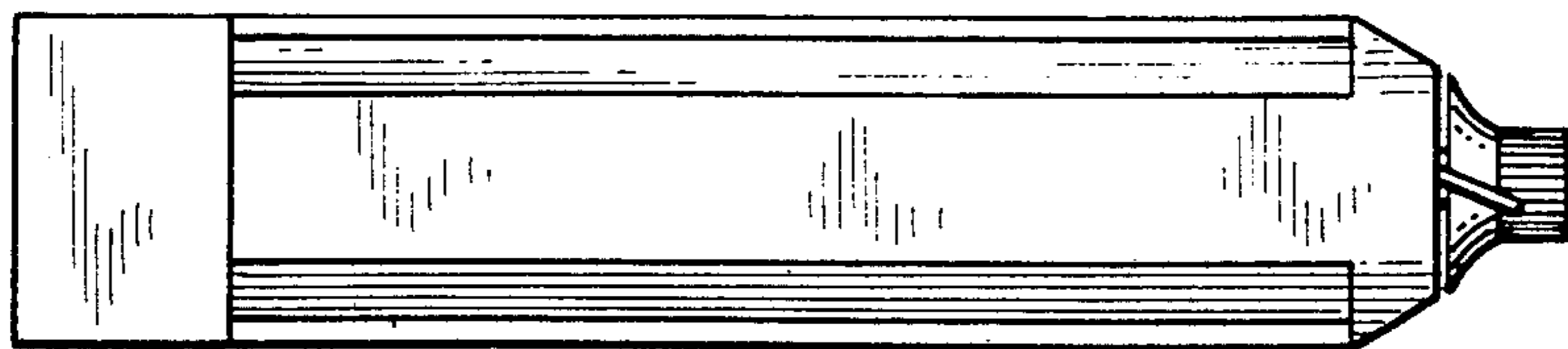


FIG. 8