

[54] LOUDSPEAKER

[75] Inventor: Hiroshi Matushima, Tokyo, Japan

[73] Assignee: Pioneer Electronic Corporation, Tokyo, Japan

[**] Term: 14 Years

[21] Appl. No.: 516,499

[22] Filed: Jul. 25, 1983

[30] Foreign Application Priority Data

Jan. 28, 1983 [JP] Japan 58-3153

[52] U.S. Cl. D14/34; D14/33; D14/39

[58] Field of Search D14/30, 32-34, D14/37, 39; 181/148; 179/146 E

[56] References Cited

U.S. PATENT DOCUMENTS

- D. 149,801 6/1948 Doblin D14/33
- D. 180,912 9/1957 Mossington D14/33

- D. 229,318 11/1973 Iida D14/33
- D. 269,870 7/1983 Iijima D14/34 X
- D. 276,227 11/1984 Nakamura D14/33

Primary Examiner—Jane E. Corrigan
Attorney, Agent, or Firm—Sughrue, Mion, Zinn, Macpeak, and Seas

[57] CLAIM

The ornamental design for a loudspeaker, as shown.

DESCRIPTION

FIG. 1 is a front elevational view of a loudspeaker showing my new design;
 FIG. 2 is a rear elevational view thereof;
 FIG. 3 is a right side elevational view thereof;
 FIG. 4 is a left side elevational view thereof;
 FIG. 5 is a top plan view thereof;
 FIG. 6 is a bottom plan view thereof;
 FIG. 7 is a front and right side perspective view thereof;
 and
 FIG. 8 is a rear, top and left side perspective view thereof.

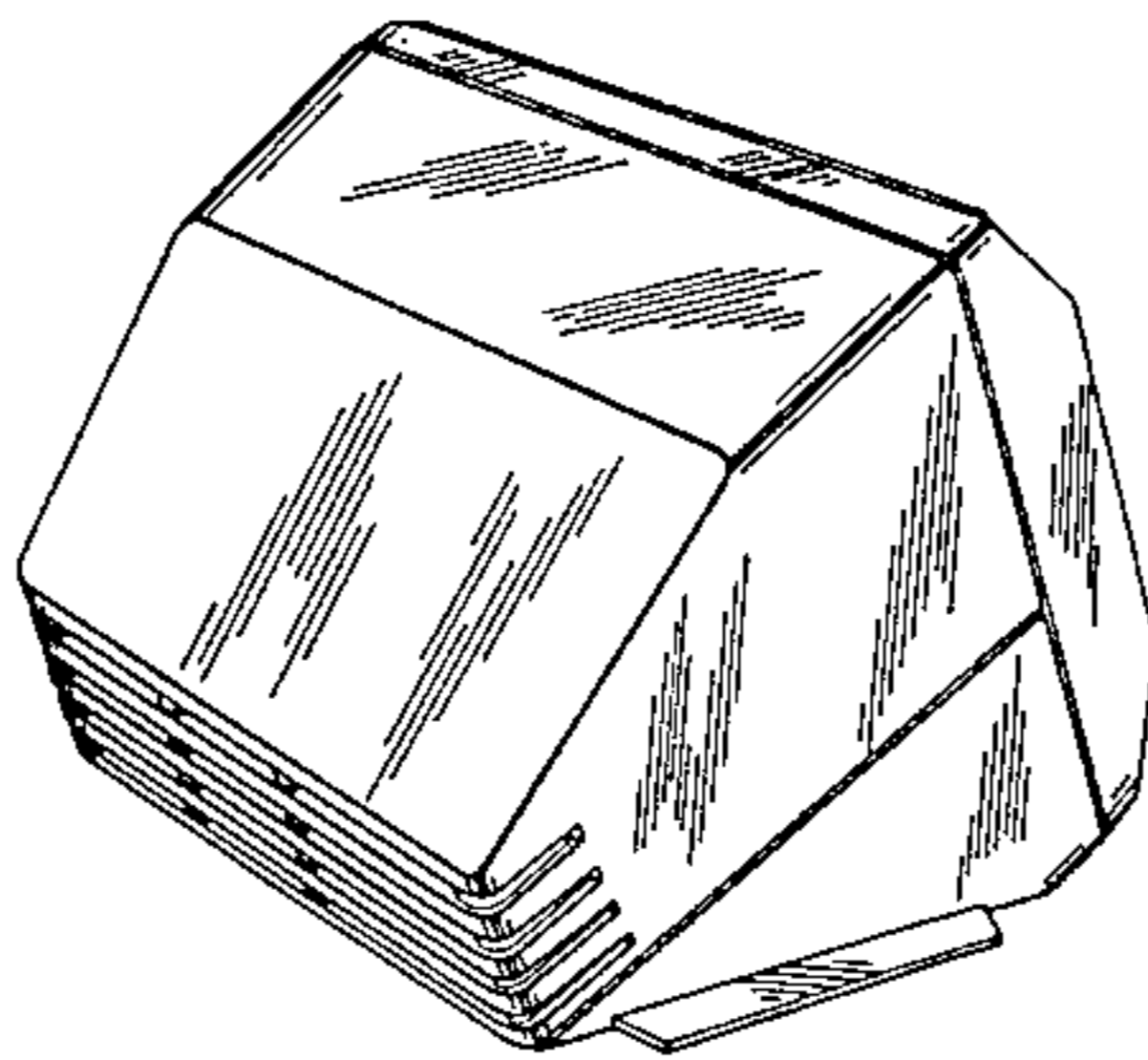
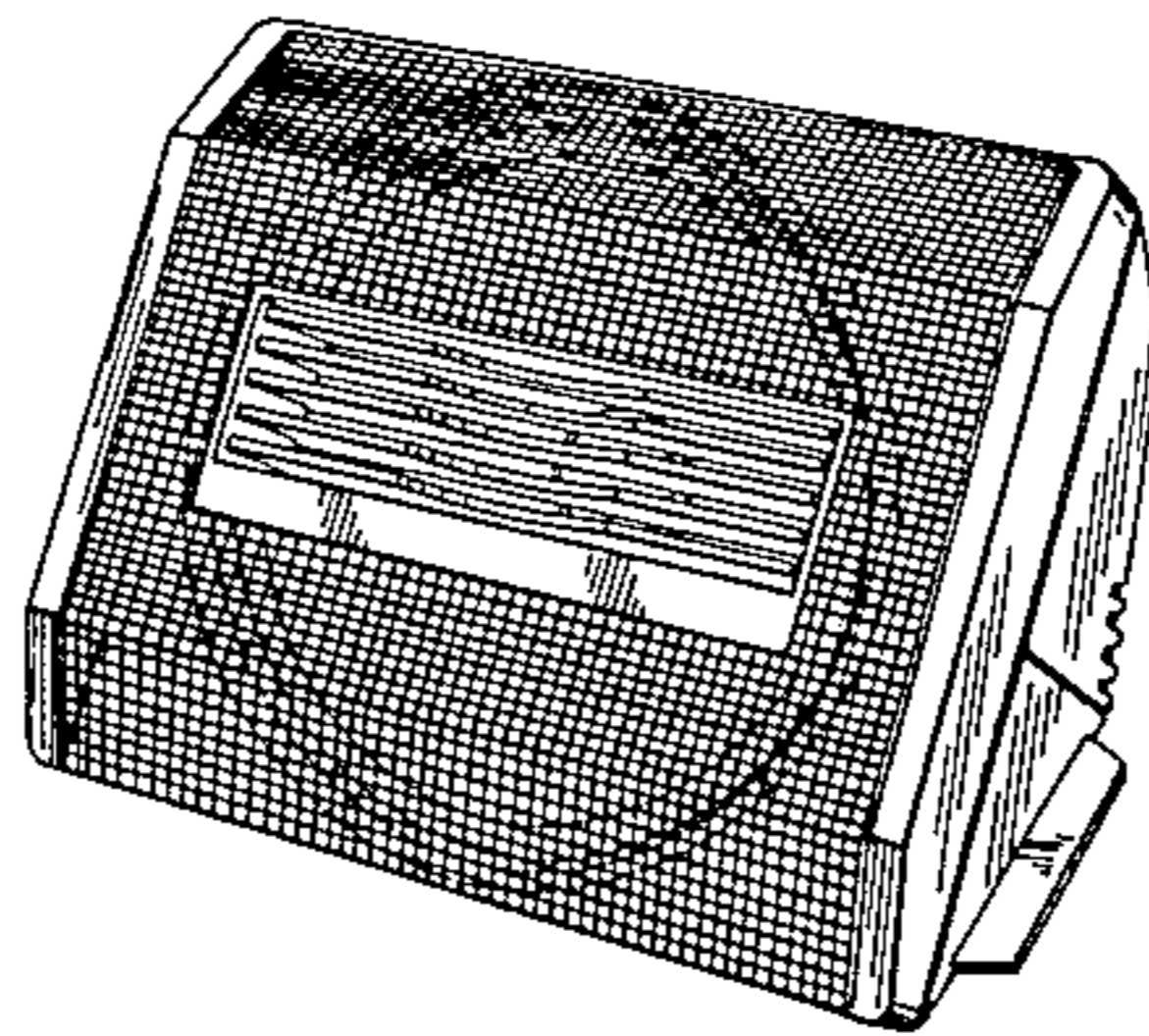


FIG. 5

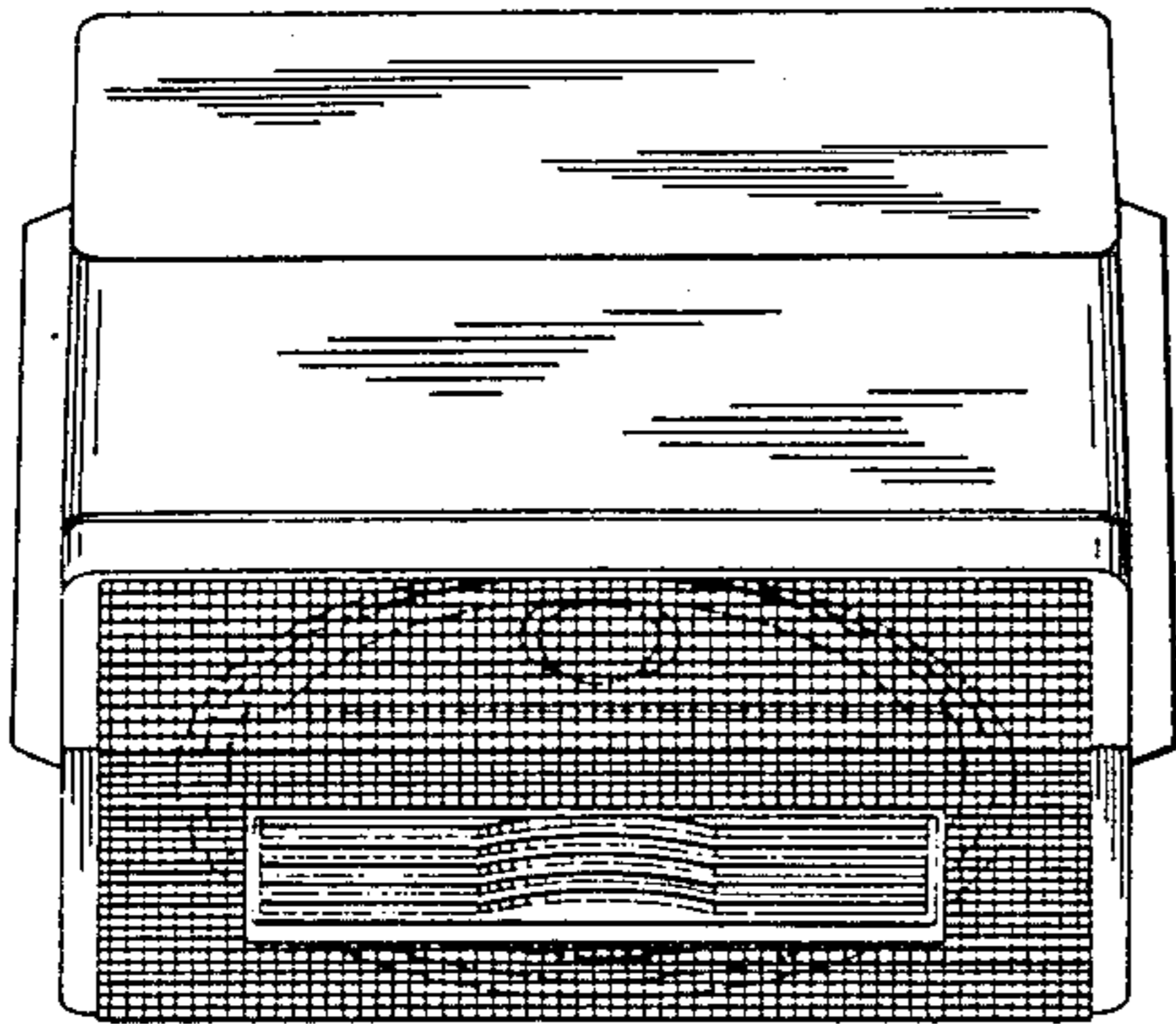


FIG. 2

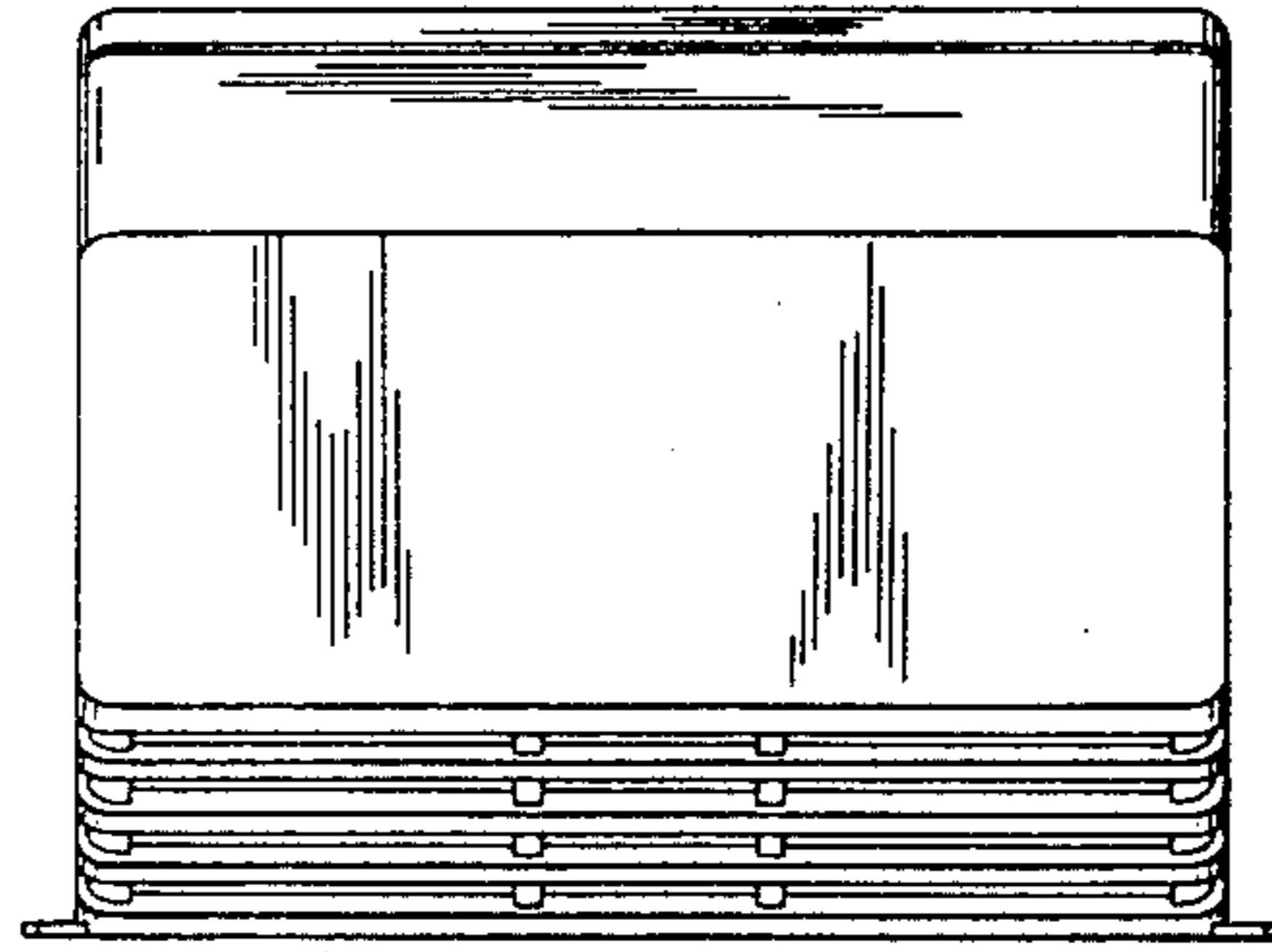


FIG. 1

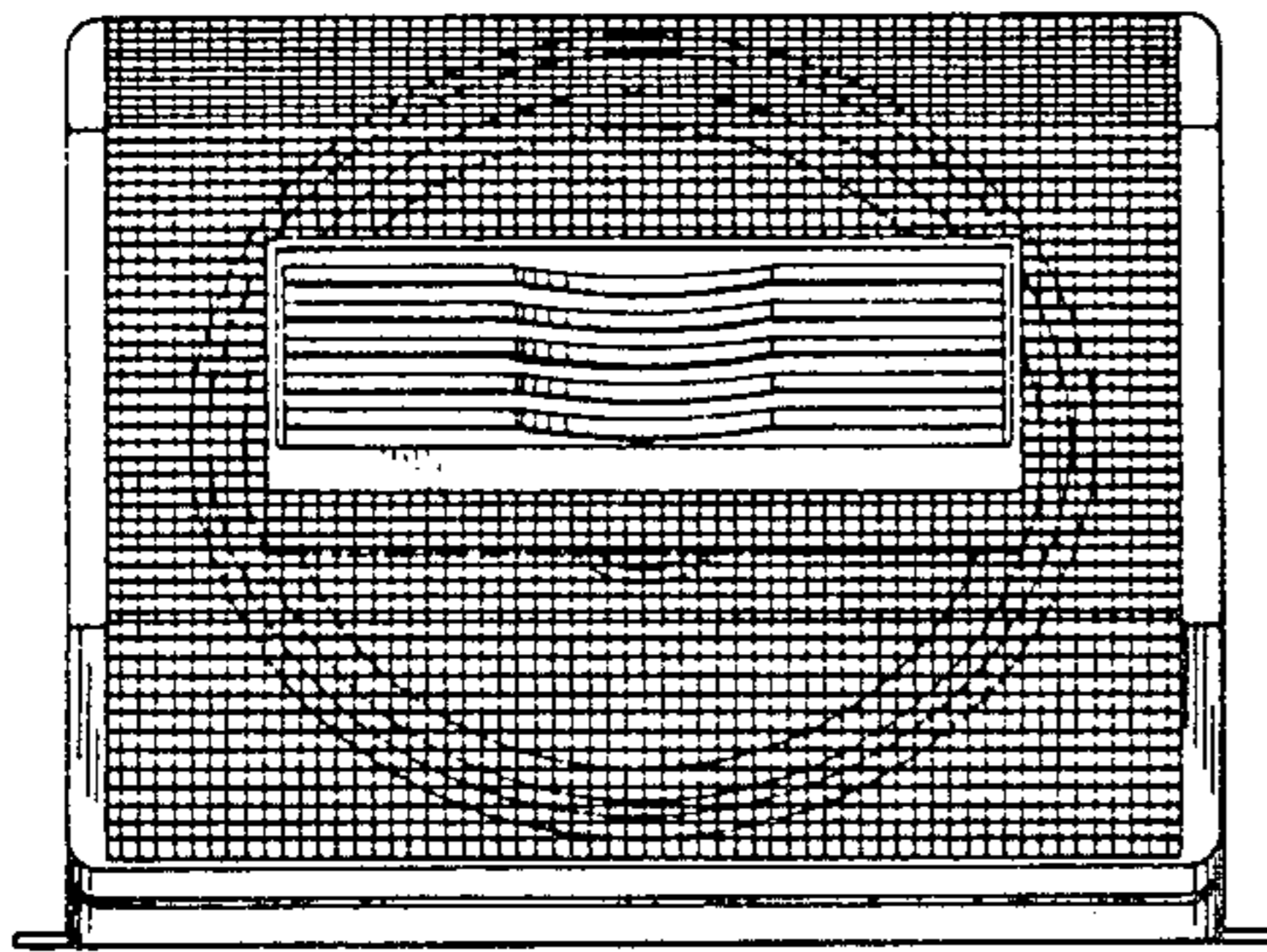


FIG. 3

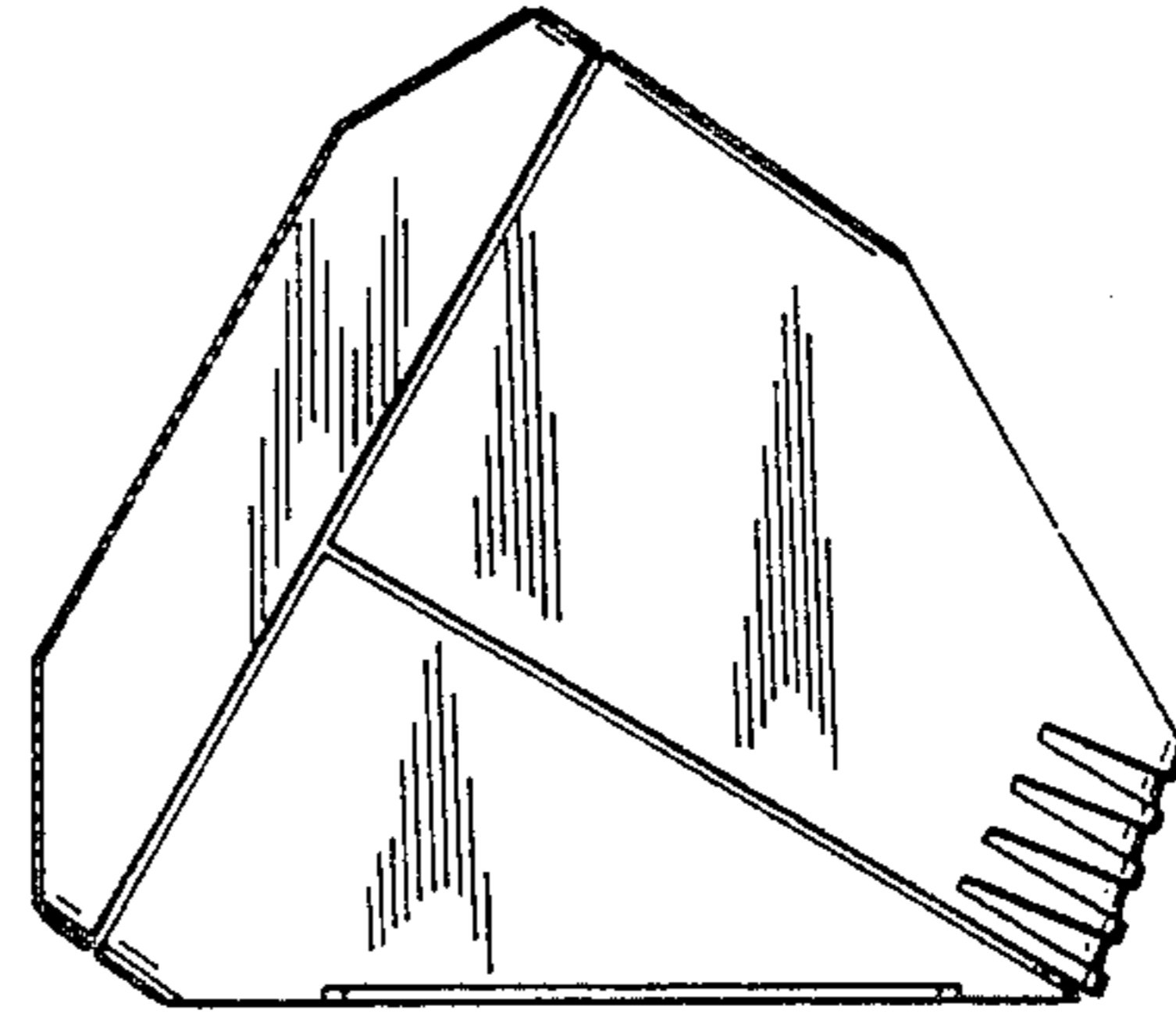


FIG. 6

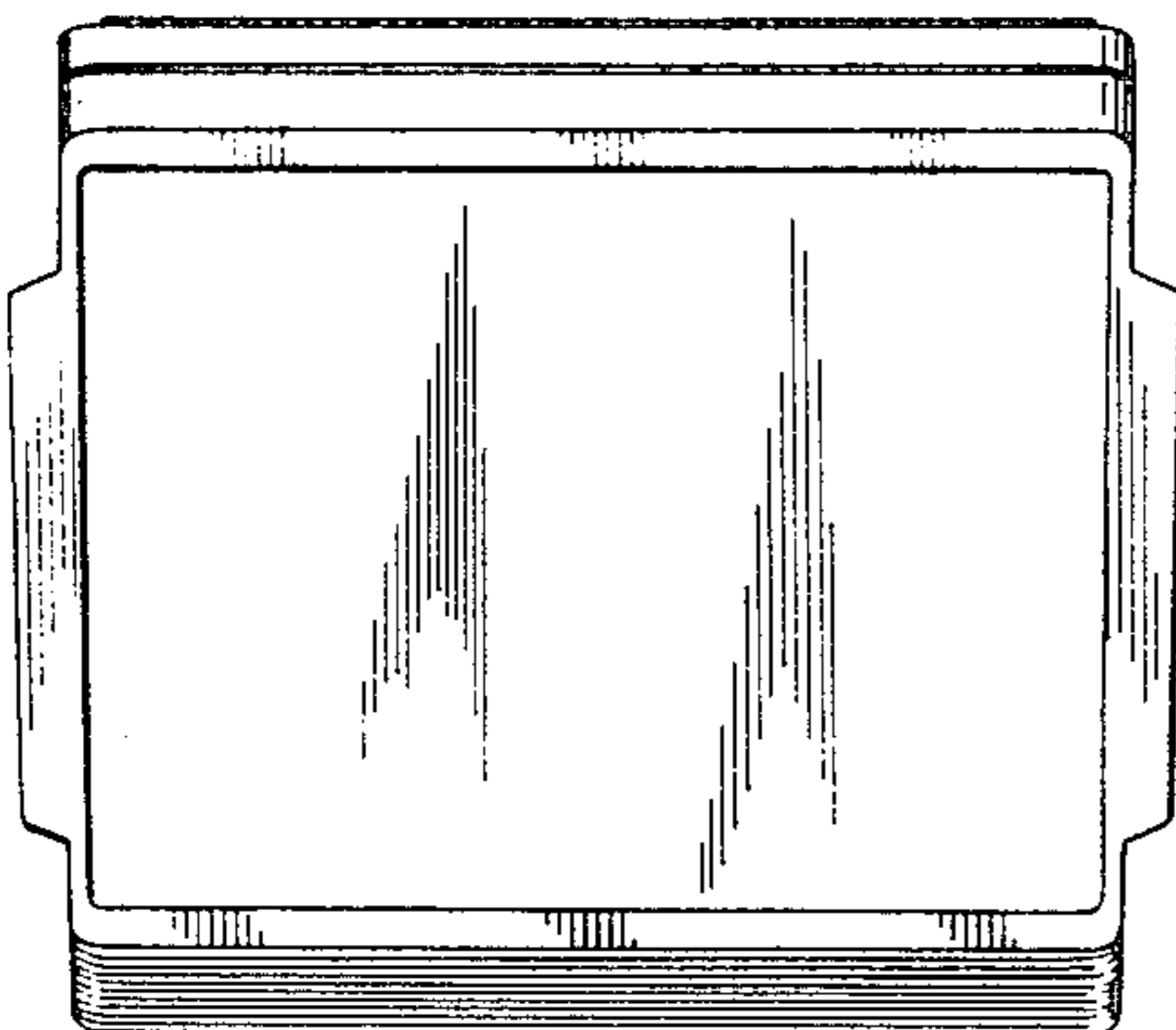


FIG. 4

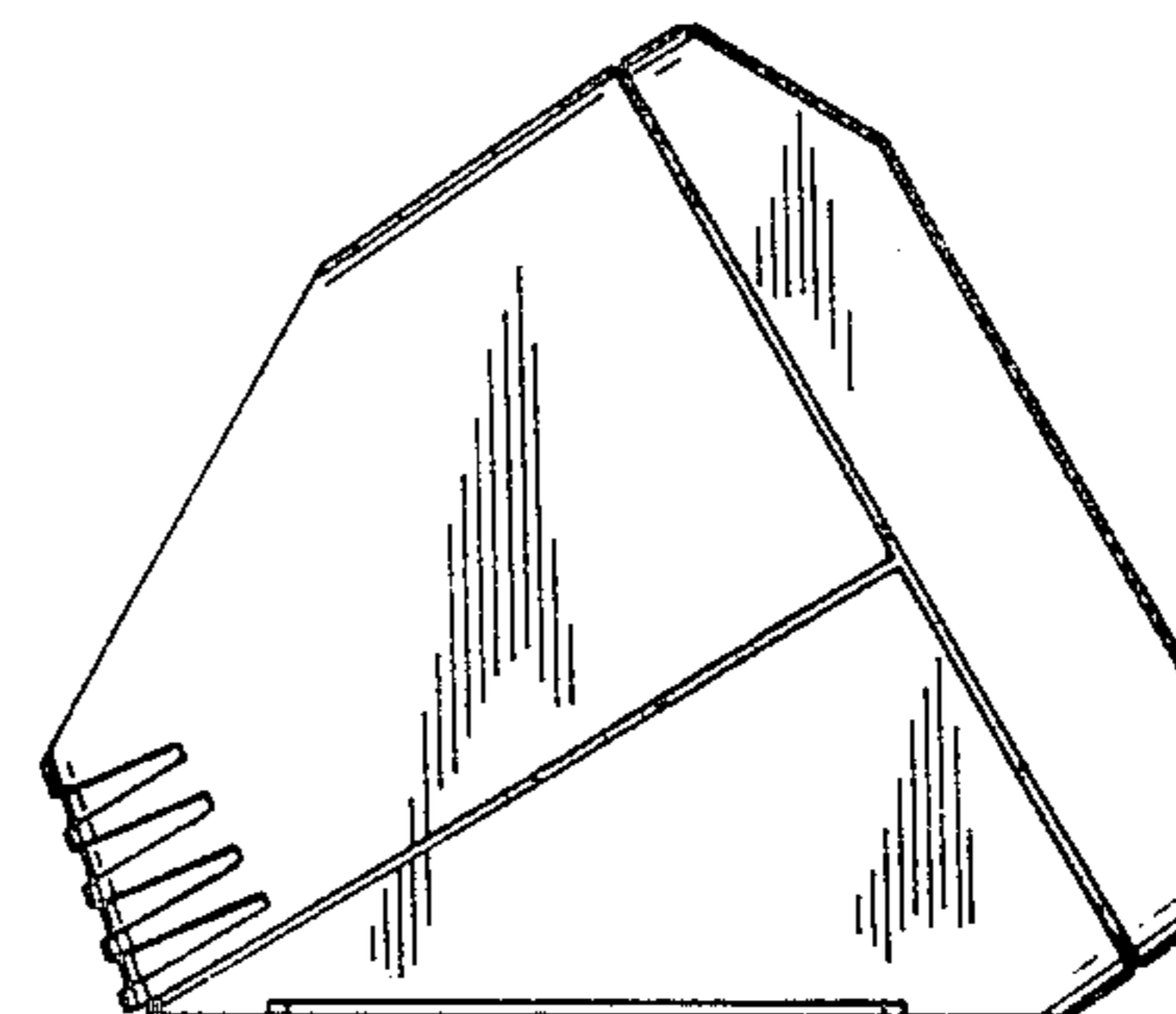


FIG. 7

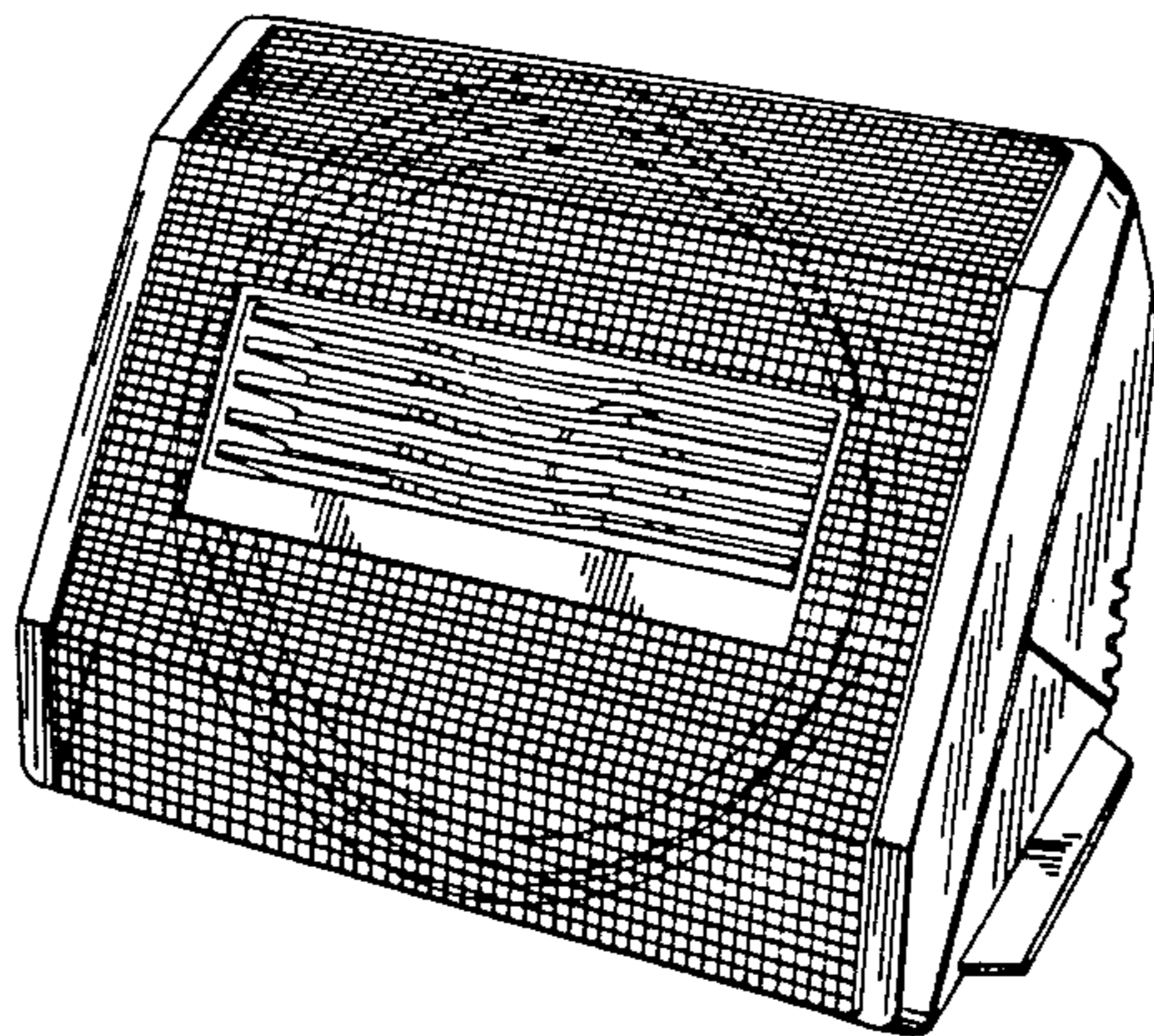


FIG. 8

