

[54] **REAR BUMPER FOR AN AUTOMOBILE**

[75] Inventors: **Richard A. Teague, Franklin; Robert C. Nixon; George M. Krispinsky**, both of Huntington Woods; **Jack E. Kenitz**, New Baltimore; **Gary D. Guichard**, Dearborn Heights, all of Mich.

[73] Assignee: **American Motors Corporation**, Southfield, Mich.

[**] Term: **14 Years**

[21] Appl. No.: **432,155**

[22] Filed: **Sep. 30, 1982**

[52] U.S. Cl. **D12/169**

[58] Field of Search **D12/169; 293/102, 120**

[56] **References Cited**

FOREIGN PATENT DOCUMENTS

3011906 12/1980 Fed. Rep. of Germany 293/120

OTHER PUBLICATIONS

Road & Track, 8/81, p. 25, Rear Bumper of Renault 18i Sportswagon, bottom of page.

Primary Examiner—James M. Gandy

[57] **CLAIM**

The ornamental design for a rear bumper for an automobile, as shown and described.

DESCRIPTION

FIG. 1 is a perspective view of the front and one side of a rear bumper for an automobile showing our new design;

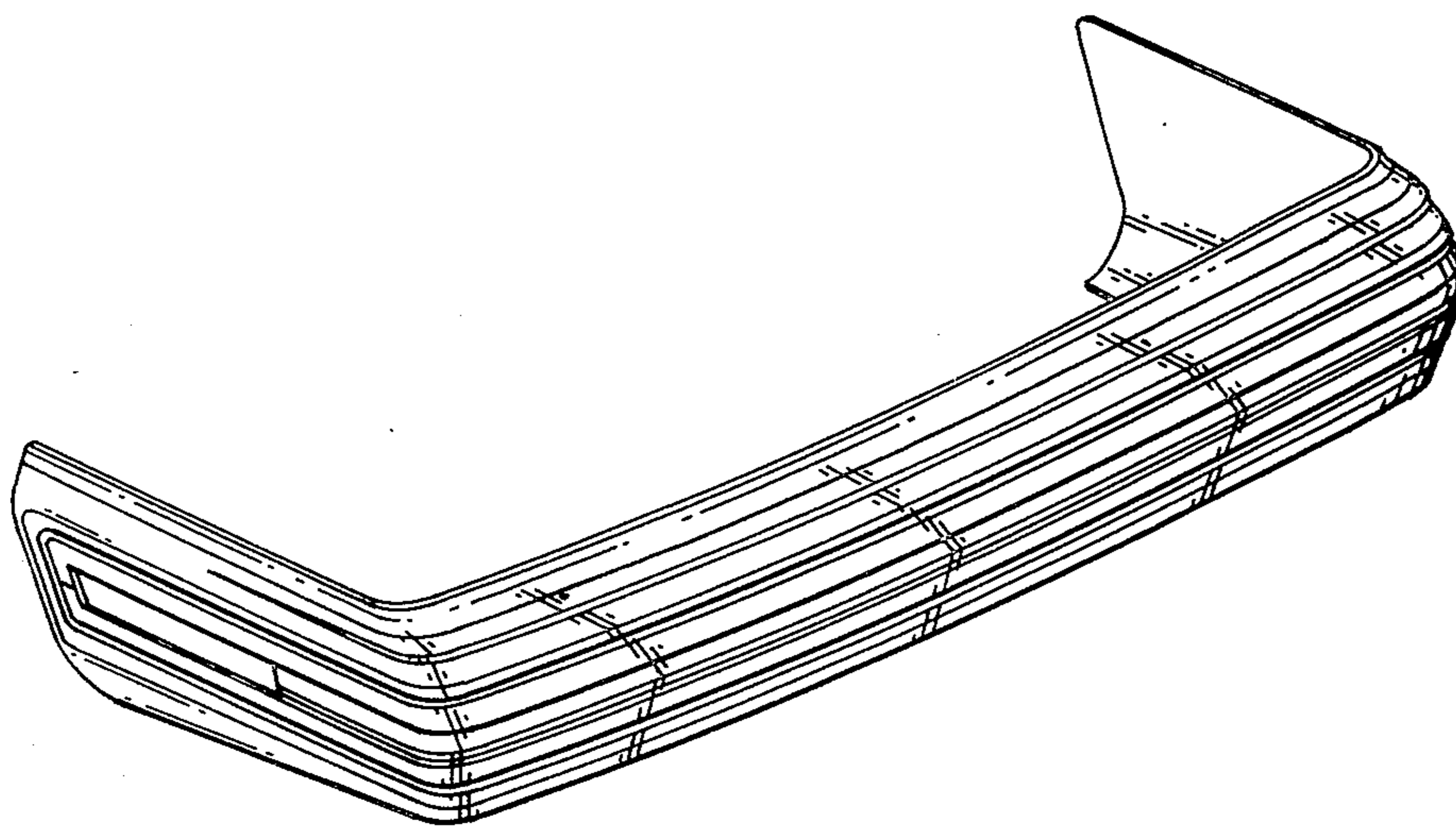
FIG. 2 is a perspective view of the front and opposite side thereof to an enlarged scale;

FIG. 3 is a greatly enlarged side elevational view thereof;

FIG. 4 is a greatly enlarged top plan view thereof; and

FIG. 5 is a greatly enlarged front elevational view thereof.

The broken lines in the drawings are for illustrative purposes only.



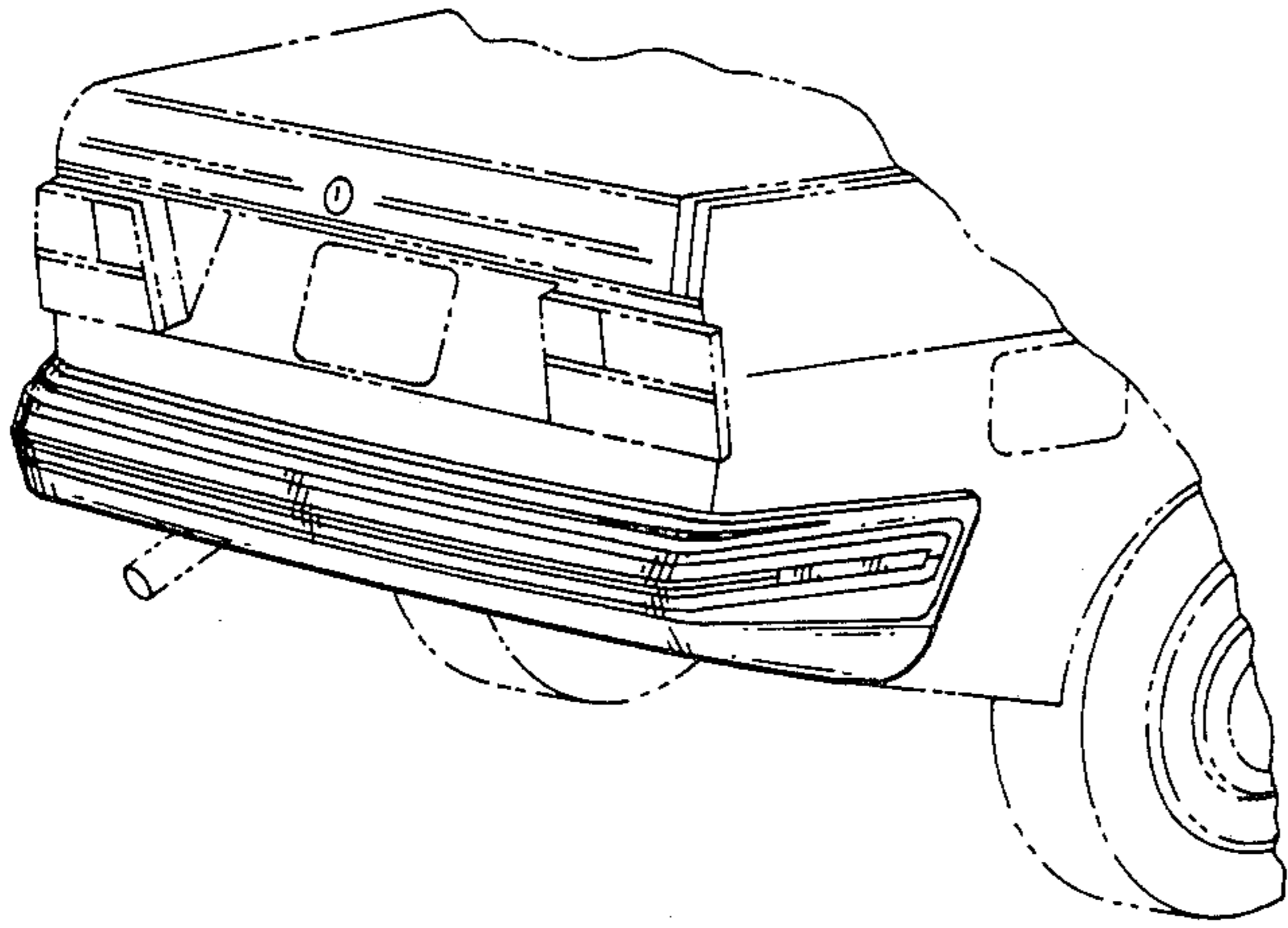


Fig. 1

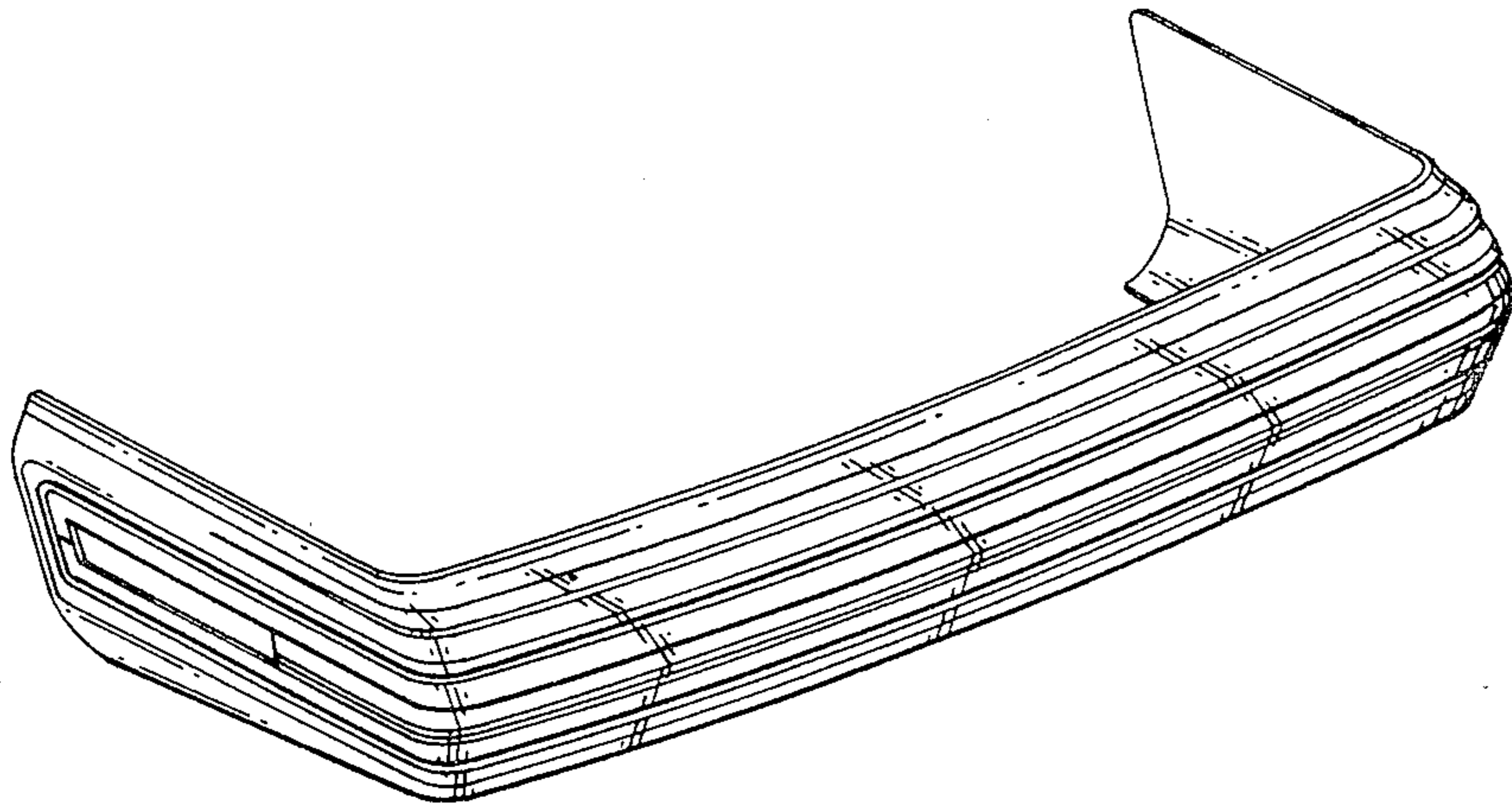


Fig. 2

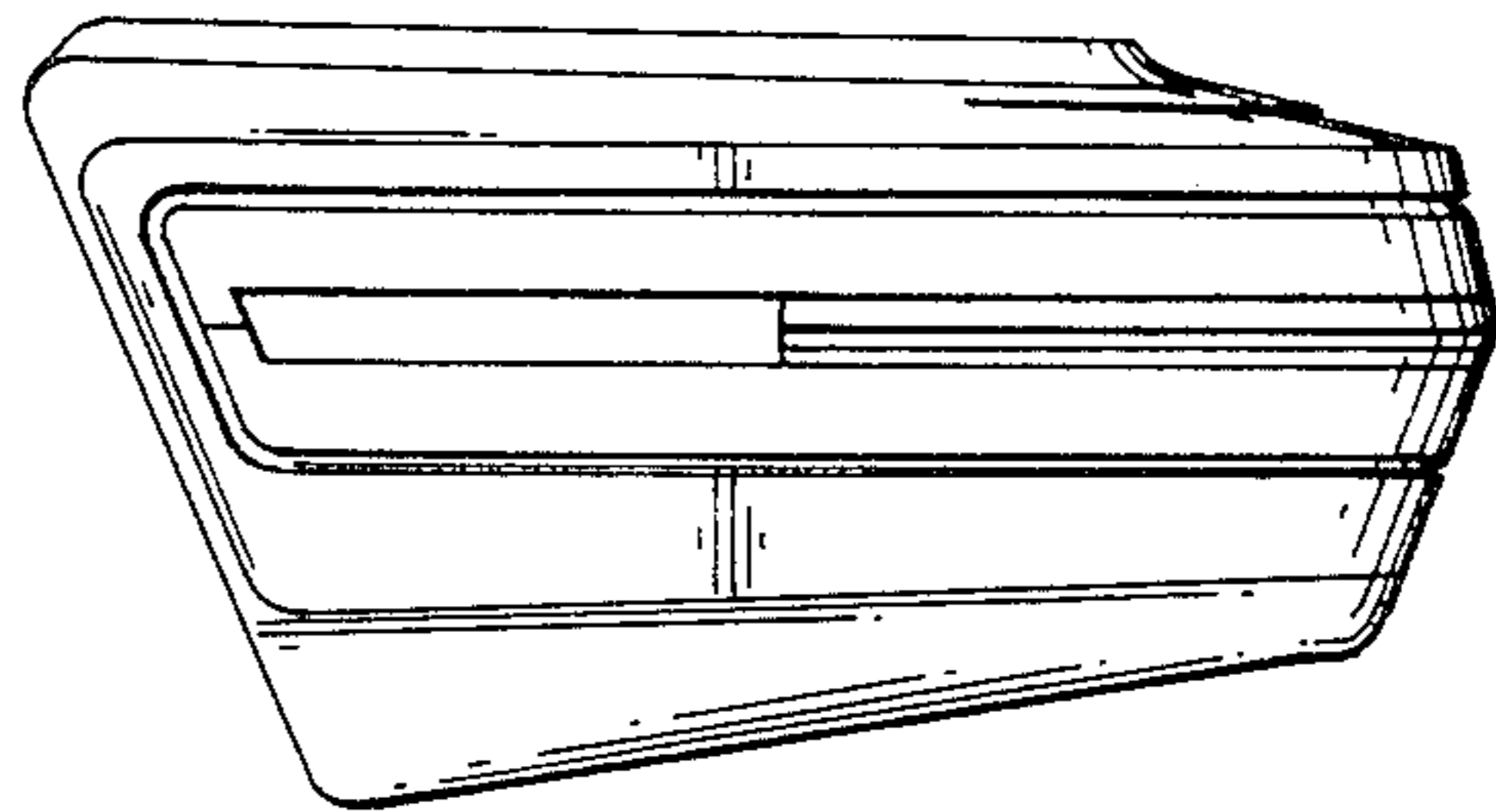


Fig. 3

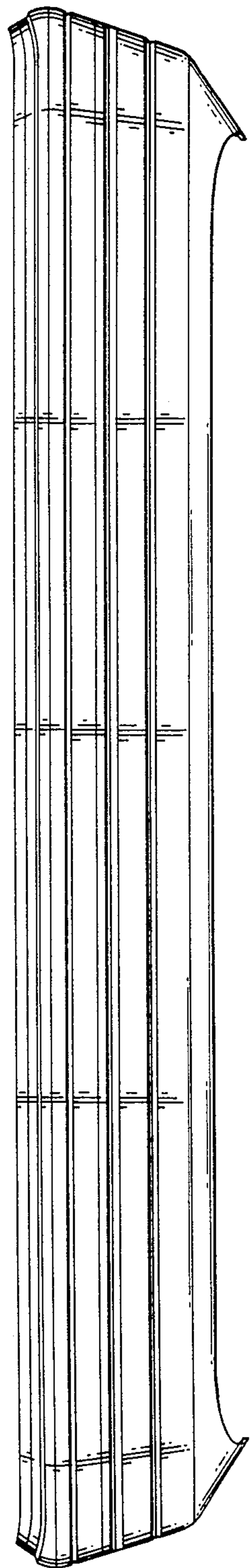


Fig. 5

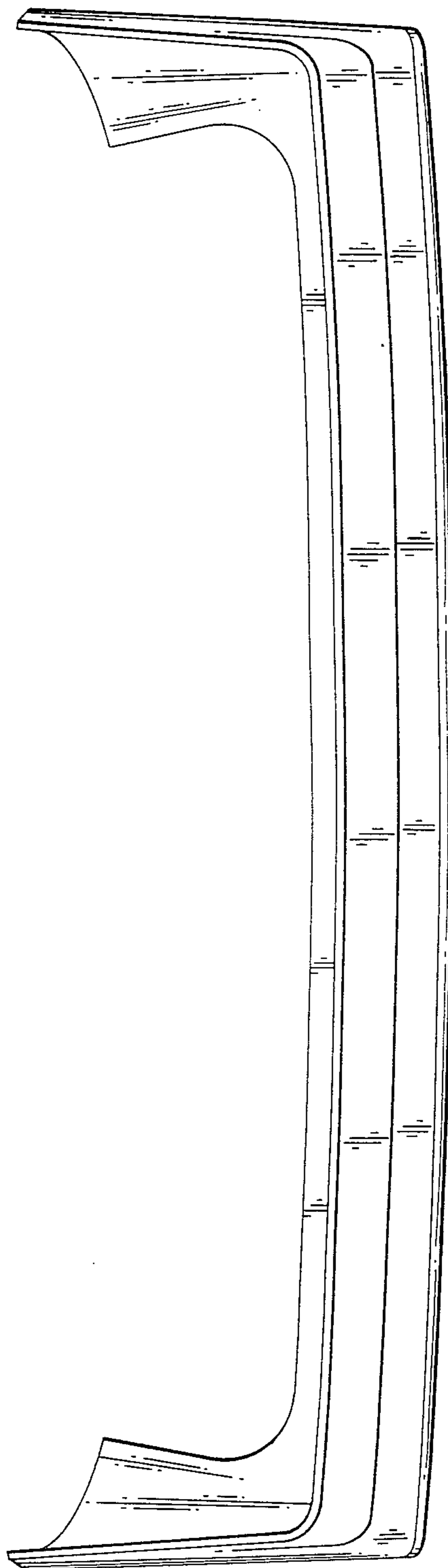


Fig. 4