

[54] SIMULATED TIME BOMB

[76] Inventor: Gary J. Hikiss, 1237 Yale St., No. 6, Santa Monica, Calif. 90404

[**] Term: 14 Years

[21] Appl. No.: 524,999

[22] Filed: Aug. 22, 1983

[52] U.S. Cl. D11/157; D22/10

[58] Field of Search D11/131-133, D11/157; D21/109, 145; D19/97; D22/10; 428/13-15; 102/255, 257, 264, 266, 268, 301, 302, 323, 325, 326, 331-333

[56] References Cited

U.S. PATENT DOCUMENTS

D. 254,263 2/1980 Appel D21/109 X

1,541,790 6/1925 Cheley et al. 102/331 X
2,262,445 11/1941 Alford 102/302
2,514,499 7/1950 Kharasch et al. 102/257

OTHER PUBLICATIONS

Office Products Dealer, 8/82, Dynamite on cover photo.

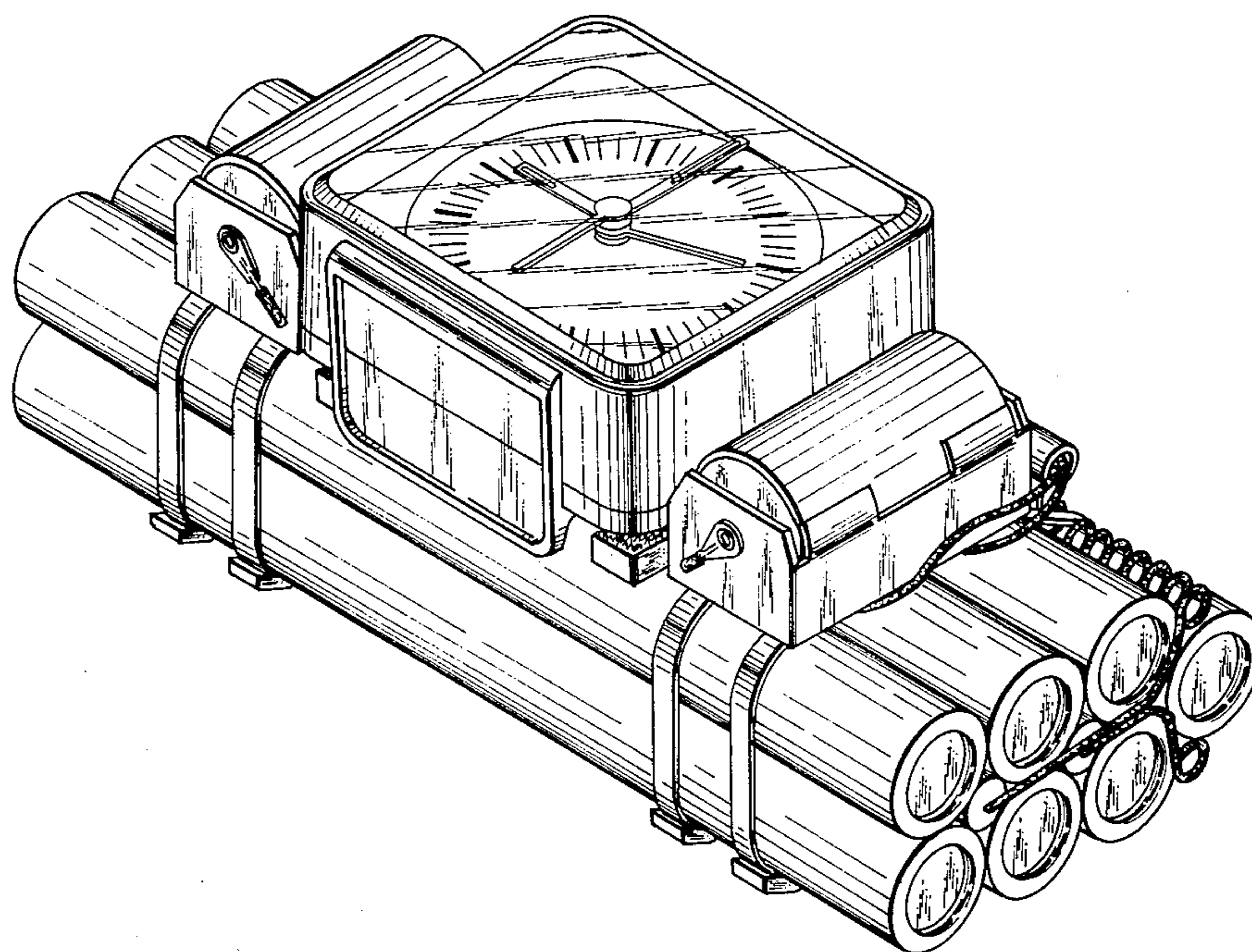
Primary Examiner—Louis S. Zarfaz
Attorney, Agent, or Firm—Evanns & Walsh

[57] CLAIM

The ornamental design for a simulated time bomb, substantially as shown and described.

DESCRIPTION

FIG. 1 is an isometric view of a simulated time bomb showing my new design;
FIG. 2 is a left end elevational view thereof;
FIG. 3 is a rear elevational view thereof; and
FIG. 4 is a bottom plan view thereof.



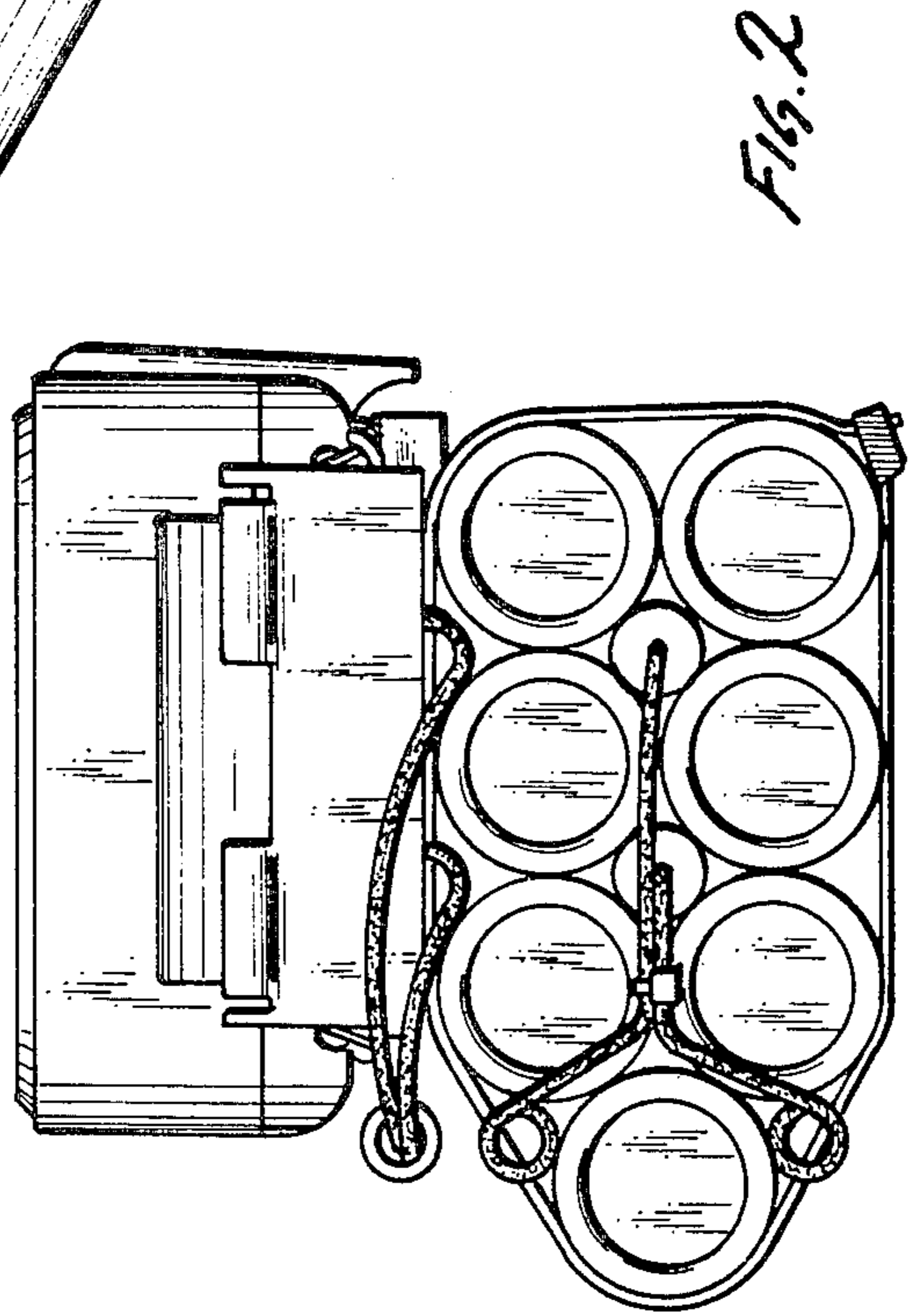
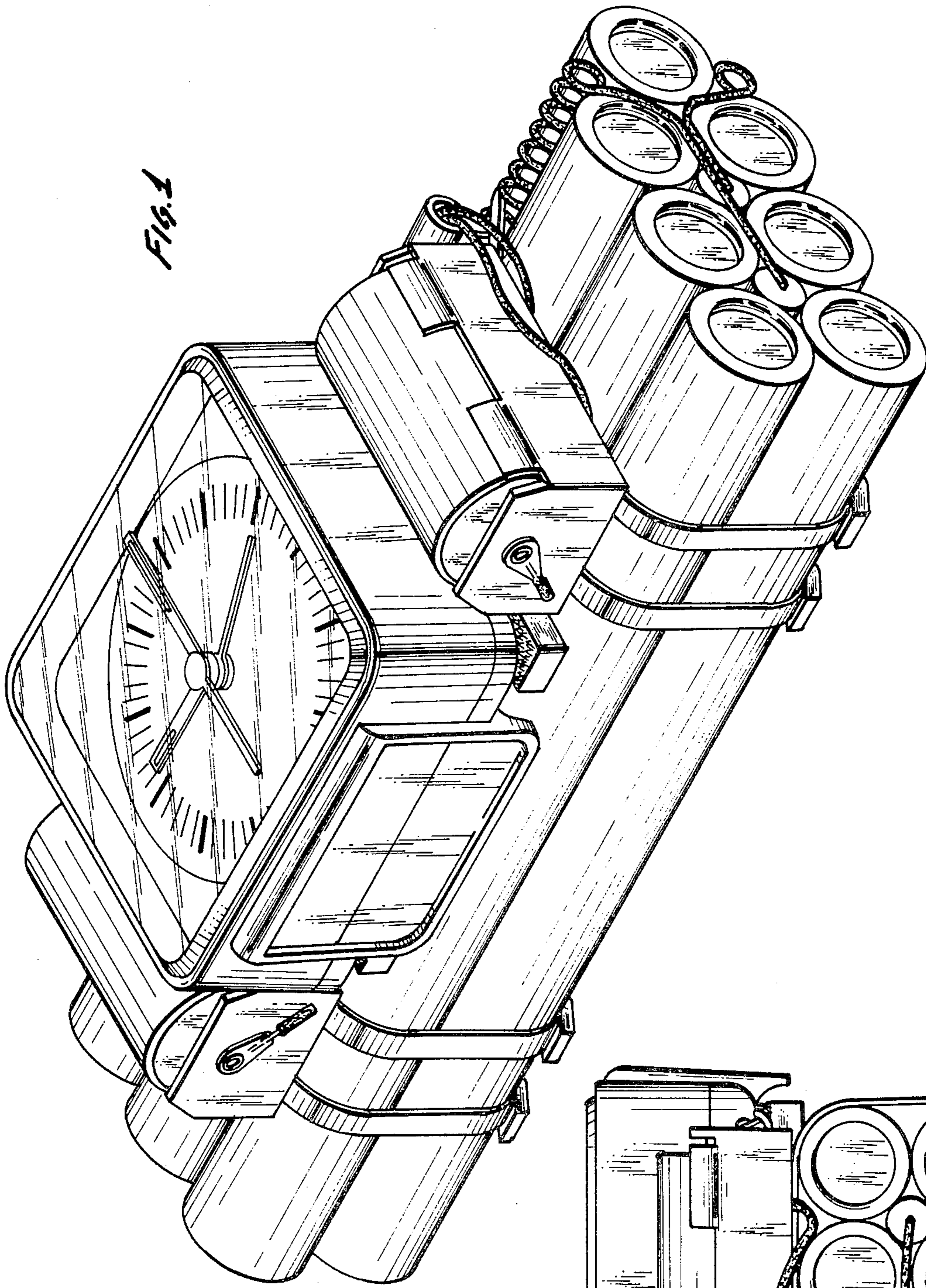


FIG. 3

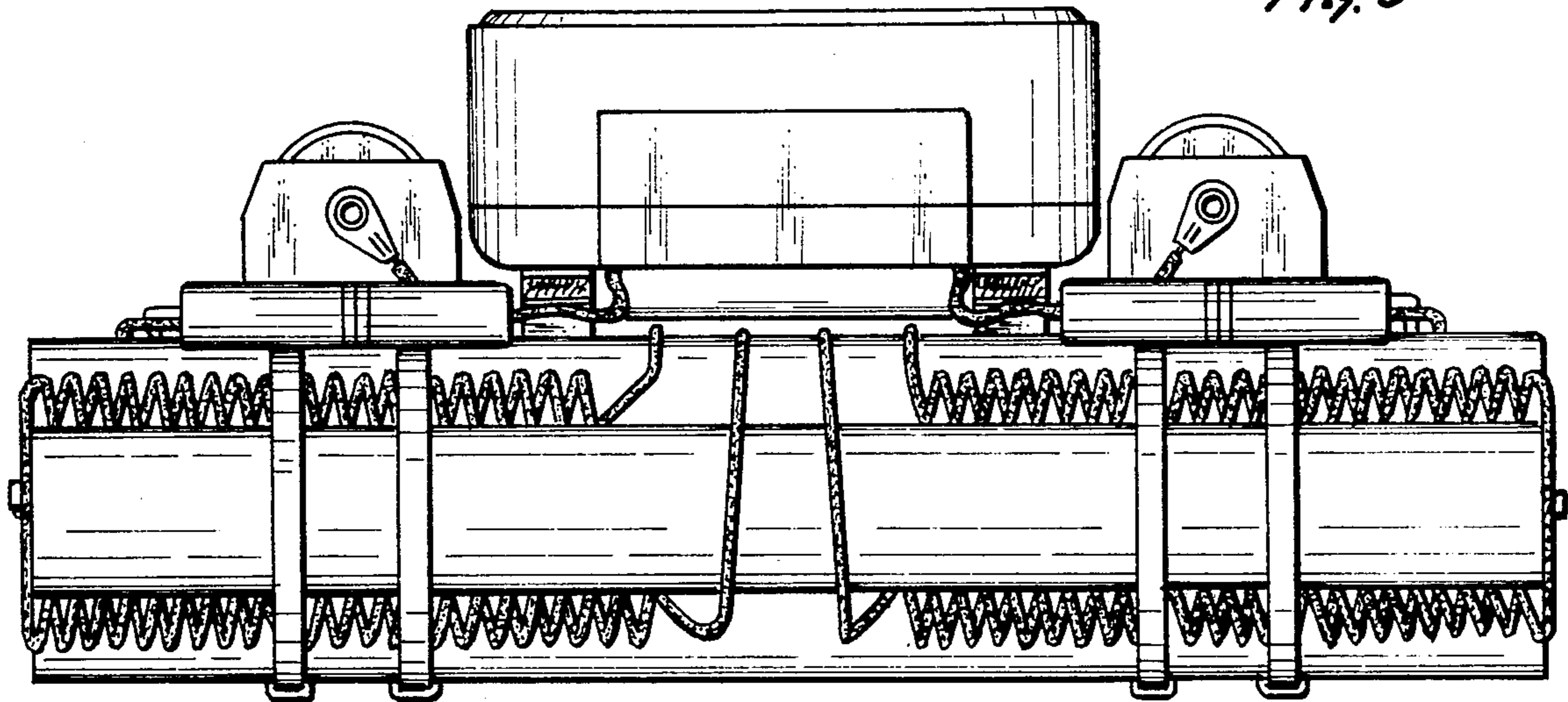


FIG. 4

