

[54] TEAR OPEN BOTTLE CAP

[75] Inventor: Jan Berglund, Västra Frölunda, Sweden

[73] Assignee: Wicanders AG, Zug, Switzerland

[**] Term: 14 Years

[21] Appl. No.: 475,832

[22] Filed: Mar. 16, 1983

[30] Foreign Application Priority Data

- Jan. 31, 1983 [GB] United Kingdom 1011161
- Jan. 31, 1983 [GB] United Kingdom 1011162
- Jan. 31, 1983 [GB] United Kingdom 1011163
- Jan. 31, 1983 [GB] United Kingdom 1011164

[52] U.S. Cl. D9/438

[58] Field of Search D9/438; 215/304, 255, 215/254, 253

[56] References Cited

U.S. PATENT DOCUMENTS

- 1,549,080 8/1925 Henson 215/304
- 3,380,609 4/1968 Potts 215/254
- 3,785,519 1/1974 Huh 215/254
- 3,958,710 5/1976 Harding et al. 215/254
- 3,963,140 6/1976 Harding 215/254

- 4,003,488 1/1977 Moller 215/254
- 4,227,619 10/1980 Magnusson 215/255

FOREIGN PATENT DOCUMENTS

- 2116393 8/1973 Fed. Rep. of Germany 215/254
- 2312417 12/1976 France 215/254

Primary Examiner—Bernard Ansher
Assistant Examiner—Linda Titolo
Attorney, Agent, or Firm—Brumbaugh, Graves, Donohue & Raymond

[57] CLAIM

The ornamental design of a tear open bottle cap, substantially as shown.

DESCRIPTION

FIG. 1 is a top front perspective view of a tear open bottle cap showing my new design;
FIG. 2 is a left side elevational view thereof; the right side being a mirror image thereof;
FIG. 3 is a rear elevational view thereof;
FIG. 4 is a bottom plan view thereof;
FIG. 5 is a top front perspective view of a second embodiment of a tear open bottle cap, showing my new design;
FIG. 6 is a left side elevational view thereof;
FIG. 7 is a rear elevational view thereof; and
FIG. 8 is a bottom plan view thereof.

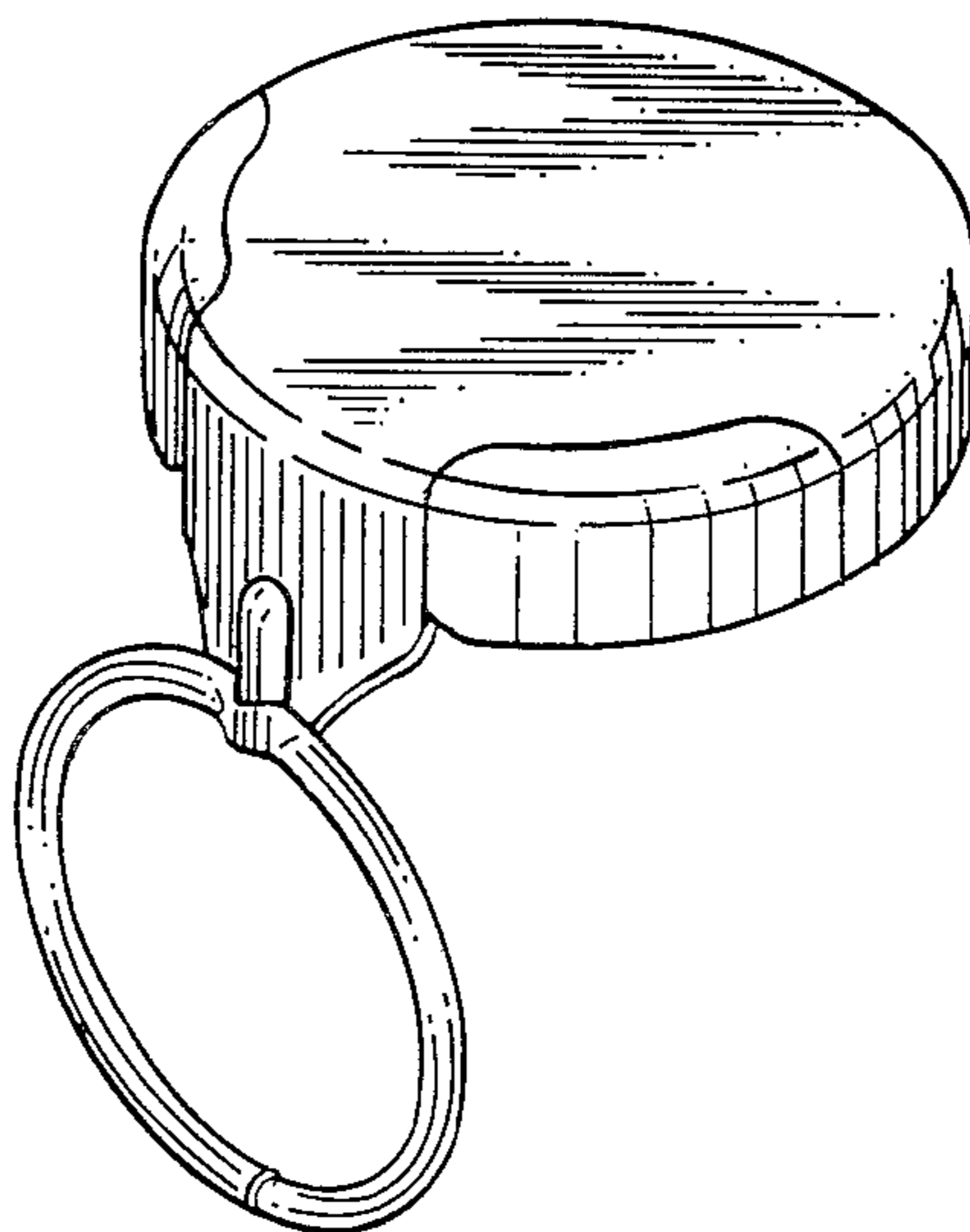


Fig. 1

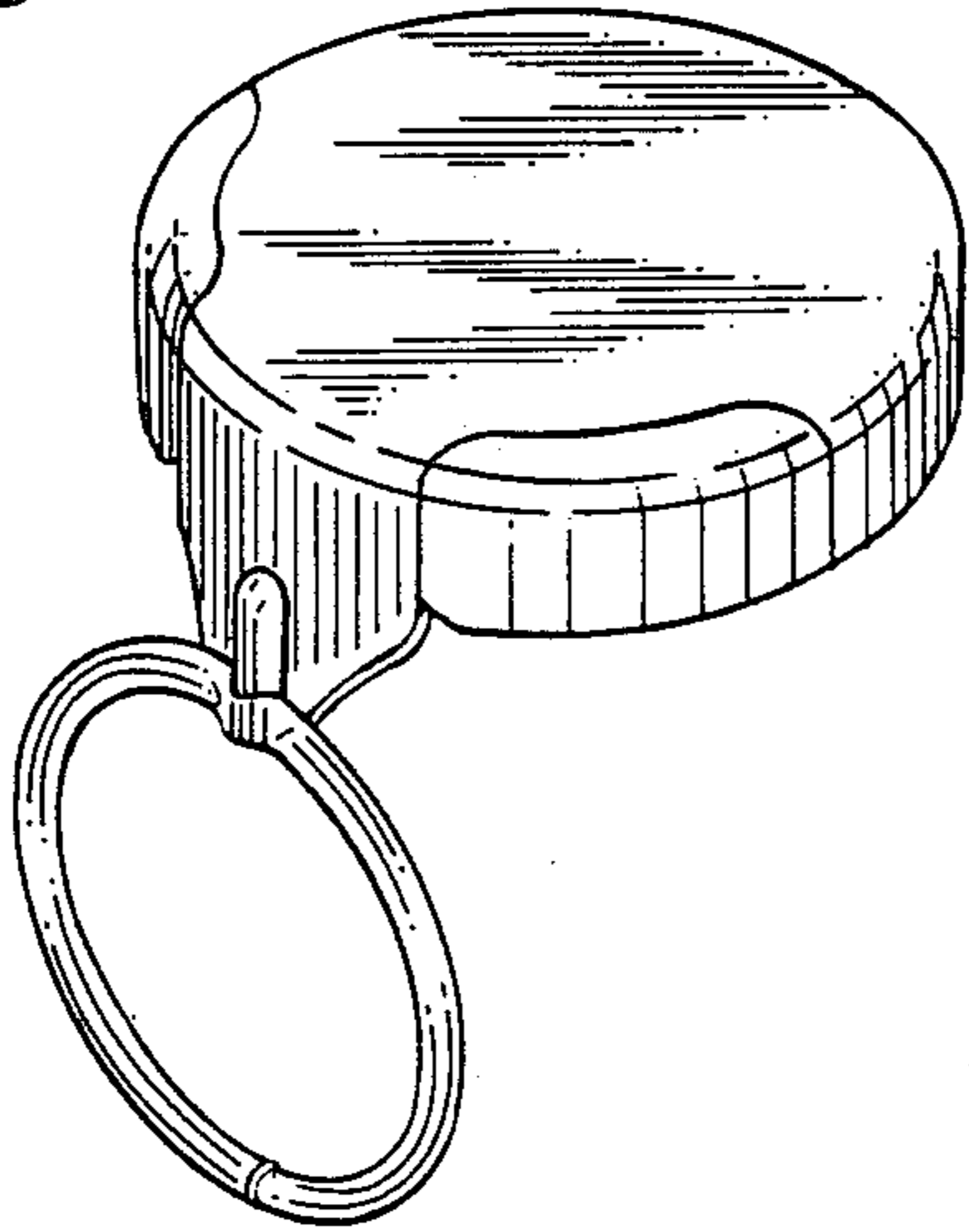


Fig. 2

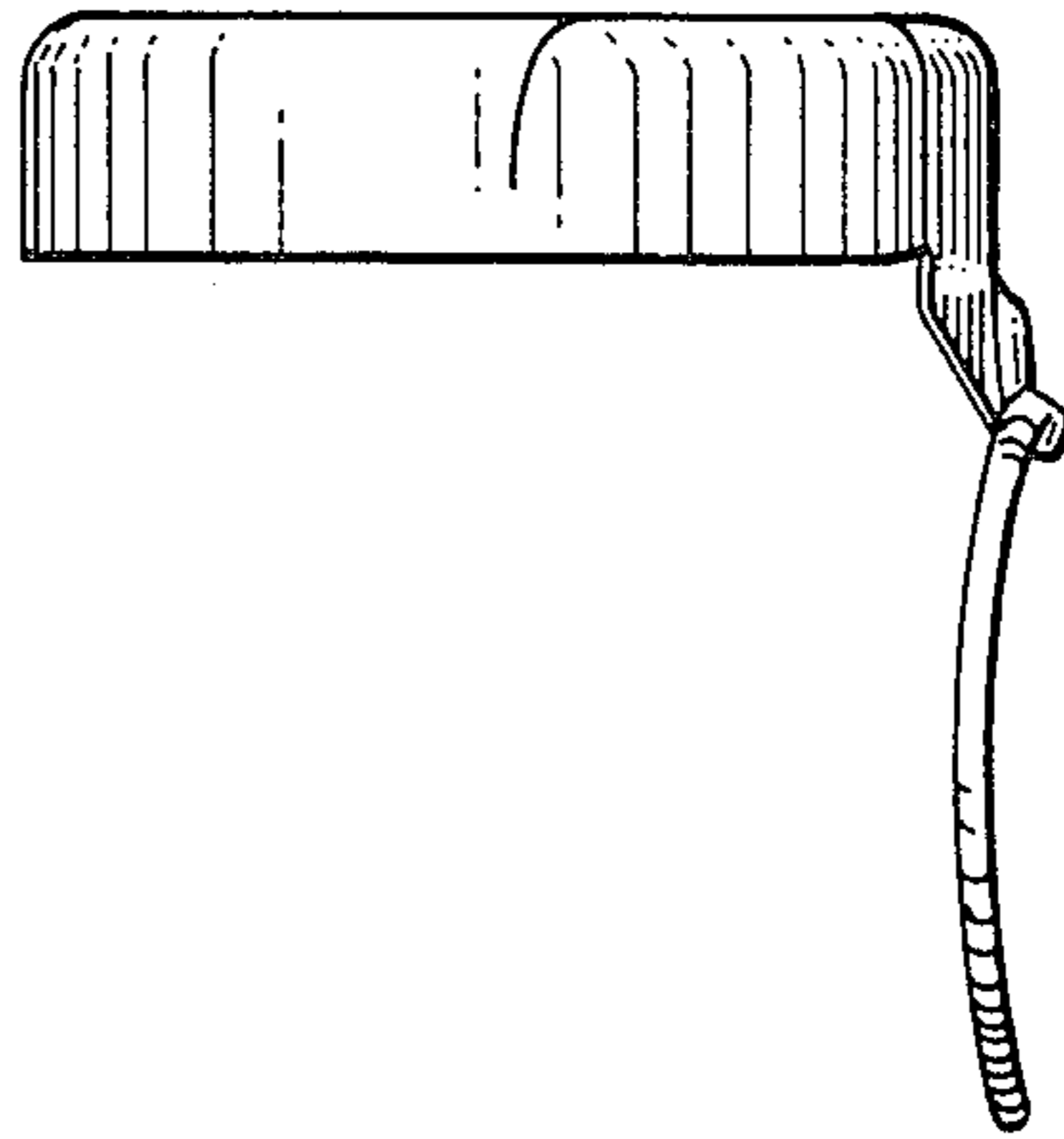


Fig. 3

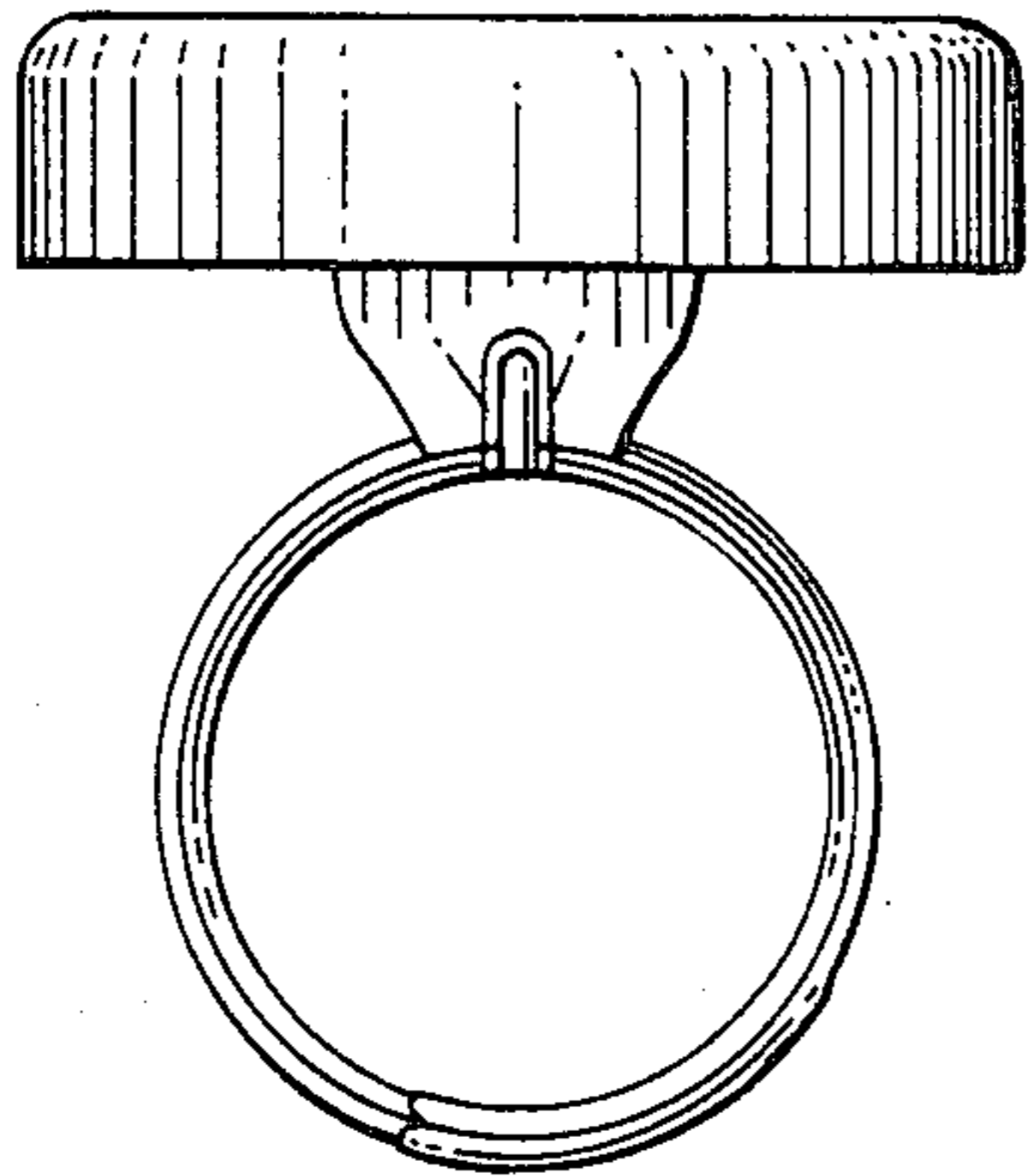


Fig. 4

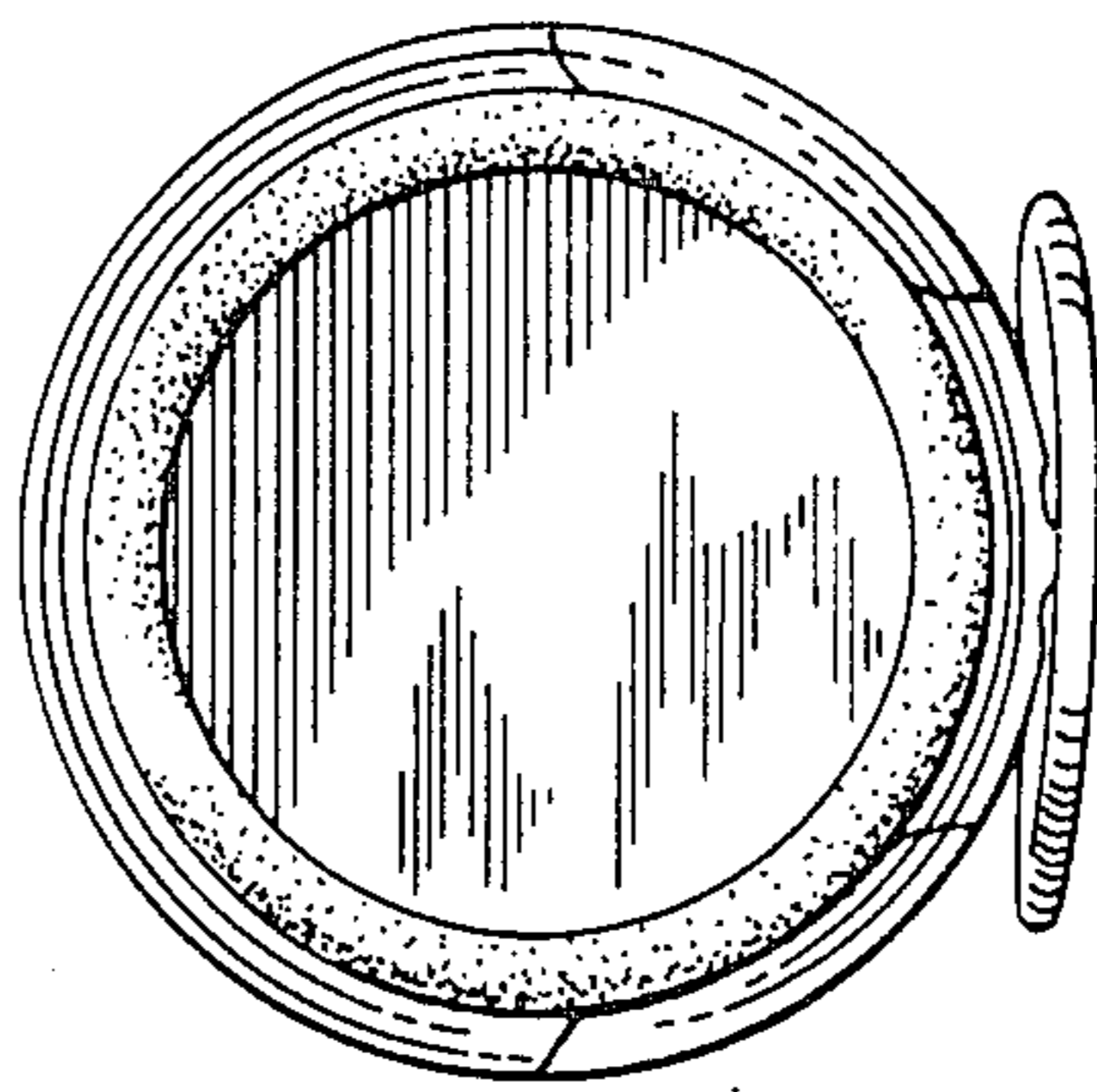


Fig. 5

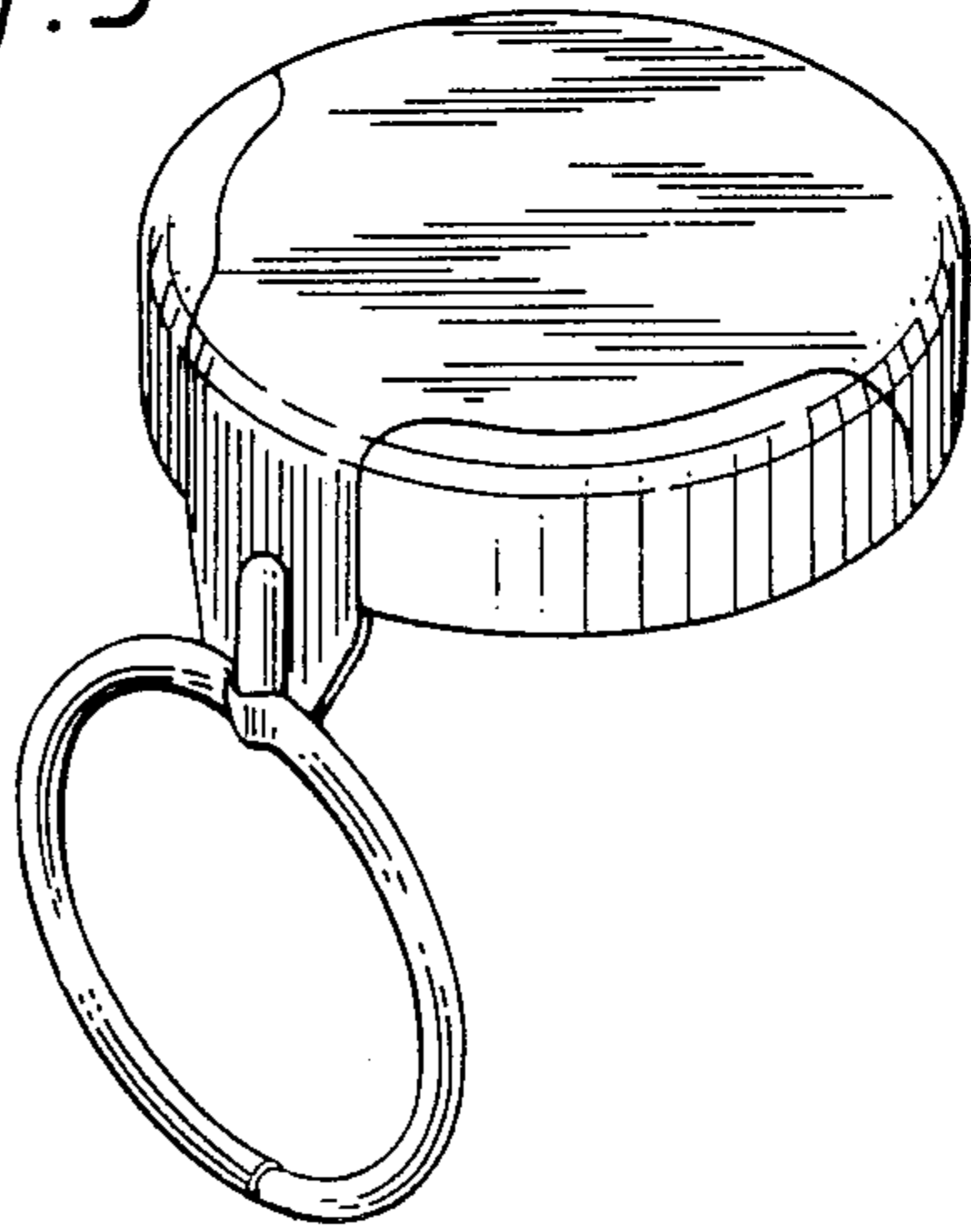


Fig. 6

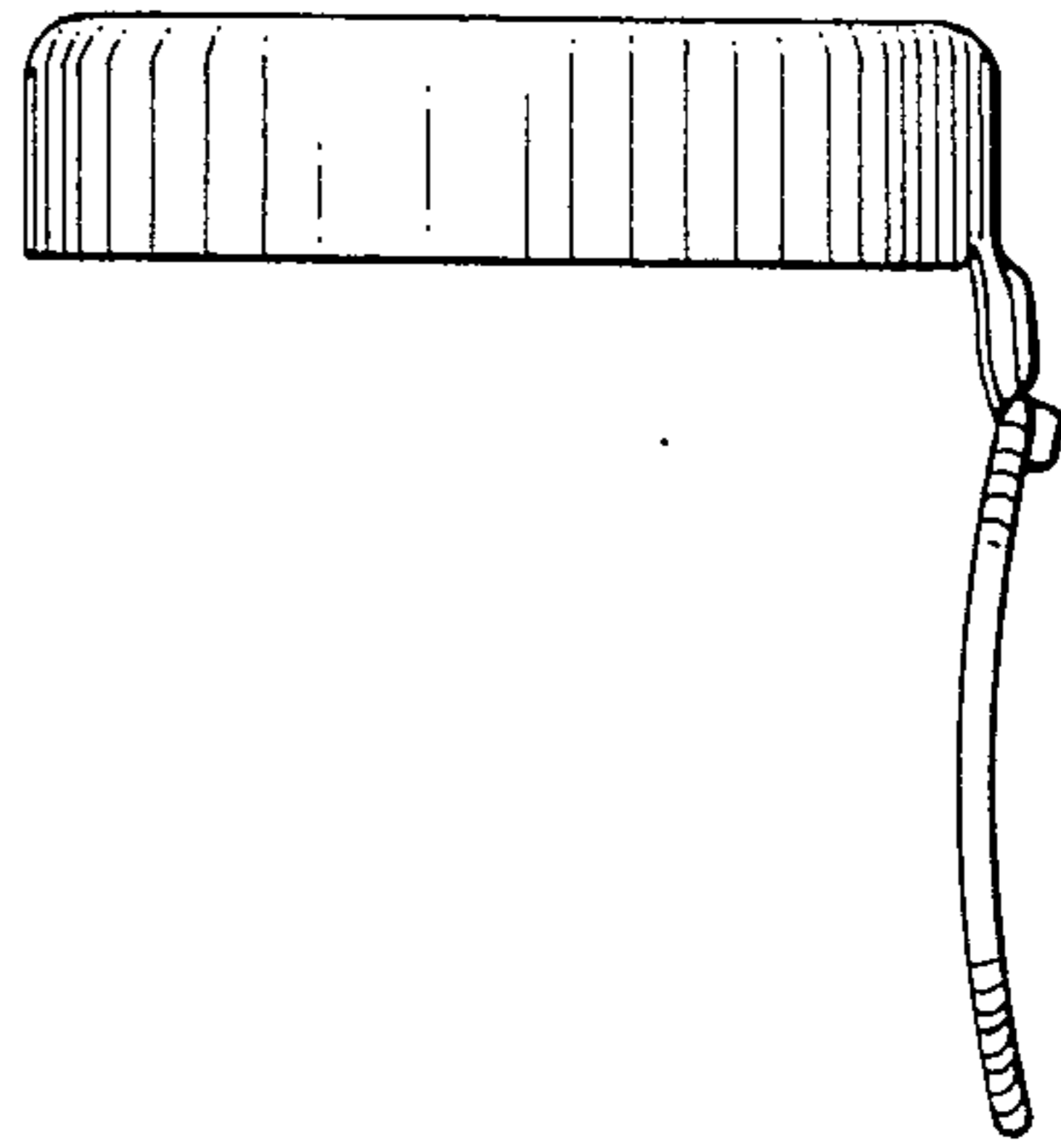


Fig. 7

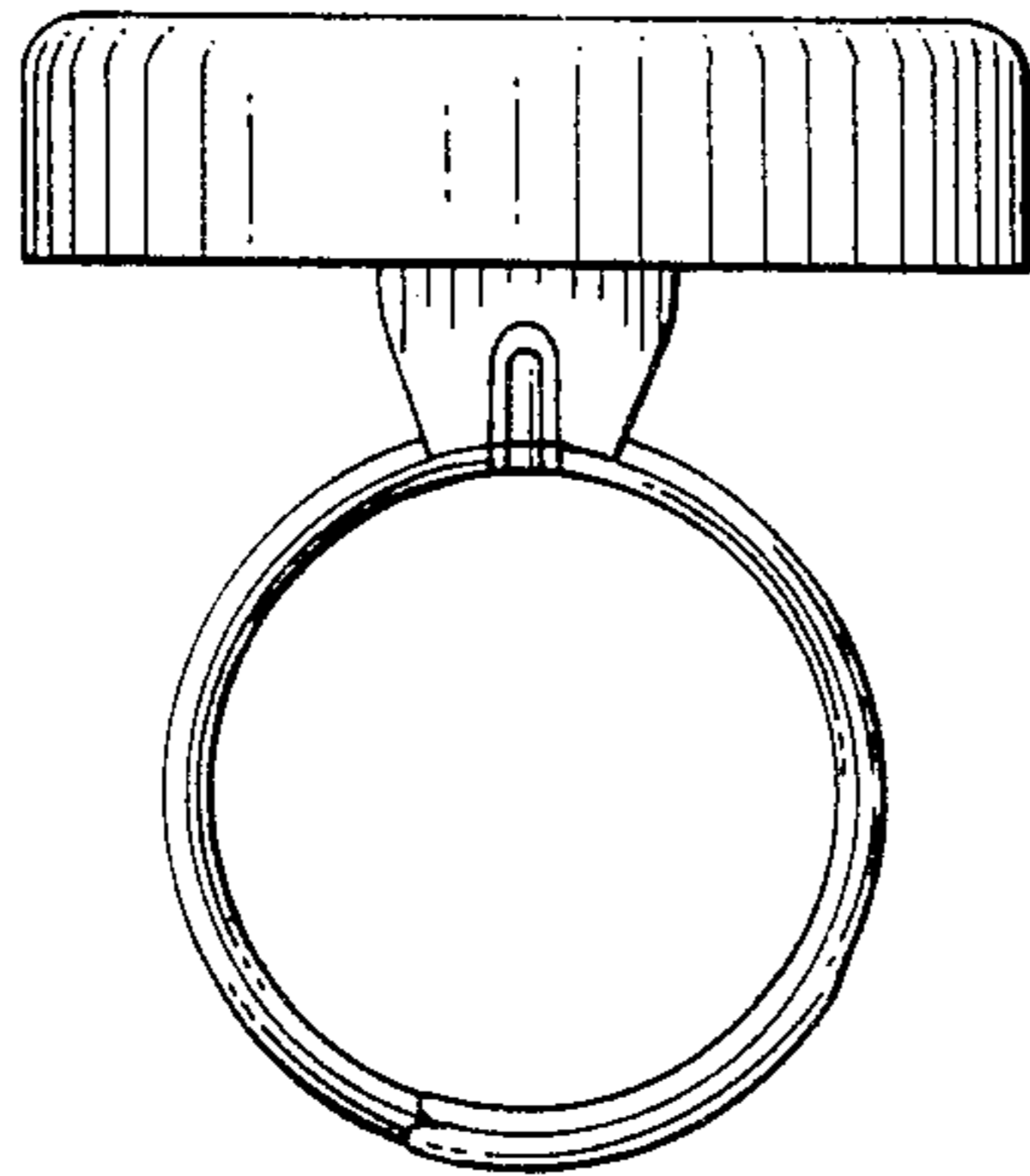


Fig. 8

