

[54] **COMBINED RECEPTACLE CAP AND CAPSULE PIERCING DEVICE THEREFOR**

[75] **Inventors: Thomas A. Cafiero, Brooklyn, N.Y.; Florence Borkan, Morristown, N.J.**

[73] **Assignee: Pharmacaps, Inc., Elizabeth, N.J.**

[\*\*] **Term: 14 Years**

[21] **Appl. No.: 661,825**

[22] **Filed: Oct. 17, 1984**

**Related U.S. Application Data**

[62] **Division of Ser. No. 415,976, Sep. 8, 1982, Pat. No. Des. 278,034.**

[52] **U.S. Cl. .... D9/437; D9/454**

[58] **Field of Search .... D9/434-437, D9/454, 452, 453, 449; 215/228, 250, 257; 220/278; D8/41**

[56] **References Cited**

**U.S. PATENT DOCUMENTS**

D. 261,619 11/1981 Borkan ..... D9/437  
2,578,979 12/1951 McLean ..... 220/278 X

2,608,972 9/1952 Chrigström ..... 215/228 X  
3,810,558 5/1974 Crisp et al. .... 215/250 X

**FOREIGN PATENT DOCUMENTS**

810996 4/1969 Canada ..... 220/278  
480992 12/1969 Switzerland ..... 215/250

*Primary Examiner*—Bernard Ansher  
*Assistant Examiner*—Linda Titolo  
*Attorney, Agent, or Firm*—Kenyon & Kenyon

[57] **CLAIM**

The ornamental design for a combined receptacle cap and capsule piercing device therefor, substantially as shown and described.

**DESCRIPTION**

FIG. 1 is a top perspective view of a combined receptacle cap and capsule piercing device therefor showing our new design;  
FIG. 2 is an exploded top perspective view thereof;  
FIG. 3 is a side elevational view thereof;  
FIG. 4 is a top plan view thereof;  
FIG. 5 is a bottom plan view thereof; and  
FIG. 6 is a cross sectional view thereof taken on line 6—6 of FIG. 2.

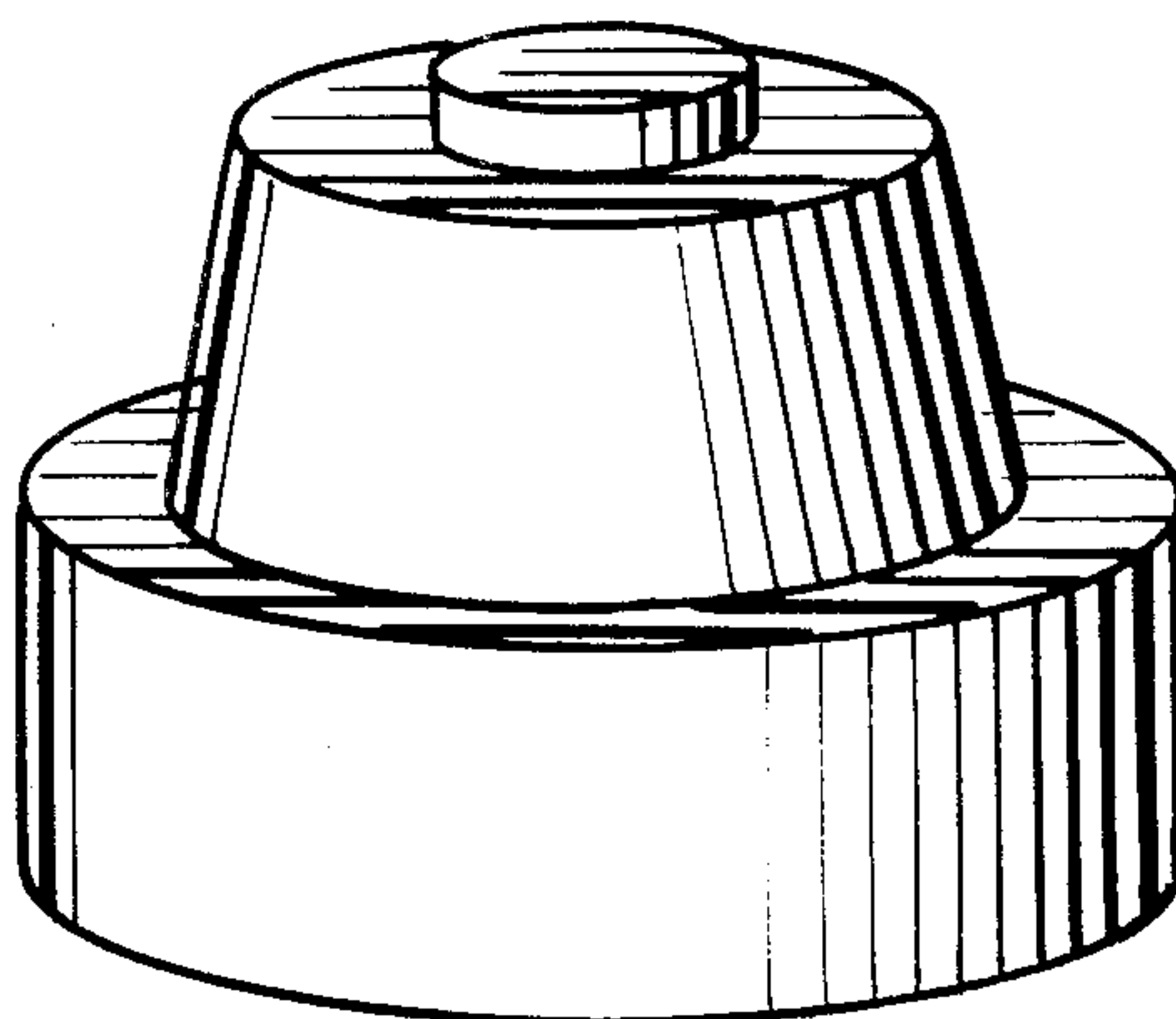


Fig. 1.

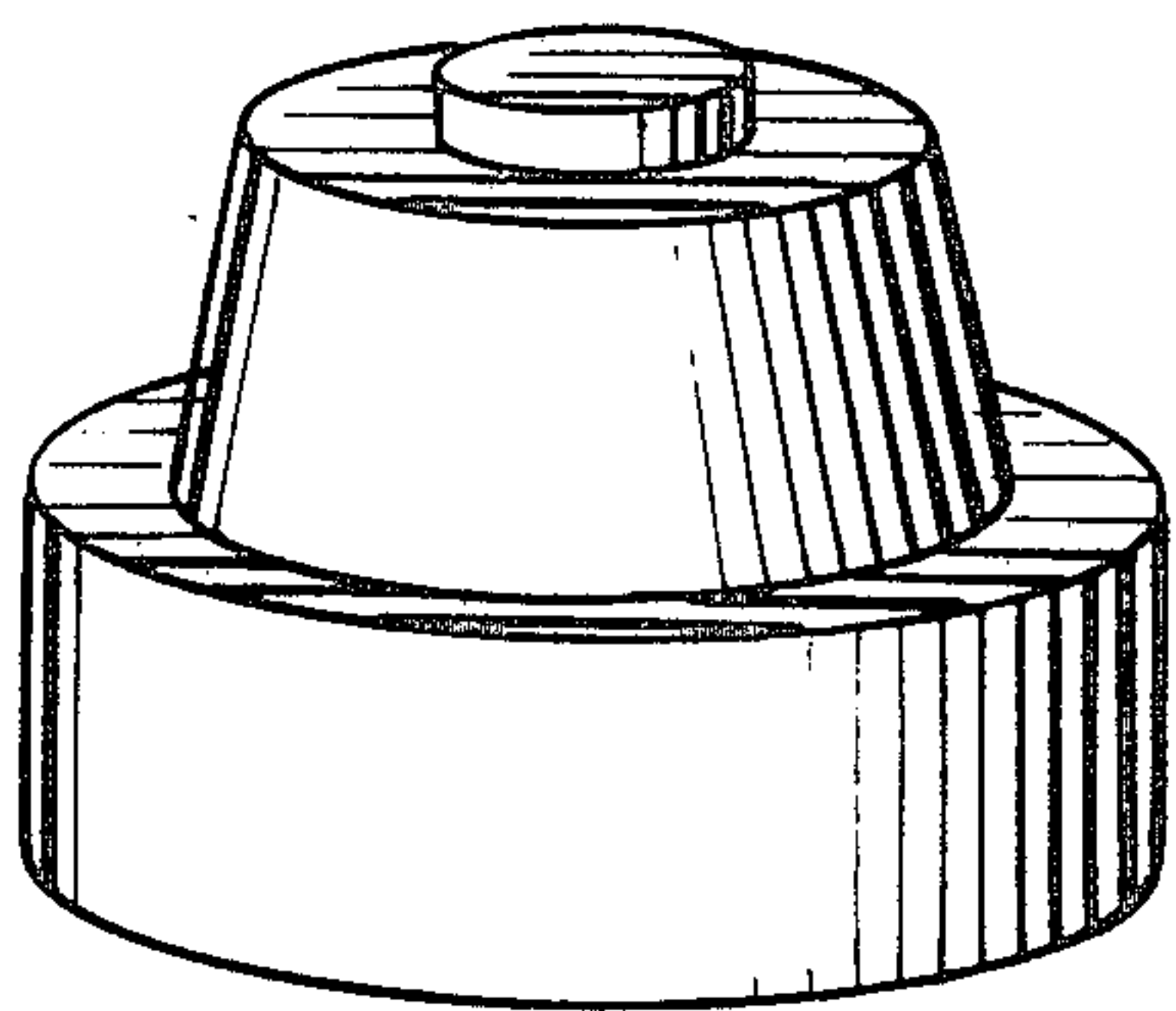


Fig. 2.

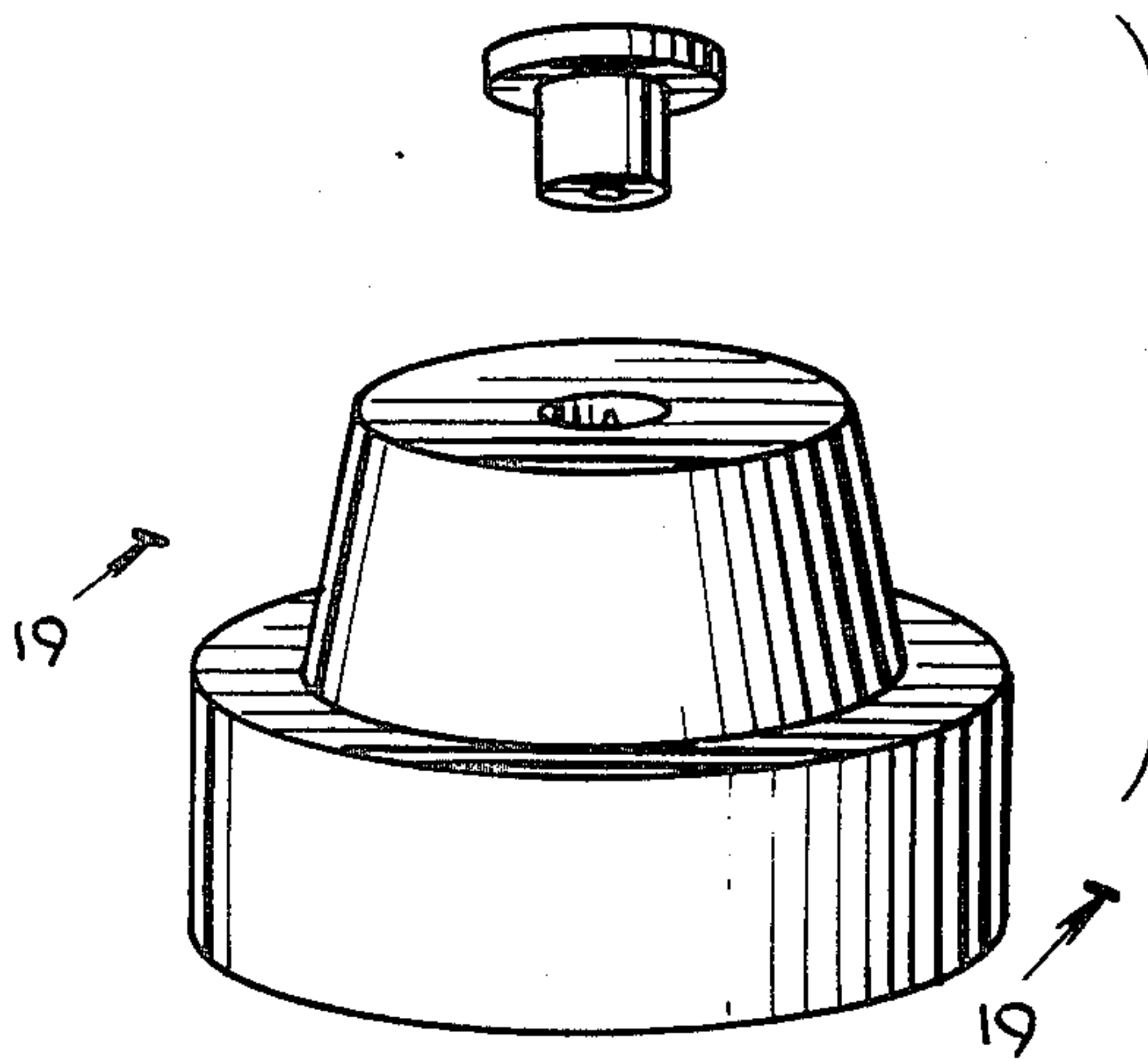


Fig. 3.

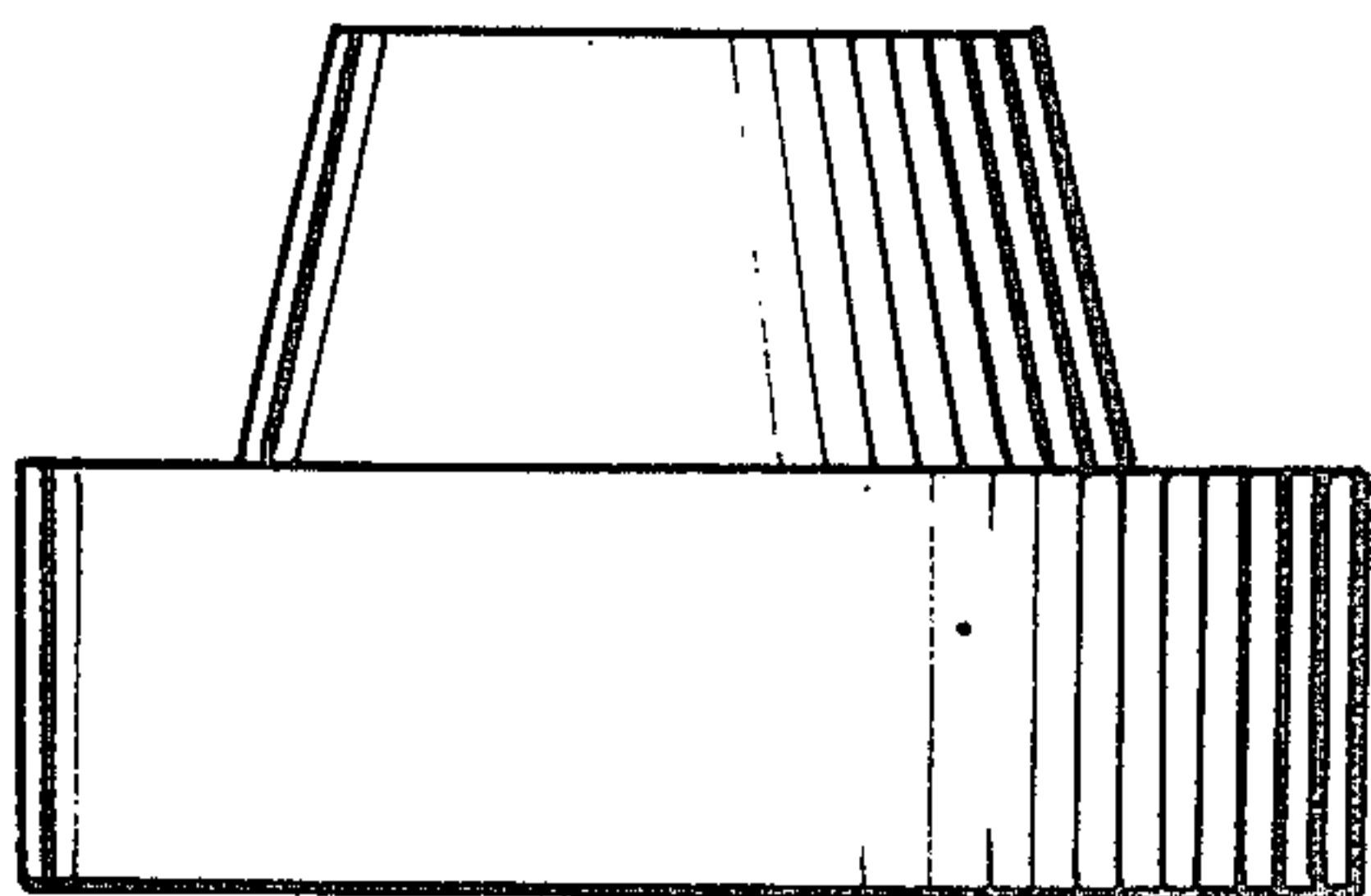


Fig. 4.

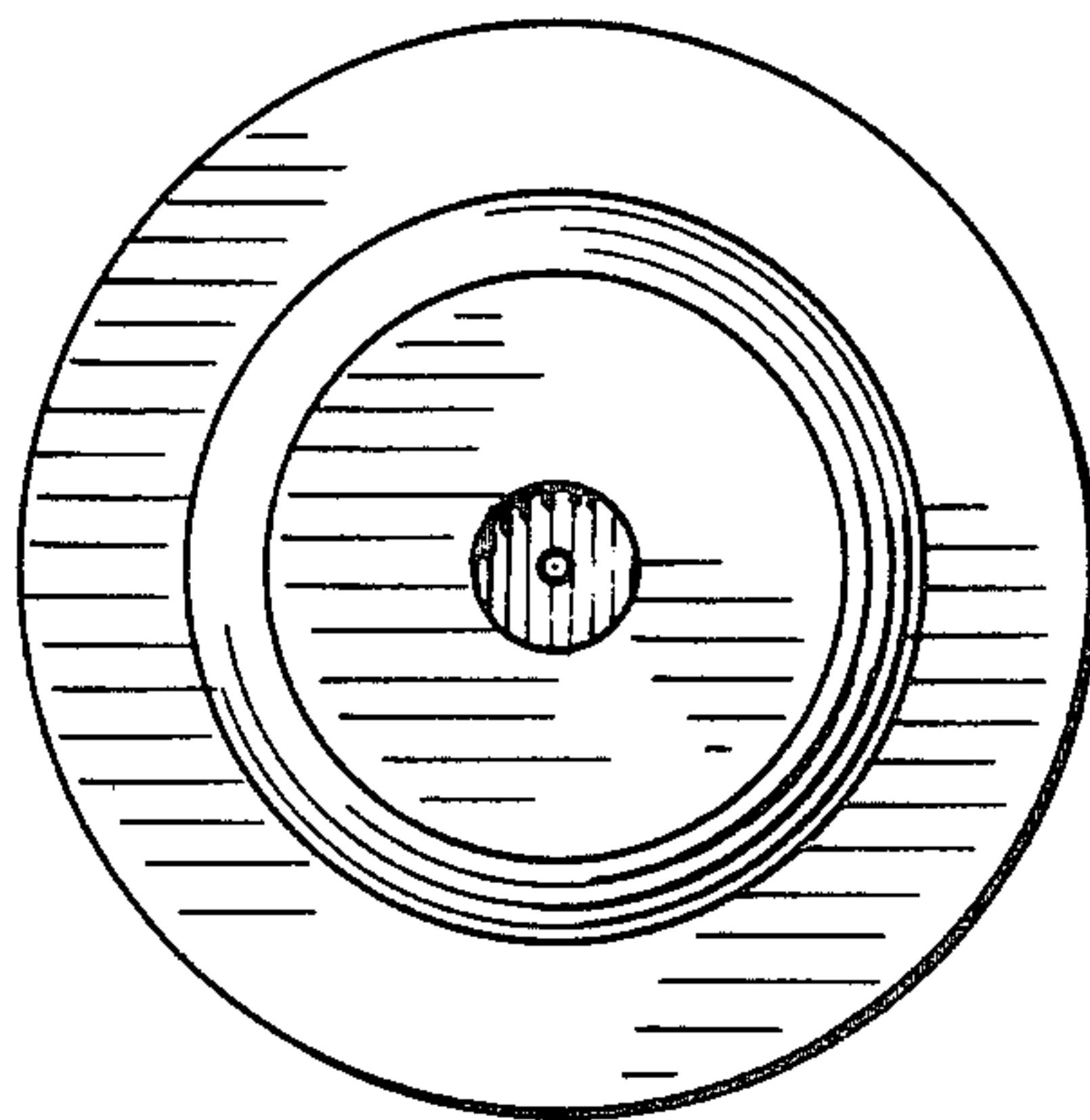


Fig. 6.

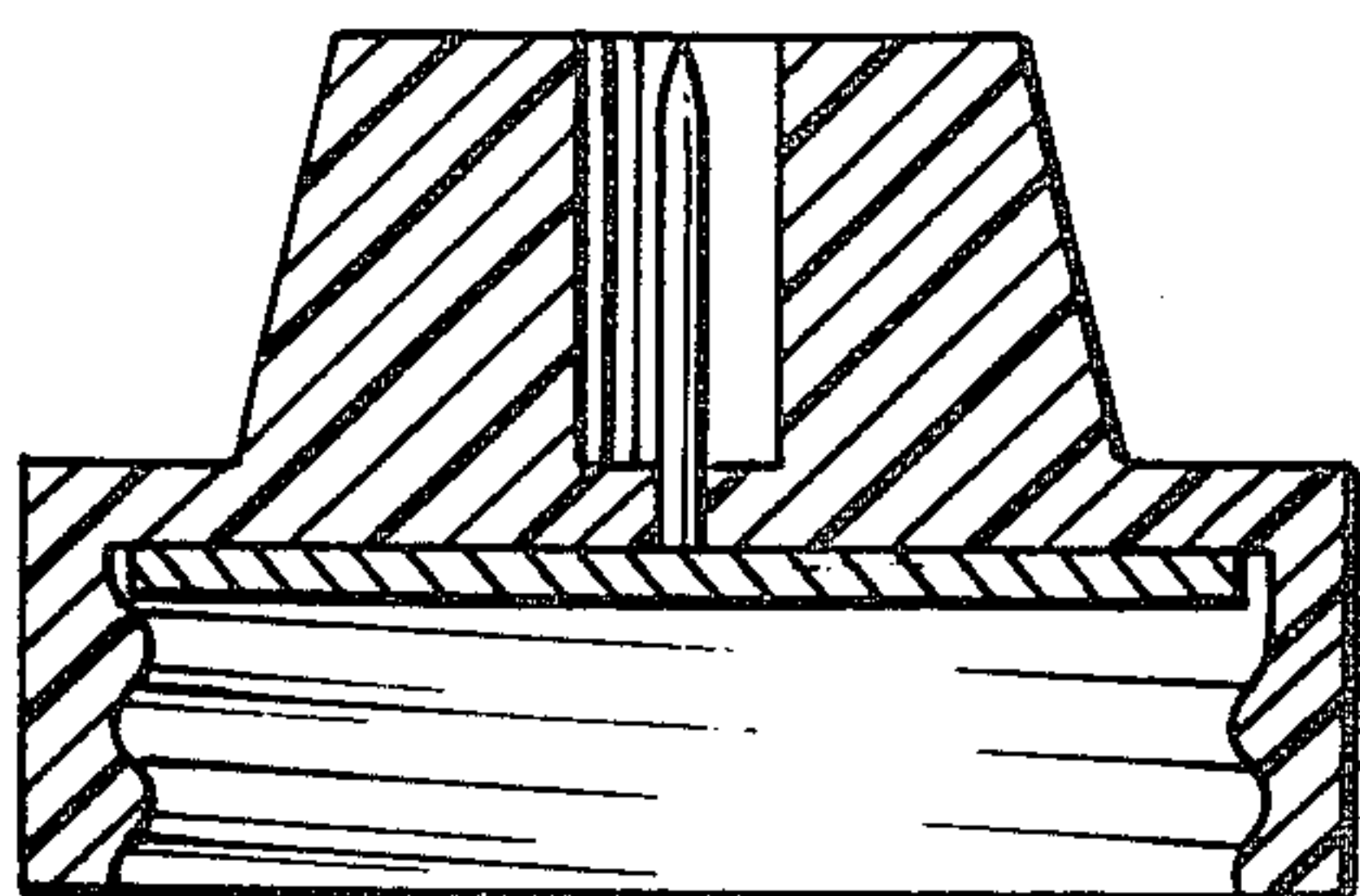


Fig. 5.

