

[54] COMBINED RECEPTACLE CAP AND CAPSULE PIERCING DEVICE THEREFOR

[75] Inventors: Florence Borkan, Morristown, N.J.; Thomas A. Cafiero, Brooklyn, N.Y.

[73] Assignee: Pharmacaps, Inc., Elizabeth, N.J.

[\*\*] Term: 14 Years

[21] Appl. No.: 661,824

[22] Filed: Oct. 17, 1984

Related U.S. Application Data

[62] Division of Ser. No. 415,975, Sep. 8, 1982, Pat. No. Des. 278,033.

[52] U.S. Cl. .... D9/437; D9/454

[58] Field of Search ..... D9/434-437, D9/454, 452, 453, 449; 215/228, 250, 257; 220/278; D8/41

[56] References Cited

U.S. PATENT DOCUMENTS

- D. 261,619 11/1981 Borkan ..... D9/437
- 2,578,979 12/1951 McLean ..... 220/278 X
- 2,608,972 9/1952 Chrigström ..... 215/228 X

3,810,558 5/1974 Crisp et al. .... 215/250 X

FOREIGN PATENT DOCUMENTS

- 810996 4/1969 Canada ..... 220/278
- 480992 12/1969 Switzerland ..... 215/250

Primary Examiner—Bernard Ansher

Assistant Examiner—Linda Titolo

[57] CLAIM

The ornamental design for a combined receptacle cap and capsule piercing device therefor, substantially as shown and described.

DESCRIPTION

FIG. 1 is a bottom perspective view of a combined receptacle cap and capsule piercing device therefor, showing our new design;

FIG. 2 is an exploded bottom perspective view thereof;

FIG. 3 is a side elevational view thereof;

FIG. 4 is a top plan view thereof;

FIG. 5 is a bottom plan view thereof;

FIG. 6 is a cross sectional view thereof taken on line 6—6 of FIG. 1; and

FIG. 7 is a cross sectional view thereof taken on line 7—7 of FIG. 2.

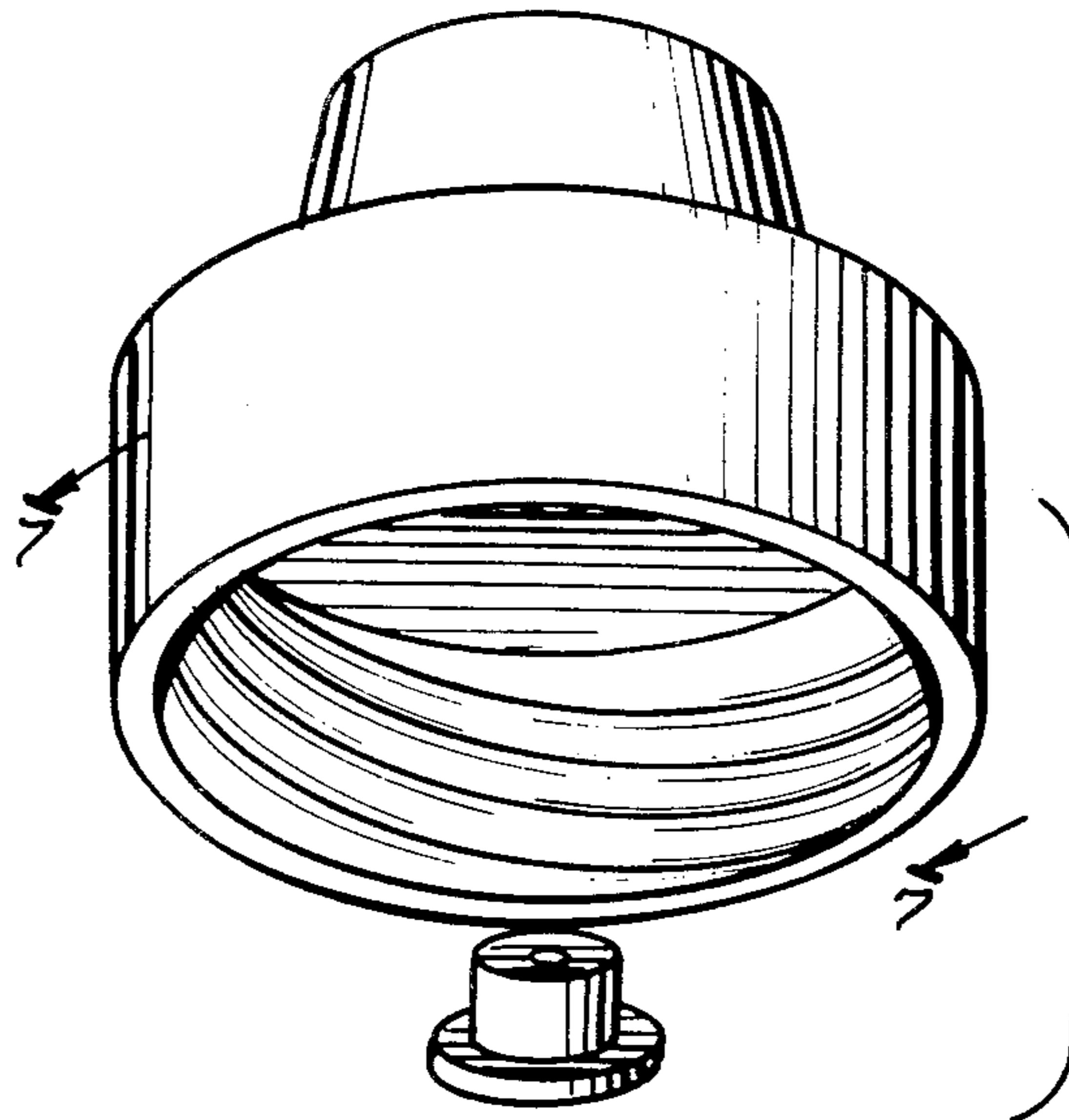


Fig. 1

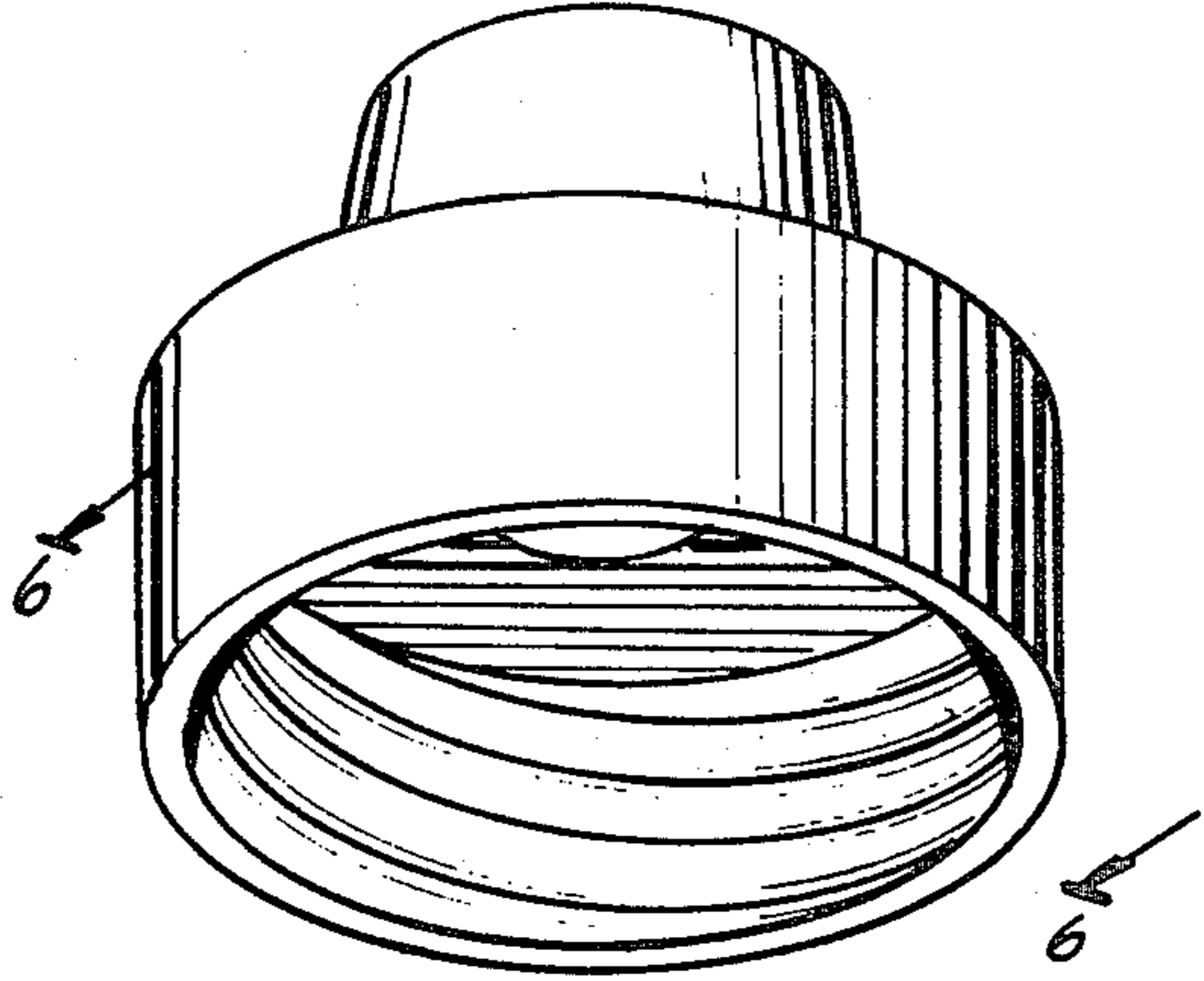


Fig. 2.

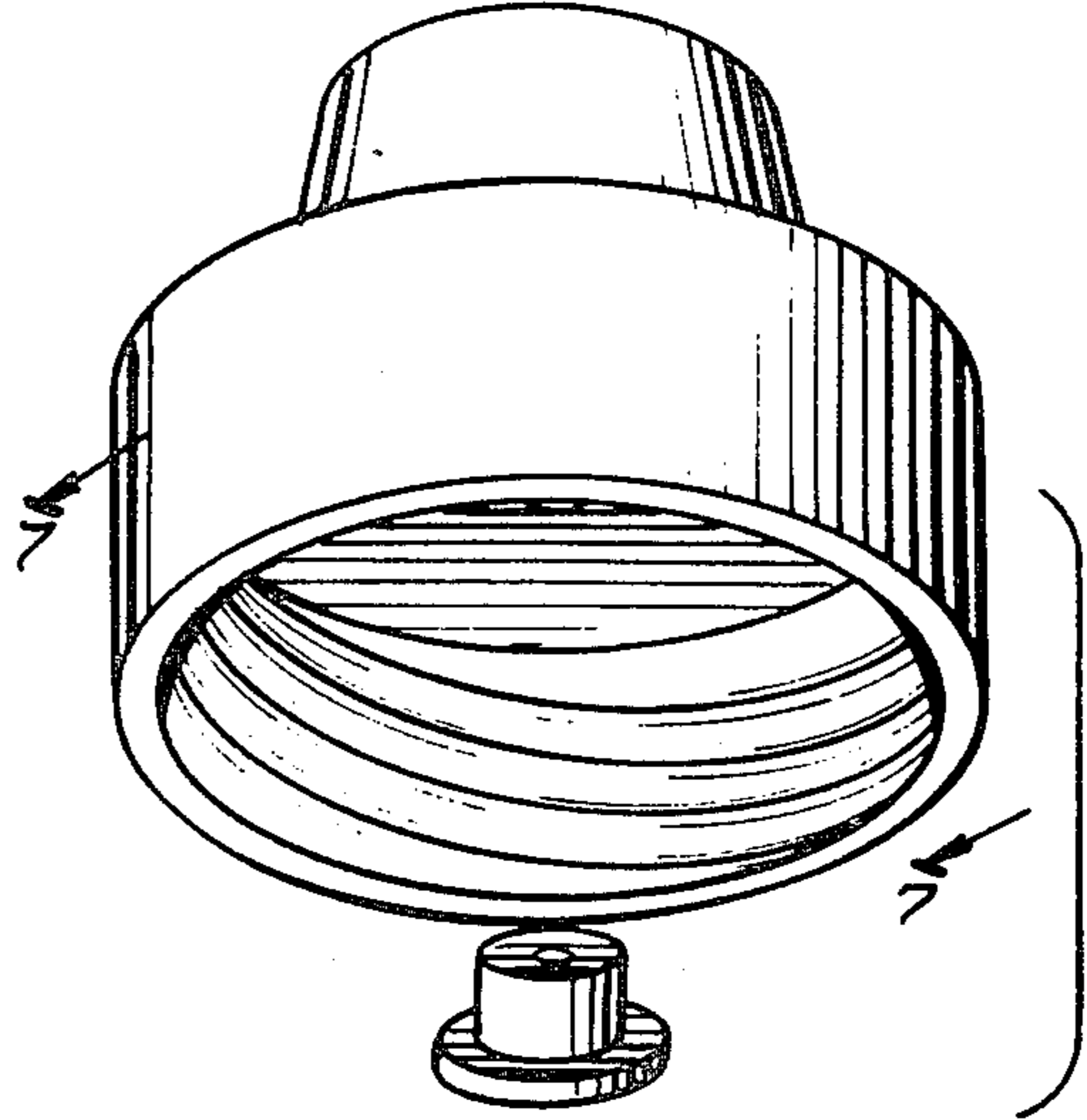


Fig. 3

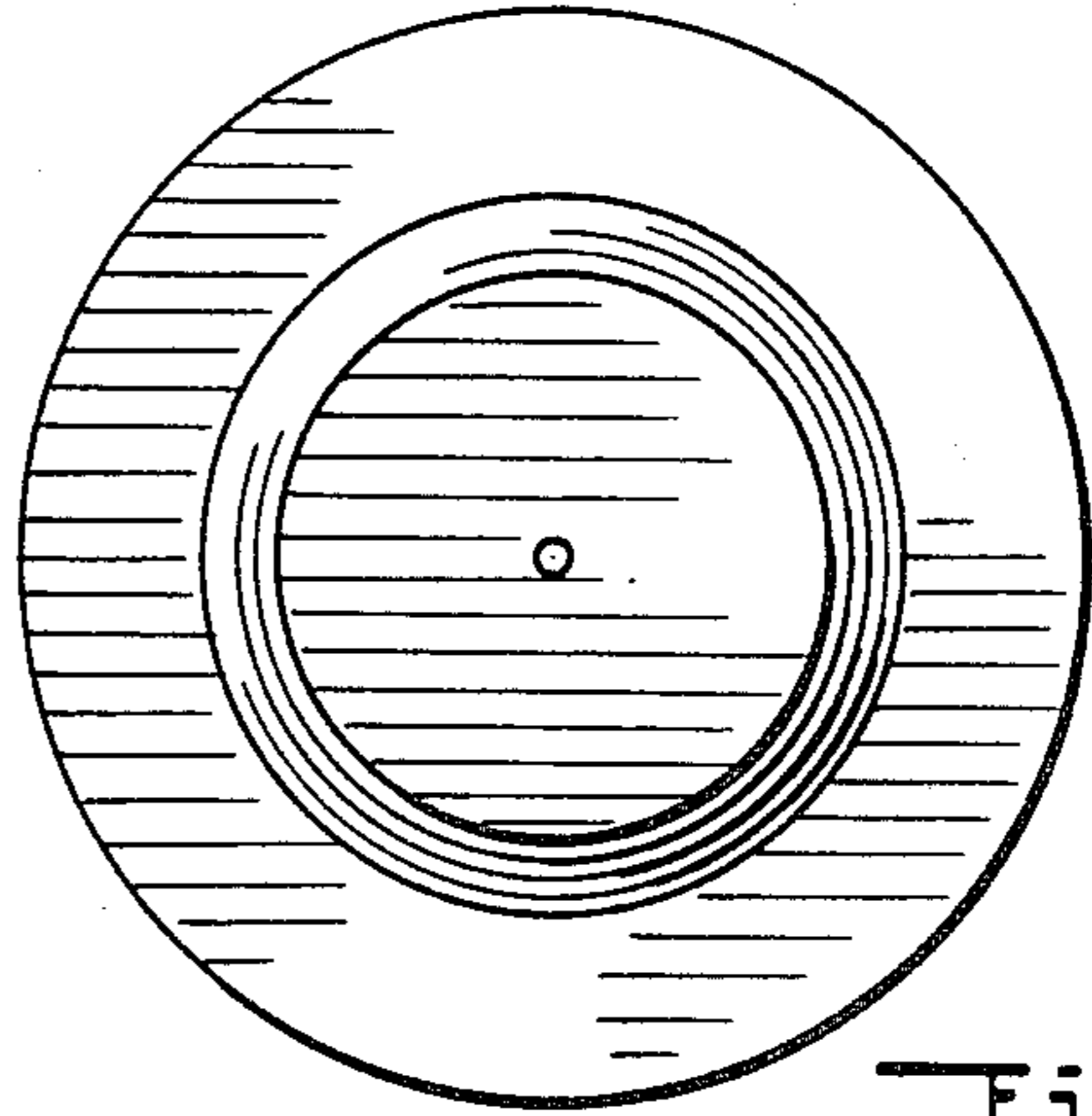
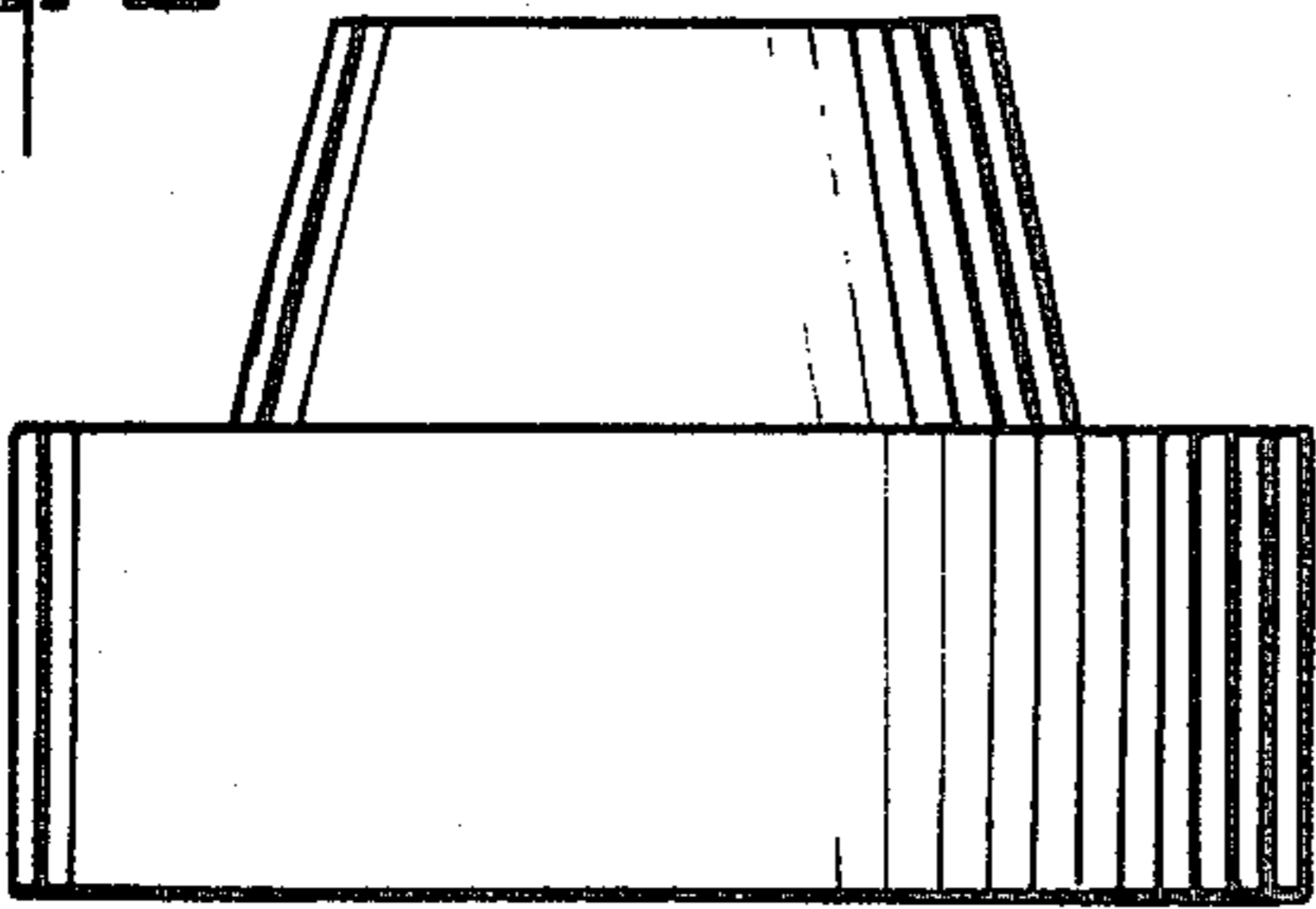


Fig. 4

Fig. 6

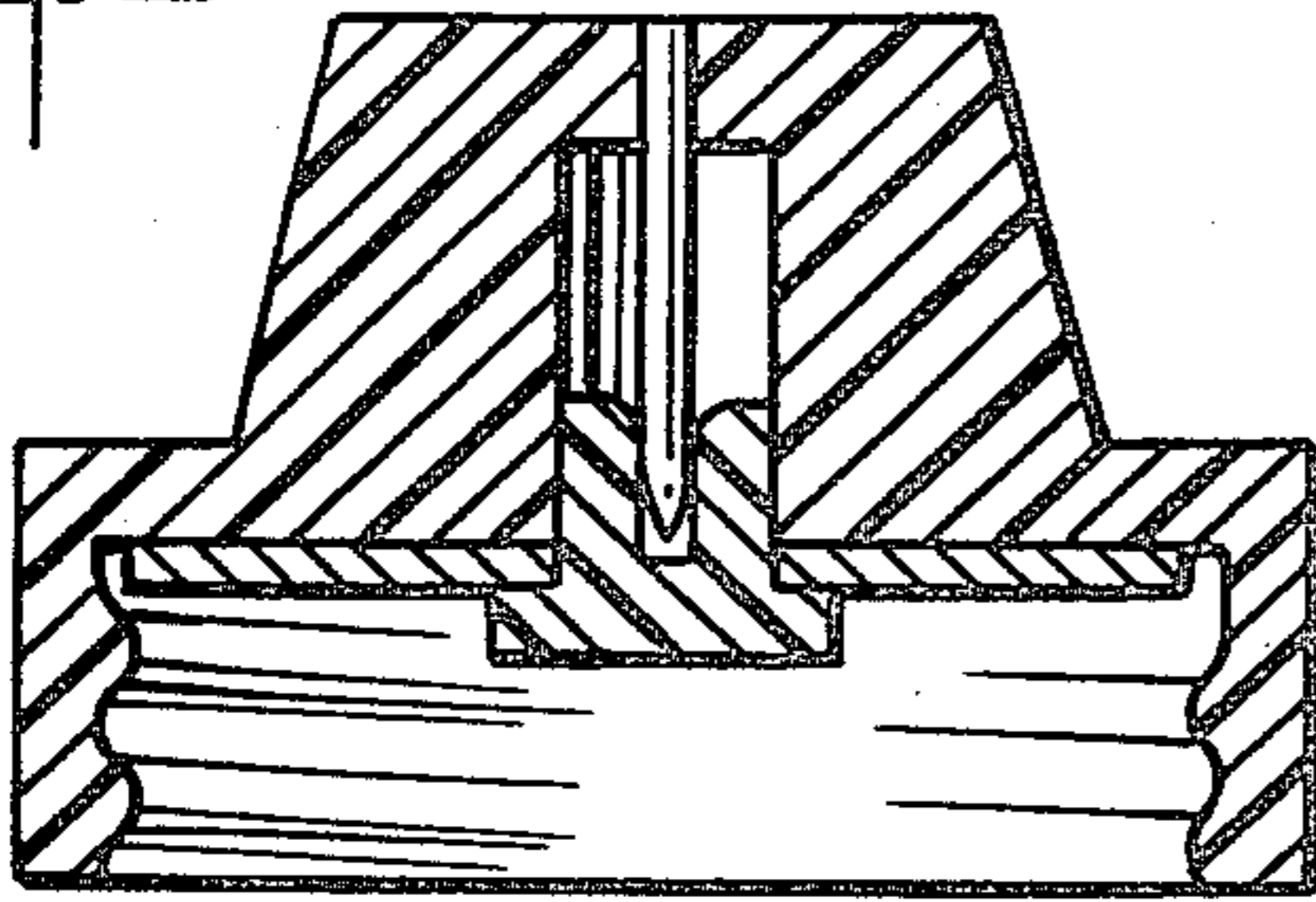


Fig. 7

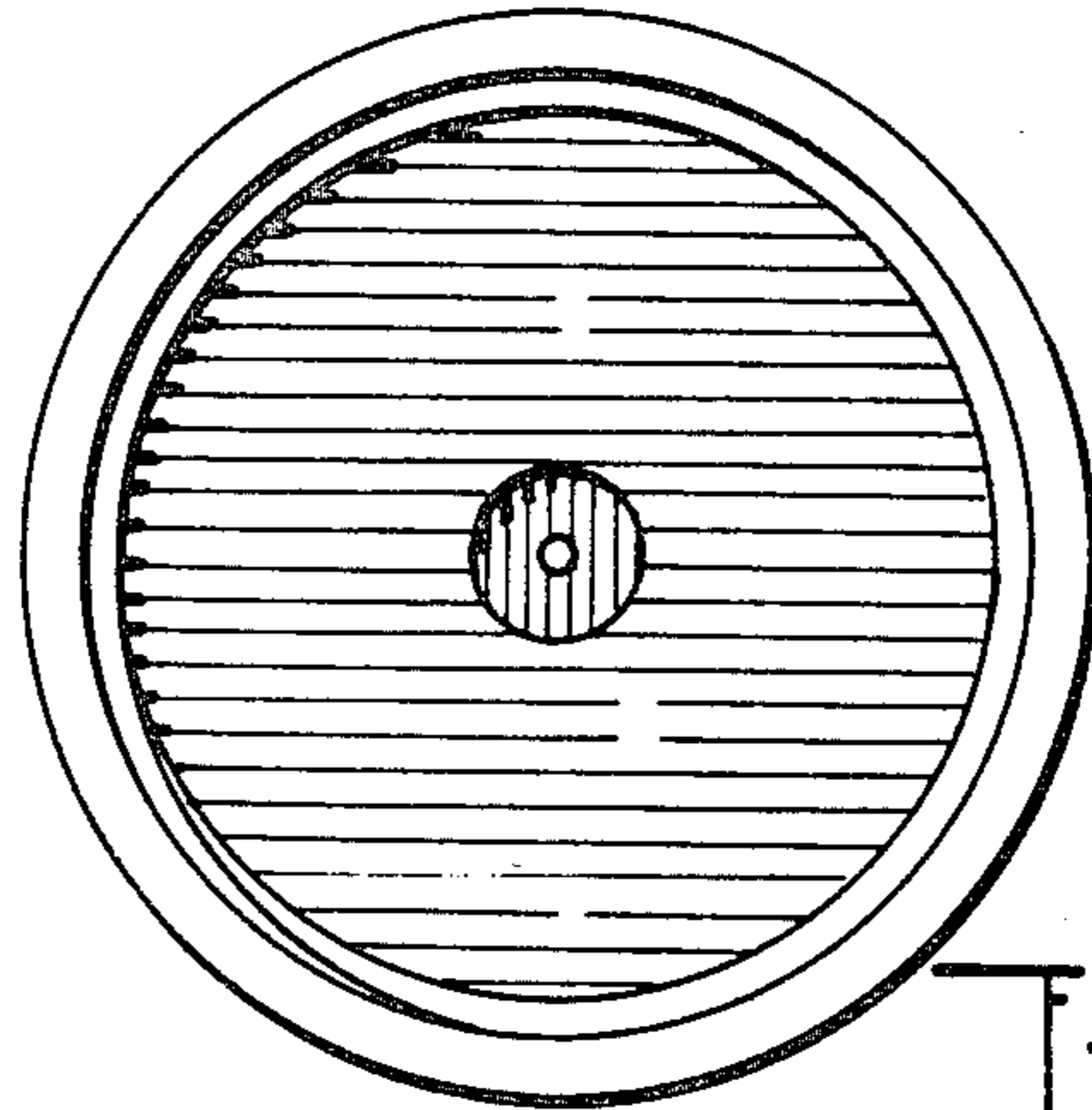
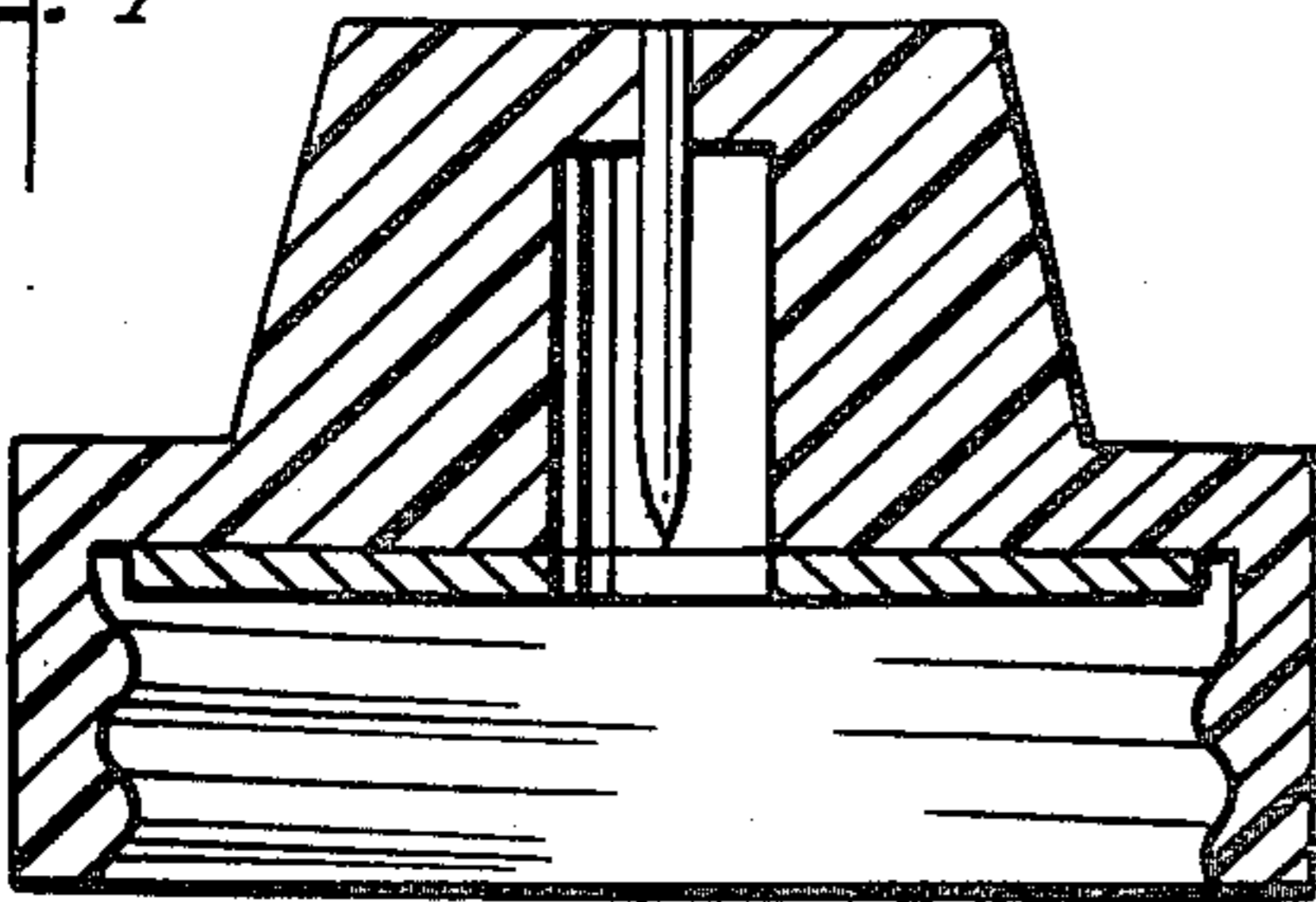


Fig. 5.