

[54] CONTAINER CLOSURE

[76] Inventor: George E. MacEwen, c/o Sealright Co., Inc., 605 W. 47th St., Kansas City, Mo. 64112

[\*\*] Term: 14 Years

[21] Appl. No.: 447,542

[22] Filed: Dec. 7, 1982

[52] U.S. Cl. .... D9/435

[58] Field of Search ..... D9/435, 454; D7/40, D7/391, 392; D12/204, 207; 206/508; 215/200, 316; 220/352, 356, 306; 229/43, 7 R

[56] References Cited

U.S. PATENT DOCUMENTS

D. 256,761	9/1980	Martin et al. ....	D7/354
2,416,693	3/1947	Hills .....	220/352 X
2,443,984	6/1948	Hills .....	220/352
3,362,575	1/1968	Fotos .....	229/43
3,722,784	3/1973	Harper .....	229/43
4,040,561	8/1977	Philippon .....	229/43
4,360,119	11/1982	Olivo .....	206/508 X

FOREIGN PATENT DOCUMENTS

585256	2/1947	United Kingdom .....	220/24 R
--------	--------	----------------------	----------

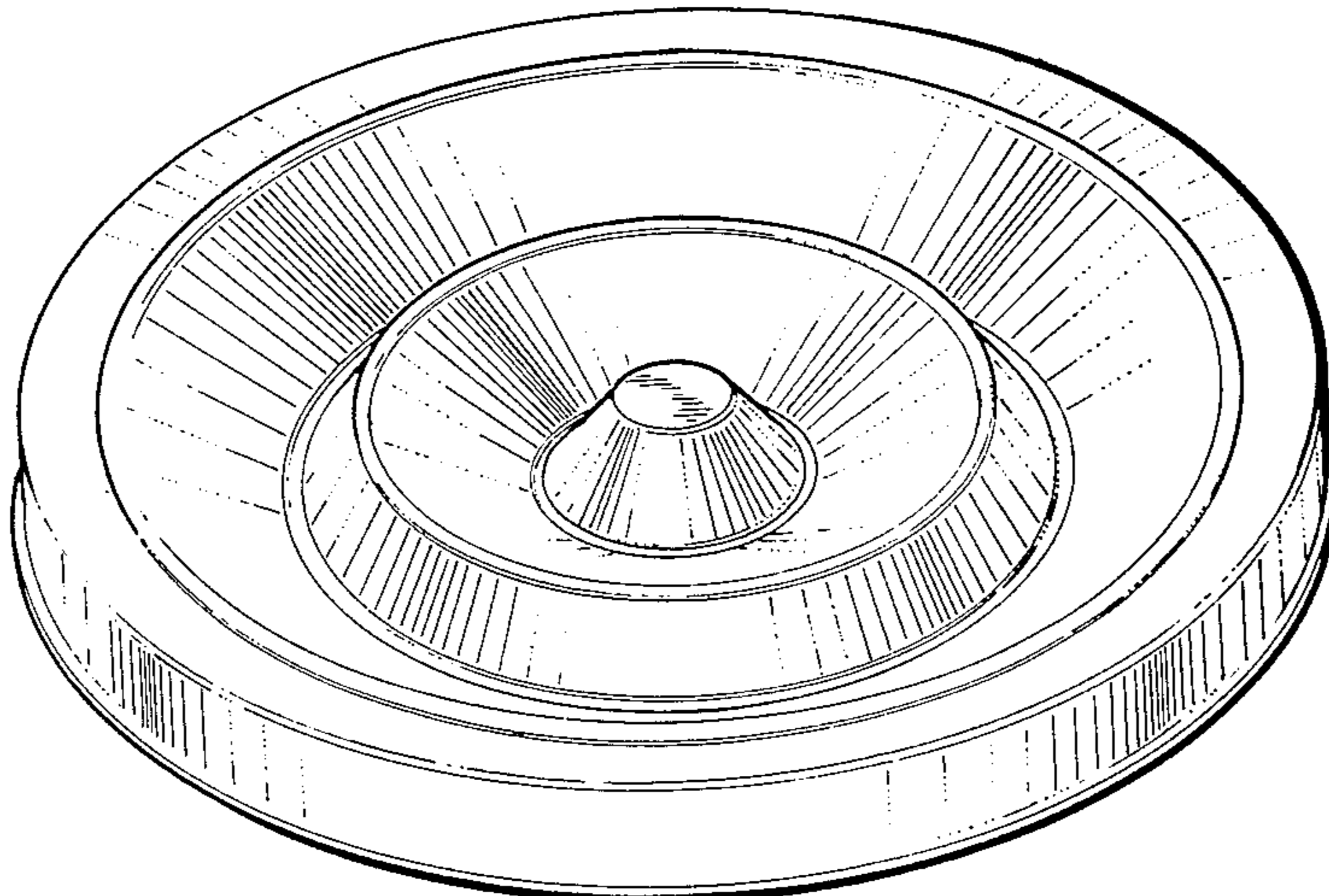
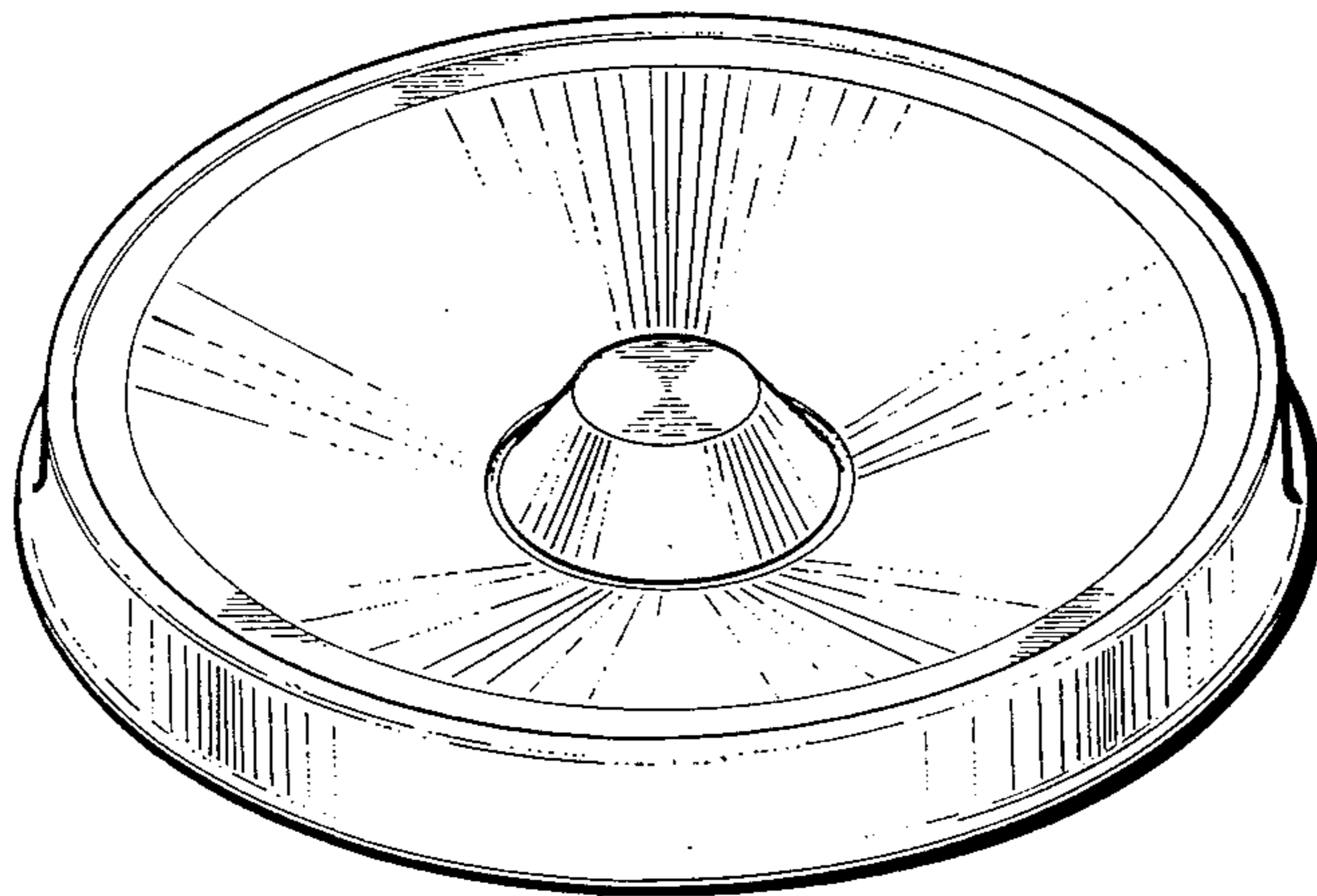
Primary Examiner—Bernard Ansher  
Assistant Examiner—Linda M. Titolo  
Attorney, Agent, or Firm—Kokjer, Kircher, Bradley, Wharton, Bowman & Johnson

[57] CLAIM

The ornamental design for a container closure, as shown.

DESCRIPTION

FIG. 1 is a top perspective view of a container closure showing my new design;  
 FIG. 2 is a bottom perspective view thereof;  
 FIG. 3 is a top plan view thereof;  
 FIG. 4 is a cross sectional view thereof taken along line 4—4 of FIG. 3;  
 FIG. 5 is a front elevational view thereof;  
 FIG. 6 is a bottom plan view thereof;  
 FIG. 7 is a top perspective view of a second embodiment of a container closure showing my new design;  
 FIG. 8 is a bottom perspective view thereof;  
 FIG. 9 is a top plan view thereof;  
 FIG. 10 is a cross sectional view taken along line 10—10 of FIG. 9;  
 FIG. 11 is a front elevational view thereof; and  
 FIG. 12 is a bottom plan view thereof.



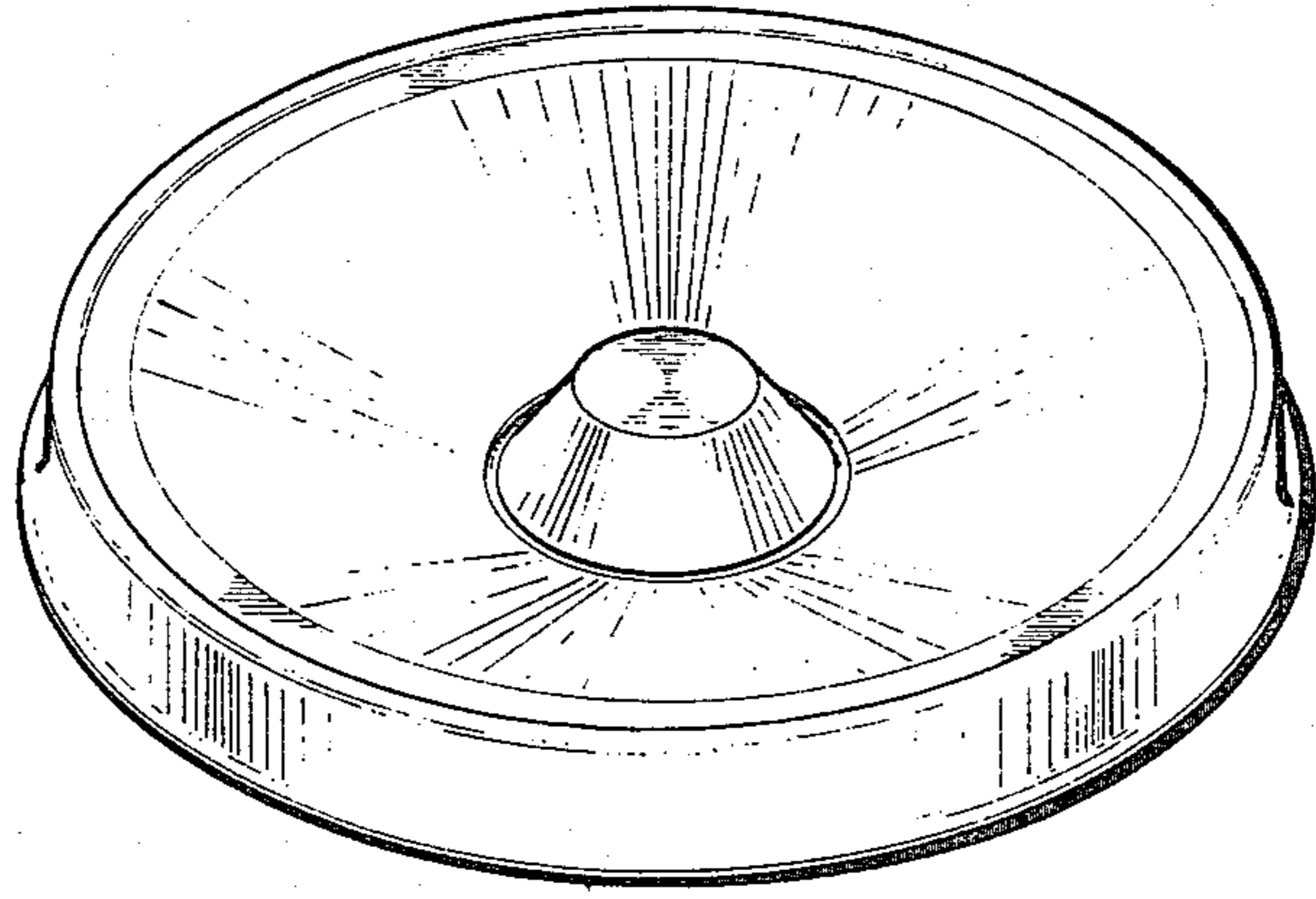


FIG. 1

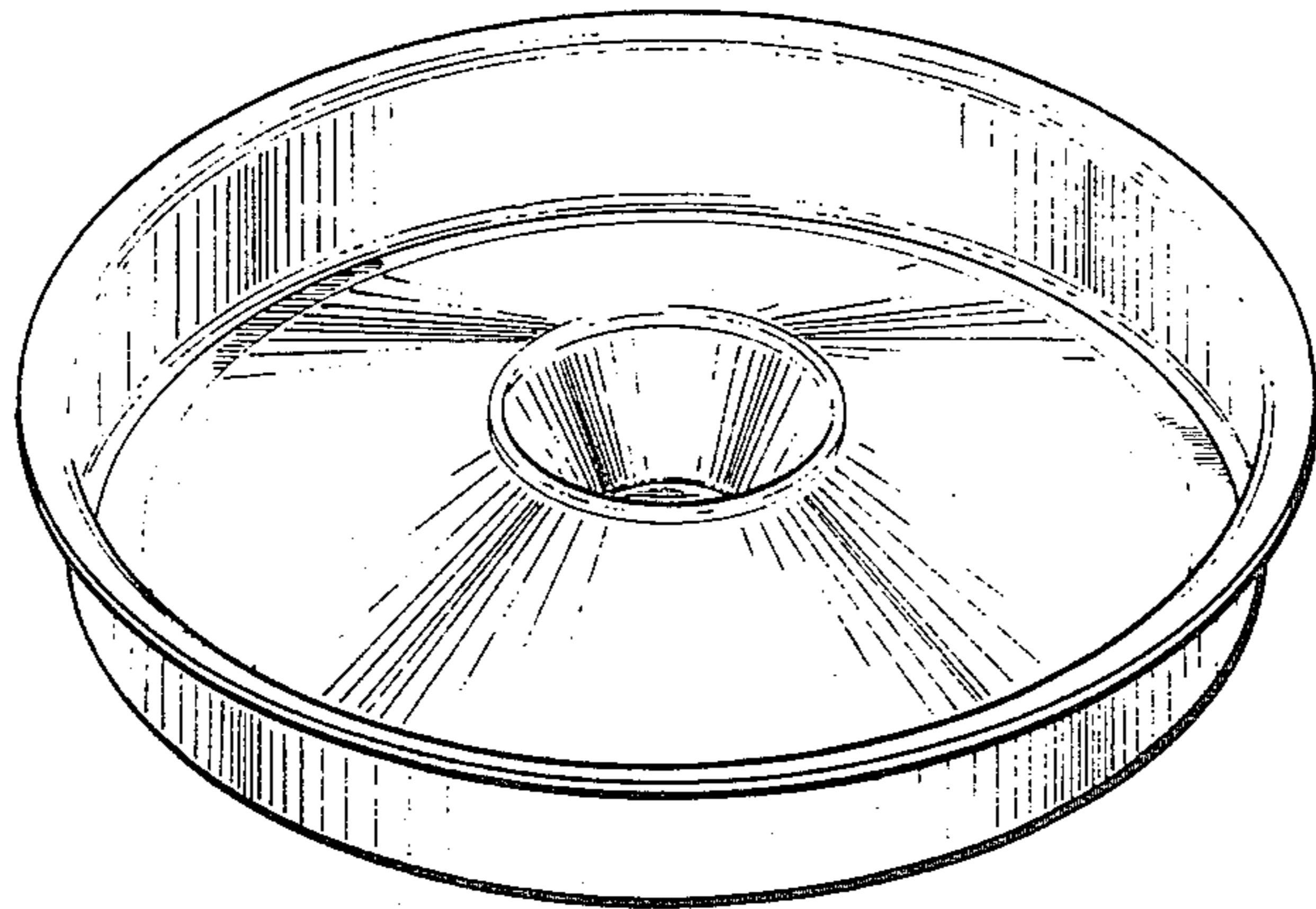


FIG. 2

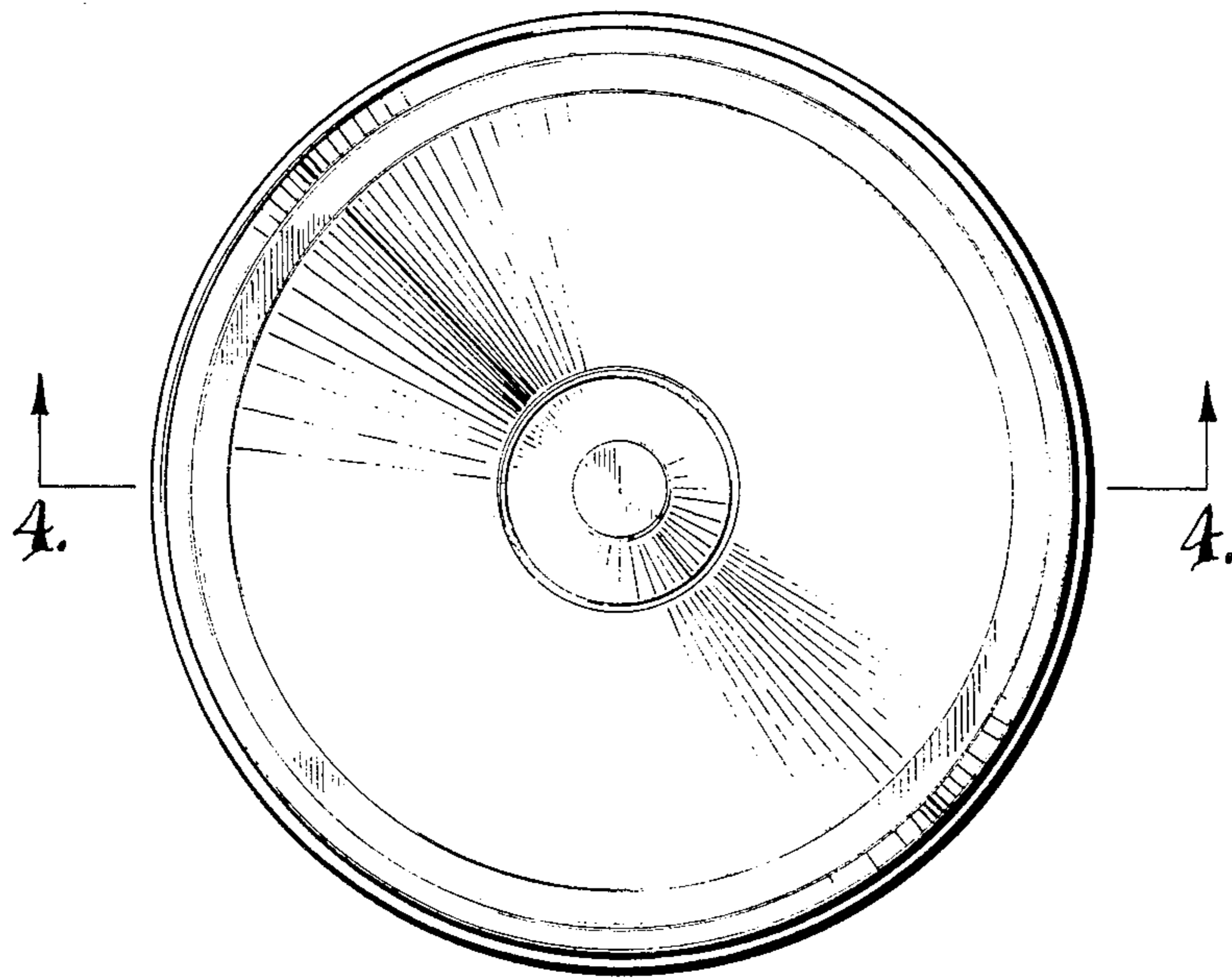


FIG. 3



FIG. 4

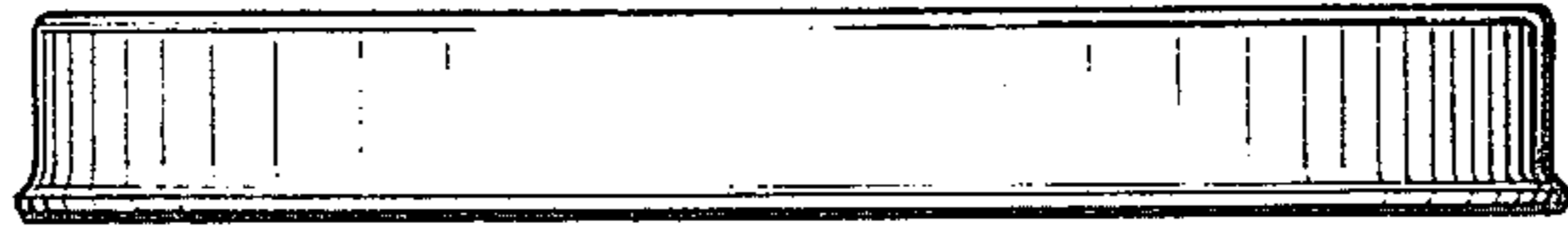


FIG. 5

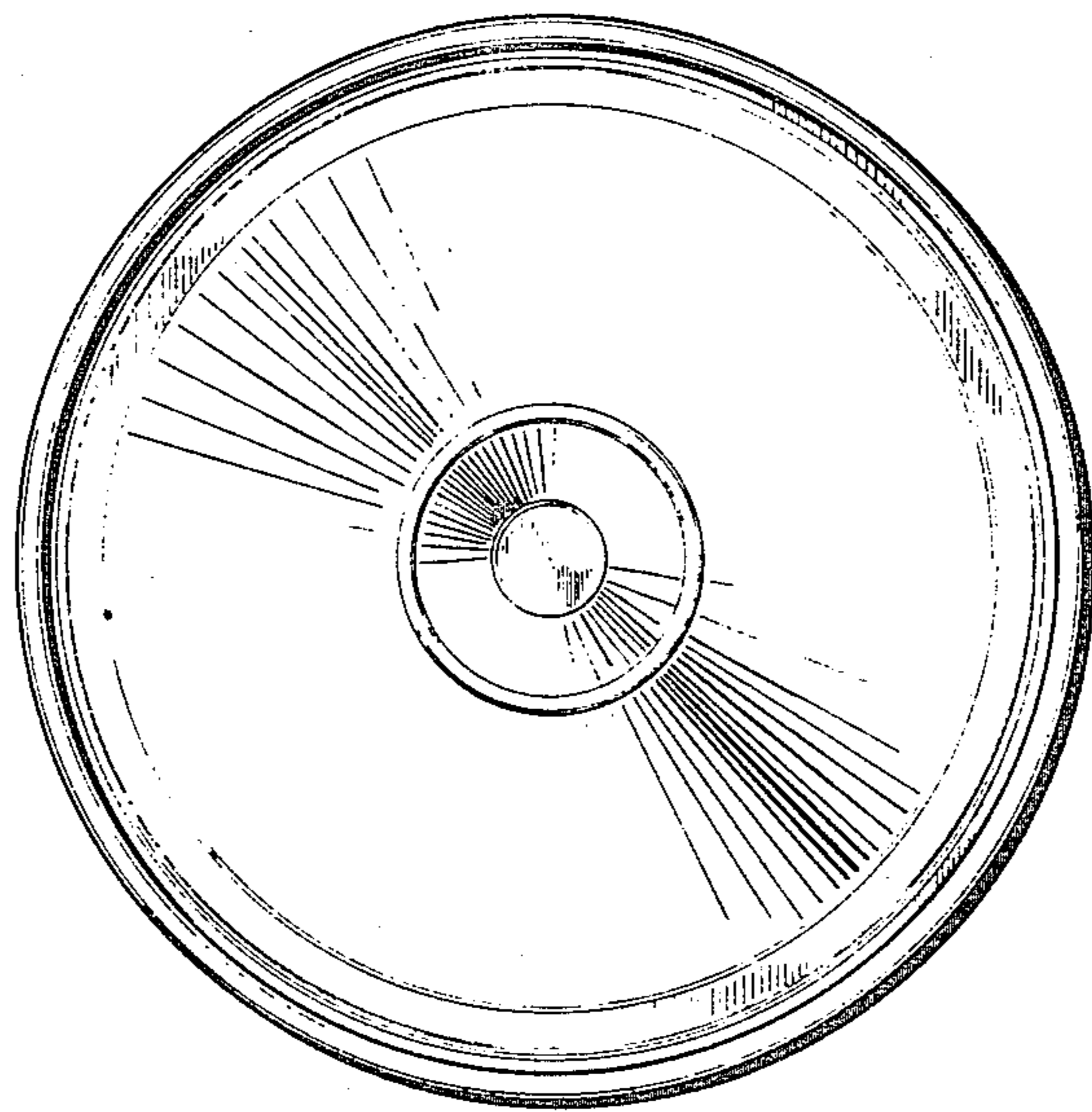


FIG. 6

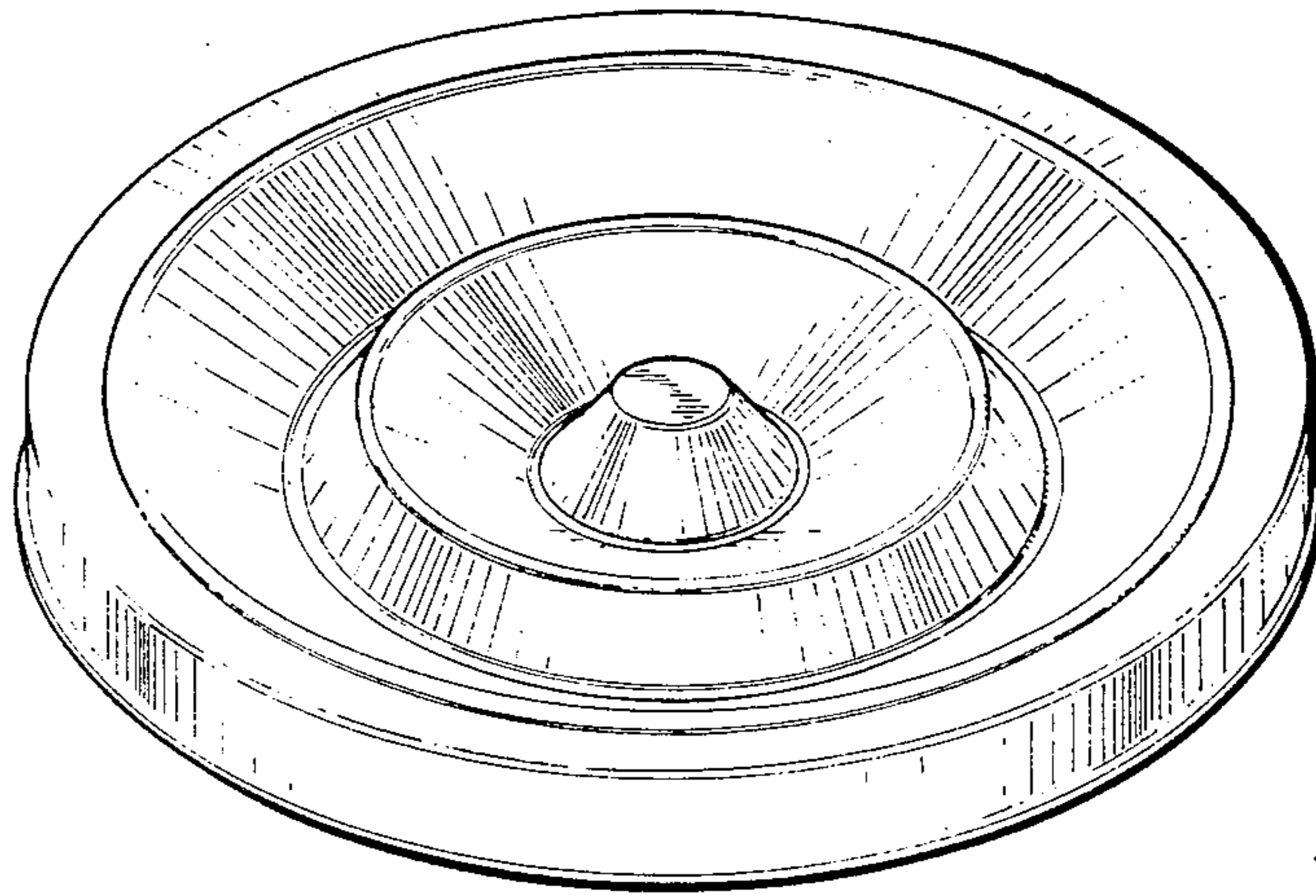


FIG. 7

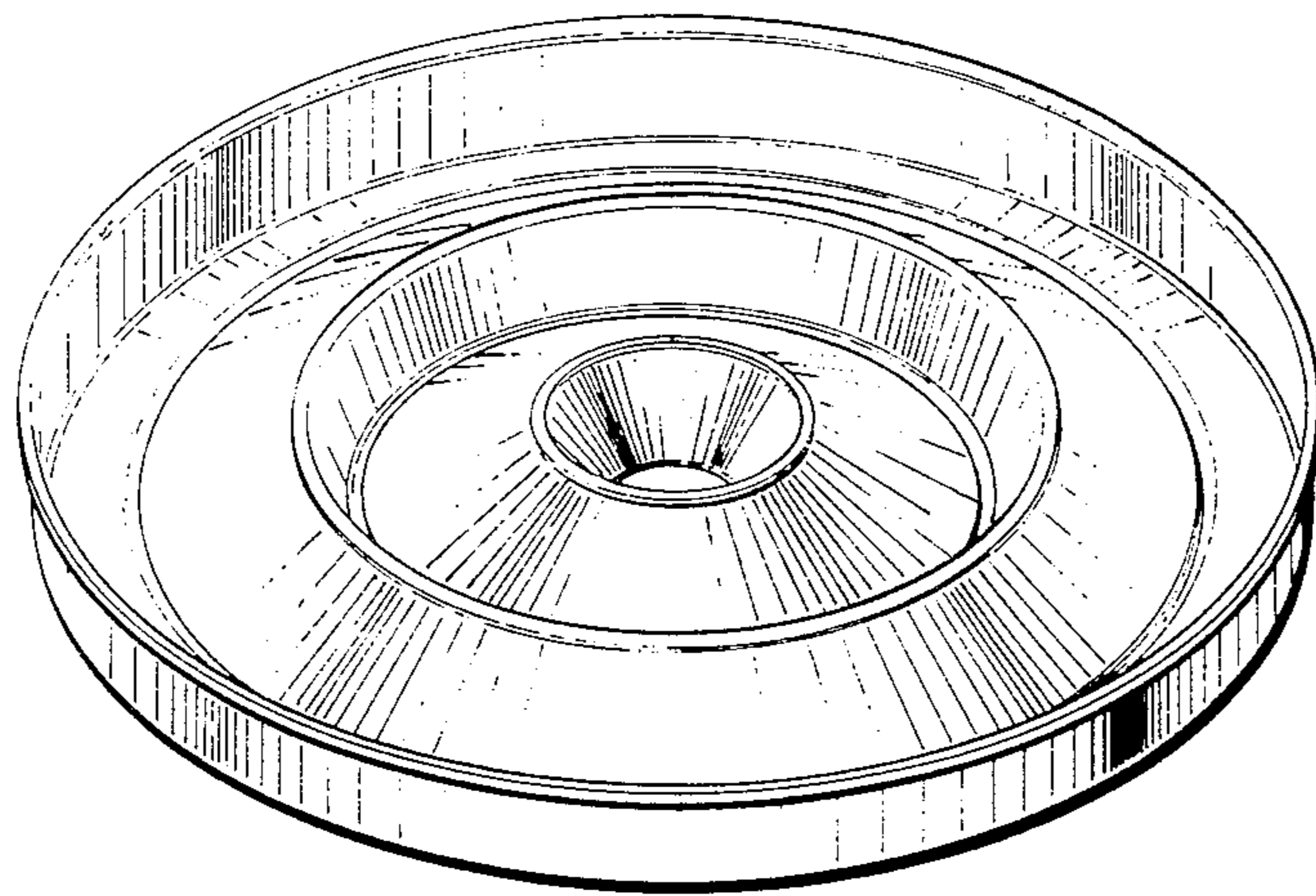


FIG. 8

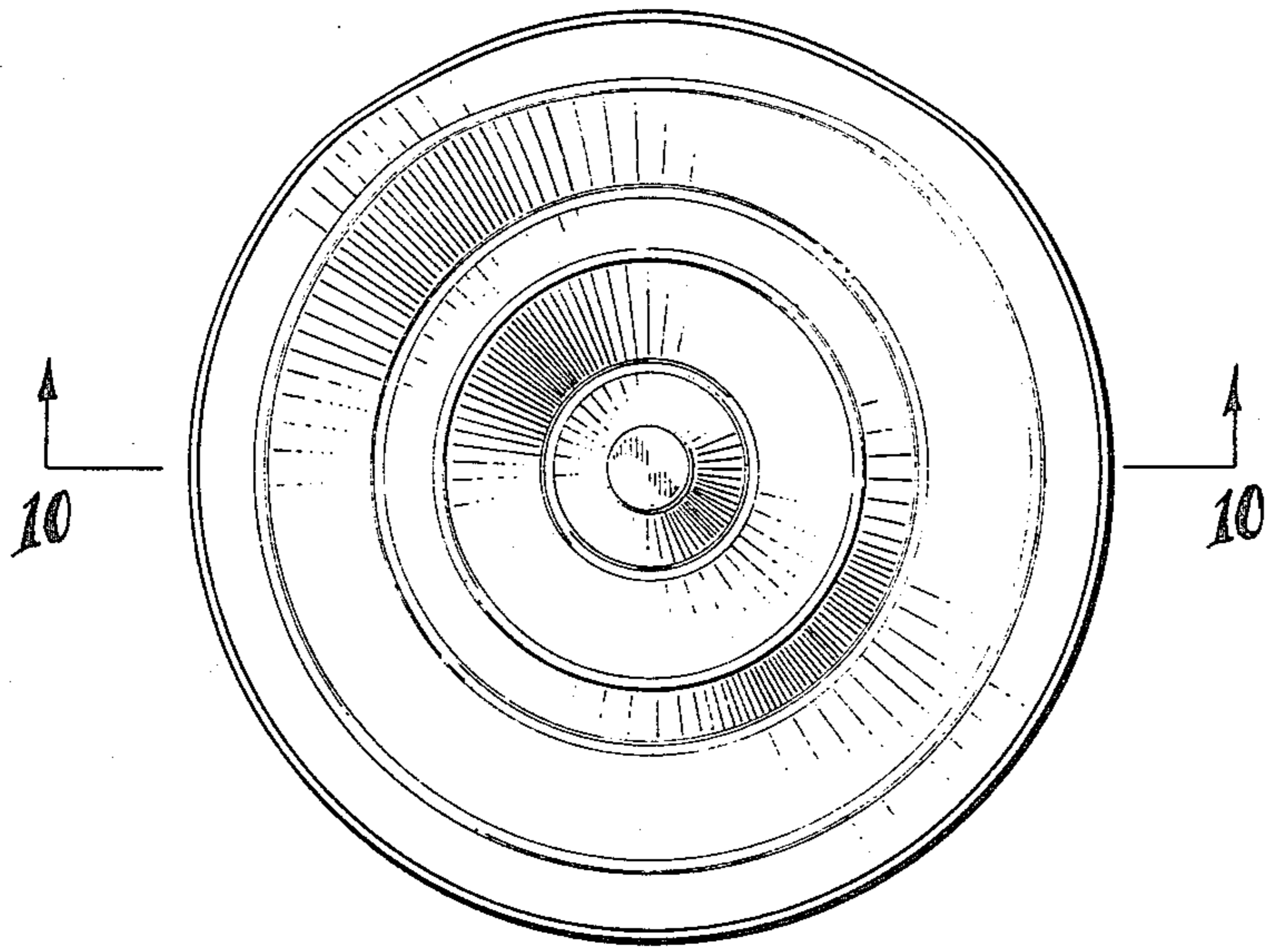


FIG. 9

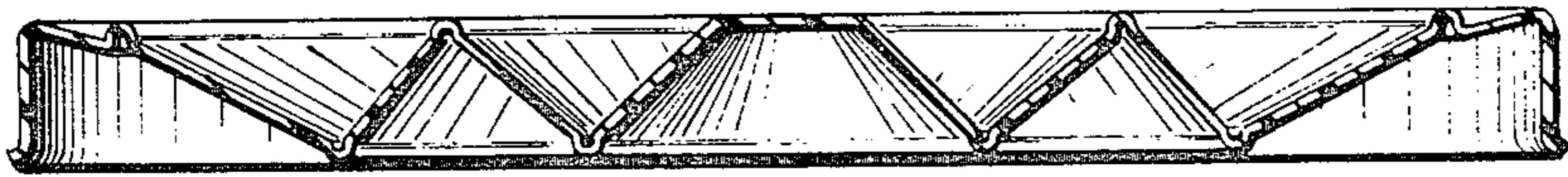


FIG. 10



FIG. 11

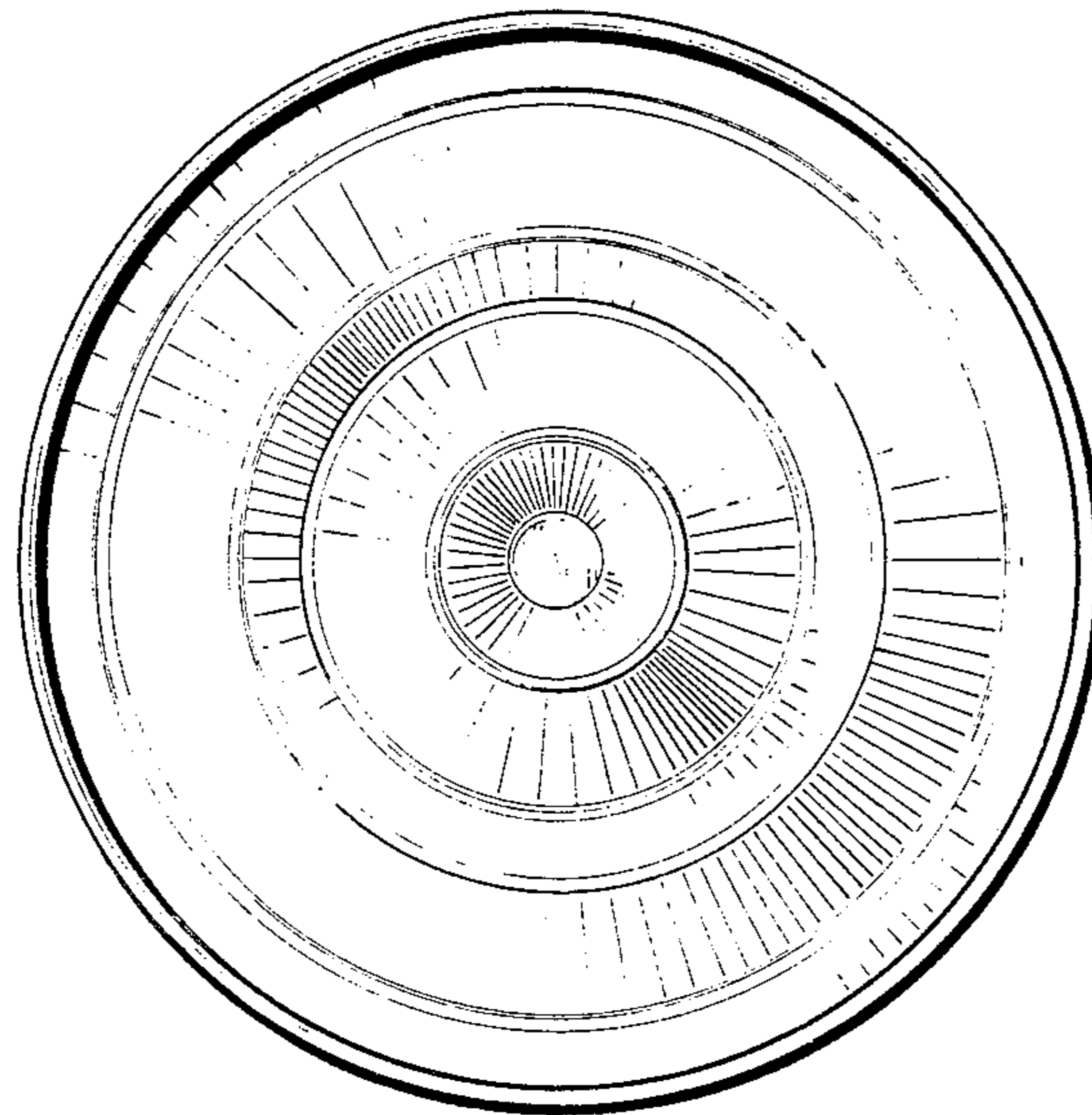


FIG. 12