

[54] EXIT OPERATOR

[75] Inventor: Theodore H. Miller, New Britain, Conn.

[73] Assignee: Emhart Industries, Inc., Farmington, Conn.

[\*\*] Term: 14 Years

[21] Appl. No.: 495,272

[22] Filed: May 16, 1983

[52] U.S. Cl. .... D8/302

[58] Field of Search ..... D8/330, 331, 302, 301; 70/92; 292/21, 92

[56] References Cited

U.S. PATENT DOCUMENTS

- D. 248,444 7/1978 Folger et al. .... D8/302
- D. 268,003 2/1983 Ohno ..... D8/302

- 3,663,047 5/1972 Zawadzki ..... 292/21
- 4,167,280 9/1979 Godec et al. .... 292/21
- 4,295,673 10/1981 Miller ..... 292/21

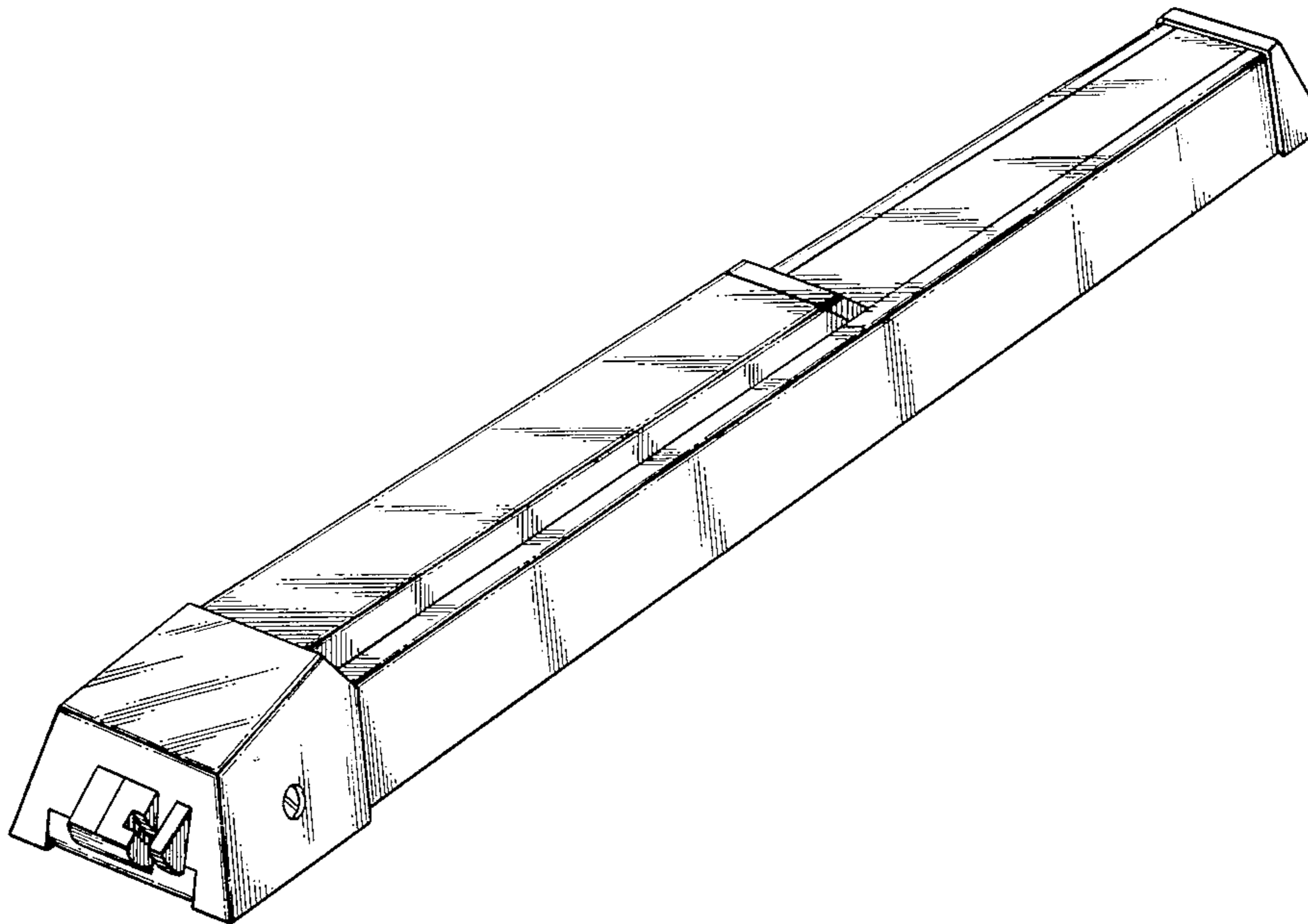
Primary Examiner—B. J. Bullock  
Assistant Examiner—Suzanne N. Gitlin  
Attorney, Agent, or Firm—H. Samuel Kieser

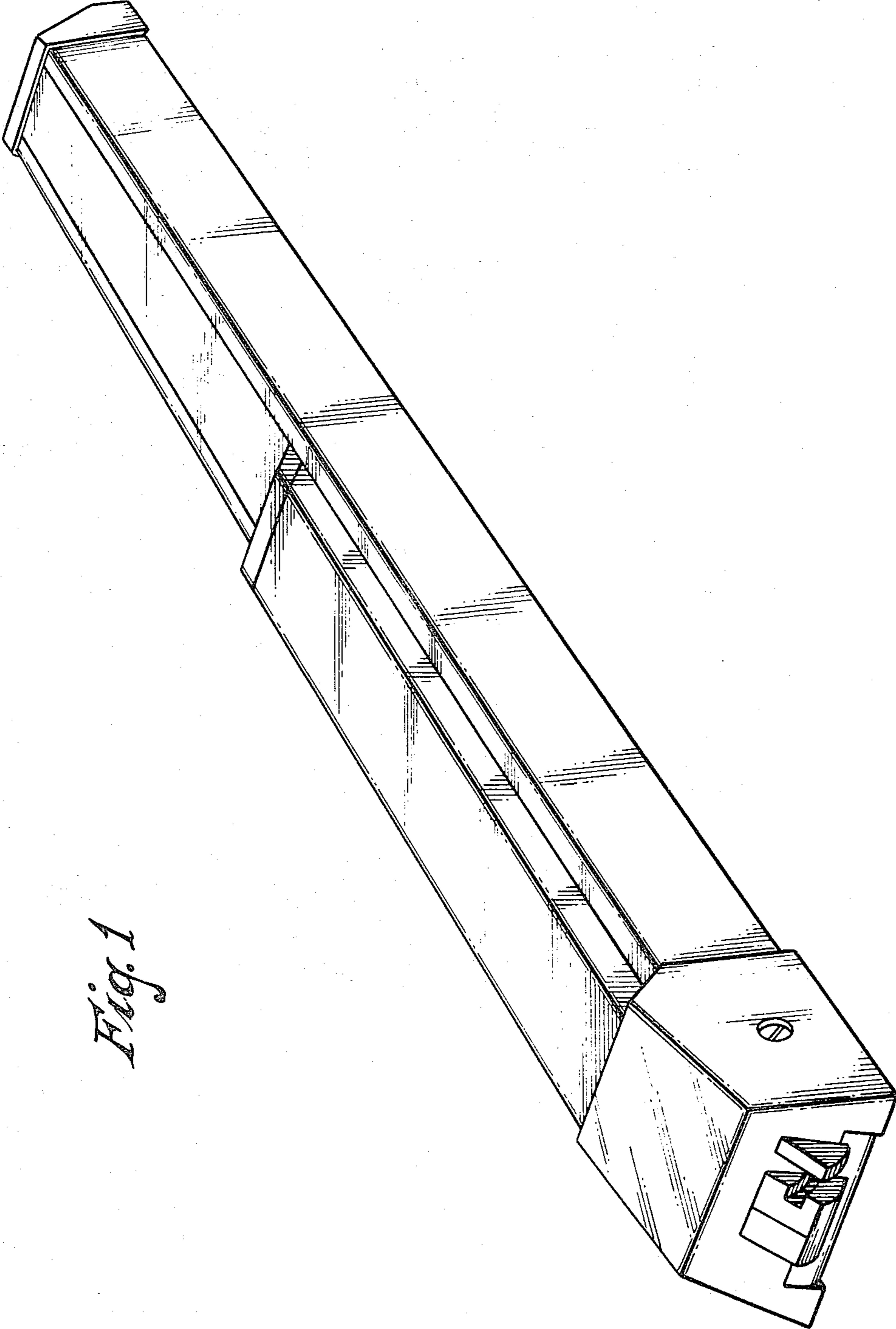
[57] CLAIM

The ornamental design for an exit operator, as shown and described.

DESCRIPTION

FIG. 1 is a perspective view of an exit operator showing my new design;  
 FIG. 2 is a front elevational view thereof;  
 FIG. 3 is a side elevational view taken from the right of FIG. 1, the opposite side being a mirror image;  
 FIG. 4 is a rear elevational view thereof;  
 FIG. 5 is a left end elevational view thereof;  
 FIG. 6 is a right end elevational view thereof.





*Fig. 1*

