

[54] BOTTLE OPENER

[56] References Cited

U.S. PATENT DOCUMENTS

[76] Inventors: Kori F. Gabriel, R.R. No. 3, Qualicum Beach, British Columbia, Canada, V0R 2T0; Wojtek T. Tomaszewski, 302 - 1772 Comox St., Vancouver, British Columbia, Canada, V6G 1P8

- D. 231,313 4/1974 Heelan D8/40 X
- D. 232,415 8/1974 Matsumoto D8/40
- D. 240,793 8/1976 Shumway et al. D8/40 X
- D. 249,452 9/1978 Gendron D8/40
- 3,812,741 5/1974 Heine D8/40 X
- 4,414,865 11/1983 Brooks et al. D8/40 X

Primary Examiner—Bruce W. Dunkins
Assistant Examiner—Terry Pfeffer

[**] Term: 14 Years

[57] CLAIM

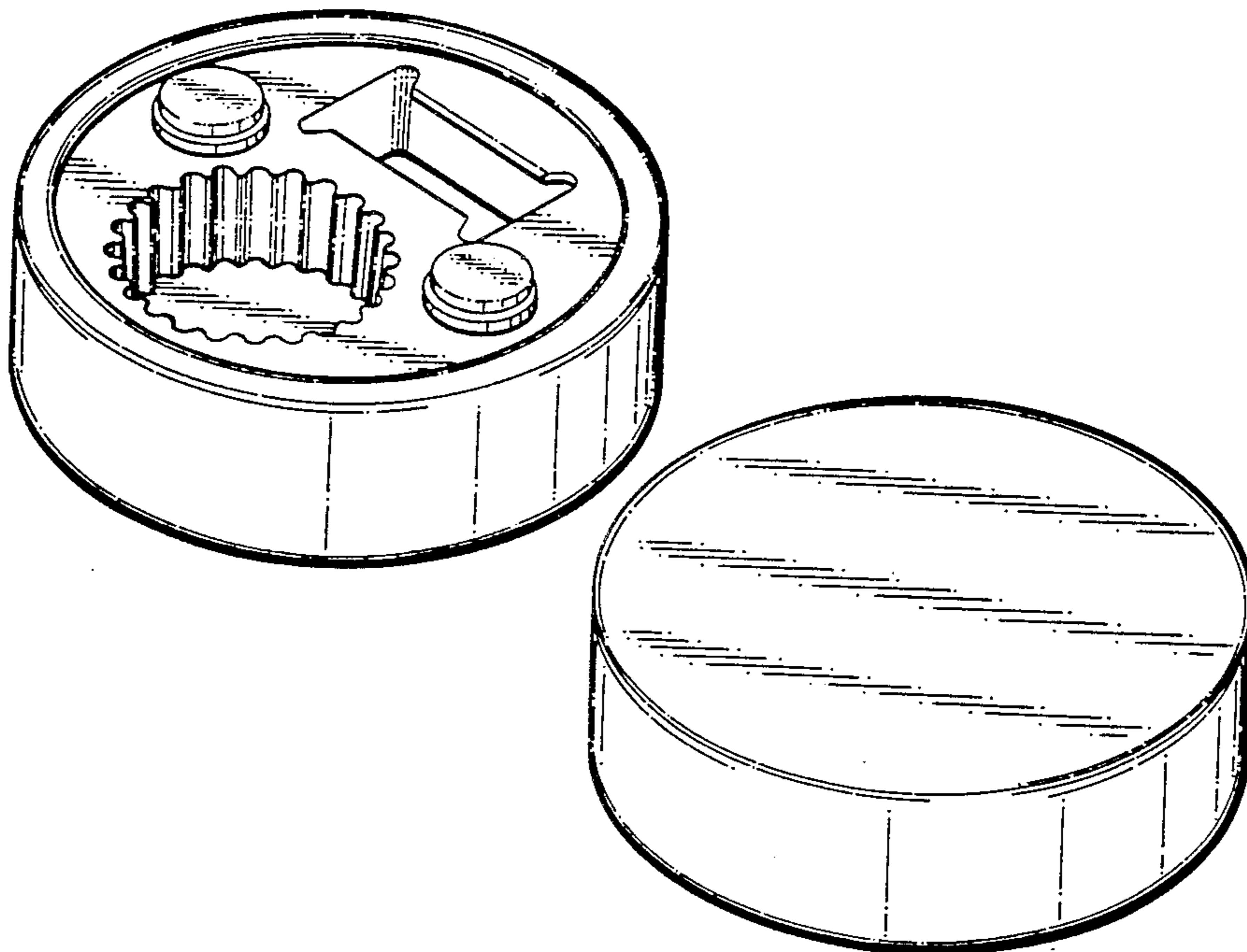
The ornamental design for a bottle opener, as shown and described.

[21] Appl. No.: 533,228

DESCRIPTION

[22] Filed: Sep. 19, 1983
[52] U.S. Cl. D8/40
[58] Field of Search D8/40, 18, 33, 38;
81/3.4, 121 R, 3.1 R, 3.34, 3.3 A; 7/151

FIG. 1 is a bottom perspective view of a bottle opener showing our new design;
FIG. 2 is a top perspective view thereof;
FIG. 3 is the bottom plan view thereof;
FIG. 4 is the top plan view thereof, and
FIG. 5 is a side elevation view thereof.



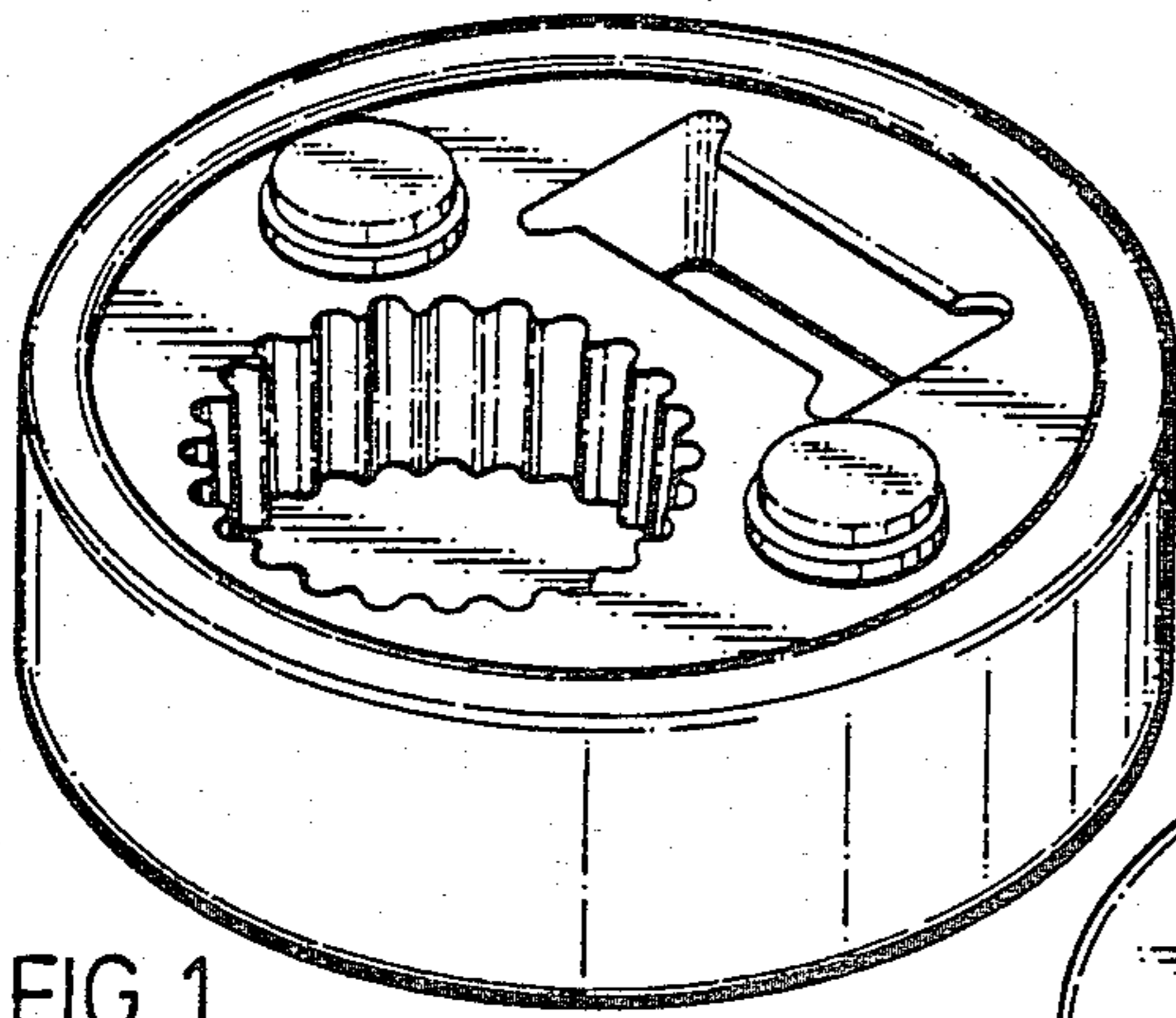


FIG. 1.

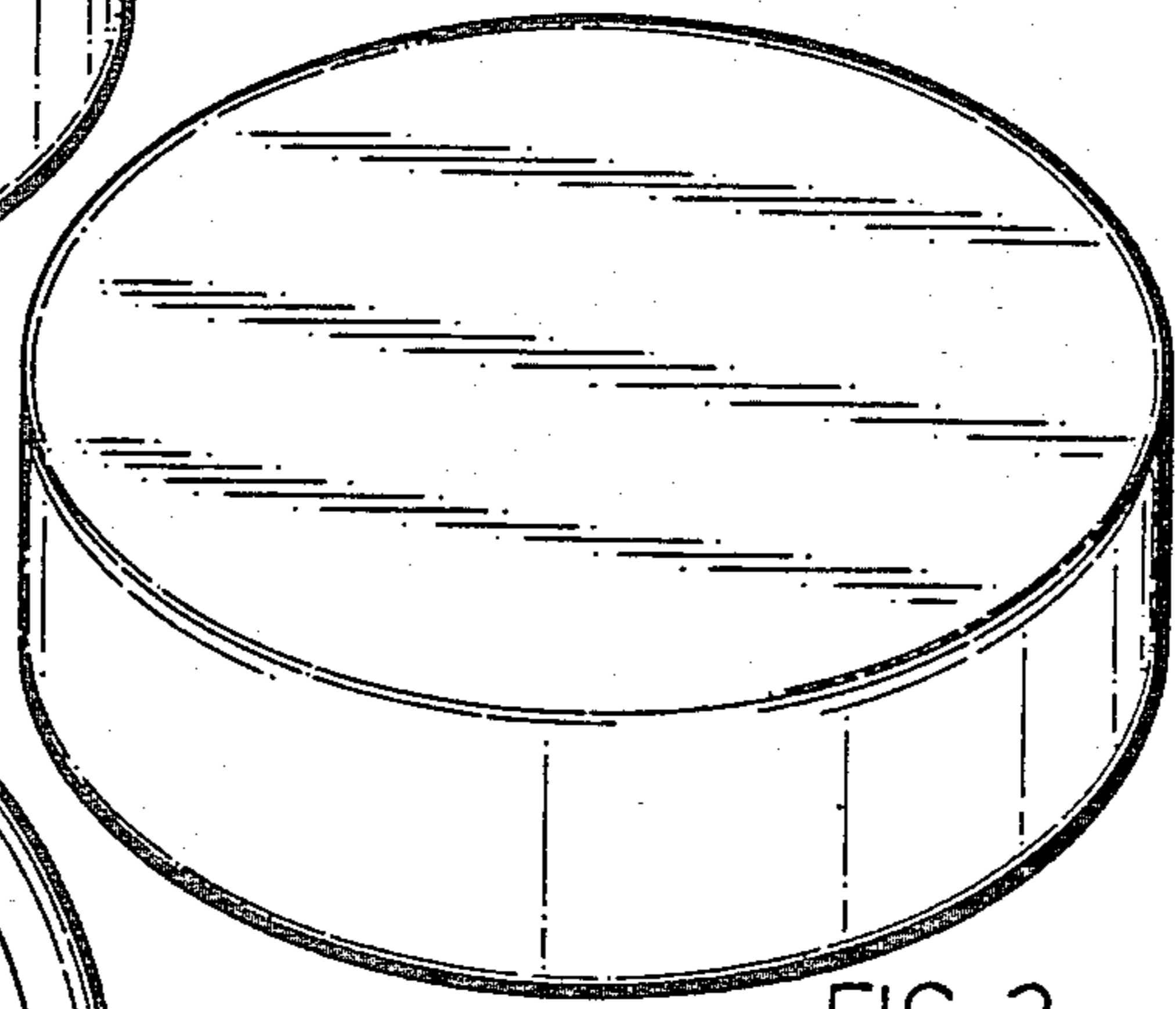


FIG. 2.

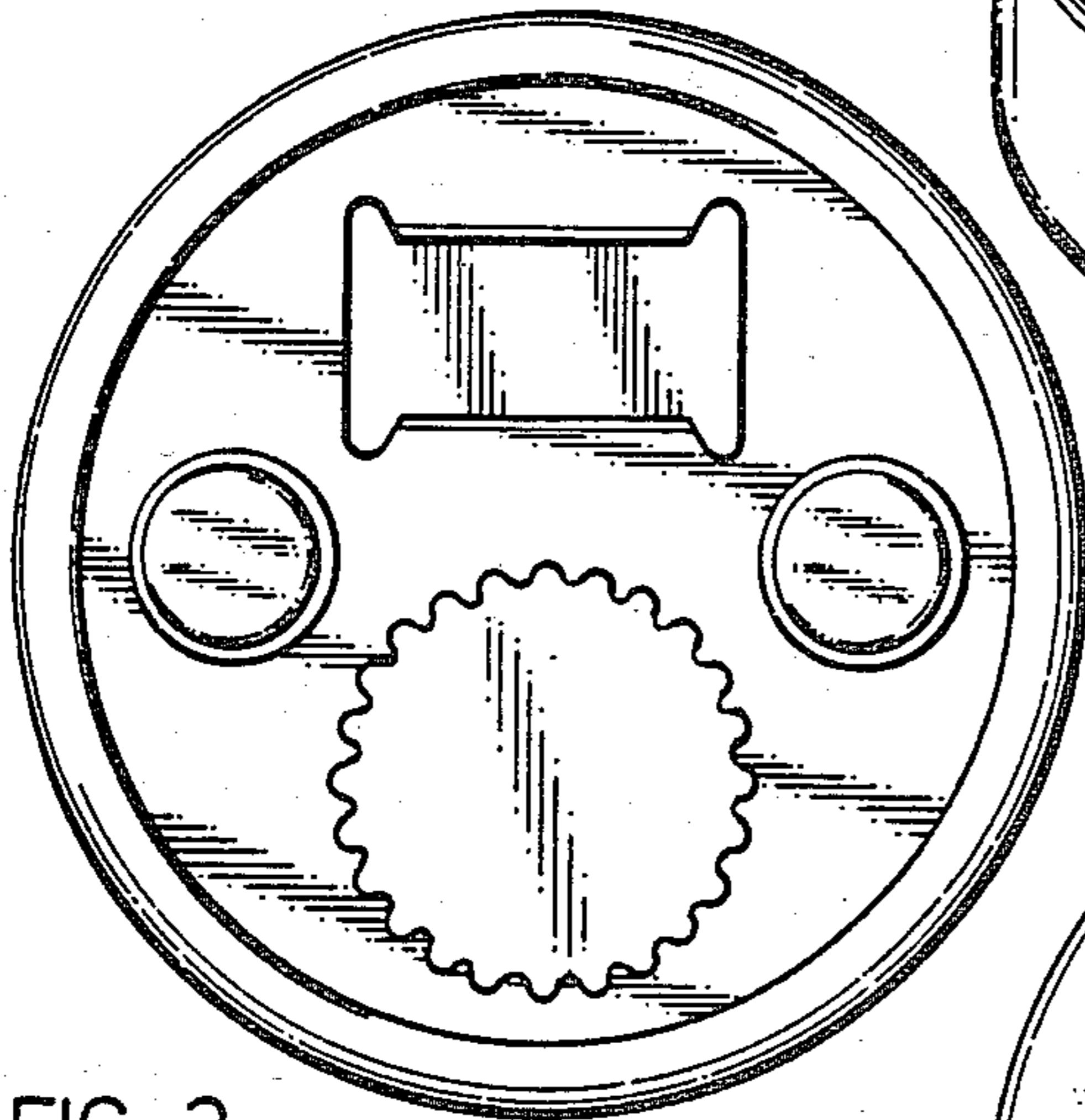


FIG. 3.

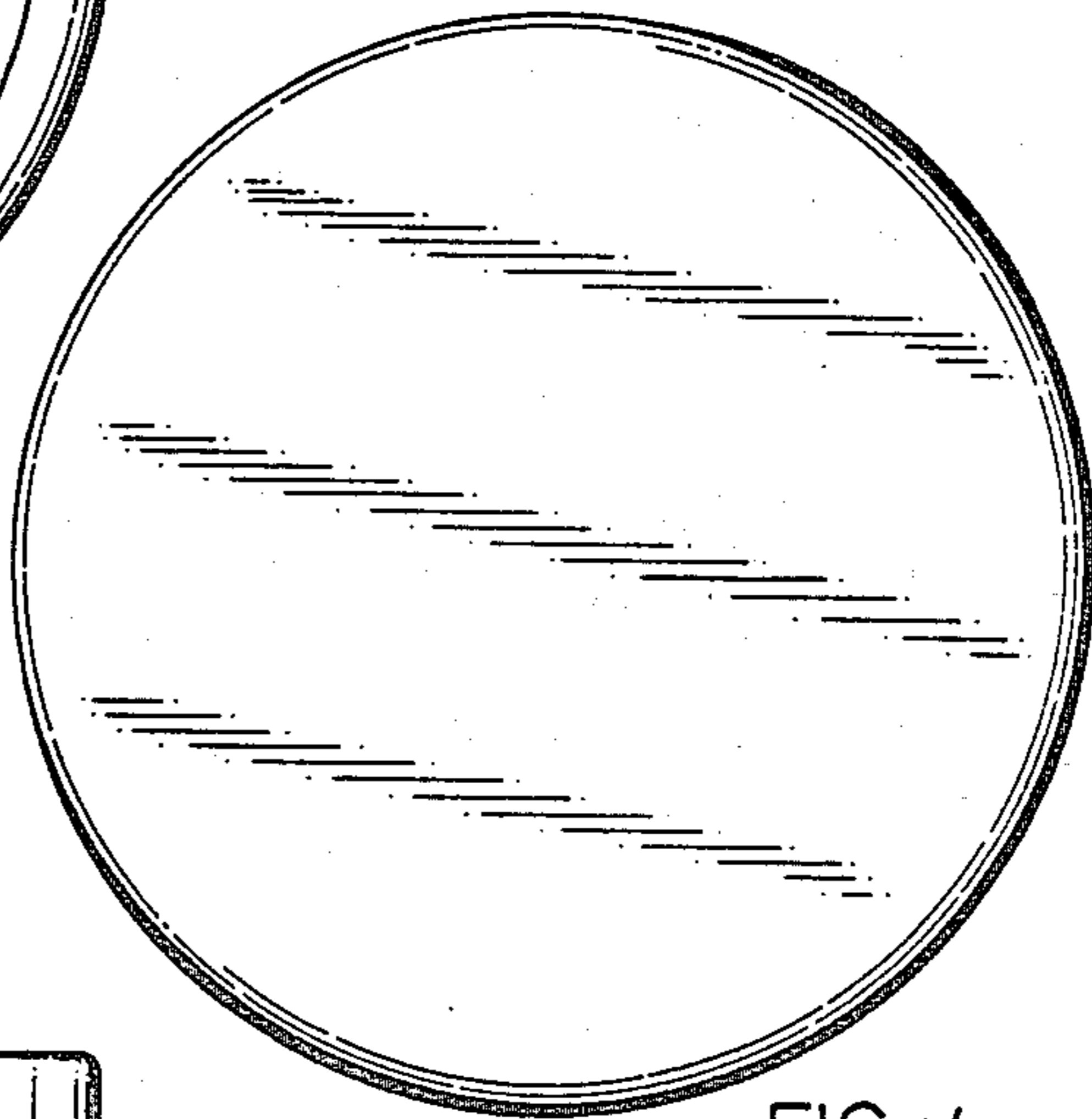


FIG. 4.

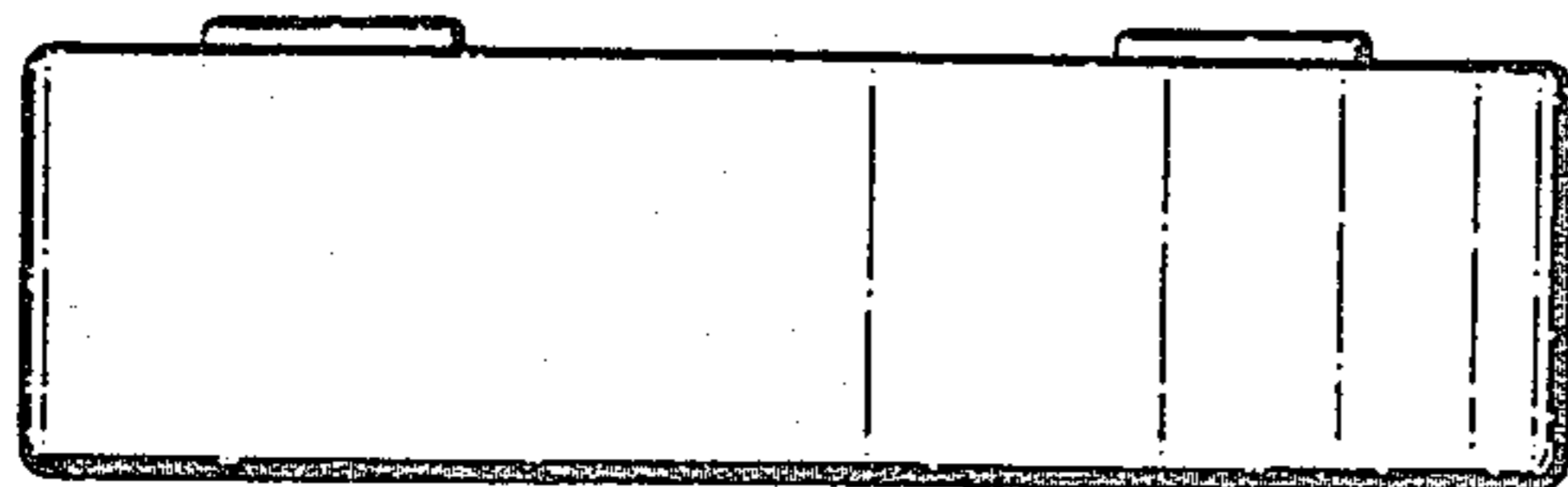


FIG. 5.