

[54] **MICRO-FEEDER TUBE FOR PLANT INJECTION DEVICE**

[75] **Inventor: Dale I. Dodds, Pasadena, Calif.**

[73] **Assignee: J. J. Mauget Co., Burbank, Calif.**

[**] **Term: 14 Years**

[21] **Appl. No.: 555,348**

[22] **Filed: Nov. 28, 1983**

Related U.S. Application Data

[63] **Continuation-in-part of Ser. No. 301,939, Sep. 14, 1981, Pat. No. Des. 273,265.**

[52] **U.S. Cl. D8/1**

[58] **Field of Search D8/1, 2; 47/48.5**

[56] **References Cited**

U.S. PATENT DOCUMENTS

D. 245,061 7/1977 Knapp D8/1
D. 253,223 10/1979 Manning, Jr. D8/1
2,602,391 7/1952 Pedranti et al. 47/48.5
2,809,468 10/1957 Eliot 47/48.5
4,089,133 5/1978 Duncan 47/48.5

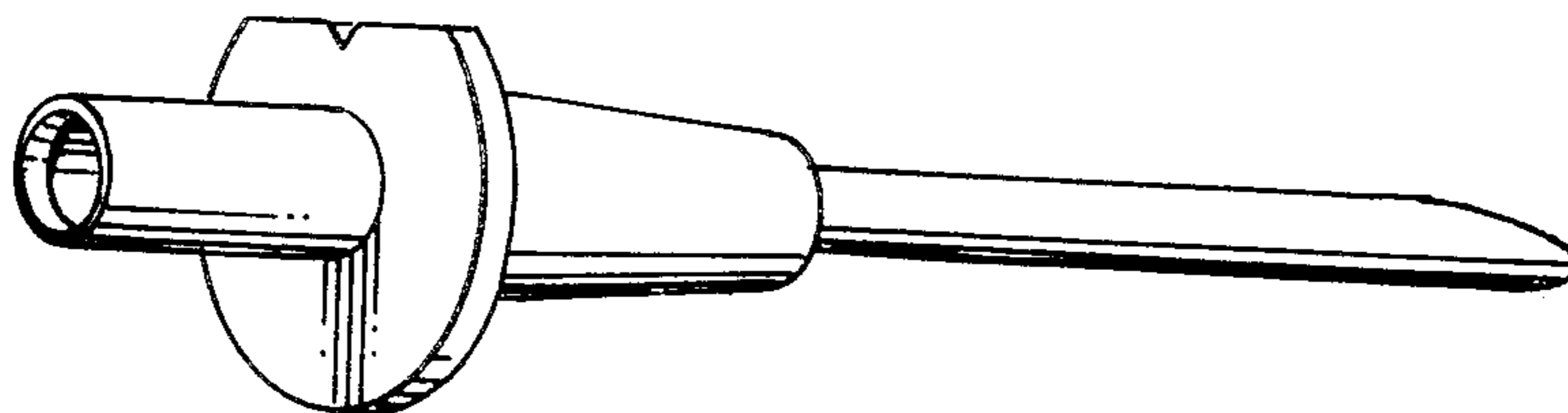
Primary Examiner—B. J. Bullock
Attorney, Agent, or Firm—Donald Diamond

[57] **CLAIM**

The ornamental design for a micro-feeder tube for plant injection device, substantially as shown.

DESCRIPTION

FIG. 1 is a perspective view, taken from the top, rear and right side of a micro-feeder tube for plant injection device, showing my new design;
FIG. 2 is a left side elevational view thereof;
FIG. 3 is a front elevational view thereof;
FIG. 4 is a rear elevational view thereof; and
FIG. 5 is a side elevational view thereof taken along line 5—5 of FIG. 3.



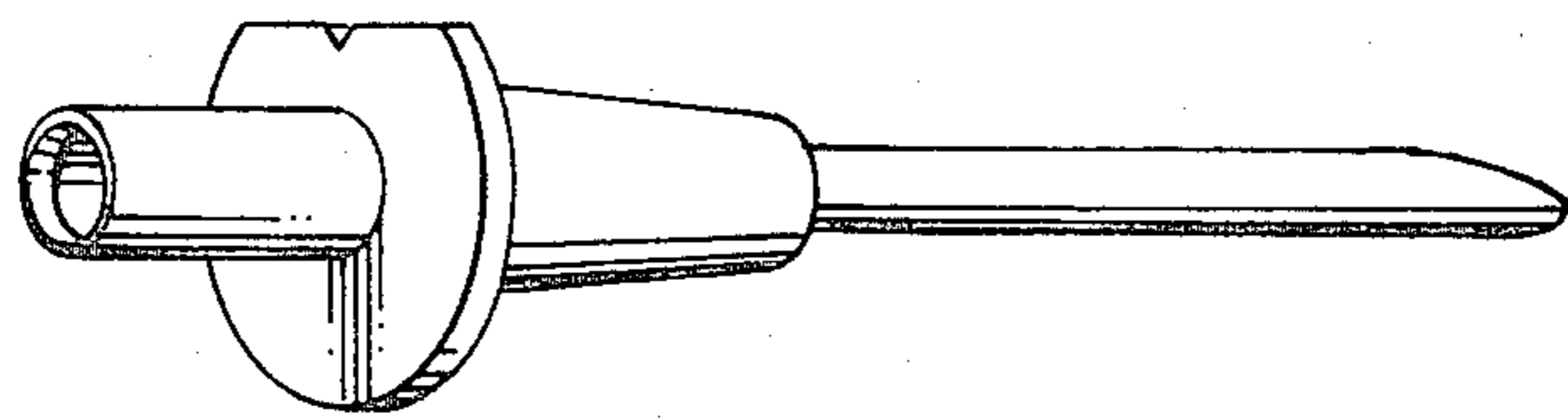


Fig. 1

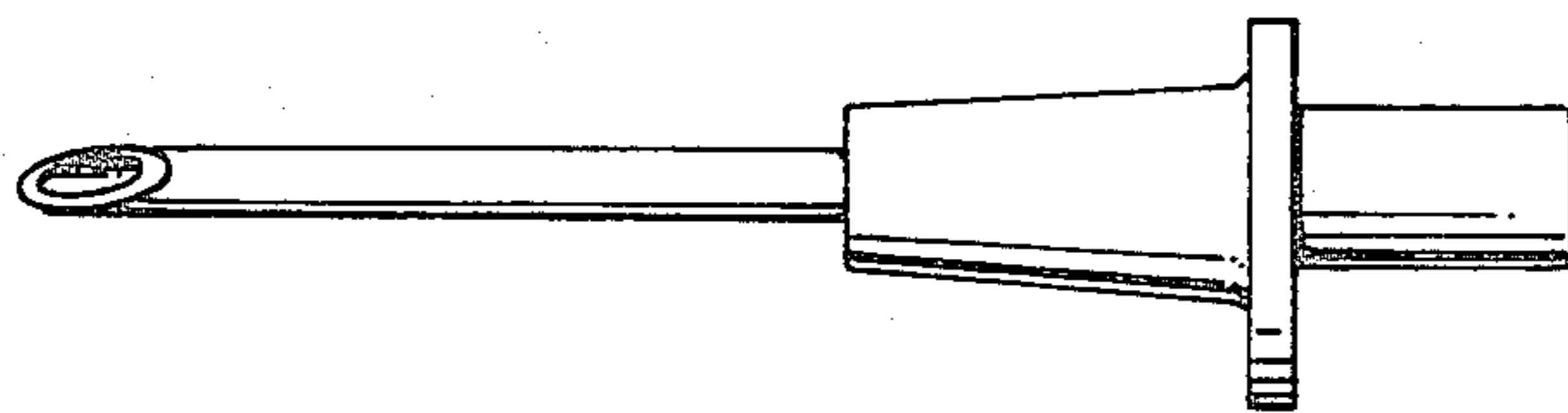


Fig. 2

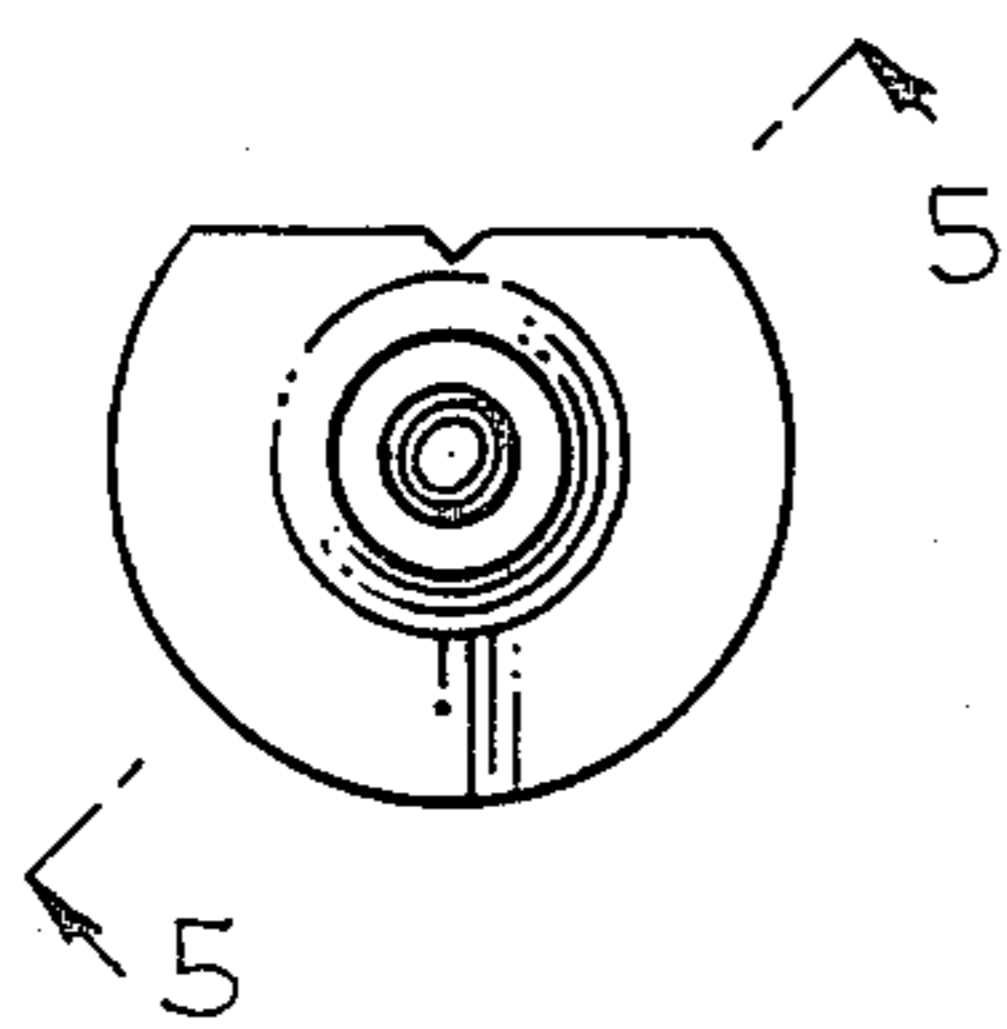


Fig. 3

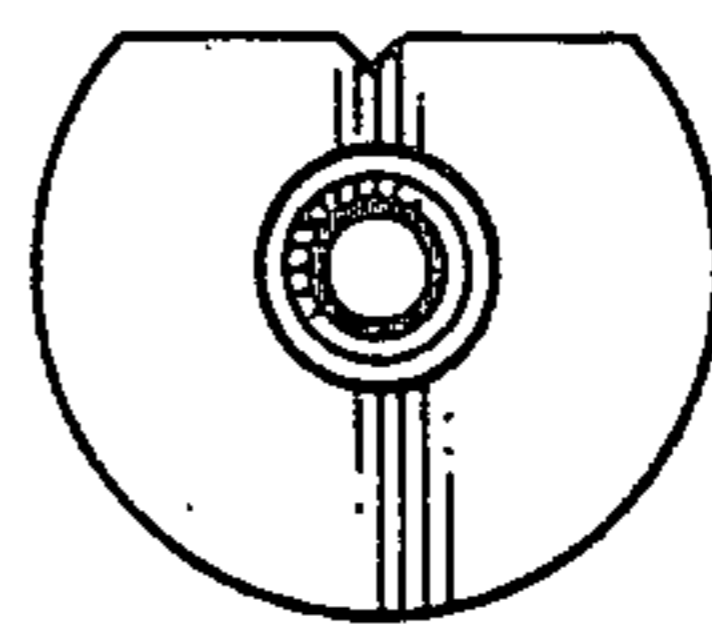


Fig. 4

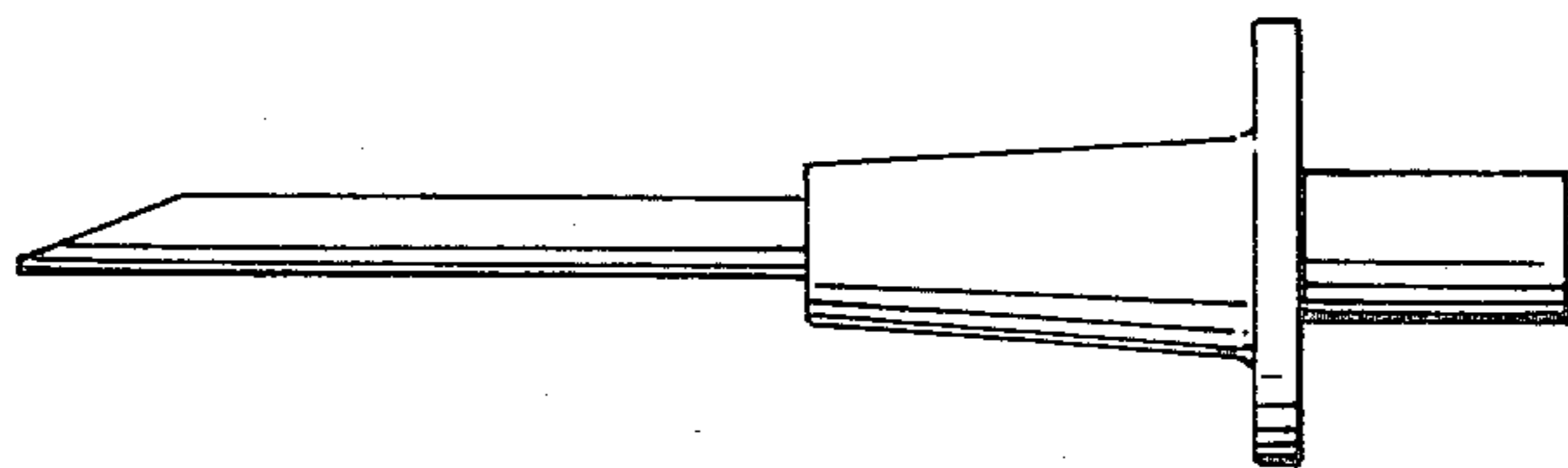


Fig. 5