

United States Patent [19]

Murry

[11] Patent Number: **Des. 281,562**

[45] Date of Patent: **** Dec. 3, 1985**

[54] **BASE FOR A CHAIR OR THE LIKE**

[75] Inventor: **Edsel E. Murry, Christiana, Tenn.**

[73] Assignee: **Samsonite Corporation, Denver, Colo.**

[**] Term: **14 Years**

[21] Appl. No.: **511,047**

[22] Filed: **Jul. 5, 1983**

[52] U.S. Cl. **D6/501**

[58] Field of Search D6/334, 360, 361, 370,
D6/372, 373, 371, 381, 503

[56] **References Cited**

U.S. PATENT DOCUMENTS

- D. 233,964 12/1974 Morrison et al. D6/373
- D. 235,711 7/1975 Acton D6/373
- D. 235,947 7/1975 Uyeda D6/373
- D. 237,673 11/1975 Uchida D6/373 X

- D. 245,551 8/1977 DeFuccio D6/373
- D. 254,351 3/1980 Gageby D6/373
- D. 263,262 3/1982 Thygesen et al. D6/373
- D. 278,195 4/1985 Tisbo et al. D6/373

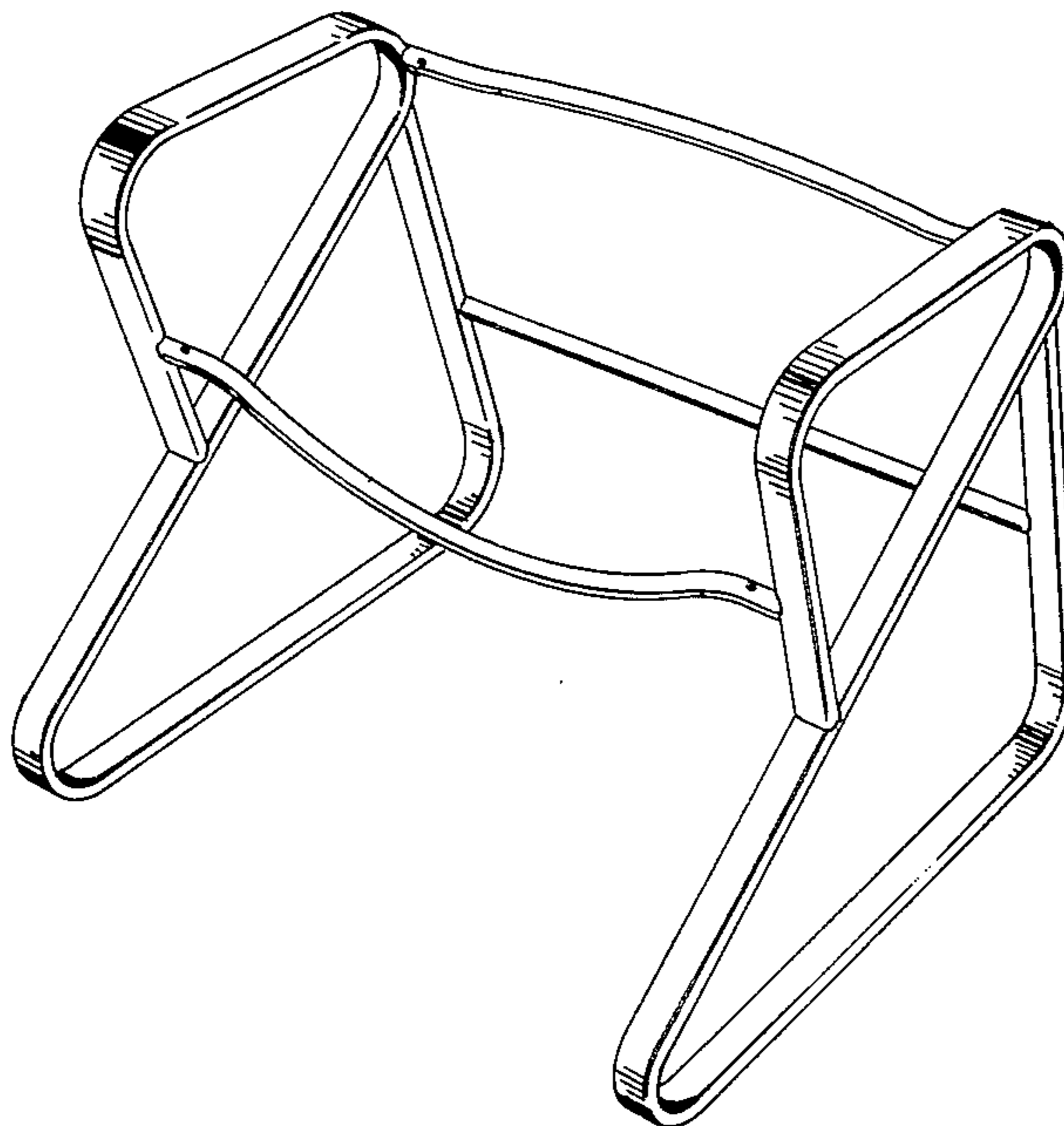
Primary Examiner—Bruce W. Dunkins
Attorney, Agent, or Firm—D. Michael Clayton

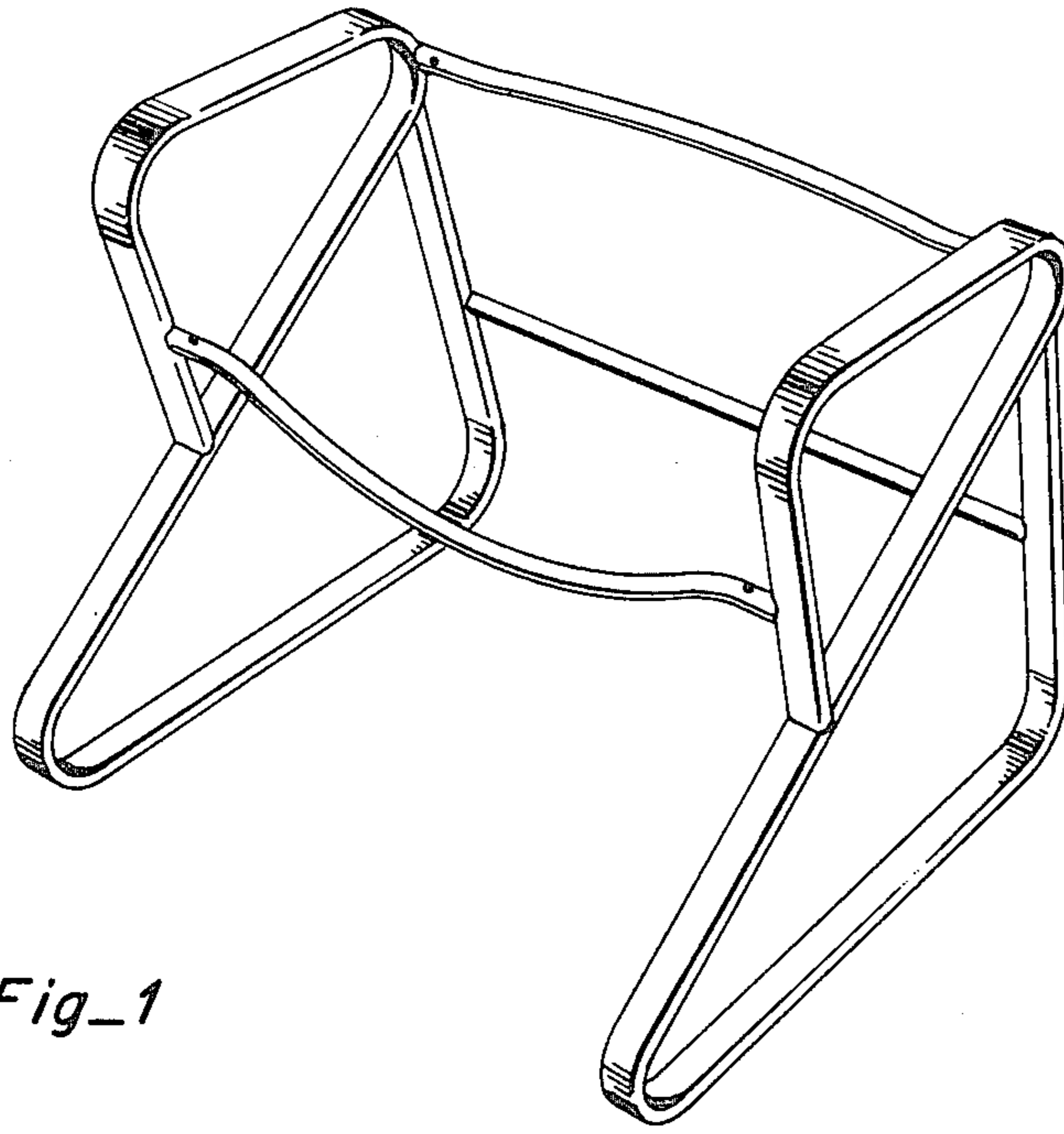
[57] **CLAIM**

The ornamental design for a base for chair or the like, as shown and described.

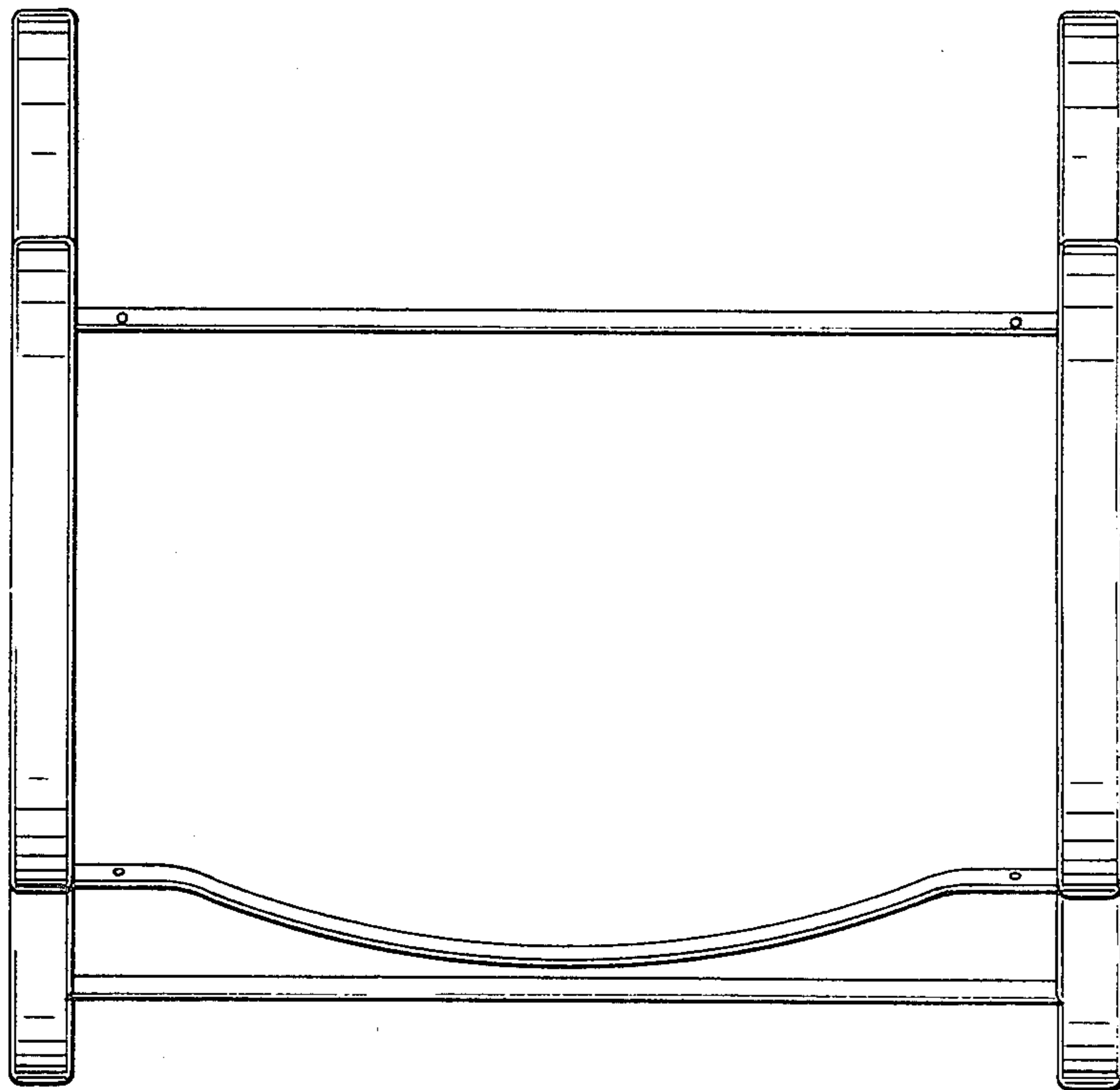
DESCRIPTION

FIG. 1 is a perspective view of a base for a chair or the like showing my new design;
FIG. 2 is a top plan view thereof;
FIG. 3 is a bottom plan view thereof;
FIG. 4 is a right end elevational view thereof, the opposite end being a mirror image thereof;
FIG. 5 is a front elevational view thereof; and
FIG. 6 is a rear elevational view thereof.

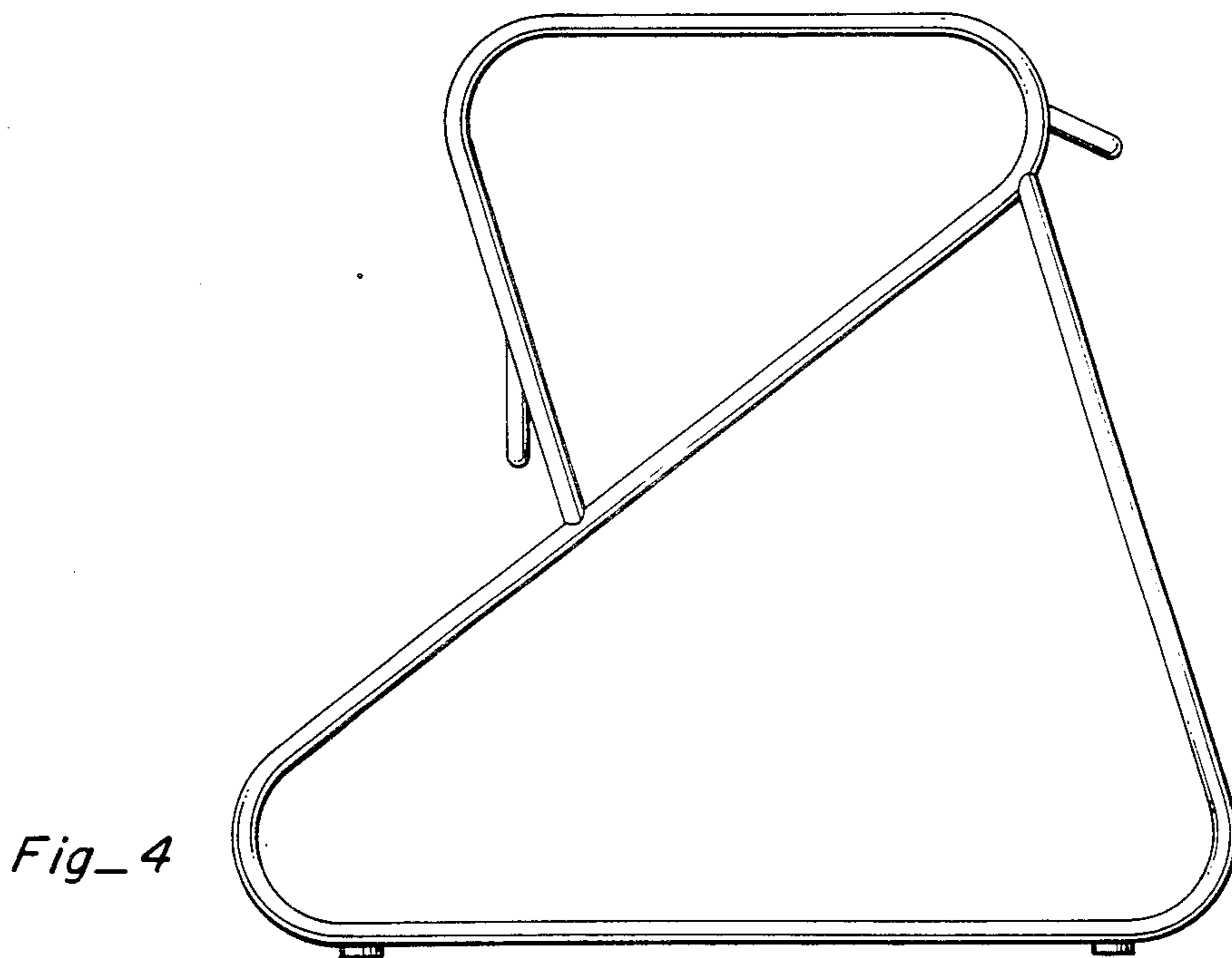
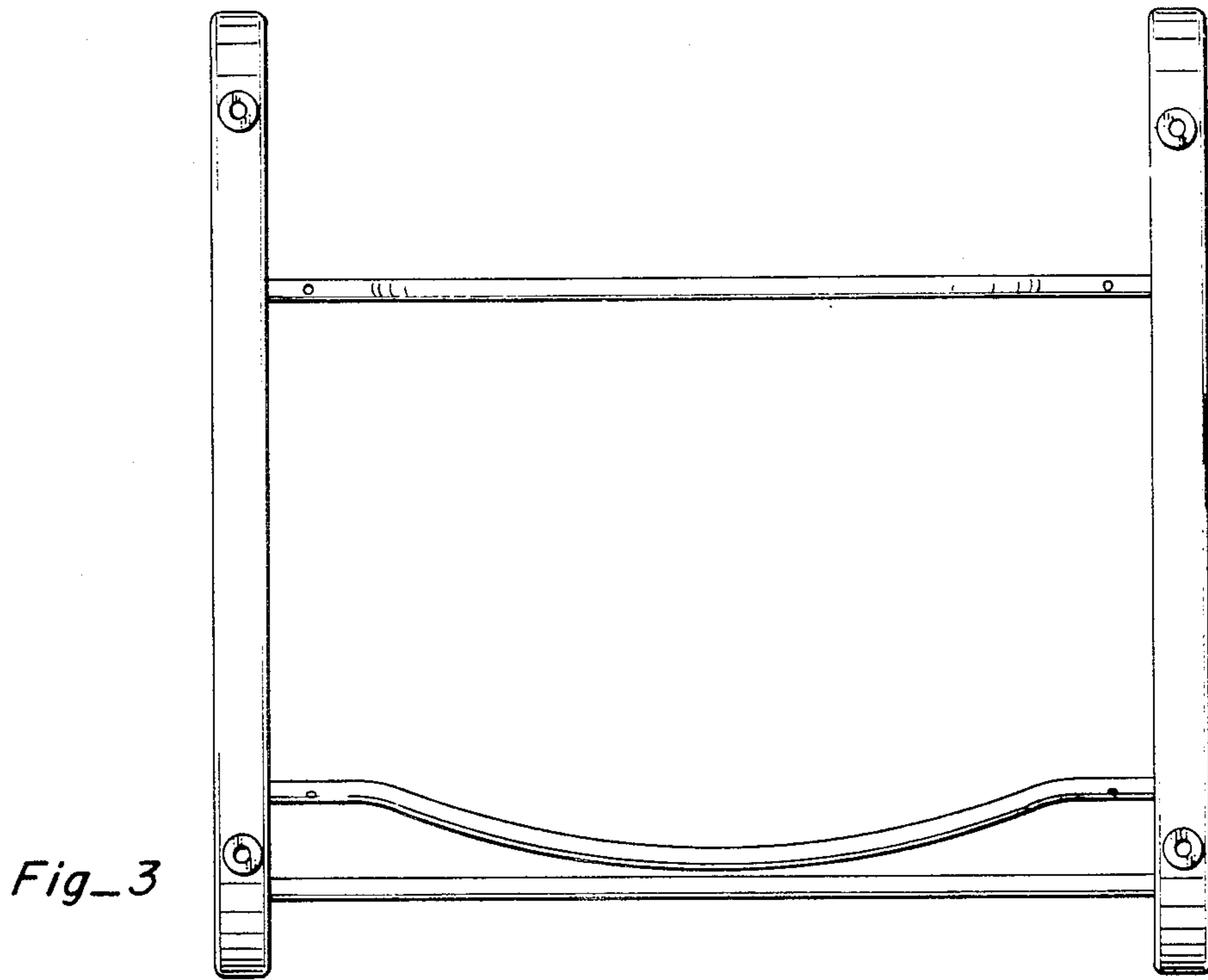


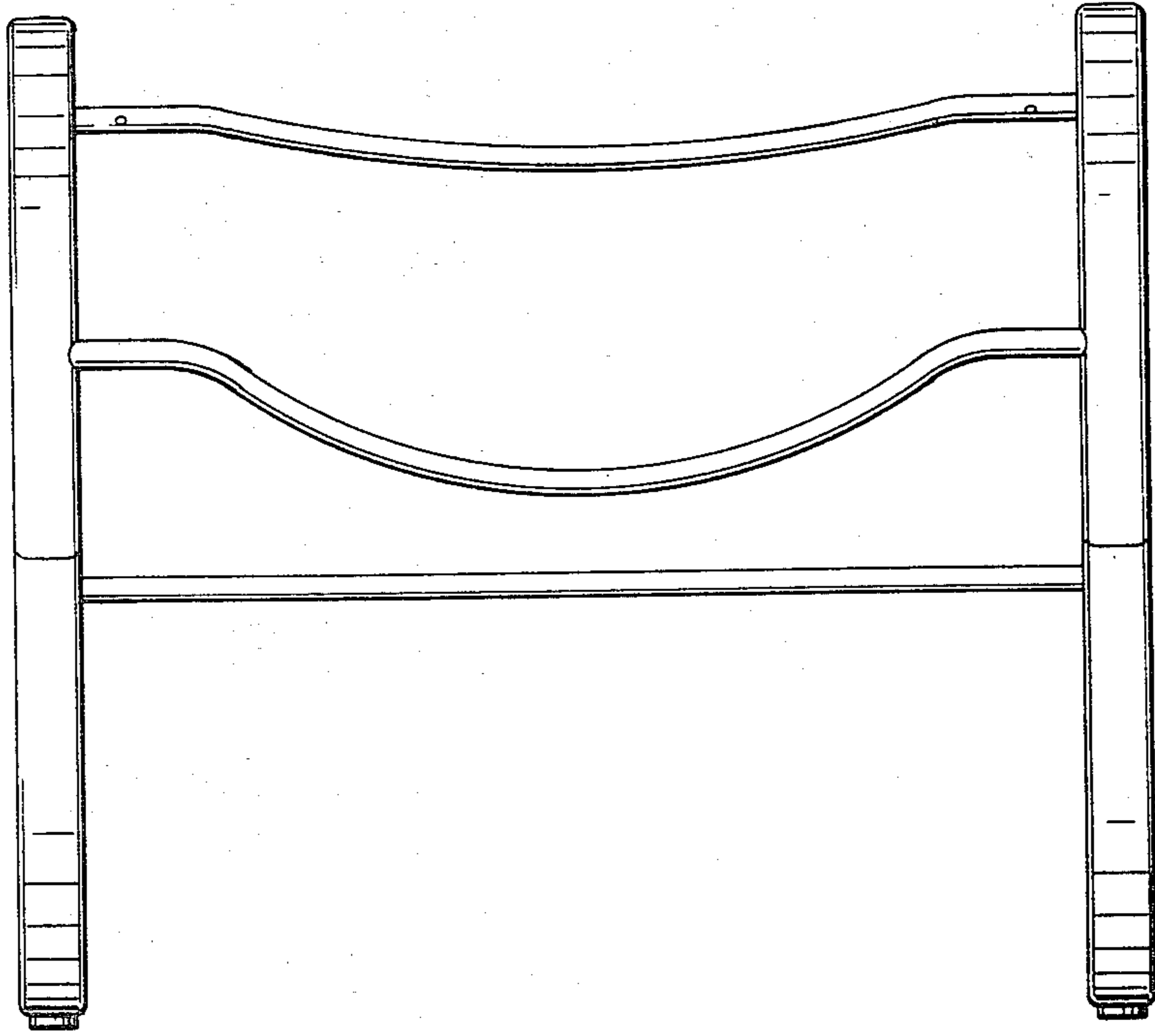


Fig_1

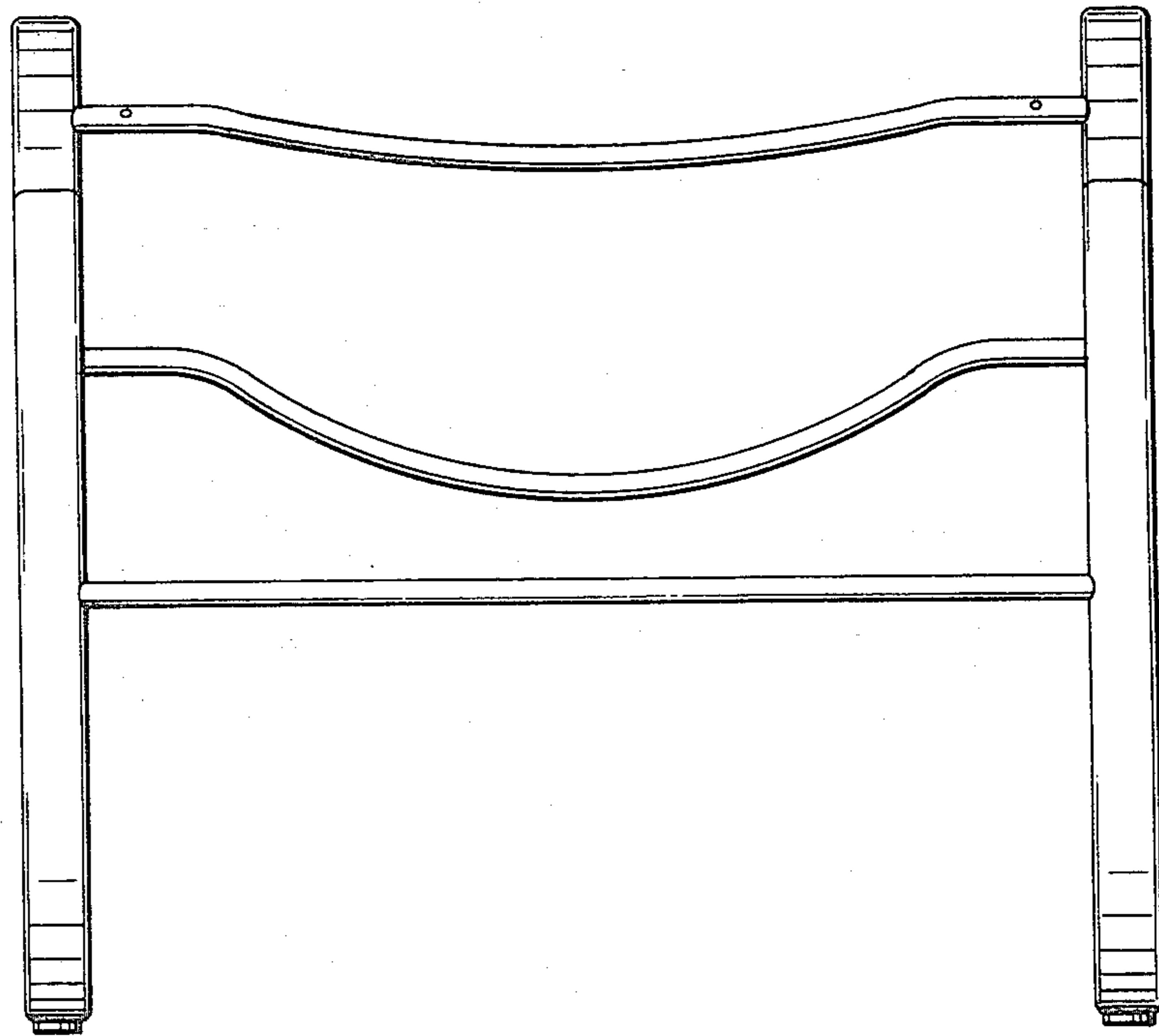


Fig_2





Fig_5



Fig_6