

[54] BASE FOR CHAISE LOUNGE OR THE LIKE

[75] Inventor: Edsel E. Murry, Christiana, Tenn.

[73] Assignee: Samsonite Corporation, Denver, Colo.

[**] Term: 14 Years

[21] Appl. No.: 511,046

[22] Filed: Jul. 5, 1983

[52] U.S. Cl. D6/501; D6/361

[58] Field of Search D6/334, 360, 361, 370, D6/371, 372, 373, 381, 503

[56] References Cited

U.S. PATENT DOCUMENTS

D. 180,491	6/1957	MartinéD6	D6/361
D. 245,551	8/1977	DeFuccio	D6/373
D. 254,351	3/1980	Gageby	D6/373
D. 263,262	3/1982	Thygesen et al.	D6/373

OTHER PUBLICATIONS

Interiors, May 1982, p. 106, Lounge top left, by Brown Jordan.

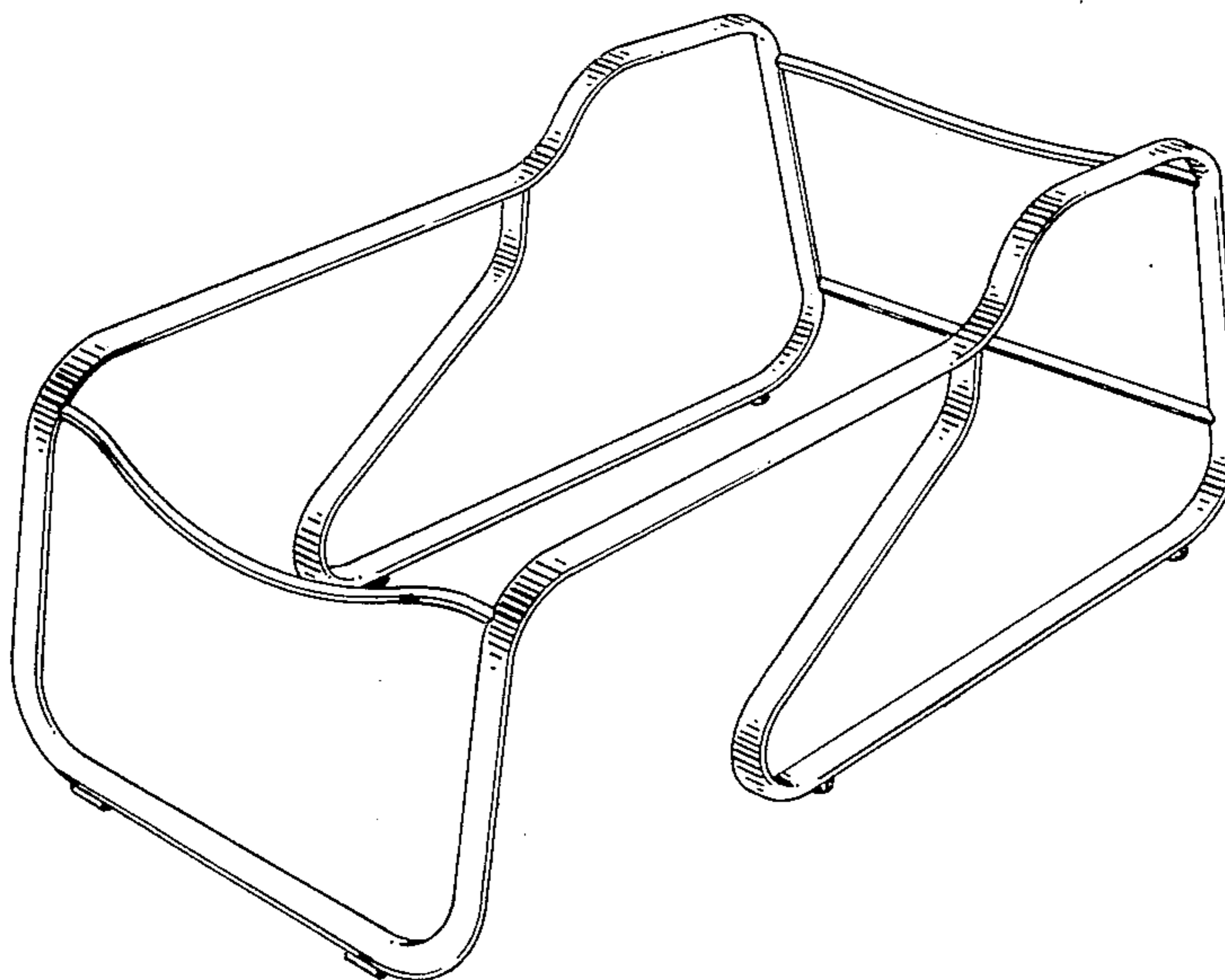
Primary Examiner—Bruce W. Dunkins
Attorney, Agent, or Firm—D. Michael Clayton

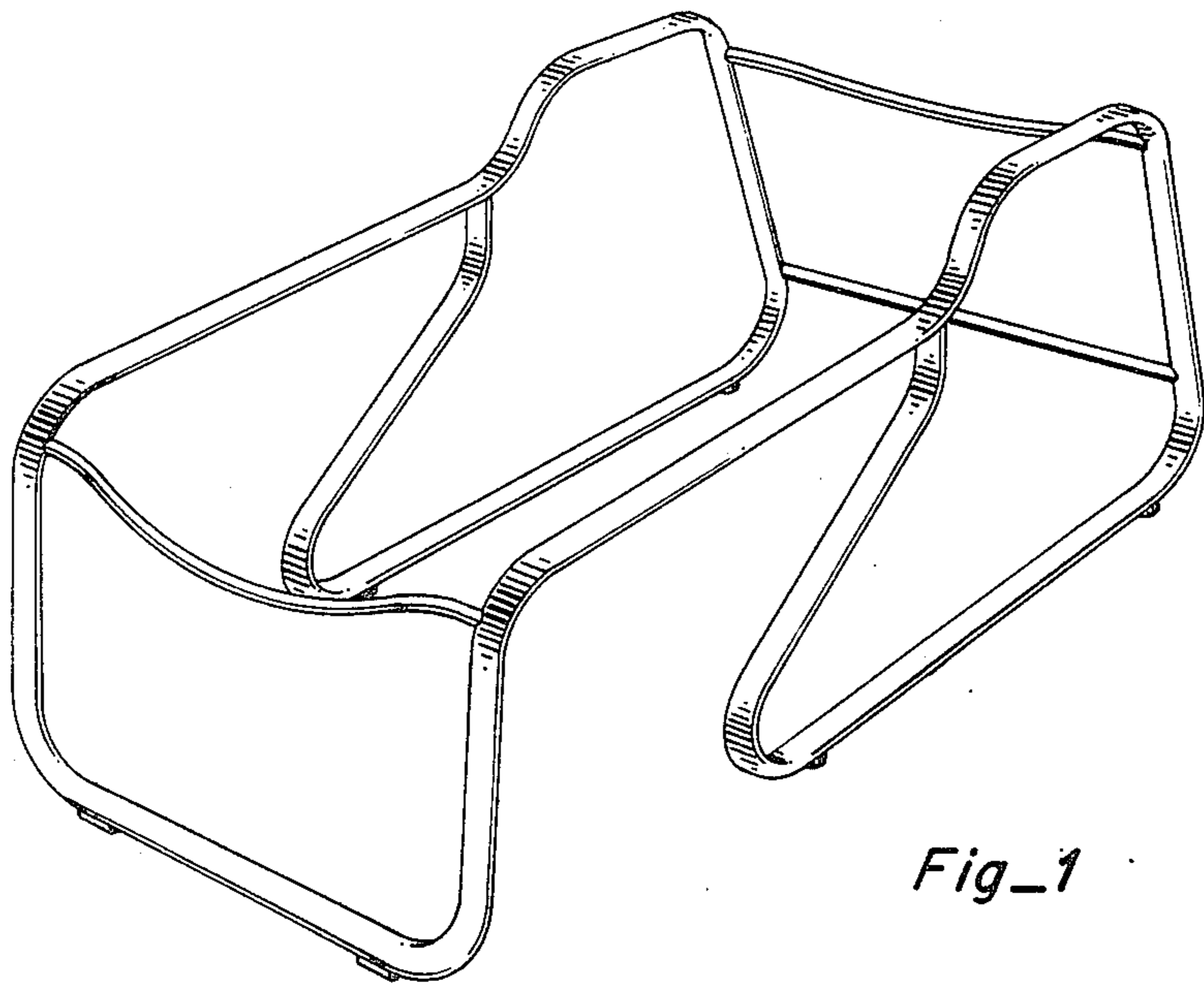
[57] CLAIM

The ornamental design for a base for chaise lounge or the like, as shown and described.

DESCRIPTION

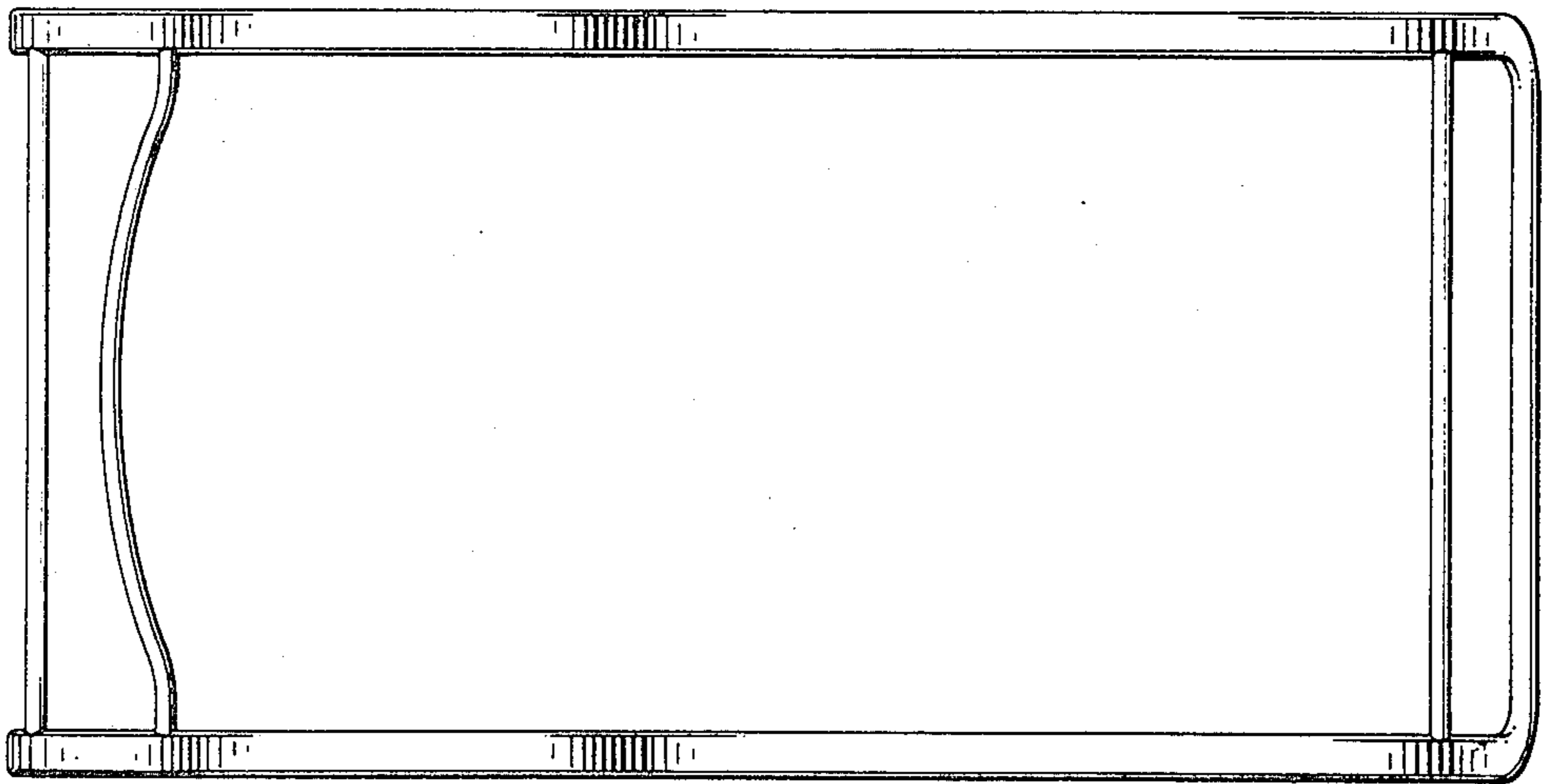
FIG. 1 is a perspective view of a base for chaise lounge or the like showing my new design; FIG. 2 is a top plan view thereof; FIG. 3 is a bottom plan view thereof; FIG. 4 is a left end elevational view thereof, the opposite end being a mirror image thereof; FIG. 5 is a front elevational view thereof; and FIG. 6 is a rear elevational view thereof.

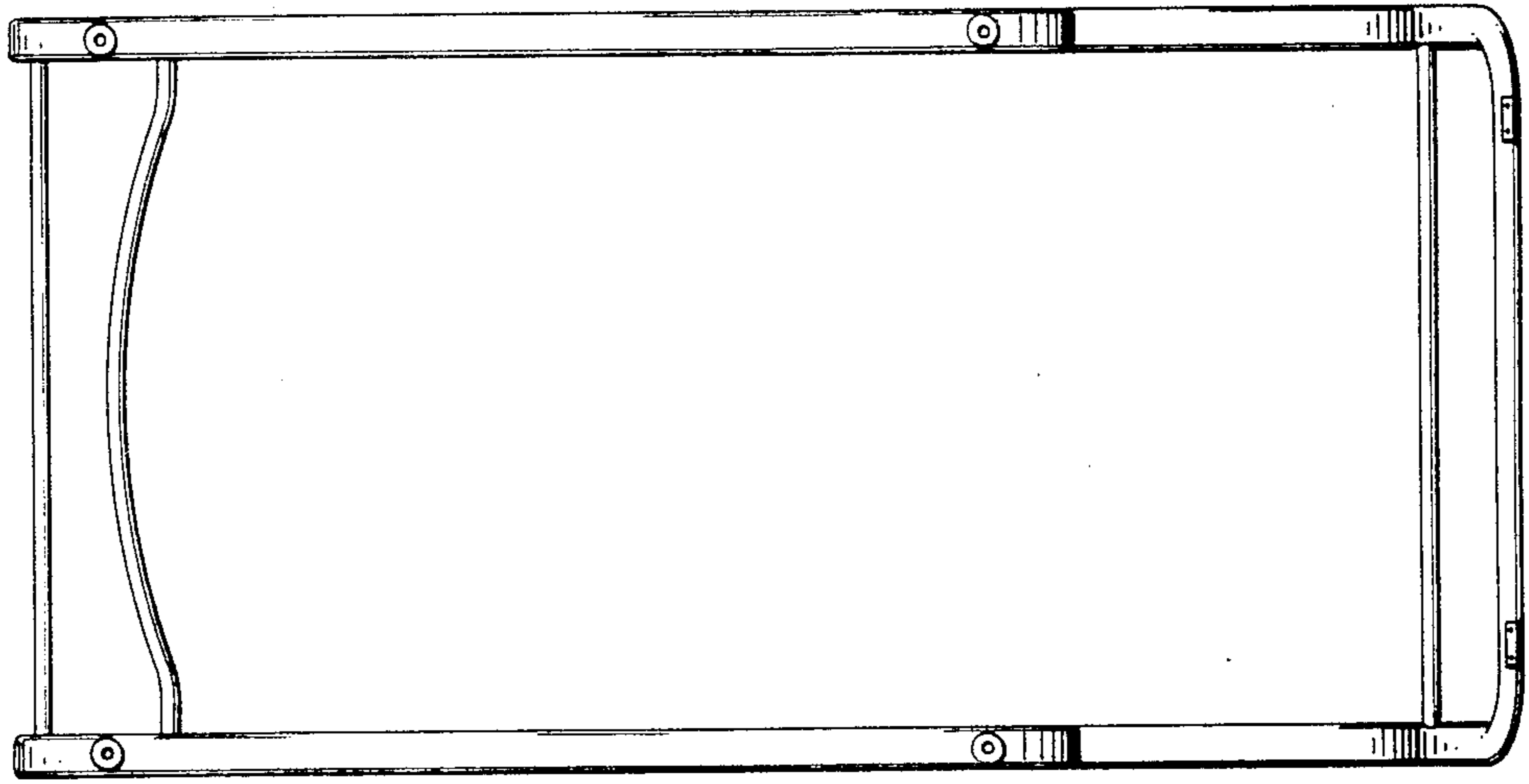




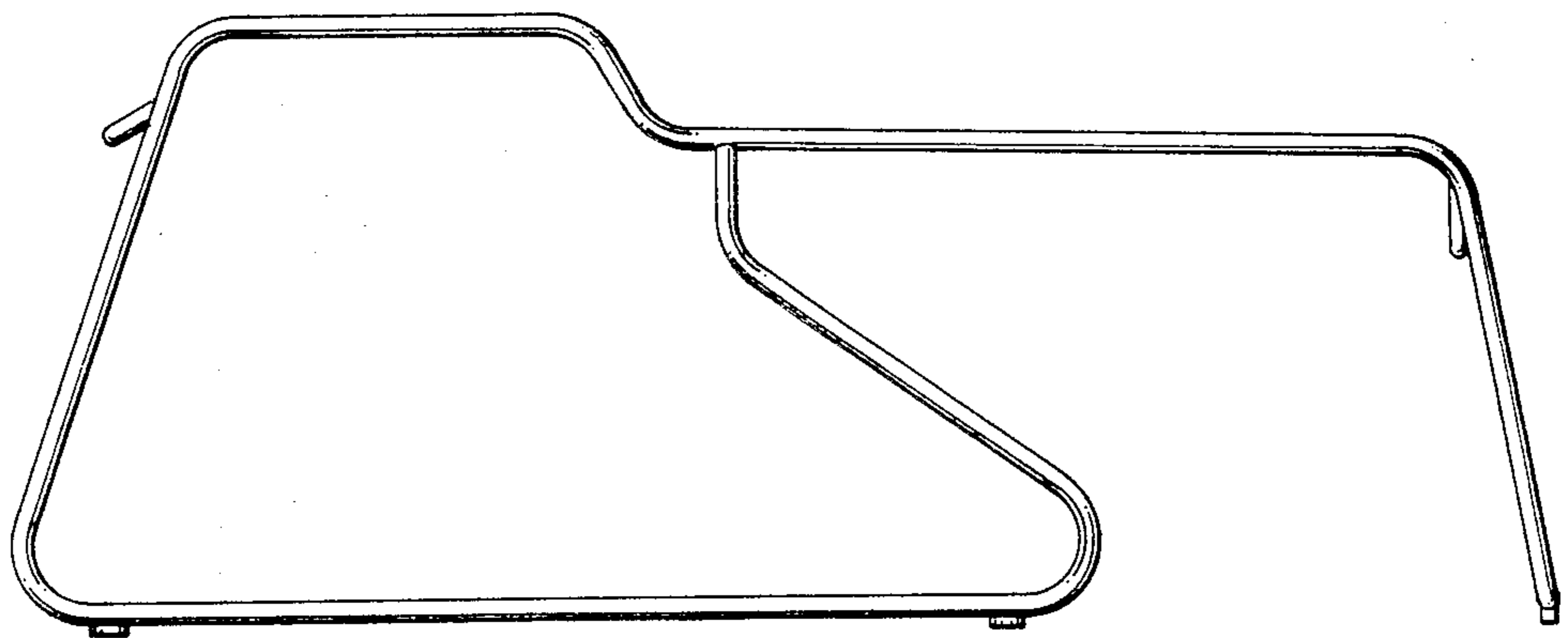
Fig_1

Fig_2



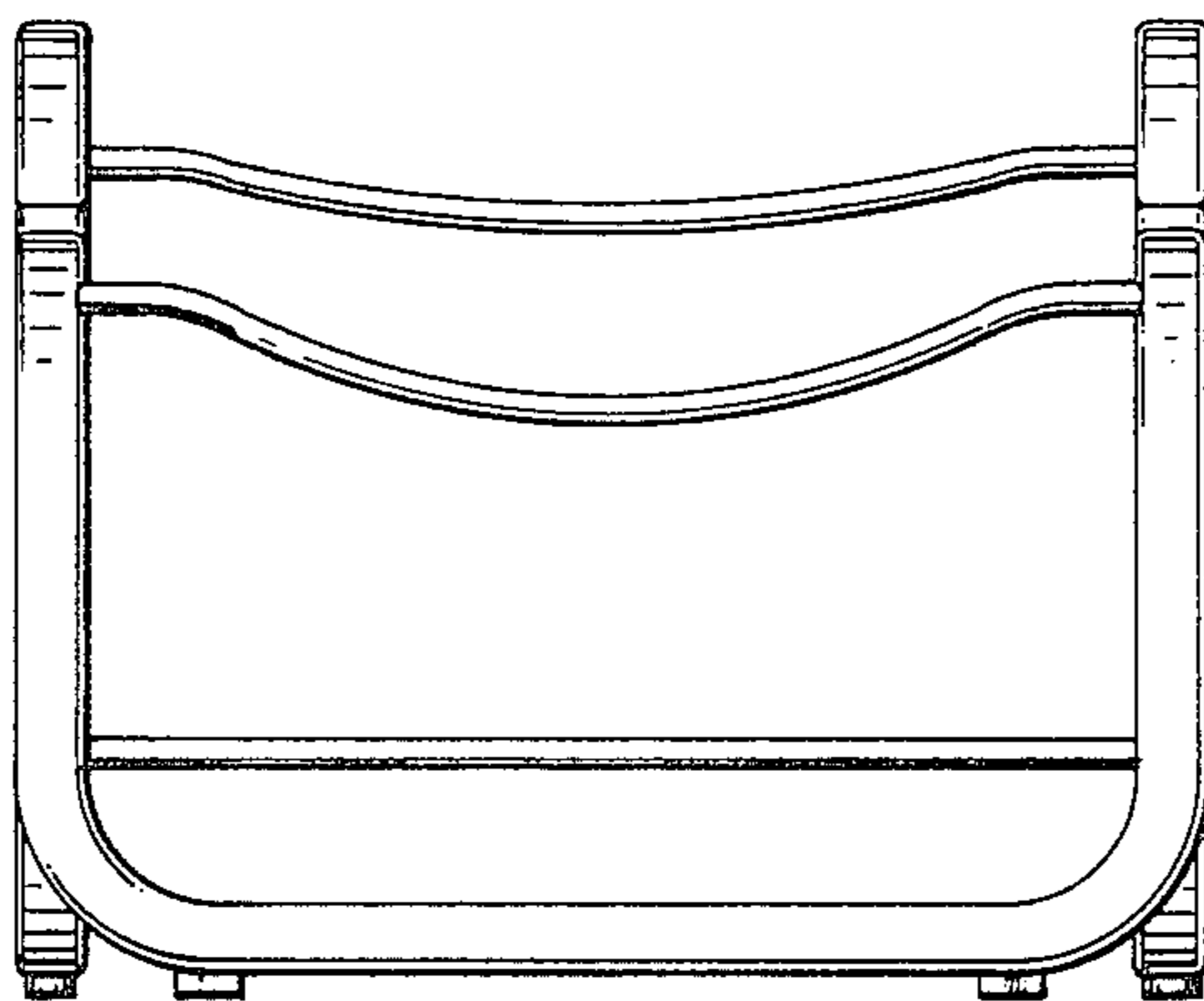


Fig_3



Fig_4

Fig_5



Fig_6

